



Inductive safety switches IN4000 Standard Sensor

IN40-D0202K



Model Name > [IN40-D0202K](#)
Part No. > [6027392](#)

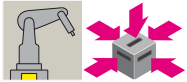


At a glance

- One pulsed output for direct connection of sensors to a single safety controller
- IP 67 or IP 69K enclosure rating
- Response range of up to 15 mm
- LED status indicator
- Up to performance level PL e / Cat. 4 (EN ISO 13849)
- Safe series connection of sensors possible

Your benefits

- Fast diagnostics via LED status indicator
- Cascadability of up to 9 sensors saves costs
- Long service life due to durable and low-maintenance design
- Just one safety switch in conjunction with a suitable safety module makes it possible to solve applications up to PL e and Cat. 4 (EN ISO 13849)
- The devices are easy to clean, making them suitable for contaminated areas or environments with strict hygiene standards



Technical data

| | |
|--|---|
| Sensor principle: | Inductive |
| Safety integrity level: | SIL3 (IEC 61508) |
| Category: | Category 4 (EN ISO 13849) |
| Performance level: | PL e |
| PFHd: | 1.33 * 1E-09 |
| TM (mission time):: | 10 a (EN ISO 13849) ^{1) 2)} 20 a (EN ISO 13849) |
| Housing material: | V4A (housing), PEEK (Cover) |
| Enclosure rating: | IP 69K (IEC 60529) |
| Protection class: | III |
| Ambient operating temperature from ... to: | 0 °C ... 70 °C |
| Connection type: | Connector |
| Size of the cable gland: | M12 |
| Type of output: | Semiconductor, pulsed |
| Number of safe outputs: | 1 |
| Safe switch on distance Sao: | 12 mm |
| Status display: | ✓ |
| Housing: | Cylindrical |

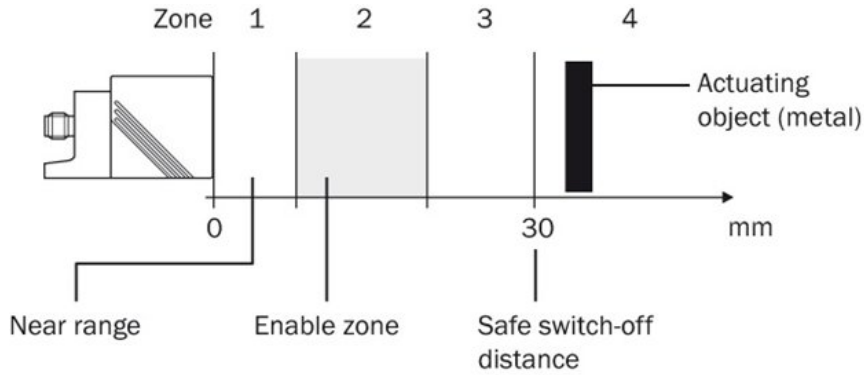
Dimensions: M30 x 80 mm

Installation type: Non-flush

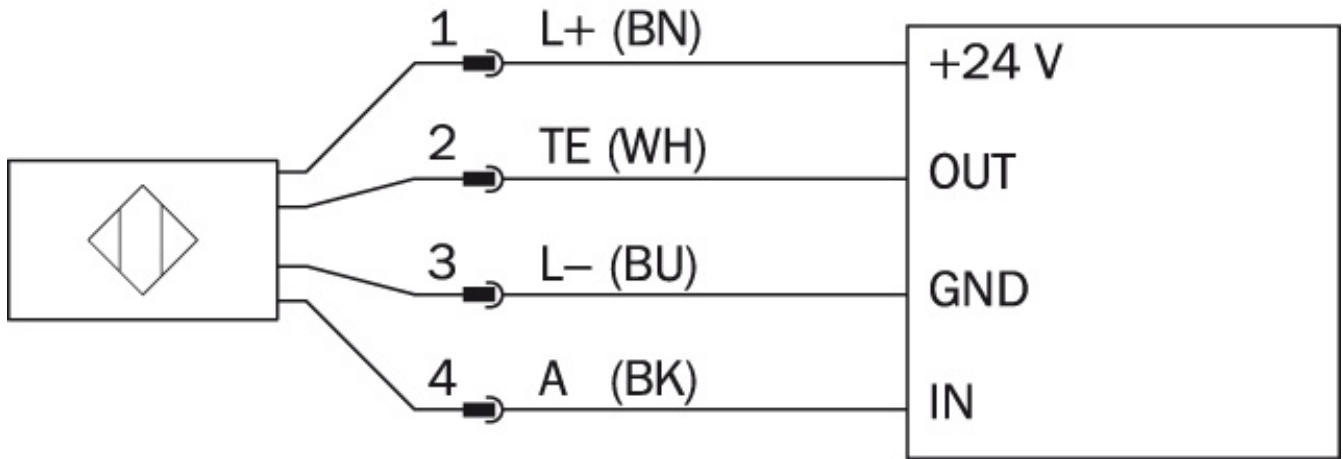
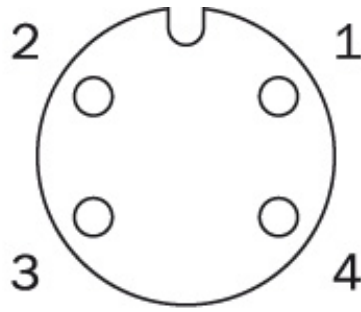
Weight: 0.13 kg

1) At 0 °C ... +70 °C and 5 % ... 95 % relative air humidity 2) At +10 °C ... +40 °C and 5 % ... 70 % relative air humidity

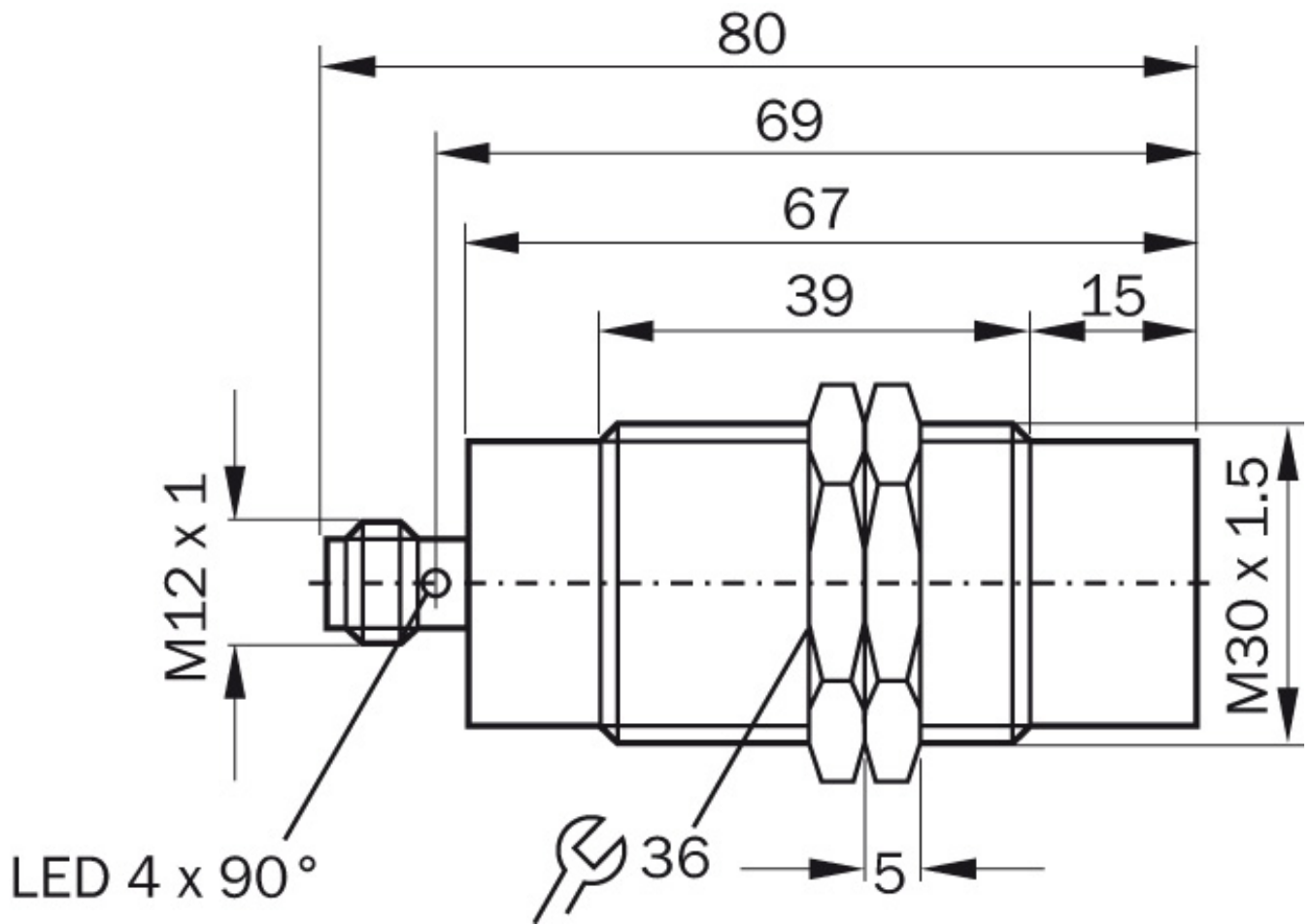
Response range



Connection diagram



Dimensional drawing



Australia

Phone +61 3 9457 0600
1800 334 802 – tollfree
E-Mail sales@sick.com.au

Belgium/Luxembourg

Phone +32 (0)2 466 55 66
E-Mail info@sick.be

Brasil

Phone +55 11 3215-4900
E-Mail sac@sick.com.br

Canada

Phone +1 905 771 14 44
E-Mail information@sick.com

Ceská Republika

Phone +420 2 57 91 18 50
E-Mail sick@sick.cz

China

Phone +86 4000 121 000
E-Mail info.china@sick.net.cn
Phone +852-2153 6300
E-Mail ghk@sick.com.hk

Danmark

Phone +45 45 82 64 00
E-Mail sick@sick.dk

Deutschland

Phone +49 211 5301-301
E-Mail kundenservice@sick.de

España

Phone +34 93 480 31 00
E-Mail info@sick.es

France

Phone +33 1 64 62 35 00
E-Mail info@sick.fr

Great Britain

Phone +44 (0)1727 831121
E-Mail info@sick.co.uk

India

Phone +91-22-4033 8333
E-Mail info@sick-india.com

Israel

Phone +972-4-6801000
E-Mail info@sick-sensors.com

Italia

Phone +39 02 27 43 41
E-Mail info@sick.it

Japan

Phone +81 (0)3 3358 1341
E-Mail support@sick.jp

Magyarország

Phone +36 1 371 2680
E-Mail office@sick.hu

Nederlands

Phone +31 (0)30 229 25 44
E-Mail info@sick.nl

Norge

Phone +47 67 81 50 00
E-Mail austefjord@sick.no

Österreich

Phone +43 (0)22 36 62 28 8-0
E-Mail office@sick.at

Polska

Phone +48 22 837 40 50
E-Mail info@sick.pl

România

Phone +40 356 171 120
E-Mail office@sick.ro

Russia

Phone +7-495-775-05-30
E-Mail info@sick.ru

Schweiz

Phone +41 41 619 29 39
E-Mail contact@sick.ch

Singapore

Phone +65 6744 3732
E-Mail admin@sicksgp.com.sg

Slovenija

Phone +386 (0)1-47 69 990
E-Mail office@sick.si

South Africa

Phone +27 11 472 3733
E-Mail info@sickautomation.co.za

South Korea

Phone +82 2 786 6321/4
E-Mail info@sickkorea.net

Suomi

Phone +358-9-25 15 800
E-Mail sick@sick.fi

Sverige

Phone +46 10 110 10 00
E-Mail info@sick.se

Taiwan

Phone +886-2-2375-6288
E-Mail sales@sick.com.tw

Türkiye

Phone +90 (216) 528 50 00
E-Mail info@sick.com.tr

United Arab Emirates

Phone +971 (0) 4 8865 878
E-Mail info@sick.ae

USA/México

Phone +1(952) 941-6780
1 800-325-7425 – tollfree
E-Mail info@sickusa.com

More representatives and agencies
at www.sick.com