

TWDNOZ485T

optional serial interface module - for PLC Twido - RS 485 - screw terminal block



Main

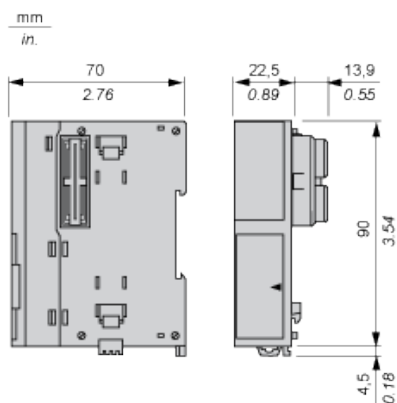
Range of product	Twido
Accessory / separate part category	Separate parts
Accessory / separate part type	Module
Accessory / separate part designation	Module with integrated serial link adaptor
Product compatibility	TWDLMDA20DRT TWDLMDA20DTK TWDLMDA20DUK TWDLMDA40DTK TWDLMDA40DUK
Accessory / separate part destination	Modular base controller
Communication port support	RS485
Electrical connection	Screw terminal

Complementary

Product weight	0.085 kg
----------------	----------

Environment

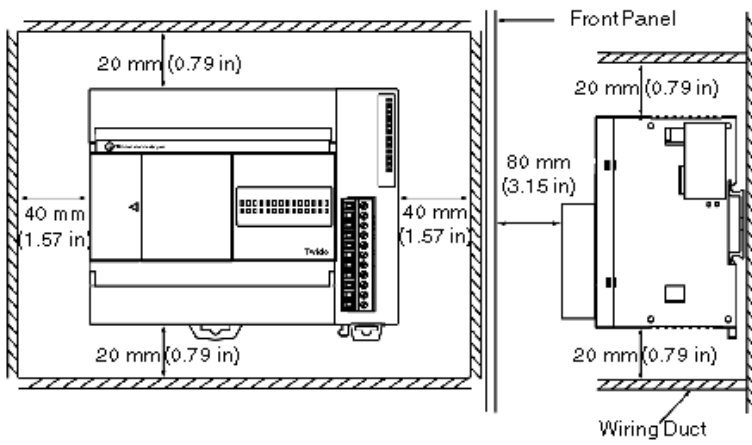
Dimensions



Minimum Clearances

For a Compact Base and Expansion I/O Modules

The information provided in this documentation contains general descriptions and/or technical characteristics of the products contained herein. This documentation is not intended as a substitute for and is not to be used for determining suitability or reliability of these products for specific user applications. It is the duty of any such user or integrator to perform the appropriate and complete risk analysis, evaluation and testing of the products with respect to the relevant specific application or use thereof. Neither Schneider Electric Industries SAS nor any of its affiliates or subsidiaries shall be responsible or liable for misuse of the information contained herein.



For a Modular Base and Expansion I/O Modules

