

Main

Commercial Status	Commercialised
Range of product	Twido
Accessory / separate part category	Separate parts
Accessory / separate part type	Module
Accessory / separate part designation	Module with integrated serial link adaptor
Product compatibility	TWDLMDA20DRT TWDLMDA20DTK TWDLMDA20DUK TWDLMDA40DTK TWDLMDA40DUK
Accessory / separate part destination	Modular base controller
Communication port support	RS485
Electrical connection	1 connector

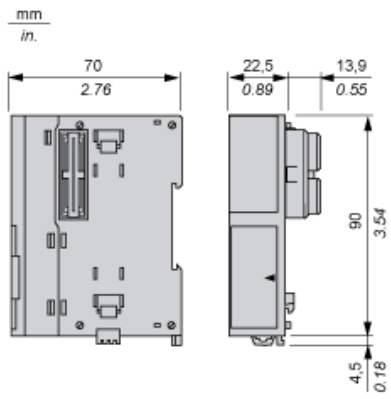
Complementary

Connector type	Mini DIN
Pin number	8
Product weight	0.085 kg

Contractual warranty

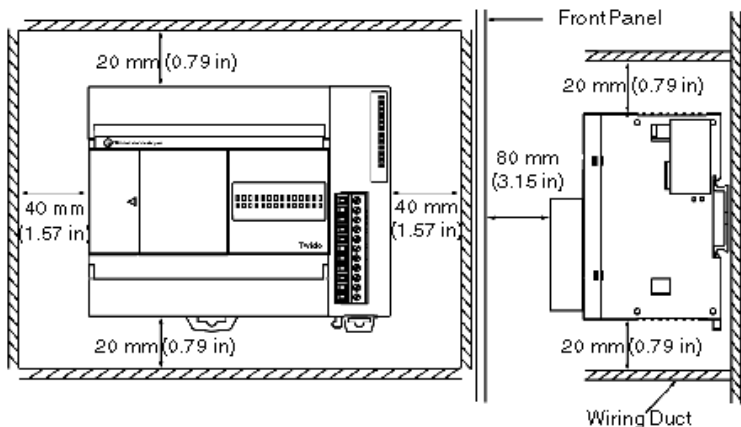
Period	18 months
--------	-----------

Dimensions



Minimum Clearances

For a Compact Base and Expansion I/O Modules



For a Modular Base and Expansion I/O Modules

