

Main

Commercial Status	Commercialised
Range of product	Twido
Accessory / separate part category	Adaptation accessories
Accessory / separate part type	Adaptor
Accessory / separate part designation	Serial interface adaptor
Product compatibility	TWDLCAA16DRF TWDLCAA24DRF TWDLCAA40DRF TWDLCAE40DRF TWDLCA16DRF TWDLCA24DRF TWDLCA40DRF TWDLCDE40DRF TWDLMDA20DRT TWDLMDA20DTK TWDLMDA20DUK TWDLMDA40DTK TWDLMDA40DUK TWDXCPODM
Accessory / separate part destination	Base controller Integrated display module
Communication port support	RS485
Electrical connection	1 connector

Complementary

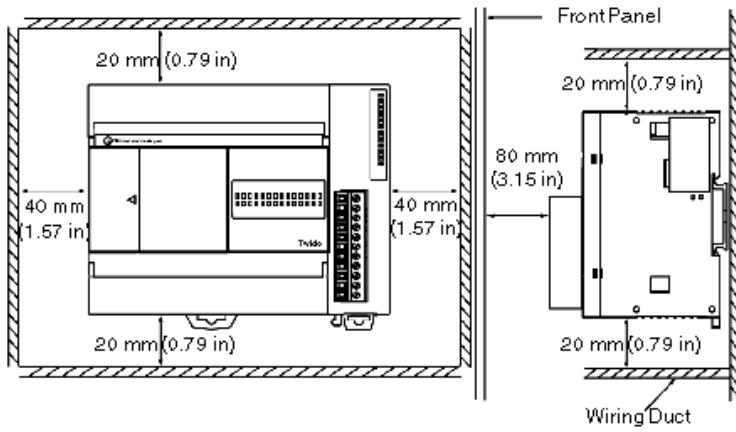
Connector type	Mini DIN
Product weight	0.01 kg

Contractual warranty

Period	18 months
--------	-----------

Minimum Clearances

For a Compact Base and Expansion I/O Modules



For a Modular Base and Expansion I/O Modules

