

Main

Commercial Status	Commercialised
Range of product	Modicon M238 logic controller
Product or component type	Discrete I/O module
Discrete input number	16
Discrete input voltage	24 V
Discrete input voltage type	DC
Discrete output number	8
Discrete output type	Relay

Complementary

Range compatibility	Advantys OTB Twido
Input voltage limits	20.4...28.8 V
Discrete input logic	Sink or source
Discrete input current	7 mA
Input impedance	3.4 kOhm
Discrete output function	1 NO
Current per channel	2...5 A
Current per output common	7 A
Number of common point	1 for input 2 for output
Contact resistance	<= 45 mOhm
Response time	4 ms at state 1 input 4 ms at state 0 input <= 5 ms from state 1 to state 0 output <= 10 ms from state 0 to state 1 output
Minimum switching current	0.1 mA 0.1 V DC
Isolation between channels	None
Isolation between channels and internal logic	500 V for 1 minute (input) 2300 V for 1 minute (output)
Isolation between input channels and output channels	1500 V for 1 minute
Isolation between output channels group	1500 V for 1 minute
Mechanical durability	20000000 cycles
Electrical durability	100000 cycles 2 A 30 V DC resistive 100000 cycles 2 A 240 V AC resistive 100000 cycles 1 A DC-13 24 V DC inductive (L/R = 7 ms) 100000 cycles 1 A AC-15 240 V AC cos phi = 0.7 inductive 100000 cycles 0.5 A AC-15 240 V AC cos phi = 0.35 inductive
Current consumption	65 mA 5 V DC at state 1 for all input/output 45 mA 24 V DC at state 1 for all input/output
Local signalling	1 display block
Electrical connection	1 spring terminal block
Mounting support	35 mm symmetrical DIN rail
Product weight	0.14 kg

Environment

Depth	70 mm
Height	90 mm
Width	42.9 mm

RoHS compliance

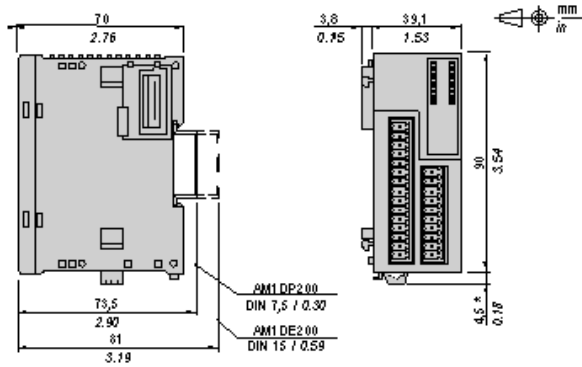
RoHS EUR status	Compliant
RoHS EUR conformity date(YYWW)	0830

Contractual warranty

Period	18 months
--------	-----------

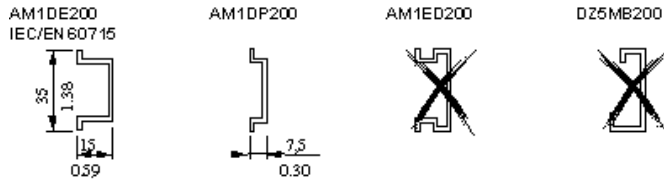
Digital Mixed I/O Module (24-channel)

Dimensions



NOTE: * 8.5 mm (0.33 in) when the clamp is pulled out.

DIN Rail Mounting

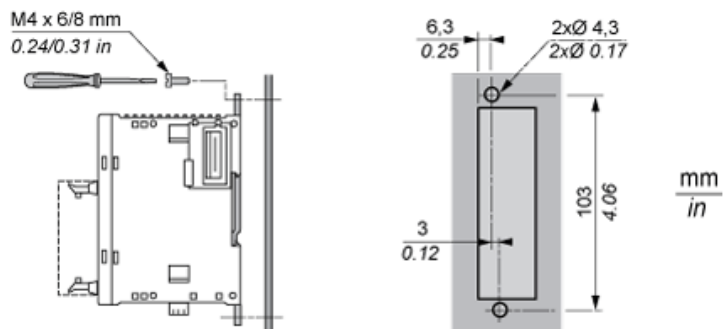


Rail depth	Catalogue part number
15 mm (0.59 in.)	AM1DE200
7,5 mm (0.30 in.)	AM1DP200

NOTE: Do not use AM1ED200 and DZ5MB200

Module Mounting on a Panel Surface

Mounting Hole Layout



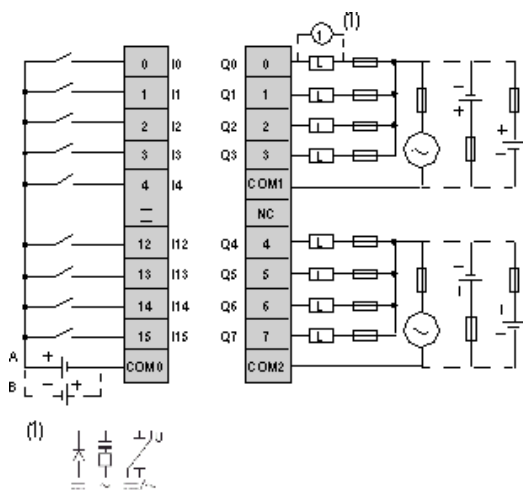
Wiring Requirements

Cable Types and Wire Sizes for Removable Screw Terminal Block

mm ²	0,14...1,5	0,25...0,5	0,25...1,5	0,14...0,5	0,14...0,75	0,25...0,34	0,5
AWG	26...16	24...20	24...16	26...20	26...18	24...22	20

Digital Mixed I/O Module (24-channel)

Wiring Diagram



- A Sink wiring (positive logic)
- B Source wiring (negative logic)

Fuse value for the load: 2 A

Fuse value for the power supply: 7 A