

Main

Commercial Status	Commercialised
Range of product	Modicon M238 logic controller
Product or component type	Discrete output module
Discrete output number	16
Discrete output type	Transistor
Discrete output voltage	24 V
Discrete output logic	Source
Discrete output current	0.4 A

Complementary

Range compatibility	Advantys OTB Twido
Output voltage limits	20.4...28.8 V
Current per channel	0.48 A
Current per output common	2 A
Number of common point	1
Response time	450 µs from state 1 to state 0 450 µs from state 0 to state 1
[Ures] residual voltage	<= 1 V at state 1
Leakage current	0.1 mA
Inductive load	<= 10 mH
Tungsten load	<= 9.6 W
Short-circuit protection	With automatic reactivaton
Overload protection	With automatic reactivaton
Isolation between channels	None
Isolation between channels and internal logic	500 V for 1 minute
Current consumption	20 mA 24 V DC at state 1 for all output 15 mA 5 V DC at state 1 for all output
Local signalling	2 display blocks
Electrical connection	1 connector HE10
Mounting support	35 mm symmetrical DIN rail
Product weight	0.07 kg

Environment

Depth	81.3 mm
Height	90 mm
Width	21.4 mm

RoHS compliance

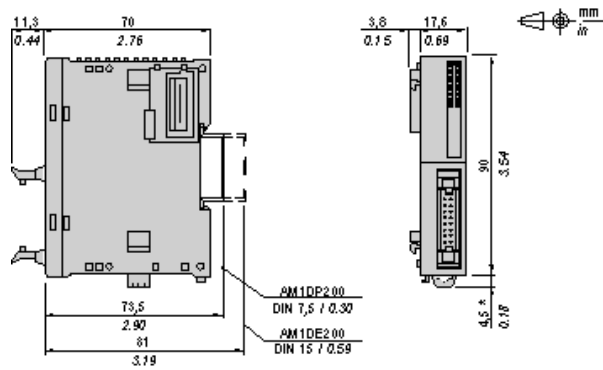
RoHS EUR status	Compliant
RoHS EUR conformity date(YYWW)	0830

Contractual warranty

Period	18 months
--------	-----------

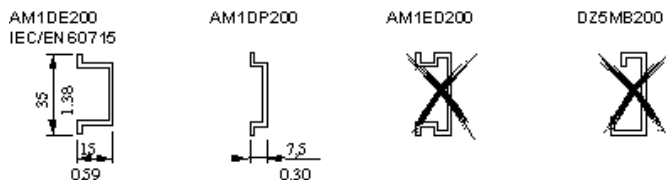
Digital Transistor Output Module (16-channel, Source)

Dimensions



NOTE: * 8.5 mm (0.33 in) when the clamp is pulled out.

DIN Rail Mounting

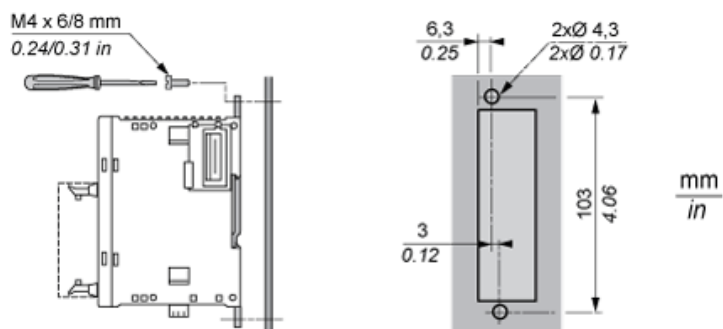


Rail depth	Catalogue part number
15 mm (0.59 in.)	AM1DE200
7,5 mm (0.30 in.)	AM1DP200

NOTE: Do not use AM1ED200 and DZ5MB200

Module Mounting on a Panel Surface

Mounting Hole Layout



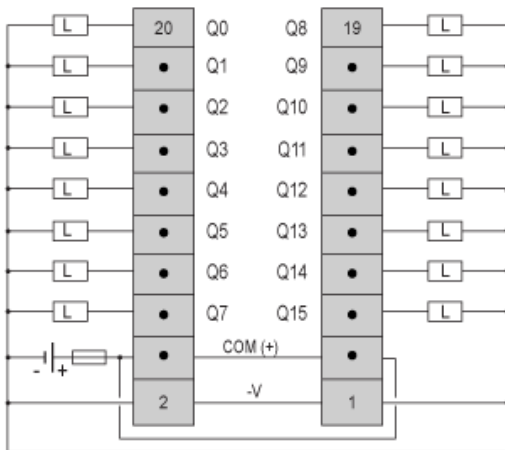
Wiring Requirements

Cable Types and Wire Sizes for Removable Screw Terminal Block

	mm ²	0,14...1,5	0,25...0,5	0,25...1,5	0,14...0,5	0,14...0,75	0,25...0,34	0,5
	AWG	26...16	24...20	24...16	26...20	26...18	24...22	20

Digital Transistor Output Module (16-channel, Source)

Wiring Diagram



L Load

Fuse value for the load: 0.4 A

Fuse value for the power supply: 2 A