

## Main

Commercial Status	Commercialised
Range of product	Modicon M238 logic controller
Product or component type	Discrete output module
Discrete output number	8
Discrete output type	Transistor
Discrete output voltage	24 V
Discrete output logic	Source
Discrete output current	0.5 A

## Complementary

Range compatibility	Advantys OTB Twido
Output voltage limits	20.4...28.8 V
Current per channel	0.6 A
Current per output common	4 A
Number of common point	1
Response time	450 µs from state 1 to state 0 450 µs from state 0 to state 1
[Ures] residual voltage	<= 0.4 V at state 1
Leakage current	0.1 mA
Inductive load	<= 10 mH
Tungsten load	<= 12 W
Short-circuit protection	With automatic reactivaton
Overload protection	With automatic reactivaton
Isolation between channels	None
Isolation between channels and internal logic	500 V for 1 minute
Current consumption	20 mA 24 V DC at state 1 for all output 10 mA 5 V DC at state 1 for all output
Local signalling	1 display block
Electrical connection	1 removable screw terminal block
Mounting support	35 mm symmetrical DIN rail
Product weight	0.085 kg

## Environment

Depth	84.6 mm
Height	90 mm
Width	27.3 mm

## RoHS compliance

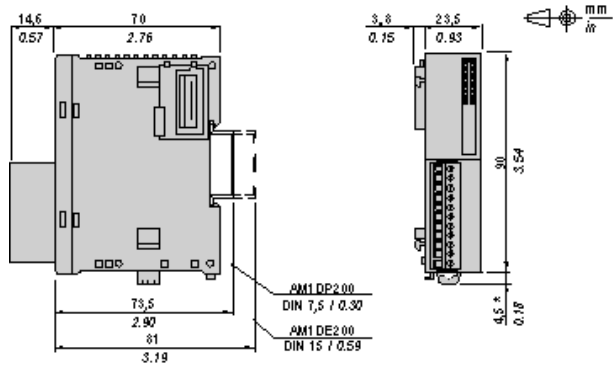
RoHS EUR status	Compliant
RoHS EUR conformity date(YYWW)	0830

## Contractual warranty

Period	18 months
--------	-----------

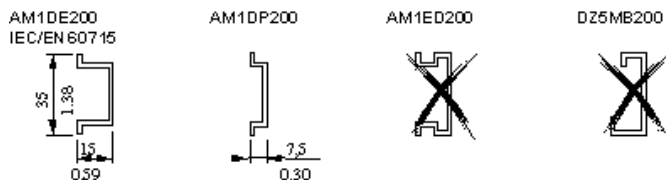
Digital Transistor Output Module (8-channel, Source)

Dimensions



NOTE: \* 8.5 mm (0.33 in) when the clamp is pulled out.

DIN Rail Mounting

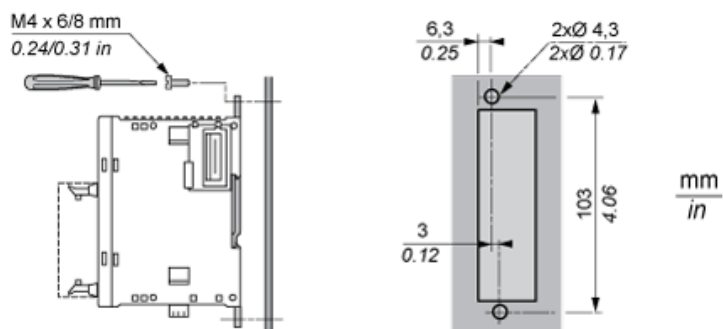


Rail depth	Catalogue part number
15 mm (0.59 in.)	AM1DE200
7,5 mm (0.30 in.)	AM1DP200

NOTE: Do not use AM1ED200 and DZ5MB200

Module Mounting on a Panel Surface

Mounting Hole Layout



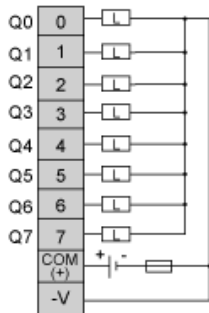
Wiring Requirements

Cable Types and Wire Sizes for Removable Screw Terminal Block

 9 0.35 mm in.							
	mm <sup>2</sup>	0,14...1,5	0,25...0,5	0,25...1,5	0,14...0,5	0,14...0,75	0,25...0,34
AWG	26...16	24...20	24...16	26...20	26...18	24...22	20

Digital Transistor Output Module (8-channel, Source)

Wiring Diagram



L Load

Fuse value for the load: 4 A