

### Main

Commercial Status	Commercialised
Range of product	Modicon M238 logic controller
Product or component type	Discrete output module
Discrete output number	8
Discrete output type	Relay

### Complementary

Range compatibility	Advantys OTB Twido
Discrete output function	1 NO
Current per channel	2...5 A
Current per output common	7 A
Number of common point	2
Contact resistance	<= 45 mOhm
Response time	<= 5 ms from state 1 to state 0 input <= 10 ms from state 0 to state 1 input
Minimum switching current	0.1 mA 0.1 V DC
Isolation between channels	1500 V for 1 minute
Isolation between channels and internal logic	2300 V for 1 minute
Isolation between output channels group	1500 V for 1 minute
Mechanical durability	20000000 cycles
Electrical durability	100000 cycles 2 A 30 V DC resistive 100000 cycles 2 A 240 V AC resistive 100000 cycles 1 A DC-13 24 V DC inductive (L/R = 7 ms) 100000 cycles 1 A AC-15 240 V AC cos phi = 0.7 inductive 100000 cycles 0.5 A AC-15 240 V AC cos phi = 0.35 inductive
Current consumption	40 mA 24 V DC at state 1 for all output 30 mA 5 V DC at state 1 for all output
Local signalling	1 display block
Electrical connection	1 removable screw terminal block
Mounting support	35 mm symmetrical DIN rail
Product weight	0.11 kg

### Environment

Depth	84.6 mm
Height	90 mm
Width	27.3 mm

### RoHS compliance

RoHS EUR status	Compliant
RoHS EUR conformity date(Y Y W W)	0830

## Contractual warranty

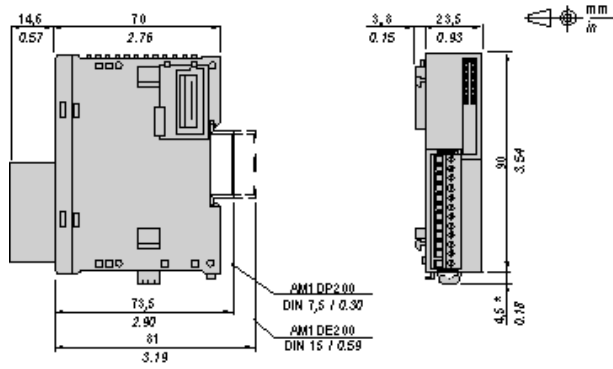
---

Period	18 months
--------	-----------

---

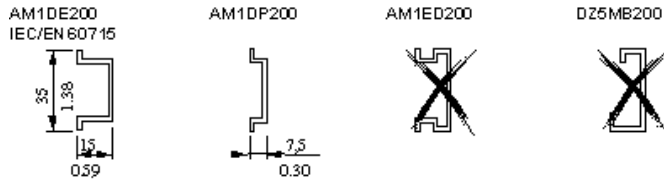
Digital Relay Output Module (8-contact)

Dimensions



NOTE: \* 8.5 mm (0.33 in) when the clamp is pulled out.

DIN Rail Mounting

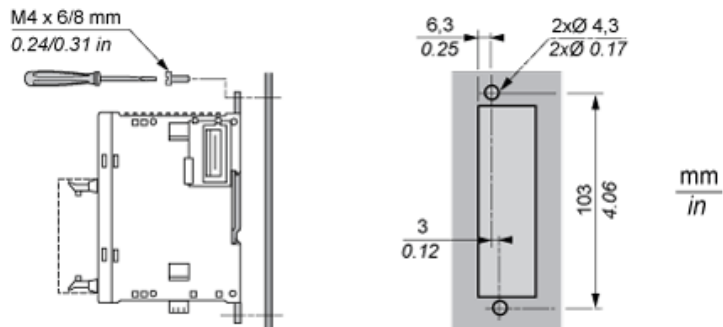


Rail depth	Catalogue part number
15 mm (0.59 in.)	AM1DE200
7,5 mm (0.30 in.)	AM1DP200

NOTE: Do not use AM1ED200 and DZ5MB200

Module Mounting on a Panel Surface

Mounting Hole Layout



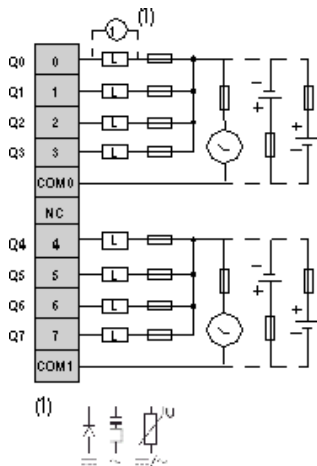
Wiring Requirements

Cable Types and Wire Sizes for Removable Screw Terminal Block

mm <sup>2</sup>	0,14...1,5	0,25...0,5	0,25...1,5	0,14...0,5	0,14...0,75	0,25...0,34	0,5
AWG	26...16	24...20	24...16	26...20	26...18	24...22	20

Digital Relay Output Module (8-contact)

Wiring Diagram



L Load

Fuse value for the load: 7 A