

Main

Commercial Status	Commercialised
Range of product	Modicon M238 logic controller
Product or component type	Analog output module
Analogue output number	1
Analogue output type	Voltage 0...10 V Current 4...20 mA

Complementary

Range compatibility	Advantys OTB Twido
Analogue output resolution	12 bits
LSB value	4.8 μ A current current 2.5 mV voltage voltage
Load type	Resistive
Load impedance ohmic	\geq 2000 Ohm voltage \leq 300 Ohm current
Stabilisation time	10 ms
Conversion time	10 ms + 1 controller cycle time
Measurement error	+/- 0.2 % of full scale 25 °C
Temperature coefficient	+/-0.015 %FS/°C
Repeat accuracy	+/-0.5 %FS
Non-linearity	+/- 0.2 %FS
Output ripple	\leq 1 LSB
Total error	+/-1 %FS
Type of cable	Twisted shielded cable
Insulation between channel and internal logic	Photocoupler
Supply	External supply
[Us] rated supply voltage	24 V DC
Supply voltage limits	19.2...30 V
Electrical connection	1 removable screw terminal block
Current consumption	50 mA 5 V DC internal 40 mA 24 V DC external
Product weight	0.085 kg

Environment

Dielectric strength	500 V between the I/O and the external supply circuit 500 V between the I/O and internal logic
Width	23.5 mm
Depth	70 mm
Height	90 mm

RoHS compliance

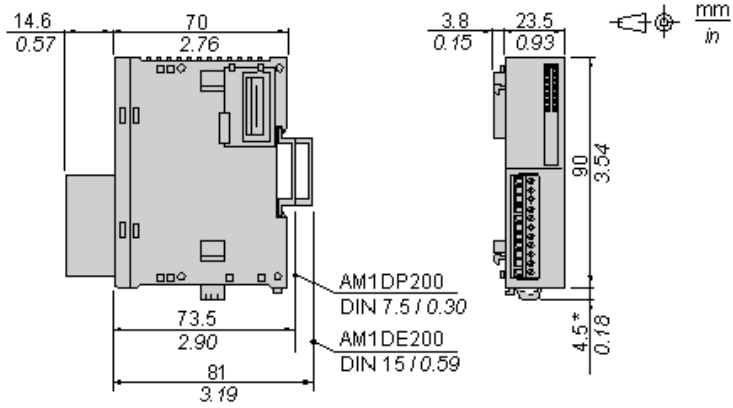
RoHS EUR status	Compliant
RoHS EUR conformity date(Y Y W W)	0830

Contractual warranty

Period	18 months
--------	-----------

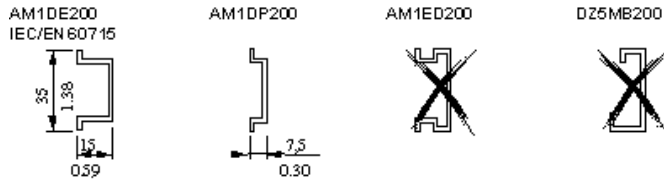
Analog Output Module (1-channel, Voltage/Current)

Dimensions



NOTE: * 8.5 mm (0.33 in) when the clip-on lock is pulled out.

DIN Rail Mounting

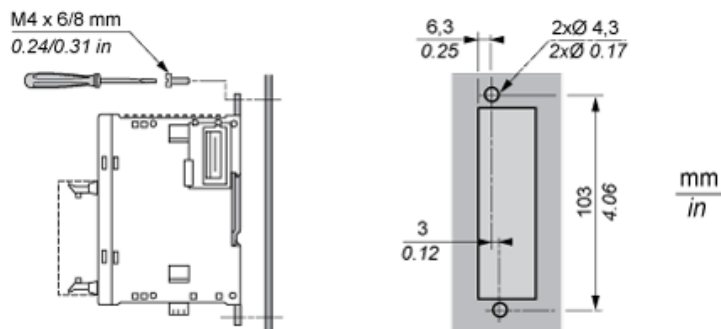


Rail depth	Catalogue part number
15 mm (0.59 in.)	AM1DE200
7,5 mm (0.30 in.)	AM1DP200

NOTE: Do not use AM1ED200 and DZ5MB200

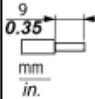

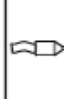
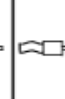
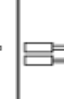



Module Mounting on a Panel Surface

Mounting Hole Layout



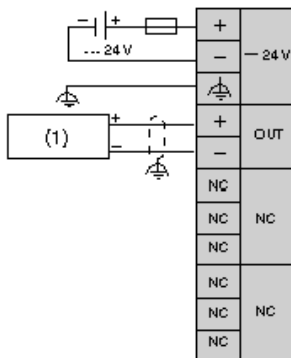
Wiring Requirements

Cable Types and Wire Sizes for Removable Screw Terminal Block

							
	mm ²	0,14...1,5	0,25...0,5	0,25...1,5	0,14...0,5	0,14...0,75	0,25...0,34
AWG	26...16	24...20	24...16	26...20	26...18	24...22	20

Analog Output Module (1-channel, Voltage/Current)

Wiring Diagram



(1) Voltage/current preactuator