

### Main

Commercial Status	Commercialised
Range of product	Modicon M238 logic controller
Product or component type	Analog input module
Analogue input number	8
Analogue input type	Voltage 0...10 V non differential Current 4...20 mA non differential
Cross talk	<= 1 LSB

### Complementary

Range compatibility	Advantys OTB Twido
Analogue input resolution	10 bits
LSB value	9.7 mV voltage 19.5 µA current
Permissible continuous overload	40 mA current 13 V voltage
Input impedance	470 Ohm current >= 10 kOhm voltage
Sampling duration	<= 160 ms
Acquisition period	160 ms per channel + 1 controller cycle time
Measurement error	+/- 0.2 % of full scale 25 °C
Temperature coefficient	+/-0.01 %FS/°C
Repeat accuracy	+/- 0.4 %FS
Non-linearity	+/- 0.002 %FS
Total error	+/-1 %FS
Type of cable	Shielded cable
Insulation between channel and internal logic	Photocoupler
Supply	External supply
[Us] rated supply voltage	24 V DC
Supply voltage limits	20.4...28.8 V
Electrical connection	1 removable screw terminal block sensors 1 removable screw terminal block power supply
Current consumption	60 mA 5 V DC internal 45 mA 24 V DC external
Product weight	0.085 kg

### Environment

Dielectric strength	2500 V between the I/O and internal logic
Width	23.5 mm
Depth	70 mm
Height	90 mm

### RoHS compliance

RoHS EUR status	Compliant
RoHS EUR conformity date(YYYWW)	0840

## Contractual warranty

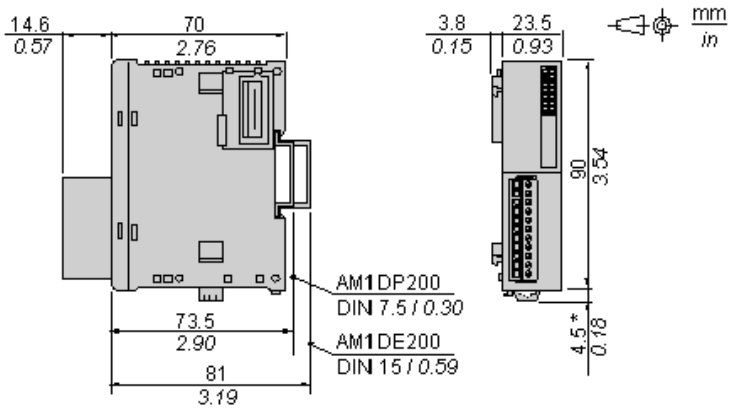
---

Period	18 months
--------	-----------

---

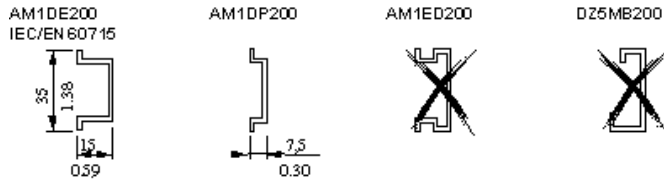
Analog Input Module (8-channel, Voltage/Current)

Dimensions



NOTE: \* 8.5 mm (0.33 in) when the clip-on lock is pulled out.

DIN Rail Mounting

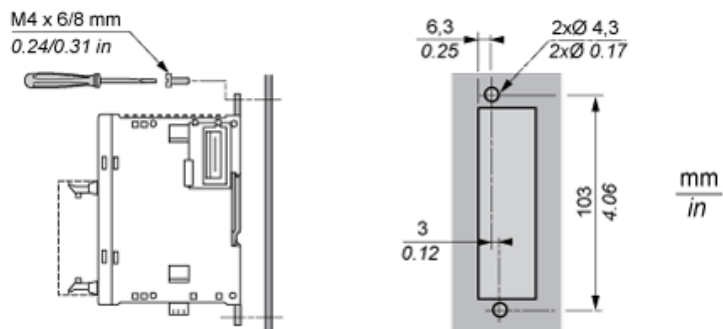


Rail depth	Catalogue part number
15 mm (0.59 in.)	AM1DE200
7,5 mm (0.30 in.)	AM1DP200

NOTE: Do not use AM1ED200 and DZ5MB200

Module Mounting on a Panel Surface

Mounting Hole Layout



Wiring Requirements

Cable Types and Wire Sizes for Removable Screw Terminal Block

mm <sup>2</sup>	0,14...1,5	0,25...0,5	0,25...1,5	0,14...0,5	0,14...0,75	0,25...0,34	0,5
AWG	26...16	24...20	24...16	26...20	26...18	24...22	20

Analog Input Module (8-channel, Voltage/Current)

Wiring Diagram

