

Main

Commercial Status	Commercialised
Range of product	Twido
Product or component type	Compact base controller
Concept	Transparent Ready
Discrete I/O number	40
Discrete input number	24
Discrete input voltage	24 V
Discrete input voltage type	DC
Discrete output number	2 for transistor 14 for relay
[Us] rated supply voltage	24 V DC
Number of I/O expansion module	7
Use of slot	Memory cartridge
Data backed up	Internal RAM (lithium) 30 days, charging time = 10 h, battery life = 10 yr
Integrated connection type	Non isolated serial link mini DIN, Modbus/character mode master/slave RTU/ASCII (RS485) half duplex, 38,4 kbit/s Ethernet TCP/IP RJ45, , 10/100 Mbit/s, 1 twisted pair transparent ready class A10 Serial link interface adaptor (RS232C/RS485) Power supply
Complementary function	Event processing PID

Complementary

Discrete input logic	Sink or source
Input voltage limits	20.4...26.4 V
Discrete input current	7 mA for I0.8 to I0.23 7 mA for I0.2 to I0.5 11 mA for I0.6 to I0.7 11 mA for I0.0 to I0.1
Input impedance	3400 Ohm for I0.8 to I0.23 3400 Ohm for I0.2 to I0.5 2100 Ohm for I0.6 to I0.7 2100 Ohm for I0.0 to I0.1
Filter time	40 µs + programmed filter time for I0.6 to I0.23 at state 1 40 µs + programmed filter time for I0.0 to I0.5 at state 0 35 µs + programmed filter time for I0.0 to I0.5 at state 1 150 µs + programmed filter time for I0.6 to I0.23 at state 0
Insulation between channel and internal logic	1500 Vrms for 1 minute
Insulation resistance between channel	None
Minimum load	0.1 mA
Contact resistance	<= 30000 µOhm
Load current	2 A at 30 V DC resistive load, operating rate = 30 cyc/mn for relay outputs 2 A at 30 V DC inductive load, operating rate = 30 cyc/mn for relay outputs 2 A at 240 V AC resistive load, operating rate = 30 cyc/mn for relay outputs 2 A at 240 V AC inductive load, operating rate = 30 cyc/mn for relay outputs
Mechanical durability	>= 20000000 cycles for relay outputs
Electrical durability	>= 100000 cycles for relay outputs

The information provided in this documentation contains general descriptions and/or technical characteristics of the performance of the products contained herein. This documentation is not intended as a substitute for and is not to be used for determining suitability or reliability of these products for specific user applications. It is the duty of any such user or integrator to perform the appropriate and complete risk analysis, evaluation and testing of the products with respect to the relevant specific application or use thereof. Neither Schneider Electric Industries SAS nor any of its affiliates or subsidiaries shall be responsible or liable for misuse of the information contained herein.

Current consumption	90 mA at 5 V DC at state 1 5 mA at 24 V DC at state 0 240 mA at 5 V DC state 1 + input ON 170 mA at 5 V DC at state 0 128 mA at 24 V DC state 1 + input ON 128 mA at 24 V DC at state 1
I/O connection	Non-removable screw terminal block
Input/Output number	<= 264 with HE-10 connector with I/O expansion module <= 208 with spring terminal block with I/O expansion module <= 152 with removable screw terminal block with I/O expansion module
Supply voltage limits	20.4...28.8 V
Inrush current	<= 35 A
Protection type	Power protection with internal fuse
Power consumption	<= 17.2 W
Insulation resistance	> 10 MOhm at 500 V, between supply and earth terminals > 10 MOhm at 500 V, between I/O and earth terminals
Program memory	3000 instructions
Exact time for 1 K instruction	1 ms
System overhead	0.5 ms
Memory description	Internal RAM, floating, trigonometrical Internal RAM, double words, no floating, no trigonometrical Internal RAM, 3000 internal words, no floating, no trigonometrical Internal RAM, 256 internal bits, no floating, no trigonometrical Internal RAM, 128 timers, no floating, no trigonometrical Internal RAM, 128 counters, no floating, no trigonometrical
Free slots	1
Realtime clock	With, drift: <= 30 s/month, operating time: 30 days
Port Ethernet	10BASE-T/100BASE-TX
Communication service	Modbus messaging Ethernet TCP/IP BOOTP client Ethernet TCP/IP
Positioning functions	PWM/PLS 2 channel(s) at 7 kHz
Counting input number	4 channel(s) at 5000 Hz 16 bits 2 channel(s) at 20000 Hz 32 bits
Analogue adjustment points	1 point adjustable from 0...1023 1 point adjustable from 0 to 511 points
Status LED	1 LED red for module error (ERR) 1 LED per channel green for I/O status 1 LED green for RUN 1 LED green for PWR 1 LED for user pilot light (STAT) 1 LED for Ethernet status (LAN ST) 1 LED for 10 or 100 Mbit/s rate (LACT)
Product weight	0.525 kg

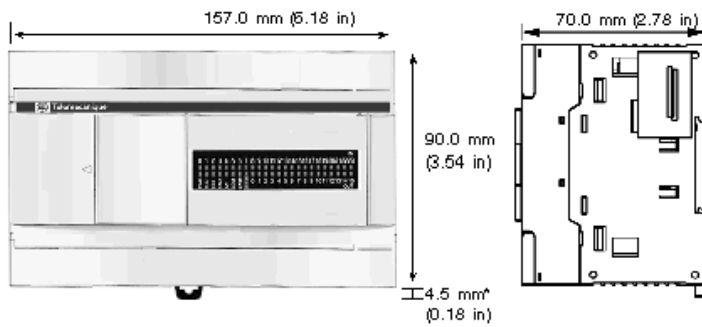
Environment

Immunity to microbreaks	10 ms
Dielectric strength	500 V for 1 minute, between supply and earth terminals 1500 V for 1 minute, between I/O and earth terminals
Product certifications	CSA UL
Marking	CE
Ambient air temperature for operation	0...55 °C
Ambient air temperature for storage	-25...70 °C
Relative humidity	30...95 % without condensation
IP degree of protection	IP20
Operating altitude	0...2000 m
Storage altitude	0...3000 m
Vibration resistance	4 gn, 25...100 Hz mounting on: plate or panel with fixing kit 1.6 mm, 2...25 Hz mounting on: plate or panel with fixing kit 1 gn, 57...150 Hz mounting on: 35 mm symmetrical DIN rail 0.075 mm, 10...57 Hz mounting on: 35 mm symmetrical DIN rail
Shock resistance	15 gn for 11 ms

Contractual warranty

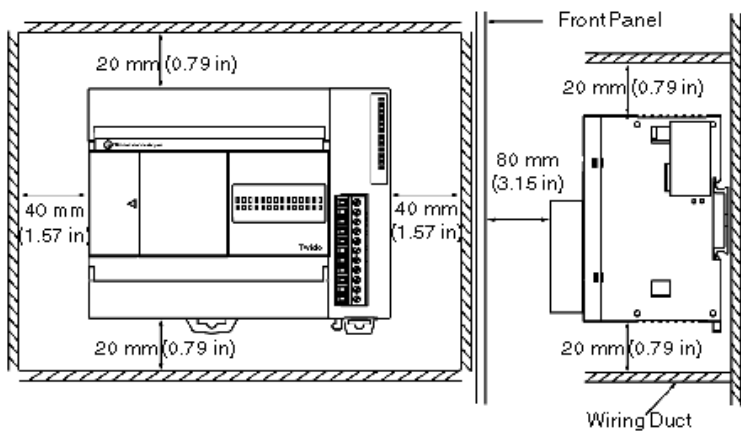
Period	18 months
--------	-----------

Dimensions

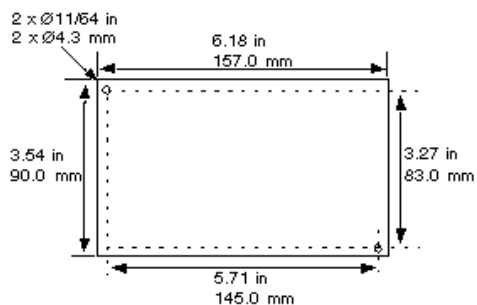


* 8.5 mm (0.33 in) when the clamp is pulled out.

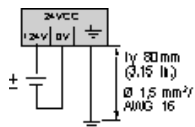
Minimum Clearances for a Compact Base and Expansion I/O Modules



Mounting Hole Layout

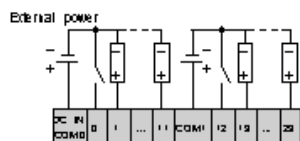


DC Power Supply Wiring Diagram

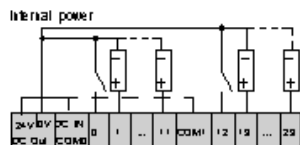


DC Source Inputs Wiring Diagrams

External Power



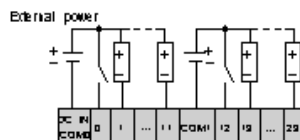
Internal Power



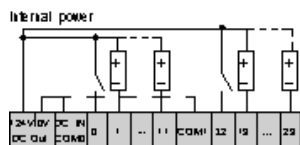
Max current: 400mA.

DC Sink Inputs Wiring Diagrams

External Power

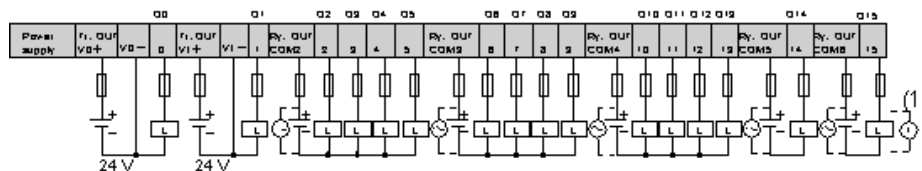



Internal Power



Max current: 400mA.

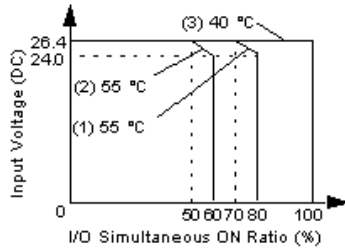
Relay and Transistor Outputs Wiring Diagram



(1) 

Performance Curves

I/O Usage Limits



- (1) Limit for TWDLMDA20DUK and TWDLMDA20DTK
- (2) Limit for TWDLMDA40DUK and TWDLMDA40DTK
- (3) All modular bases