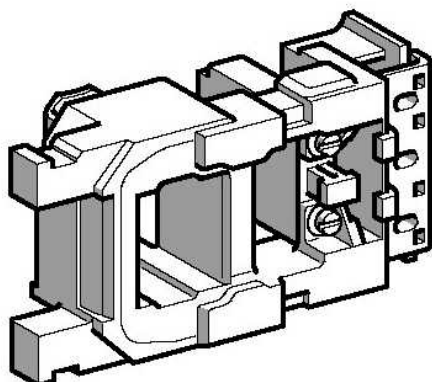


LX9FG240

TeSys F - specific contactor coil - LX9FG - 240 V AC 40...400 Hz low consumption



Main

Commercial Status	Commercialised
Range of product	TeSys F
Product or component type	Specific contactor coil
Device short name	LX9FG
Control circuit type	AC 40...400 Hz low consumption
Control circuit voltage	240 V AC 40...400 Hz
Average resistance	2060 Ohm holding at 20 °C 50.6 Ohm inrush at 20 °C
Inductance of closed circuit	7.22 H
Product compatibility	LC1F185 LC1F225
Operating time	35 ms closing 130 ms opening
Mechanical durability	10 Mcycles
Operating rate	2400 cyc/h at <= 55 °C

Complementary

Coil technology	Without built-in suppressor module
Control circuit voltage limits	0.35...0.55 Uc at 55 °C drop-out 0.85...1.1 Uc at 55 °C operational
Inrush power in VA	950...1180 VA at 20 °C 40...400 Hz
Hold-in power consumption in VA	8.9...10.9 VA at 20 °C 40...400 Hz
Heat dissipation	8...9.8 W

Environment

Ambient air temperature for operation	> -5...55 °C
Product weight	0.55 kg

Contractual warranty

Period	18 months
--------	-----------

The information provided in this documentation contains general descriptions and/or technical characteristics of the performance of the products contained herein. This documentation is not intended as a substitute for and is not to be used for determining suitability or reliability of these products for specific user applications. It is the duty of any such user or integrator to perform the appropriate and complete risk analysis, evaluation and testing of the products with respect to the relevant specific application or use thereof. Neither Schneider Electric Industries SAS nor any of its affiliates or subsidiaries shall be responsible or liable for misuse of the information contained herein.