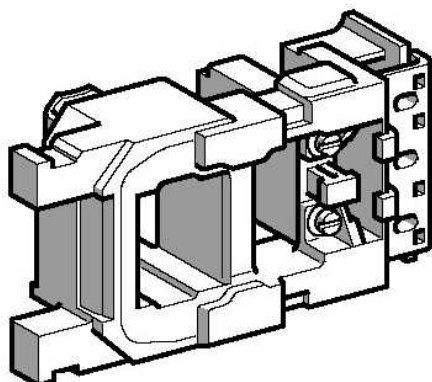


LX1FG380

TeSys F - contactor coil - LX1FG - 380...400V
AC 50 Hz - 460...480 V AC 60 Hz



Main

Commercial Status	Commercialised
Range of product	TeSys F
Product or component type	Contacteur coil
Device short name	LX1FG
Control circuit type	AC 50/60 Hz
Control circuit voltage	460...480 V AC 60 Hz 380...400 V AC 50 Hz
Average resistance	51.3 Ohm at 20 °C
Inductance of closed circuit	7.75 H
Product compatibility	LC1F185 LC1F225
Operating time	7...15 ms opening 20...35 ms closing
Mechanical durability	10 Mcycles
Operating rate	2400 cyc/h at <= 55 °C

Complementary

Coil technology	Without built-in suppressor module
Control circuit voltage limits	0.85...1.1 U _c at 55 °C operational 50/60 Hz 0.35...0.55 U _c at 55 °C drop-out 50/60 Hz
Inrush power in VA	970 VA at 20 °C (cos φ 0.3) 60 Hz 805 VA at 20 °C (cos φ 0.3) 50 Hz
Hold-in power consumption in VA	66 VA at 20 °C (cos φ 0.3) 60 Hz 55 VA at 20 °C (cos φ 0.3) 50 Hz
Heat dissipation	18...24 W at 50/60 Hz

Environment

Ambient air temperature for operation	> -5...55 °C
Product weight	0.55 kg

Contractual warranty

Period	18 months
--------	-----------

The information provided in this documentation contains general descriptions and/or technical characteristics of the performance of the products contained herein. This documentation is not intended as a substitute for and is not to be used for determining suitability or reliability of these products for specific user applications. It is the duty of any such user or integrator to perform the appropriate and complete risk analysis, evaluation and testing of the products with respect to the relevant specific application or use thereof. Neither Schneider Electric Industries SAS nor any of its affiliates or subsidiaries shall be responsible or liable for misuse of the information contained herein.