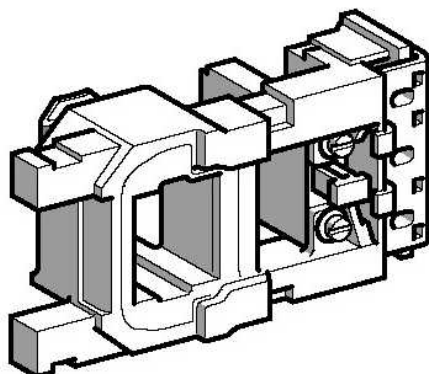


LX1FF220

TeSys F - contactor coil - LX1FF - 220...230 V
AC 50Hz - 265...277 V AC 60 Hz



Main

| | |
|------------------------------|--|
| Commercial Status | Commercialised |
| Range of product | TeSys F |
| Product or component type | Contactor coil |
| Device short name | LX1FF |
| Control circuit type | AC 50/60 Hz |
| Control circuit voltage | 265...277 V AC 60 Hz 220...230 V AC 50 Hz |
| Average resistance | 28.1 Ohm at 20 °C |
| Inductance of closed circuit | 3.44 H |
| Product compatibility | LC1F115 LC1F150 |
| Operating time | 5...15 ms opening 23...35 ms closing |
| Mechanical durability | 10 Mcycles |
| Operating rate | 2400 cyc/h at <= 55 °C |

Complementary

| | |
|---------------------------------|--|
| Coil technology | Without built-in suppressor module |
| Control circuit voltage limits | 0.85...1.1 Uc at 55 °C operational 50/60 Hz 0.35...0.55 Uc at 55 °C drop-out 50/60 Hz |
| Inrush power in VA | 660 VA at 20 °C (cos φ 0.3) 60 Hz 550 VA at 20 °C (cos φ 0.3) 50 Hz |
| Hold-in power consumption in VA | 55 VA at 20 °C (cos φ 0.3) 60 Hz 45 VA at 20 °C (cos φ 0.3) 50 Hz |
| Heat dissipation | 12...16 W at 50/60 Hz |

Environment

| | |
|---------------------------------------|--------------|
| Ambient air temperature for operation | > -5...55 °C |
| Product weight | 0.43 kg |

Contractual warranty

| | |
|--------|-----------|
| Period | 18 months |
|--------|-----------|

The information provided in this documentation contains general descriptions and/or technical characteristics of the performance of the products contained herein. This documentation is not intended as a substitute for and is not to be used for determining suitability or reliability of these products for specific user applications. It is the duty of any such user or integrator to perform the appropriate and complete risk analysis, evaluation and testing of the products with respect to the relevant specific application or use thereof. Neither Schneider Electric Industries SAS nor any of its affiliates or subsidiaries shall be responsible or liable for misuse of the information contained herein.