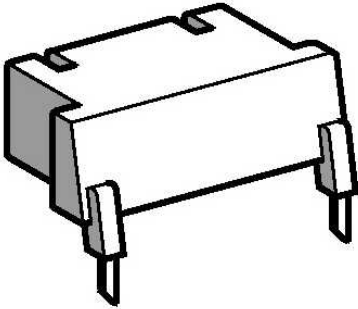


LA4DE2U

TeSys D - suppressor module - varistor - 110...250 V
AC



Main

Range	TeSys
Device short name	LA4D
Product or component type	Suppressor module
Product compatibility	LP1D80 LC1D80...D115

Complementary

Mounting mode	By screws
Suppressor technology	Varistor (peak limiting)
Control circuit voltage	110...250 V AC
Maximum peak voltage	2 U _c
Product weight	0.018 kg

Environment

Ambient air temperature for operation	-25...55 °C
Ambient air temperature for storage	-40...80 °C

The information provided in this documentation contains general descriptions and/or technical characteristics of the products contained herein. This documentation is not intended as a substitute for and is not to be used for determining suitability or reliability of these products for specific user applications. It is the duty of any such user or integrator to perform the appropriate and complete risk analysis, evaluation and testing of the products with respect to the relevant specific application or use thereof. Neither Schneider Electric Industries SAS nor any of its affiliates or subsidiaries shall be responsible or liable for misuse of the information contained herein.