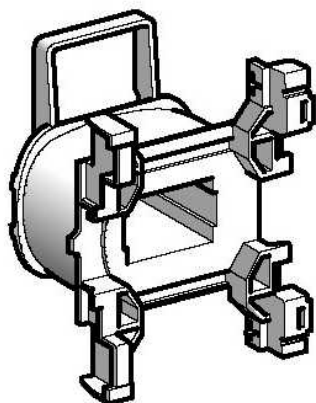


# LXD1FC7

TeSys D - contactor coil - LXD1 - 127 V AC  
50/60 Hz for 9... 38 A contactor



## Main

Range of product	TeSys D TeSys D control relay
Product or component type	Contactor coil
Device short name	LXD1
Control circuit type	AC 50/60 Hz
Control circuit voltage	127 V AC 50/60 Hz
Average resistance	158.5 Ohm at 20 °C
Inductance of closed circuit	6.1 H
Product compatibility	CAD LC1D09...D38 LC1DT20...DT40
Mechanical durability	15 Mcycles
Operating rate	3600 cyc/h at <= 60 °C

## Complementary

Coil technology	Without built-in suppressor module
Control circuit voltage limits	0.85...1.1 Uc at 60 °C operational 60 Hz 0.8...1.1 Uc at 60 °C operational 50 Hz 0.3...0.6 Uc at 60 °C drop-out 50/60 Hz
Inrush power in VA	70 VA at 20 °C (cos φ 0.75) 50 Hz 70 VA at 20 °C (cos φ 0.75) 60 Hz
Hold-in power consumption in VA	7 VA at 20 °C (cos φ 0.3) 50 Hz 7.5 VA at 20 °C (cos φ 0.3) 60 Hz
Heat dissipation	2...3 W at 50/60 Hz

## Environment

Ambient air temperature for operation	-5...60 °C
Product weight	0.07 kg

## Contractual warranty

Period	18 months
--------	-----------

The information provided in this documentation contains general descriptions and/or technical characteristics of the products of the products contained herein. This documentation is not intended as a substitute for and is not to be used for determining suitability or reliability of these products for specific user applications. It is the duty of any such user or integrator to perform the appropriate and complete risk analysis, evaluation and testing of the products with respect to the relevant specific application or use thereof. Neither Schneider Electric Industries SAS nor any of its affiliates or subsidiaries shall be responsible or liable for misuse of the information contained herein.