

## Main

Range	TeSys
Product name	TeSys GS
Device short name	GS2S
Product or component type	Switch-disconnector-fuse
Poles description	4P
Protected poles description	4t
Contacts type and composition	4 NO
[I <sub>th</sub> ] conventional free air thermal current	630 A at 40 °C
[I <sub>e</sub> ] rated operational current	315 A at 690 V on AC-23A 400 A at 440 V 2 poles in series per phase and not juxtaposed on DC-23A 400 A at 690 V on AC-23B 500 A at 500 V on AC-23A 500 A at 500 V on AC-23B 630 A at 400 V on AC-23A 630 A at 400 V on AC-23B 630 A at 440 V 2 poles in series per phase and not juxtaposed on DC-23B
Fuse type	BS
Fuse size	C1 C2
Network type	AC DC
Network frequency	50/60 Hz

## Complementary

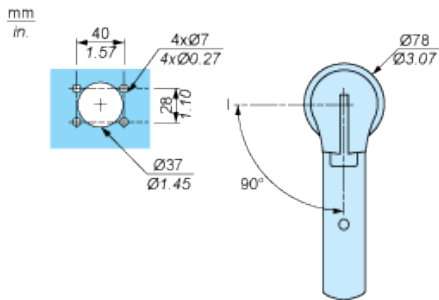
Type of operating handle	Direct frontal External frontal External right side
Mounting support	Plate
[U <sub>i</sub> ] rated insulation voltage	1000 V AC 50/60 Hz
[U <sub>imp</sub> ] rated impulse withstand voltage	12 kV
Rated operational power in W	295 kW at 690 V 355 kW at 400 V 355 kW at 500 V 400 kW at 690 V
Making capacity	6300 A at 400 V on AC-23B
[I <sub>cm</sub> ] rated short-circuit making capacity	80 kA at 400 V with protection by gG fuses
Breaking capacity	5040 A at 400 V on AC-23B
Short-circuit withstand	70 kA
Mechanical durability	8000 cycles
Electrical durability	On DC-23A On DC-23B On AC-23A On AC-23B
Connections - terminals	Power circuit : bars cable 63 mm <sup>2</sup> Power circuit : lugs-ring terminals 2 cable 150 mm <sup>2</sup> Power circuit : lugs-ring terminals 2 cable 300 mm <sup>2</sup>
Tightening torque	Power circuit : 44 N.m

## Environment

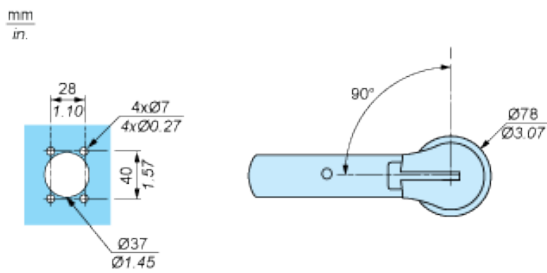
Standards	IEC 60947-3
Product certifications	CE
IP degree of protection	IP20 with terminal cover conforming to IEC 60529

Ambient air temperature for operation	-20...70 °C
Ambient air temperature for storage	-40...80 °C
Fire resistance	960 °C body conforming to IEC 60695-2-1 850 °C fuse cover conforming to IEC 60695-2-1
Height	458 mm
Width	300 mm
Depth	250 mm
Product weight	20 kg

#### Door Cut-out - For External Front-mounted Operator



#### Door Cut-out - For External RH Side-mounted Operator



#### 4-pole GS (50 to 1250 A)

