

Main

Range	TeSys
Product name	TeSys GS
Device short name	GS2S
Product or component type	Switch-disconnector-fuse
Poles description	4P
Protected poles description	4t
Contacts type and composition	4 NO
[I _{th}] conventional free air thermal current	630 A at 40 °C
[I _e] rated operational current	315 A at 690 V on AC-23A 400 A at 440 V 2 poles in series per phase with terminal covers on DC-23A 400 A at 690 V on AC-23B 500 A at 500 V on AC-23A 500 A at 500 V on AC-23B 630 A at 400 V on AC-23A 630 A at 400 V on AC-23B 630 A at 440 V 2 poles in series per phase with terminal covers on DC-23B
Fuse type	DIN
Fuse size	3
Network type	AC DC
Network frequency	50/60 Hz

Complementary

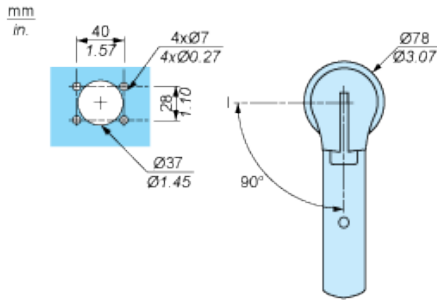
Type of operating handle	Direct frontal External frontal External right side
Mounting support	Plate
[U _i] rated insulation voltage	1000 V AC 50/60 Hz
[U _{imp}] rated impulse withstand voltage	12 kV
Rated operational power in W	295 kW at 690 V 355 kW at 400 V 355 kW at 500 V 400 kW at 690 V
Making capacity	6300 A at 400 V on AC-23B
[I _{cm}] rated short-circuit making capacity	100 kA at 400 V with protection by gG fuses
Breaking capacity	5040 A at 400 V on AC-23B
Short-circuit withstand	70 kA
Mechanical durability	8000 cycles
Electrical durability	On DC-23A On DC-23B On AC-23A On AC-23B
Connections - terminals	Power circuit : bars cable 63 mm ² Power circuit : lugs-ring terminals 2 cable 150 mm ² Power circuit : lugs-ring terminals 2 cable 300 mm ²
Tightening torque	Power circuit : 44 N.m

Environment

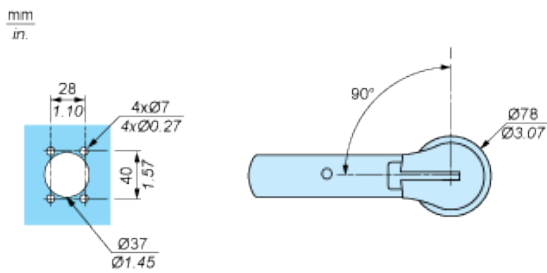
Standards	IEC 60947-3
Product certifications	CE
IP degree of protection	IP20 with terminal cover conforming to IEC 60529
Ambient air temperature for operation	-20...70 °C

Ambient air temperature for storage	-40...80 °C
Fire resistance	960 °C body conforming to IEC 60695-2-1 850 °C fuse cover conforming to IEC 60695-2-1
Height	458 mm
Width	300 mm
Depth	250 mm
Product weight	20 kg

Door Cut-out - For External Front-mounted Operator



Door Cut-out - For External RH Side-mounted Operator



4-pole GS (50 to 1250 A)

