

TM2DDO8UT

discrete output module M238 - 8 outputs - 1
removable screw terminal block



Main

Range of product	Modicon M238 logic controller
Product or component type	Discrete output module
Discrete output number	8
Discrete output type	Transistor
Discrete output voltage	24 V
Discrete output logic	Sink
Discrete output current	0.3 A

Complementary

Range compatibility	Advantys OTB Twido
Output voltage limits	20.4...28.8 V
Current per channel	0.36 A
Current per output common	3 A
Number of common point	1
Response time	300 µs at state 0 300 µs at state 1
[Ures] residual voltage	<= 1 V at state 1
Tungsten load	<= 8 W
Short-circuit protection	Without
Overload protection	Without
Isolation between channels	None
Isolation between channels and internal logic	500 V for 1 minute
Current consumption	10 mA 5 V DC at state 1 for all output 20 mA 24 V DC at state 1 for all output
Local signalling	1 display block
Electrical connection	1 removable screw terminal block
Mounting support	35 mm symmetrical DIN rail
Product weight	0.085 kg

Environment

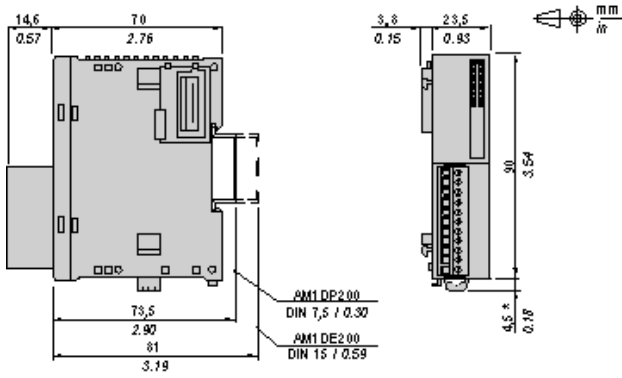
Depth	84.6 mm
Height	90 mm
Width	27.3 mm

Offer Sustainability

Sustainable offer status	Not Green Premium product
RoHS	Compliant - since 0830 - Schneider Electric declaration of conformity
Product environmental profile	Available

Digital Transistor Output Module (8-channel, Sink)

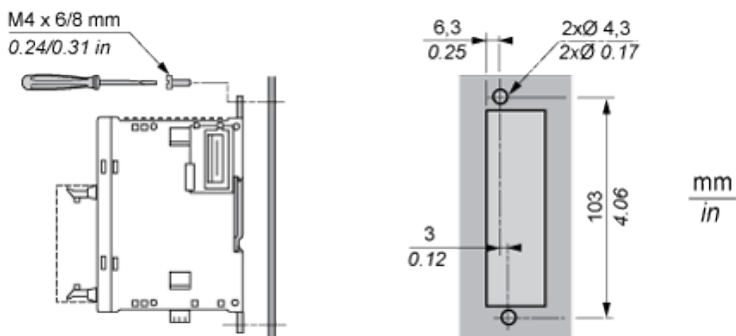
Dimensions



NOTE: * 8.5 mm (0.33 in) when the clamp is pulled out.

Module Mounting on a Panel Surface

Mounting Hole Layout



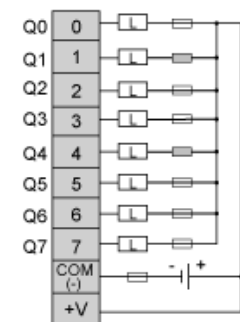
Wiring Requirements

Cable Types and Wire Sizes for Removable Screw Terminal Block

9 0.35 mm in.							
mm ²	0,14...1,5	0,25...0,5	0,25...1,5	0,14...0,5	0,14...0,75	0,25...0,34	0,5
AWG	26...16	24...20	24...16	26...20	26...18	24...22	20

Digital Transistor Output Module (8-channel, Sink)

Wiring Diagram



L Load