

## TM2ARI8LT

analog input module - 8 I - 200..600 °C - 12 bits- 24V  
DC- screw terminal blocks



### Main

Range of product	Modicon M238 logic controller
Product or component type	Analog input module
Analogue input number	8
Analogue input type	Temperature probe - 200...600 °C Pt 100 non differential Temperature probe - 50...200 °C Pt 1000 non differential

### Complementary

Range compatibility	Advantys OTB Twido
Analogue input resolution	12 bits
LSB value	0.006 °C Pt 1000 0.2 °C Pt 100
Input impedance	>= 10 kOhm
Sampling duration	<= 160 ms
Acquisition period	320 ms per group of channel + 1 controller cycle time
Measurement error	+/- 0.3 % of full scale Pt 1000 25 °C +/- 0.5 % of full scale Pt 100 25 °C
Temperature coefficient	+/-0.01 %FS/°C
Repeat accuracy	+/- 0.1 °C
Total error	1 °C Pt 1000 4 °C Pt 100
Insulation between channel and internal logic	Photocoupler
Supply	External supply
[Us] rated supply voltage	24 V DC
Supply voltage limits	19.2...30 V
Electrical connection	1 removable screw terminal block power supply 1 removable screw terminal block sensors
Current consumption	<= 140 mA 24 V DC external 90 mA 5 V DC internal
Product weight	0.19 kg

### Environment

Dielectric strength	2500 V between the I/O and internal logic 500 V between the I/O and the external supply circuit
Width	90 mm
Depth	70 mm
Height	90 mm

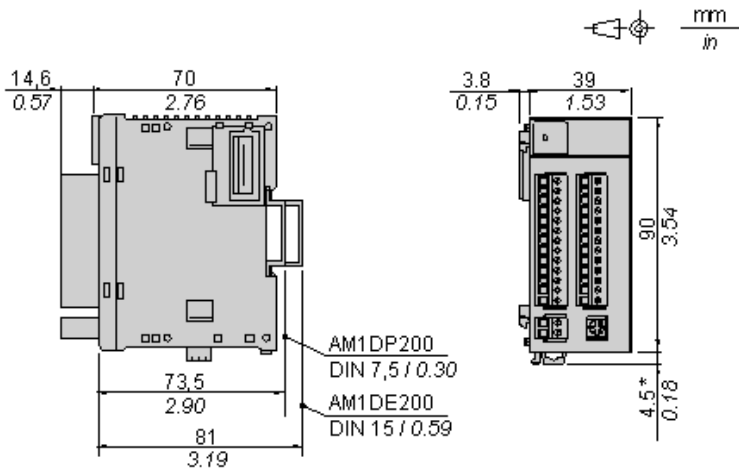
### Offer Sustainability

Sustainable offer status	Green Premium product
RoHS	Compliant - since 0903 - Schneider Electric declaration of conformity
Product environmental profile	Available
Product end of life instructions	Available

The information provided in this documentation contains general descriptions and/or technical characteristics of the performance of the products contained herein. This documentation is not intended as a substitute for and is not to be used for determining suitability or reliability of these products for specific user applications. It is the duty of any such user or integrator to perform the appropriate and complete risk analysis, evaluation and testing of the products with respect to the relevant specific application or use thereof. Neither Schneider Electric Industries SAS nor any of its affiliates or subsidiaries shall be responsible or liable for misuse of the information contained herein.

## Analog Input Module (8-channel, Temperature Probe)

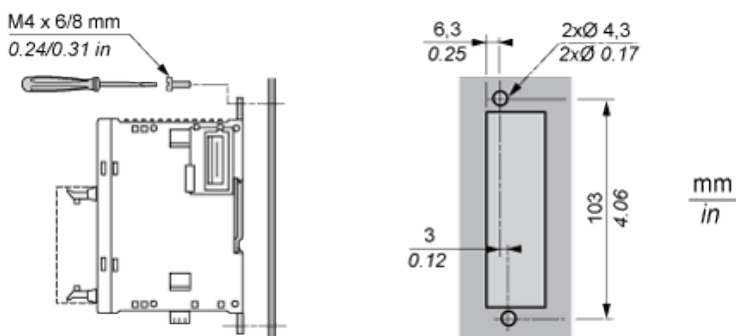
### Dimensions



NOTE: \* 8.5 mm (0.33 in) when the clip-on lock is pulled out.

### Module Mounting on a Panel Surface

#### Mounting Hole Layout



### Wiring Requirements

#### Cable Types and Wire Sizes for Removable Screw Terminal Block

$\frac{9}{0.35}$ mm in.								
	mm <sup>2</sup>	0,14...1,5	0,25...0,5	0,25...1,5	0,14...0,5	0,14...0,75	0,25...0,34	0,5
AWG	26...16	24...20	24...16	26...20	26...18	24...22	20	

## Analog Input Module (8-channel, Temperature Probe)

### Wiring Diagram

