

## TM2ARI8HT

analog input module M238 - 8 inputs temperature  
100...10000 Ohm non differential



### Main

Range of product	Modicon M238 logic controller
Product or component type	Analog input module
Analogue input number	8
Analogue input type	Temperature probe 100...10000 Ohm PTC/NTC non differential
Cross talk	<= 1 LSB

### Complementary

Range compatibility	Advantys OTB Twido
Analogue input resolution	10 bits NTC
Input impedance	>= 1 MOhm
Sampling duration	<= 160 ms
Acquisition period	160 ms per channel + 1 controller cycle time
Measurement error	+/- 0.2 % of full scale 25 °C
Temperature coefficient	+/-0.01 %FS/°C
Repeat accuracy	+/- 0.4 %FS
Non-linearity	+/- 0.002 %FS
Total error	+/-1 %FS
Type of cable	Shielded cable
Insulation between channel and internal logic	Photocoupler
Supply	External supply
[Us] rated supply voltage	24 V DC
Supply voltage limits	20.4...28.8 V
Electrical connection	1 removable screw terminal block power supply 1 removable screw terminal block sensors
Current consumption	45 mA 24 V DC external 60 mA 5 V DC internal
Product weight	0.085 kg

### Environment

Dielectric strength	2500 V between the I/O and internal logic
Width	23.5 mm
Depth	70 mm
Height	90 mm

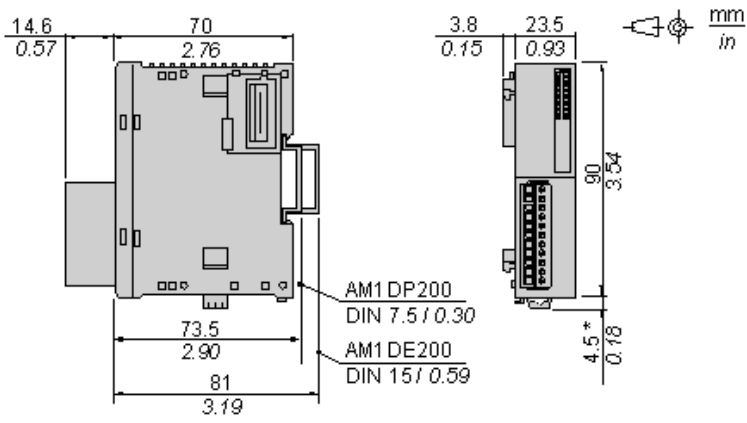
### Offer Sustainability

Sustainable offer status	Green Premium product
RoHS	Compliant - since 0903 - Schneider Electric declaration of conformity
Product environmental profile	Available
Product end of life instructions	Available

The information provided in this documentation contains general descriptions and/or technical characteristics of the products contained herein. This documentation is not intended as a substitute for and is not to be used for determining suitability or reliability of these products for specific user applications. It is the duty of any such user or integrator to perform the appropriate and complete risk analysis, evaluation and testing of the products with respect to the relevant specific application or use thereof. Neither Schneider Electric Industries SAS nor any of its affiliates or subsidiaries shall be responsible or liable for misuse of the information contained herein.

## Analog Input Module (8-channel, Temperature)

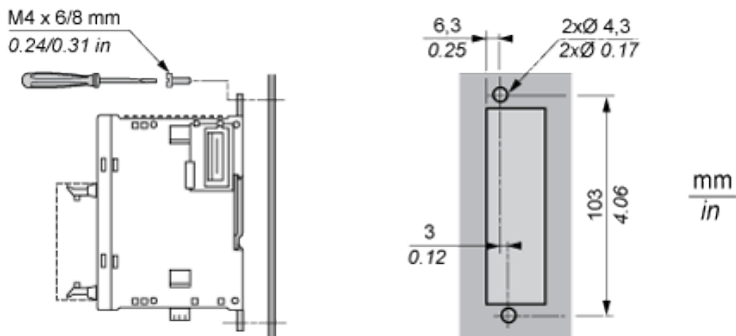
### Dimensions



NOTE: \* 8.5 mm (0.33 in) when the clip-on lock is pulled out.

### Module Mounting on a Panel Surface

#### Mounting Hole Layout



### Wiring Requirements

#### Cable Types and Wire Sizes for Removable Screw Terminal Block

mm <sup>2</sup> AWG	0.14...1.5 26...16	0.25...0.5 24...20	0.25...1.5 24...16	0.14...0.5 26...20	0.14...0.75 26...18	0.25...0.34 24...22	0.5 20
9 0.35							

## Analog Input Module (8-channel, Temperature)

### Wiring Diagram

