

Main

Range of product	Modicon Momentum automation platform
Product or component type	M1 processor adaptors power supply

Complementary

Input voltage	120 V adjustable by jumper AC 230 V adjustable by jumper AC
Nominal output current	<= 0.7 A
Output voltage	24 V DC
Associated fuse rating	0.63 A aM 120 V 0.315 A 230 V
Local signalling	1 LED module operating (RUN)
Connections - terminals	Terminal strip connector
Product weight	0.284 kg

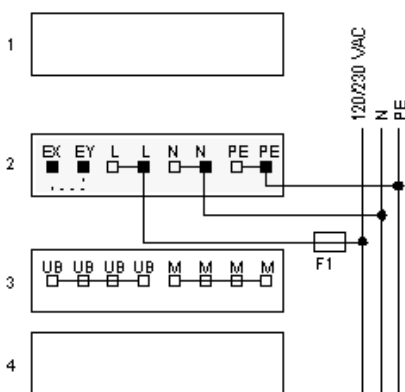
Environment

Ambient air temperature for operation	0...60 °C
Ambient air temperature for storage	-25...70 °C
Relative humidity	5...95 % without condensation
Operating altitude	<= 2000 m

Offer Sustainability

Sustainable offer status	Not Green Premium product
RoHS	Compliant - since 0802 - Schneider Electric declaration of conformity

Wiring Diagram



- EX, Jumper connection
- EY
- L AC input voltage, line
- N AC input voltage, neutral
- PE Earth ground
- UB DC output voltage
- M DC output voltage return

The information provided in this documentation contains general descriptions and/or technical characteristics of the performance of the products contained herein. This documentation is not intended as a substitute for and is not to be used for determining suitability or reliability of these products for specific user applications. It is the duty of any such user or integrator to perform the appropriate and complete risk analysis, evaluation and testing of the products with respect to the relevant specific application or use thereof. Neither Schneider Electric Industries SAS nor any of its affiliates or subsidiaries shall be responsible or liable for misuse of the information contained herein.

Output Current Derating

