



Main

Commercial Status	Commercialised
Range of product	Harmony XVU
Product or component type	Modular tower light
Accessory / separate part type	Adjustable pole
Accessory / separate part category	Mounting and fixing accessory
Component name	XVU
Mounting diameter	60 mm

Complementary

Product compatibility	Top: DC body
Material	Aluminium PC (polycarbonate) ABS (acrylonitrile butadiene-styrene) PBT (polybutylene terephthalate) V-0 flame retardant conforming to UL 94
Housing colour	Black
Connections - terminals	Push-in
[Us] rated supply voltage	24 V AC/DC
Length	209.7...384.7 mm
Product weight	0.253 kg

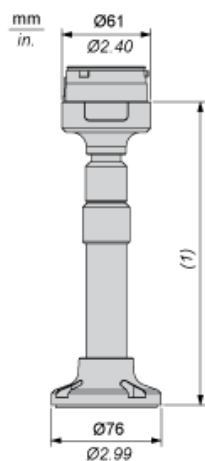
Environment

Ambient air temperature for storage	-40...70 °C
Ambient air temperature for operation	-25...50 °C
IP degree of protection	IP65
Product certifications	CE CSA RoHS UL

The information provided in this documentation contains general descriptions and/or technical characteristics of the performance of the products contained herein. This documentation is not intended as a substitute for and is not to be used for determining suitability or reliability of these products for specific user applications. It is the duty of any such user or integrator to perform the appropriate and complete risk analysis, evaluation and testing of the products with respect to the relevant specific application or use thereof. Neither Schneider Electric Industries SAS nor any of its affiliates or subsidiaries shall be responsible or liable for misuse of the information contained herein.

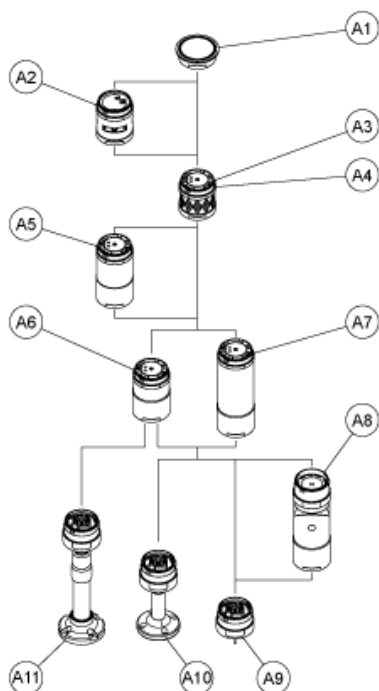
Adjustment Pole

Dimensions



(1) adjustment:209.7 ... 384.7 or adjustment:8.256 ... 15.146

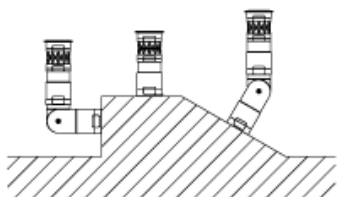
Modular Tower Lights Mounting



Drawing	Part name
A1	Top cover
A2	Buzzer unit
A3	Illuminated LED unit
A4	Multi Color LED Unit
A5	Extender
A6	Base unit DC
A7	Base unit AC
A8	Flexible option
A9	Mounting plate
A10	Mounting Pole
A11	Adjustment pole

Flexible Option Mounting

Recommended Mounting



No Recommended Mounting

