


## Datasheet - IFL 20-400-01T

Inductive proximity switch / Housing construction form: cylinder smooth / IFL Ø 40 mm



- Design Ø 40 mm
- thermoplastic enclosure
- AC 2-wire
- Double-insulated 

(Minor differences between the printed image and the original product may exist!)

### Ordering details

Product type description	IFL 20-400-01T
Article number	101059999
EAN code	4030661038469

### Approval

Approval



### Global Properties

Product name	IFL - Ø 40
Standards	IEC/EN 60947-5-2; DIN VDE 0660-208
Compliance with the Directives (Y/N) 	Yes
Operating resource protection class	Protection class 2
Materials	
- Material of the housings	Plastic
- Material of the cable mantle	PVC
- Material of the active surface	Plastic
- Material of the terminal fixing	Plastic
Housing construction form	cylinder smooth
Weight	210 g

## Mechanical data

---

Design of electrical connection	Cable H03VV-F
Cable length	2 m
Conductor with strain relief	Yes
Conductors	2 x 0,5 mm <sup>2</sup>
mechanical installation conditions	not flush
Switch distance	20 mm
Reduction factor 1 met (Y/N)	No
Protection circuit	inductive interference protection
Pressure resistant (Y/N)	No

## Ambient conditions

---

Ambient temperature	
- Min. environmental temperature	-25 °C
- Max. environmental temperature	+70 °C
Protection type IP	IP67

## Electrical data

---

Design of control element	Opener (NC)
Number of wire	2 piece
Voltage type	AC, alternating current
Supply voltage U <sub>B</sub>	
- Min. supply voltage	15 V
- Max. supply voltage	250 V
Rated supply frequency	45 ... 65 Hz
Switch frequency	approx. 10 Hz
Voltage drop U <sub>d</sub>	approx. 4.5 V (250 V / 200 mA)
Rated impulse withstand voltage U <sub>imp</sub>	4 kV
Residual current I <sub>r</sub>	1 mA
Minimum operating current	10 mA
Operating current I <sub>e</sub>	500 mA

## Outputs

---

Design of control output	Two-wire
--------------------------	----------

## LED switching conditions display

---

LED switching conditions display (Y/N)	Yes
- yellow LED	

## ATEX

---

Explosion protection categories for gases	None
Explosion protected category for dusts	None

## Dimensions

---

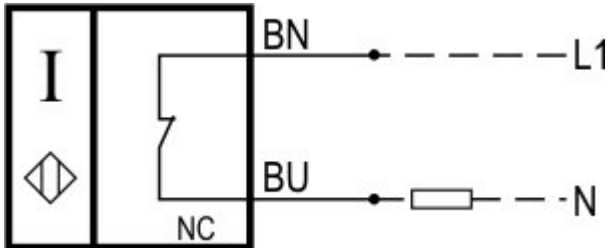
Dimensions of the sensor	
- Width of sensor	40 mm

- Height of sensor	40 mm
- Length of sensor	63 mm
- Diameter of sensor	40 mm

## notice

Clamp H 40 is included in delivery

## Diagram



Note Diagram

- positive break NC contact
- active
- no active
- Normally-open contact
- Normally-closed contact

## Ordering suffix

The applicable ordering suffix is added at the end of the part number of the safety switch.

Order example: IFL 20-400-01T-1522

...-1522

Operating current  $I_e$ : max. 150 mA  
Voltage drop  $U_d$ : approx. 7.5 V (150 mA)

## Ordering code

IFL (1)-(2)-(3)(4)(5)

(1)

20

Switch distance 20 mm

(2)

400

cylinder smooth, Ø 40 mm, Plastic

(3)

01

Opener (NC)

10

Normally open contact (NO)

10/01

Normally open contact (NO) / Opener (NC) with Wiring compartment

11

Normally open contact (NO) / Opener (NC) antivalent

(4)

without

Cable

T

Conductor with strain relief

(5)

N

n-type

P

p-type

## Documents

---

**Mounting and wiring instructions** (de, en, fr, it) 79 kB, 05.10.2010

Code: m\_fl1p01

**Declaration of conformity** (en, de) 232 kB, 05.11.2013

Code: \_\_iflp01

**CCC certification** (cn) 130 kB, 30.01.2014

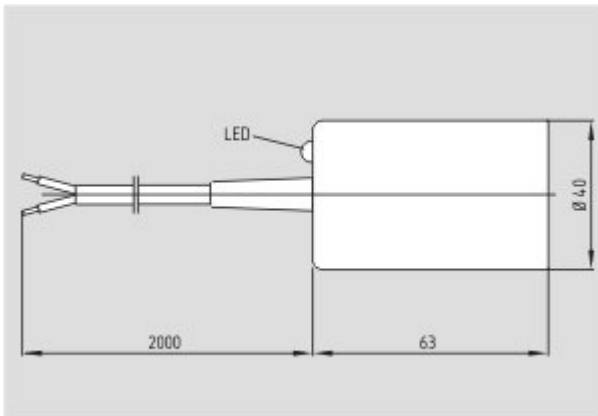
Code: q\_iflp03

**CCC certification** (en) 186 kB, 30.01.2014

Code: q\_iflp02

## Images

---



Dimensional drawing (basic component)

---

## System components

---

### Mounting accessories



#### 101068521 - MOUNTING CLAMP H 40

- For a smooth fitting of the proximity switches with cylindric shape Ø 40 mm
- 

K.A. Schmersal GmbH & Co. KG, Möddinghofe 30, D-42279 Wuppertal

The data and values have been checked thoroughly. Technical modifications and errors excepted.

Generiert am 18.03.2014 - 13:22:29h Kasbase 2.2.18.F DBI

Image

Image  
et=sS