

Datasheet - AZM 415-33ZPDKE 110 VAC

Solenoid interlock / AZM 415



- Metal enclosure
- Interlock with protection against incorrect locking.
- Robust design
- Long life
- 2 cable entries M 20 x 1.5
- Cut clamp termination
- Ball latch for each door, individually adjustable up to 400 N
- 3 switches in one enclosure
- Spring-loaded actuators
- for double doors
- Manual release
- 141 mm x 136 mm x 46,5 mm

(Minor differences between the printed image and the original product may exist!)

Ordering details

| | |
|--------------------------|-------------------------|
| Product type description | AZM 415-33ZPDKE 110 VAC |
| Article number | 101164608 |
| EAN code | 4030661206493 |

Approval

Approval



CCC

Classification

| | |
|------------------------------|--|
| Standards | EN ISO 13849-1 |
| B _{10d} Opener (NC) | 2.000.000 |
| Mission time notice | 20 Years |
| | $MTTF_d = \frac{B_{10d}}{0,1 \times n_{op}}$ $n_{op} = \frac{d_{op} \times h_{op} \times 3600 \text{ s/h}}{t_{cycle}}$ |

Global Properties

| | |
|--|---------------------------|
| Product name | AZM 415 |
| Standards | EN 60947-5-1, BG-GS-ET-19 |
| Compliance with the Directives (Y/N)  | Yes |
| Number of guard doors | 2 piece |
| Number of actuating directions | 1 piece |
| Active principle | electromechanical |
| Duty cycle | Magnet 100 % |
| Materials | |

| | |
|----------------------------|-----------|
| - Material of the housings | Aluminium |
| - Material of the contacts | Silver |
| Housing coating | painted |
| Weight | 1260 g |

Mechanical data

| | |
|----------------------------------|---|
| Design of electrical connection | Screw connection |
| Cable section | |
| - Min. Cable section | 2 x 0,75 mm ² |
| - Max. Cable section | 2 x 2.5 mm ² |
| Mechanical life | > 1.000.000 operations |
| notice | All indications about the cable section are including the conductor ferrules. |
| Emergency unlocking device (Y/N) | No |
| Manual release (Y/N) | Yes |
| - using triangular key | |
| Emergency release (Y/N) | No |
| Latching force | 150 N ... 400 N |
| Positive break force | 15 N min. |
| positive break travel | 4.5 mm |
| Clamping force F _{max} | 2500 N (for each guard) |
| Max. Actuating speed | 0,2 m/s |

Ambient conditions

| | |
|----------------------------------|----------------------|
| Ambient temperature | |
| - Min. environmental temperature | -25 °C |
| - Max. environmental temperature | +50 °C |
| Protection class | IP67 to IEC/EN 60529 |

Electrical data

| | |
|--|--|
| Design of control element | Normally open contact (NO), Opener (NC) |
| Switching principle | Creep circuit element |
| Number of auxiliary contacts | 3 piece |
| Number of safety contacts | 3 piece |
| Power to unlock | Yes |
| Power to lock | No |
| Rated control voltage U _s | 110 V AC |
| Power consumption | max. 10 W |
| Rated impulse withstand voltage U _{imp} | 4 kV |
| Rated insulation voltage U _i | 250 V |
| Thermal test current I _{the} | 6 A |
| Utilisation category | AC-15: 230 V / 4 A, DC-13: 24 V / 1 A |
| Max. fuse rating | 6 A gG D-fuse |

ATEX

| | |
|---|------|
| Explosion protection categories for gases | None |
| Explosion protected category for dusts | None |

Miscellaneous data



sliding safety guard



hinged safety guard

Dimensions

Dimensions of the sensor

| | |
|--------------------|---------|
| - Width of sensor | 141 mm |
| - Height of sensor | 136 mm |
| - Length of sensor | 46.5 mm |

notice

Manual release

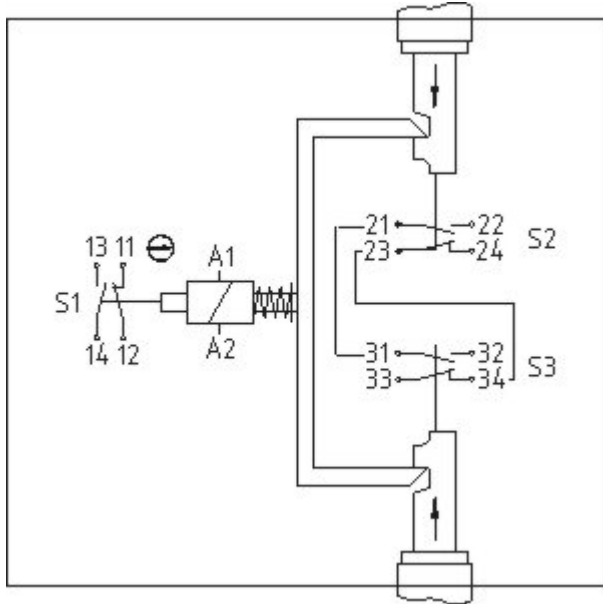
- Manual release by means of M5 triangular key
- M5 triangular key, available as accessory
- For maintenance, installation, etc.
- Only used on units with power to unlock principle

notice - Dimensional drawing

A setting screw Ball latch

E Manual release by means of M5 triangular key

Diagram



Note Diagram

positive break NC contact

active

no active

Normally-open contact

Normally-closed contact

Ordering suffix

The applicable ordering suffix is added at the end of the part number of the safety switch.

...-1637

0,3 µm gold-plated contacts

Ordering code

AZM 415-(1)(2)PK(3)-(4) (5)(6)-(7)

(1)

| | |
|-------|--|
| 11/11 | 2 Opener (NC) / Normally open contact (NO) 2 |
| 11/02 | 3 Opener (NC) / 1 Normally open contact (NO) |
| 11/20 | 1 Opener (NC) / 3 Normally open contact (NO) |
| 02/11 | 3 Opener (NC) / 1 Normally open contact (NO) |
| 02/20 | 2 Opener (NC) / 2 Normally open contact (NO) |
| 02/02 | 4 Opener (NC) |

(2)

| | |
|---|-----------------------|
| X | Protection class IP54 |
| Z | Protection class IP67 |

(3)

| | |
|---------|-----------------|
| without | Power to unlock |
| A | Power to lock |

(4)

| | |
|-----|----------------------|
| STR | connector M23 right |
| ST | connector M23 bottom |

(5)

| | |
|---------|---|
| without | without Manual release |
| E | Manual release using triangular key |
| F | using triangular key (secured with locking screw) |
| FE | using triangular key |
| RS | Manual release with key |
| T | Emergency exit using latched pushbutton (<i>only for Power to unlock</i>) |
| TE | Emergency exit and Manual release, Mounting outside (<i>only for Power to unlock</i>) |
| TEI | Emergency exit and Manual release, Mounting inside (<i>only for Power to unlock</i>) |
| NS | Emergency release using lock button |

(6)

| | |
|----------|----------------------------|
| 24VAC/DC | U _s : 24 VAC/DC |
| 110VAC | U _s : 110 VAC |
| 230VAC | U _s : 230 VAC |

(7)

| | |
|------|----------------------|
| 1637 | gold-plated contacts |
|------|----------------------|

AZM 415 for double doors

AZM 415-33ZPDK(1)(2) (3)(4)

(1)

| | |
|---|---------------|
| A | Power to lock |
|---|---------------|

(2)

| | |
|---------|----------------------|
| ST | connector M23 right |
| without | Power to unlock |
| STR | connector M23 bottom |

(3)

without

without Manual release

E

Manual release using triangular key (only for Power to unlock)

(4)

1637

gold-plated contacts

Documents

Operating instructions and Declaration of conformity (da) 301 kB, 08.08.2012

Code: mrl_azm415-22-33_da

Operating instructions and Declaration of conformity (nl) 475 kB, 16.03.2010

Code: mrl_azm415-22-33_nl

Operating instructions and Declaration of conformity (jp) 843 kB, 26.08.2011

Code: mrl_azm415-22-33_jp

Operating instructions and Declaration of conformity (it) 466 kB, 16.03.2010

Code: mrl_azm415-22-33_it

Operating instructions and Declaration of conformity (pt) 301 kB, 27.06.2012

Code: mrl_azm415-22-33_pt

Operating instructions and Declaration of conformity (es) 478 kB, 15.03.2010

Code: mrl_azm415-22-33_es

Operating instructions and Declaration of conformity (de) 795 kB, 24.02.2011

Code: mrl_azm415-22-33_de

Operating instructions and Declaration of conformity (pl) 284 kB, 21.11.2013

Code: mrl_azm415-22-33_pl

Operating instructions and Declaration of conformity (fr) 486 kB, 16.03.2010

Code: mrl_azm415-22-33_fr

Operating instructions and Declaration of conformity (en) 563 kB, 09.02.2010

Code: mrl_azm415-22-33_en

CCC certification (cn) 123 kB, 04.02.2014

Code: q_azmp05

CCC certification (cn) 123 kB, 04.02.2014

Code: q_azmp05

CCC certification (en) 181 kB, 04.02.2014

Code: q_azmp04

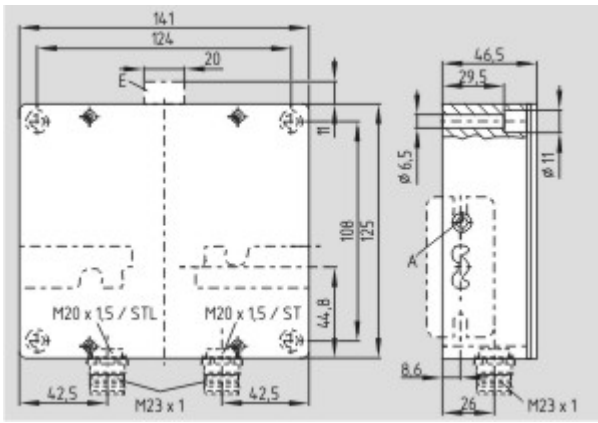
CCC certification (en) 181 kB, 04.02.2014

Code: q_azmp04

Gost certification (ru) 2 MB, 07.07.2011

Code: q_az1p01

Images



Dimensional drawing (basic component)

System components

Actuator



1128545 - AZ/AZM 415-B1

- For sliding doors
- Actuators with return spring
- Tolerates up to max. 6 mm overtravel



1144796 - AZ/AZM 415-B2

- Particularly suitable for hinged guards
- For very small actuating radii in line with the plane of the actuator



1144797 - AZ/AZM 415-B3

- Particularly suitable for hinged guards
- For very small actuating radii at 90° to the plane of the actuator



101142540 - AZ/AZM 415-B4PS

- For sliding doors
- with locking bolt and ball latch

Door-handle system



AZM 415-ST30

- Latching handle
- Suitable for all types of guard

Accessories



101100887 - TRIANGULAR KEY M5

- For manual release using M5 triangular key, available as accessory
- For maintenance, installation, etc.



1160461 - SZ AZ 415-22-1



1160462 - SZ AZ 415-22-2

K.A. Schmersal GmbH & Co. KG, Möddinghofe 30, D-42279 Wuppertal

The data and values have been checked thoroughly. Technical modifications and errors excepted.

Generiert am 06.03.2014 - 17:12:57h Kasbase 2.2.18.F DBI

Image

Image
et=sS