

Datasheet - AZ 15/16-B1-1747

Safety switch with separate actuator / AZ 16 / Actuator



Preferred typ

- For play-free interlocking of light guards
- The magnetic latch can be easily fitted in any actuating plane
- Suitable for retrofitting



(Minor differences between the printed image and the original product may exist!)

Ordering details

Product type description	AZ 15/16-B1-1747
Article number	101093553
EAN code	4030661099989

Global Properties

Product name	Gerader Betätiger B1-1747 mit Haftmagnet
Weight	35 g

Mechanical data

Design of actuators	straight, rigid
Latching force	30 N
Minimum actuating radius	150 mm

notice

Minimum actuating radius on hinged guards 150 mm

The axis of the hinge should be 5 mm above the top edge of the safety switch and in the same plane

Documents

Operating instructions and Declaration of conformity (es) 115 kB, 12.02.2014

Code: mrl_az15-16-betaetiger_es

Operating instructions and Declaration of conformity (it) 114 kB, 10.02.2014

Code: mrl_az15-16-betaetiger_it

Operating instructions and Declaration of conformity (de) 296 kB, 30.01.2014

Code: mrl_az15-16-betaetiger_de

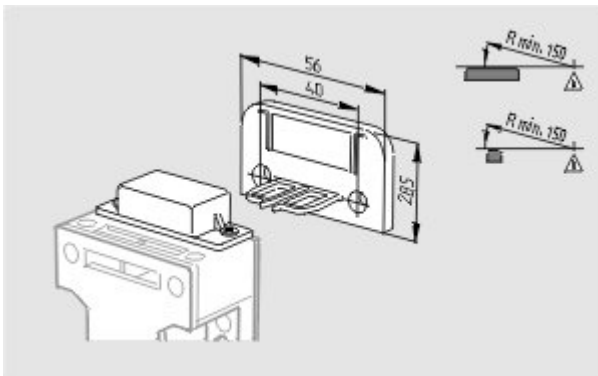
Operating instructions and Declaration of conformity (jp) 235 kB, 10.02.2014

Code: mrl_az15-16-betaetiger_jp

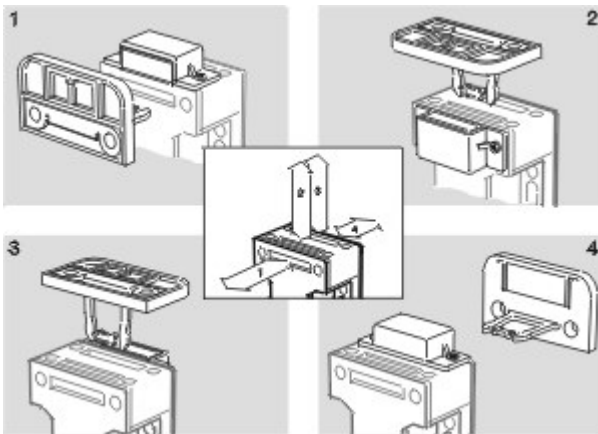
Operating instructions and Declaration of conformity (en) 114 kB, 24.02.2014

Code: mrl_az15-16-betaetiger_en

Images



Dimensional drawing (actuator)



Operating principle

K.A. Schmersal GmbH & Co. KG, Mödinghofe 30, D-42279 Wuppertal

The data and values have been checked thoroughly. Technical modifications and errors excepted.

Generiert am 07.03.2014 - 16:02:14h Kasbase 2.2.18.F DBI

Image

Image
et=sS