

## Datasheet - AZ 15/16-B1-2024

Safety switch with separate actuator / AZ 15 / Actuator



Preferred typ



(Minor differences between the printed image and the original product may exist!)

### Ordering details

Product type description	AZ 15/16-B1-2024
Article number	101108276
EAN code	4030661104263

### Global Properties

Product name	Gerader Betätiger B1-2024
Weight	23 g

### Mechanical data

Design of actuators	straight, rigid
Minimum actuating radius	150 mm

### notice

Minimum actuating radius on hinged guards 150 mm

The axis of the hinge should be 11 mm above the top edge of the safety switch and in the same plane

### Documents

**Operating instructions and Declaration of conformity (es)** 115 kB, 12.02.2014

Code: mrl\_az15-16-betaetiger\_es

**Operating instructions and Declaration of conformity (it)** 114 kB, 10.02.2014

Code: mrl\_az15-16-betaetiger\_it

**Operating instructions and Declaration of conformity (de)** 296 kB, 30.01.2014

Code: mrl\_az15-16-betaetiger\_de

**Operating instructions and Declaration of conformity (jp)** 235 kB, 10.02.2014

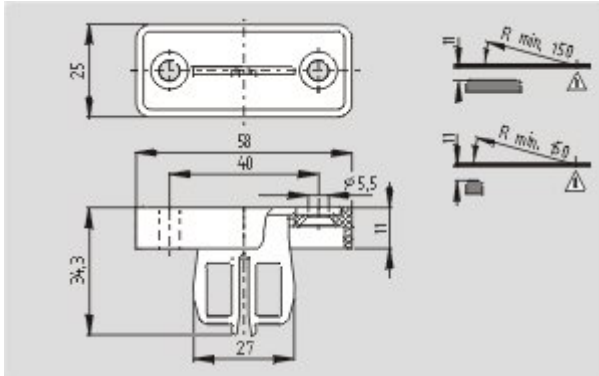
Code: mrl\_az15-16-betaetiger\_jp

**Operating instructions and Declaration of conformity (en)** 114 kB, 24.02.2014

Code: mrl\_az15-16-betaetiger\_en

## Images

---



Dimensional drawing (actuator)

---

K.A. Schmersal GmbH & Co. KG, Möddinghofe 30, D-42279 Wuppertal

The data and values have been checked thoroughly. Technical modifications and errors excepted.

Generiert am 05.03.2014 - 11:38:51h Kasbase 2.2.18.F DBI

Image

Image  
et=sS  
e