

Datasheet - BNS 36 STG-AS-R

AS interface safety at work / Safety switchgear / Safety sensors / BNS 36 AS



Preferred typ



(Minor differences between the printed image and the original product may exist!)

- Safety sensor
- Thermoplastic enclosure
- no mechanical wear
- 88 mm x 25 mm x 13 mm
- Integrated AS-Interface
- Concealed mounting possible
- Long life
- Insensitive to transverse misalignment
- Insensitive to soiling
- AS-Interface LED and status display
- 2 m Pre-wired cable with connector M12, straight, 4-pole

Ordering details

Product type description	BNS 36 STG-AS-R
Article number	101194956
EAN code	4030661362267

Approval


Approval



Classification

Standards	EN ISO 13849-1, IEC 61508
PL	up e
Control category	bis 4
PFH	1.24 x 10 ⁻⁸ / h
- notice	up to max. 500.000 switching cycles/year
SIL	up 3
Mission time	20 Years

Global Properties

Product name	BNS 36 AS
Standards	EN 50295, IEC 60947-5-3, EN ISO 13849-1, IEC 61508
Compliance with the Directives (Y/N) 	Yes
Materials	
- Material of the housings	Plastic, glass-fibre reinforced thermoplastic
- Material of the cable mantle	LSYY
Weight	110 g
Coding available (Y/N)	Yes

Response time	< 100 ms
Recommended actuator	BPS 36-1, BPS 36-2

Mechanical data

Design of electrical connection	Pre-wired cable with connector M12, straight, 4-pole
Cable length	2 m
Conductors	2 x 0,23 mm ²
AWG-Number	23
mechanical installation conditions	quasi-flush
Ensured switch distance ON S _{ao}	7 mm
Ensured switch distance OFF S _{ar}	17 mm
Repeat accuracy R _R notice	R ≤ 0,1 x S _{ao} Axial misalignment The safety sensor and the actuator tolerate a horizontal and vertical misalignment to each other. The possible misalignment depends on the distance of the active surfaces of the sensor and the actuator. The sensor is active in the tolerance range.
Type of actuation	Magnet
Direction of motion	head-on with regard to the active surface
resistance to shock	30 g / 11 ms
Resistance to vibration	10 ... 55 Hz, Amplitude 1 mm
Door hinge	right

Ambient conditions

Ambient temperature	
- Min. environmental temperature	-25 °C
- Max. environmental temperature	+60 °C
Storage and transport temperature	
- Min. Storage and transport temperature	-25 °C
- Max. Storage and transport temperature	+70 °C
Protection class	IP67 to IEC/EN 60529
Air clearances and creepage distances To IEC/EN 60664-1	
- Rated impulse withstand voltage U _{imp}	0,8 kV
- Rated insulation voltage U _i	32 VDC
- Overvoltage category	III
- Degree of pollution	3

Electrical data - AS interface

AS-i Supply voltage	26.5 ... 31.6 VDC, Protection against polarity reversal
AS-i operating current	≤ 50 mA
AS-i Device insulation	internally short-circuit proof
AS-i Specification	
- version	V 2.1
- Profile	S-0.B.F.E
- IO-Code	0x0
- ID-Code	0xB
- ID-Code1	0xF
- ID-Code2	0xE
AS-i Inputs	
- Channel 1	Data bits DI 0/DI 1= dynamic code transmission
- Channel 2	Data bits DI 2/DI 3= dynamic code transmission
AS-i Outputs	DO 0....DO 3 not used

AS-i Parameter bits	P0....P3 not used
AS-i input module address	0
- Default on address 0, programmable via the AS-Interface Master or Hand-held programming device	

LED switching conditions display

LED switching conditions display (Y/N)	Yes
AS-i LED switching conditions display	
(1) green/red LED (AS-i duo LED)	Supply voltage / Communication error / slave address = 0
(2) yellow LED	Enabling status

ATEX

Explosion protection categories for gases	None
Explosion protected category for dusts	None

Dimensions

Dimensions of the sensor	
- Width of sensor	88 mm
- Height of sensor	25 mm
- Length of sensor	13 mm

Pin assignment

1	AS-i +
2	None
3	AS-i -
4	None

Included in delivery

Actuators must be ordered separately.

Ordering code

BNS 36 (1)-AS-(2)

(1)

without

STG

STW

(2)

L

R

Pre-wired cable 2 m

Pre-wired cable with Connector M12, straight 4-pole

Pre-wired cable with Connector M12, angled, 4-pole

Door hinge left

Door hinge right

Documents

Operating instructions and Declaration of conformity (it) 320 kB, 08.09.2011

Code: mrl_bns36as_it

Operating instructions and Declaration of conformity (es) 321 kB, 08.09.2011

Code: mrl_bns36as_es

Operating instructions and Declaration of conformity (de) 328 kB, 08.09.2011

Code: mrl_bns36as_de

Operating instructions and Declaration of conformity (nl) 329 kB, 08.09.2011

Code: mrl_bns36as_nl

Operating instructions and Declaration of conformity (jp) 413 kB, 28.09.2011

Code: mrl_bns36as_jp

Operating instructions and Declaration of conformity (en) 327 kB, 14.09.2011

Code: mrl_bns36as_en

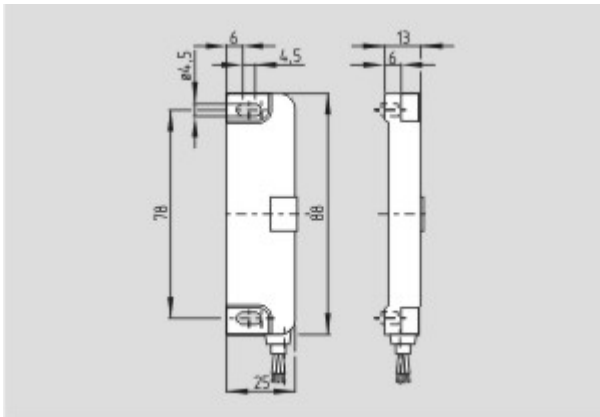
Operating instructions and Declaration of conformity (fr) 323 kB, 08.09.2011

Code: mrl_bns36as_fr

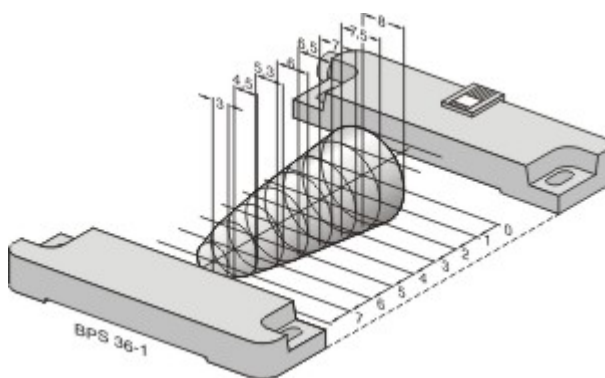
Operating instructions and Declaration of conformity (pl) 223 kB, 30.07.2013

Code: mrl_bns36as_pl

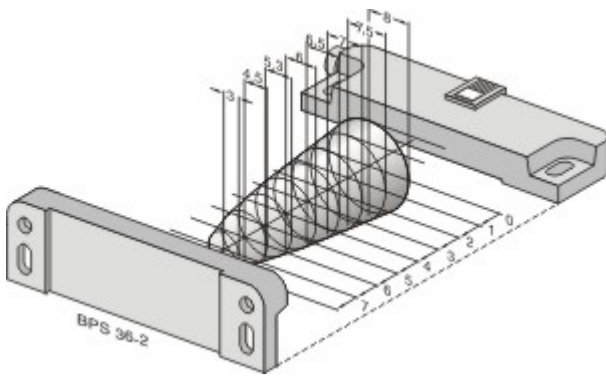
Images



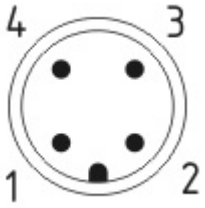
Dimensional drawing (basic component)



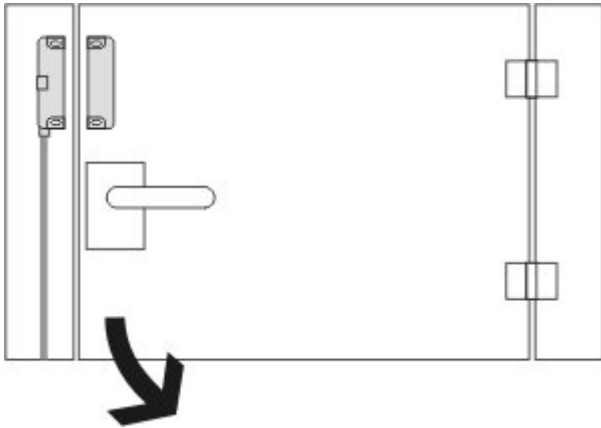
Characteristic curve



Characteristic curve



Contact arrangement



Operating principle

System components

Actuator



101191859 - BPS 36-2

- Actuator 90° attached to the sensor



101190052 - BPS 36-1

- Actuator and sensor on a mounting level

Accessories

101188624 - SPACER BNS 36



- to mount the magnetic safety sensor and actuator on ferromagnetic material

K.A. Schmersal GmbH & Co. KG, Möddinghofe 30, D-42279 Wuppertal

The data and values have been checked thoroughly. Technical modifications and errors excepted.

Generiert am 05.03.2014 - 10:31:11h Kasbase 2.2.18.F DBI

