

## Datasheet - SZ 415-2



Safety switch with separate actuator / AZ 16 / Door-handle system STS / Accessories /  
Lockout tag SZ 415

Preferred typ



- Suitable for mounting inside and outside of the hazardous area
- To prevent inadvertent closing, e.g. during maintenance
- For complex plant
- Prevents actuation of the switch
- Lockout tag with 3 circular holes

(Minor differences between the printed image and the original product may exist!)

### Ordering details

Product type description	SZ 415-2
Article number	101147932
EAN code	4030661144993

### Global Properties

Product name	Sperrzange SZ 415
Weight	95 g

### Mechanical data

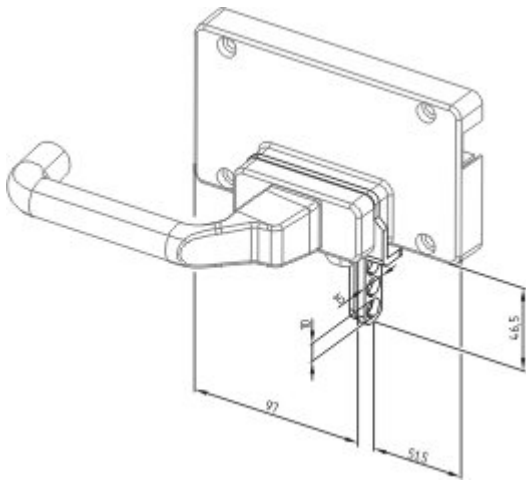
Door hinge	left
------------	------

### Documents

**Mounting and wiring instructions** (de, en, fr, it, es, jp) 216 kB, 02.10.2002

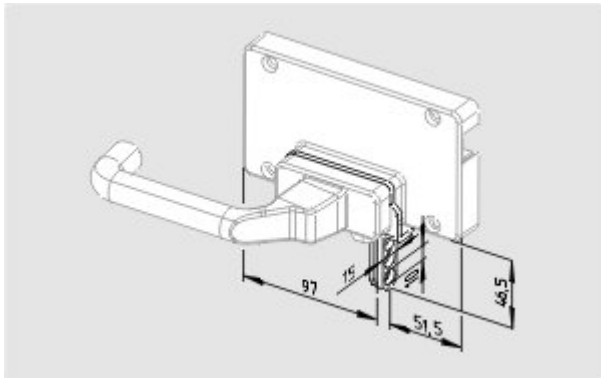
Code: m\_z41p04

### Images



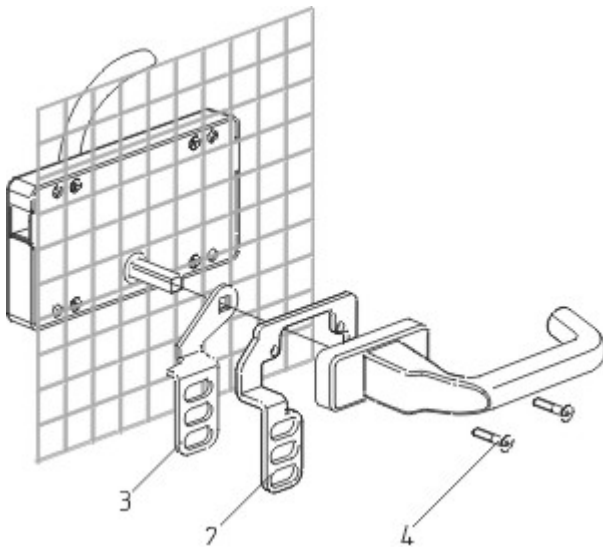
Dimensional drawing (miscellaneous)

---



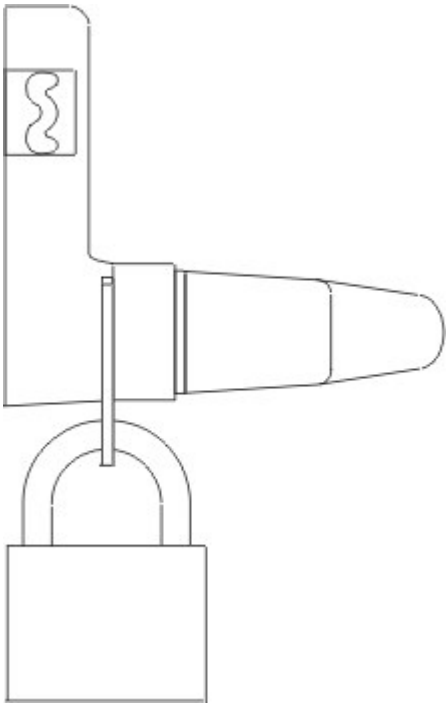
Dimensional drawing (miscellaneous)

---



Assembly example

---



Operating principle

---

K.A. Schmersal GmbH & Co. KG, Möddinghofe 30, D-42279 Wuppertal  
The data and values have been checked thoroughly. Technical modifications and errors excepted.  
Generiert am 21.03.2014 - 16:36:50h Kasbase 2.2.18.F DBI

Image

Image  
et=sS  
e