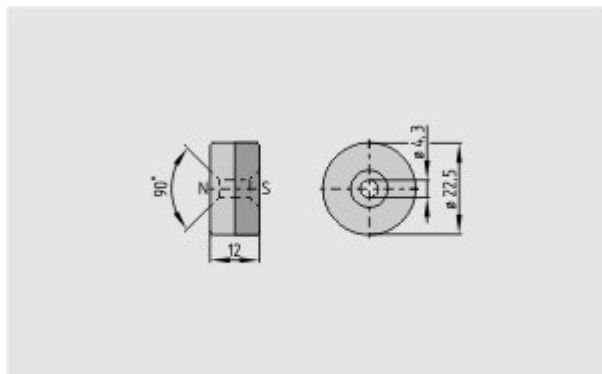


## Datasheet - BP 15

Magnetic reed switch / Actuator



Preferred typ



(Minor differences between the printed image and the original product may exist!)

- thermoplastic enclosure
- N-pole marked green
- S-pole marked red
- Suitable for mounting on ferrous material with a distance of 18 mm

### Ordering details

Product type description	BP 15
Article number	101060163
EAN code	4030661039589

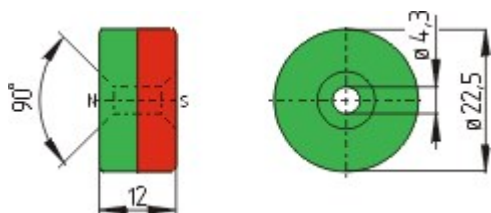
### Global Properties

Product name	Magnet
Weight	15 g
Special characteristics	thermoplastic enclosure

### Dimensions

Dimensions of the actuators	
- Width of the actuator	12 mm
- Diameter of the actuator	22.5 mm

### Images



Dimensional drawing (miscellaneous)

Image

Image  
et=sS  
e