

Datasheet - BPS 303 SS

Safety sensors / BNS 303 / Actuator



Preferred typ

- Suitable for food processing industry



(Minor differences between the printed image and the original product may exist!)

Ordering details

Product type description	BPS 303 SS
Article number	101141156
EAN code	4030661121079

Global Properties

Product name	Magnet
Materials	
- Material of the housings	Stainless steel
Weight	62 g

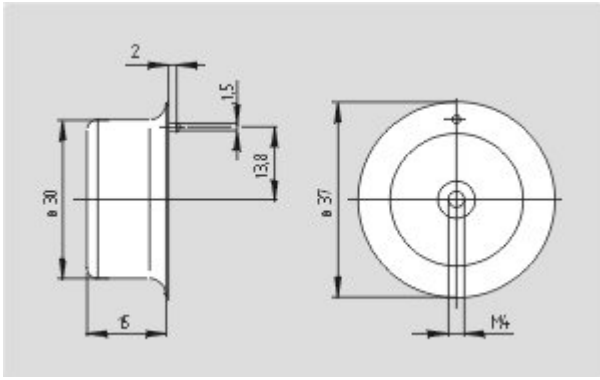
Dimensions

Dimensions of the actuators	
- Width of the actuator	15 mm
- Diameter of the actuator	37 mm

Included in delivery

tamperproof screws	1 piece
--------------------	---------

Images



Dimensional drawing (miscellaneous)

K.A. Schmersal GmbH & Co. KG, Möddinghofe 30, D-42279 Wuppertal

The data and values have been checked thoroughly. Technical modifications and errors excepted.

Generiert am 14.03.2014 - 16:52:30h Kasbase 2.2.18.F DBI

Image

Image
et=sS