

Datasheet - BPS 250

Safety sensors / BNS 250 / Actuator

 Preferred typ

• thermoplastic enclosure



(Minor differences between the printed image and the original product may exist!)

Ordering details

Product type description	BPS 250
Article number	101120594
EAN code	4030661049168

Global Properties

Product name	Magnet
Materials	
- Material of the housings	Plastic
Weight	15 g

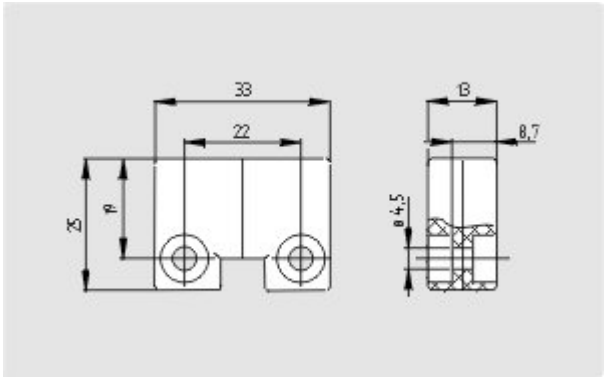
Dimensions

Dimensions of the actuators	
- Width of the actuator	33 mm
- Height of the actuator	25 mm
- Length of the actuator	13 mm

Included in delivery

tamperproof screws	2 piece
--------------------	---------

Images



Dimensional drawing (miscellaneous)

K.A. Schmersal GmbH & Co. KG, Möddinghofe 30, D-42279 Wuppertal
The data and values have been checked thoroughly. Technical modifications and errors excepted.
Generiert am 11.03.2014 - 14:47:35h Kasbase 2.2.18.F DBI

