

Datasheet - BPS 36-2

Safety sensors / BNS 36 / Actuator



Preferred typ

- Actuator 90° attached to the sensor



(Minor differences between the printed image and the original product may exist!)

Ordering details

Product type description	BPS 36-2
Article number	101191859
EAN code	4030661359670

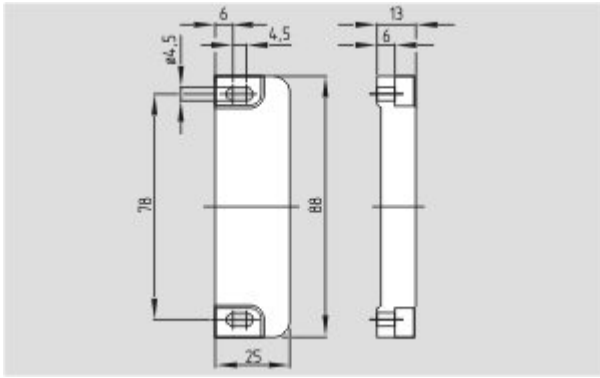
Global Properties

Product name	Magnet
Materials	
- Material of the housings	Plastic
Weight	22.5 g
Actuator and sensor on a mounting level (Y/N)	No
notice	Actuator 90 ° attached to the sensor

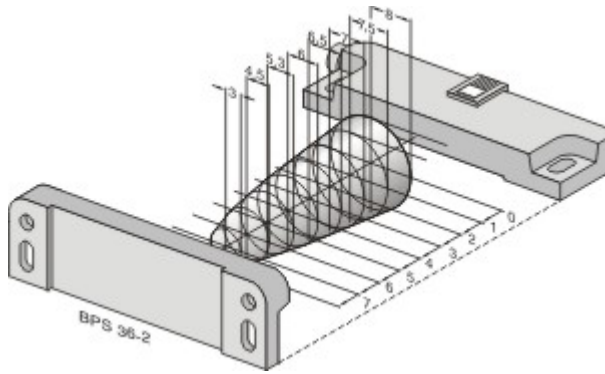
Dimensions

Dimensions of the actuators	
- Width of the actuator	88 mm
- Height of the actuator	25 mm
- Length of the actuator	7 mm

Images



Dimensional drawing (actuator)



Characteristic curve

K.A. Schmersal GmbH & Co. KG, Mödinghofe 30, D-42279 Wuppertal
 The data and values have been checked thoroughly. Technical modifications and errors excepted.
 Generiert am 10.03.2014 - 17:20:17h Kasbase 2.2.18.F DBI

