

## Datasheet - AZ 17-B6

Safety switch with separate actuator / AZ 17 / Actuator



Preferred typ



- For very small actuating radii
- The direction of actuation can be selected by applicable insertion of the insert

(Minor differences between the printed image and the original product may exist!)

### Ordering details

Product type description	AZ 17-B6
Article number	101126060
EAN code	4030661104430

### Global Properties

Product name	Beweglicher Betätiger B6
Weight	20 g

### Mechanical data

Design of actuators	flexible
Minimum actuating radius	50 mm

### notice

Actuating radius adjustable, minimum 50 mm, using an hexagonal key wrench 2 mm A/F ( a and b)  
The axis of the hinge should be 11 mm above the top edge of the safety switch and in the same plane

### Documents

**Operating instructions and Declaration of conformity** (de) 316 kB, 05.02.2014

Code: mrl\_az17-azm170-betaetiger\_de

**Operating instructions and Declaration of conformity (it)** 117 kB, 10.02.2014

Code: mrl\_az17-azm170-betaetiger\_it

**Operating instructions and Declaration of conformity (en)** 116 kB, 24.02.2014

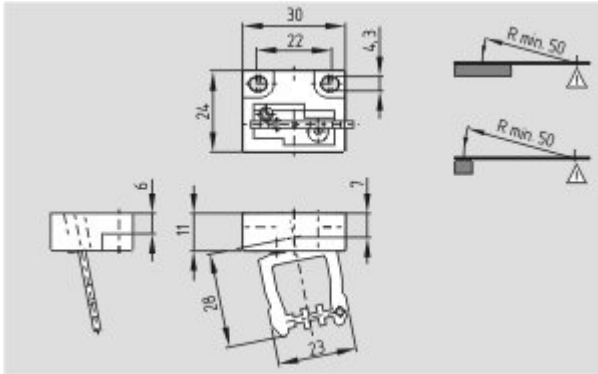
Code: mrl\_az17-azm170-betaetiger\_en

**Operating instructions and Declaration of conformity (es)** 117 kB, 12.02.2014

Code: mrl\_az17-azm170-betaetiger\_es

## Images

---



Dimensional drawing (actuator)

---

K.A. Schmersal GmbH & Co. KG, Mödinghofe 30, D-42279 Wuppertal

The data and values have been checked thoroughly. Technical modifications and errors excepted.

Generiert am 05.03.2014 - 17:12:32h Kasbase 2.2.18.F DBI

