



Mounting Form Table

P200
20 A up to 25 A

Section

Front Mounting Switches	A
Base Mounting Switches	B
Enclosed Switches	C
Accessories	D

Originator: Sälzer Electric GmbH · Product Data Management (PDM) · 09306 Rochlitz (Germany)
Copyright reserved by Sälzer Electric GmbH. This document replaces all previous issues.
Valid until a new version is published. Changes and revisions reserved.

Mounting Form Table



Mtg. form	Page		Mtg. form	Page		Mtg. form	Page		Mtg. form	Page	
002M1	B1-1	(74)	037N1	B2-21	(106)	133M1	A5-2	(64)	216M4	A3-4	(54)
003M1	A1-1	(5)	037N4	B2-21	(106)	133M4	A5-2	(64)	216N1	A3-5	(55)
003V1	A1-2	(6)	037V1	B2-22	(107)	133N1	A5-3	(65)	216N4	A3-5	(55)
004V1	A1-2	(6)	037V4	B2-22	(107)	133N4	A5-3	(65)	216V1	A3-8	(58)
005M1	A1-3	(7)	038M1	B3-20	(128)	133V1	A5-4	(66)	216V4	A3-8	(58)
005V1	A1-4	(8)	038M4	B3-20	(128)	133V4	A5-4	(66)	218M1	A2-10	(48)
012M1	B1-2	(75)	038N1	B3-21	(129)	135M1	B3-16	(124)	219M1	A2-1	(39)
013M1	A1-5	(9)	038N4	B3-21	(129)	135M4	B3-16	(124)	219V1	A2-2	(40)
013V1	A1-6	(10)	038V1	B3-22	(130)	139V1	A1-4	(8)	220V1	A2-2	(40)
014V1	A1-6	(10)	038V4	B3-22	(130)	140M1	A5-5	(67)	226V1	A2-9	(47)
015M1	A1-7	(11)	040V1	B2-4	(89)	141M1	A5-6	(68)	226V4	A2-9	(47)
015V1	A1-8	(12)	041M1	B2-3	(88)	142M1	A5-7	(69)	231M1	B2-15	(100)
021M1	B1-5	(78)	041V1	B2-4	(89)	143M1	A5-8	(70)	231M4	B2-15	(100)
022M1	B1-6	(79)	042M1	B3-3	(111)	144M1	A5-9	(71)	232M1	B2-9	(94)
024B3	A4-3	(62)	042V1	B2-4	(112)	145M1	A5-10	(72)	232M4	B2-9	(94)
025N3	A4-1	(60)	043V1	B2-4	(112)	150M1	A1-32	(36)	232N1	B2-10	(95)
026M1	B1-9	(82)	046V1	B2-8	(93)	151M1	A1-33	(37)	232N4	B2-10	(95)
026N2	B1-10	(83)	047M1	B2-7	(92)	152M1	A1-34	(38)	232V1	B2-11	(96)
026V1	B1-11	(84)	047V1	B2-8	(93)	155M1	B1-3	(76)	232V4	B2-11	(96)
026V4	B1-11	(84)	048M1	B3-7	(115)	156M1	B1-4	(77)	234M1	B3-9	(117)
027V1	B1-12	(85)	048V1	B3-8	(116)	157M1	B1-7	(80)	234M4	B3-9	(117)
028V1	B1-12	(85)	049V1	B3-8	(116)	158M1	B1-8	(81)	234N1	B3-10	(118)
031M1	B2-16	(101)	060M1	A1-9	(13)	176M1	C1-2	(134)	234N4	B3-10	(118)
031M4	B2-16	(101)	062M1	A1-10	(14)	176V1	C1-4	(136)	234V1	B3-11	(119)
032M1	B2-12	(97)	064M1	A1-11	(15)	177M1	C1-6	(138)	234V4	B3-11	(119)
032M4	B2-12	(97)	064V1	A1-12	(16)	177M4	C1-6	(138)	235M1	B3-15	(123)
032N1	B2-13	(98)	065M1	A1-13	(17)	177N1	C1-8	(140)	235M4	B3-15	(123)
032N4	B2-13	(98)	065V1	A1-14	(18)	177N4	C1-8	(140)	237M1	B2-17	(102)
032V1	B2-14	(99)	076M1	C1-1	(133)	177V1	C1-10	(142)	237M4	B2-17	(102)
032V4	B2-14	(99)	076V1	C1-3	(135)	177V4	C1-10	(142)	237N1	B2-18	(103)
033M1	A1-15	(19)	077M1	C1-5	(137)	178V1	C1-4	(136)	237N4	B2-18	(103)
033M4	A1-15	(19)	077M4	C1-5	(137)	203V1	A3-3	(53)	237V1	B2-19	(104)
033N1	A1-16	(20)	077N1	C1-7	(139)	204M1	A3-2	(52)	237V4	B2-19	(104)
033N4	A1-16	(20)	077N4	C1-7	(139)	204V1	A3-3	(53)	238M1	B3-17	(125)
033V1	A1-17	(21)	077V1	C1-9	(141)	205M1	A2-8	(46)	238M4	B3-17	(125)
033V4	A1-17	(21)	077V4	C1-9	(141)	205M4	A2-8	(46)	238N1	B3-18	(126)
034M1	B3-12	(120)	078V1	C1-3	(135)	206M1	A2-5	(43)	238N4	B3-18	(126)
034M4	B3-12	(120)	103M1	A1-22	(26)	206M4	A2-5	(43)	238V1	B3-19	(127)
034N1	B3-13	(121)	113M1	A1-23	(27)	206N1	A2-6	(44)	238V4	B3-19	(127)
034N4	B3-13	(121)	120M1	A1-24	(28)	206N4	A2-6	(44)	240V1	B2-2	(87)
034V1	B3-14	(122)	121M1	A1-25	(29)	206V1	A2-7	(45)	241M1	B2-1	(86)
034V4	B3-14	(122)	122M1	A1-26	(30)	206V4	A2-7	(45)	241V1	B2-2	(87)
035M1	A1-18	(22)	130M1	A1-27	(31)	208M1	A3-9	(59)	242M1	B3-1	(109)
035M4	A1-18	(22)	130M4	A1-27	(31)	209M1	A3-1	(51)	242V1	B3-2	(110)
036M1	A1-19	(23)	130N1	A1-28	(32)	213V1	A2-4	(42)	243V1	B3-2	(110)
036M4	A1-19	(23)	130N4	A1-28	(32)	214M1	A2-3	(41)	246V1	B2-6	(91)
036N1	A1-20	(24)	131M1	A1-29	(33)	214V1	A2-4	(42)	247M1	B2-5	(90)
036N4	A1-20	(24)	131M4	A1-29	(33)	215M1	A3-7	(57)	247V1	B2-6	(91)
036V1	A1-21	(25)	132M1	A1-30	(34)	215M4	A3-7	(57)	248M1	B3-5	(113)
036V4	A1-21	(25)	132M4	A1-30	(34)	215V1	A3-6	(56)	248V1	B3-6	(114)
037M1	B2-20	(105)	132N1	A1-31	(35)	215V4	A3-6	(56)	249V1	B3-6	(114)
037M4	B2-20	(105)	132N4	A1-31	(35)	216M1	A3-4	(54)	503M1	A5-1	(63)

red coloured:
New mounting forms

further information
page MFT-2

Mounting Form Table

Mtg. form	Page	Mtg. form	Page	Mtg. form	Page	Mtg. form	Page
E001.	C1-11 (143)	AVC2-.	B3-23 (131)	FAZ2-....	D2-1 (147)		
R001.	A2-12 (50)	AVC2-.	D1-2 (146)	FAS2-....	D2-2 (148)		
S001.	A2-11 (49)	AVD2	B2-23 (108)	FBS2-....	D2-2 (148)		
U001.	A4-2 (61)	AVD2	D1-1 (145)	218098	D3-1 (149)		

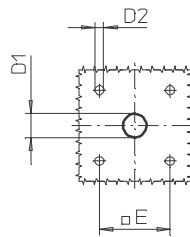
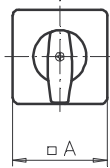
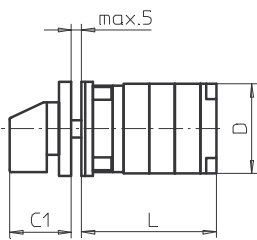
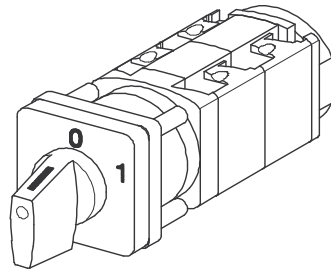
red coloured:
New mounting forms

Section A

	Page	
	from	to
Four hole mounting	A1-1	A1-34
Single hole mounting \varnothing 22,5 mm	A2-1	A2-12
Single hole mounting \varnothing 30,5 mm	A3-1	A3-9
Wall mounting	A4-1	A4-3
Two hole mounting	A5-1	A5-10

Front Mounting Switches

sälzer



**Product line
P200**

Front mounting switch

**Four hole mounting
36 x 36 mm**

003M1 (IP66)

Complete switch	Poles	Product line	Rated data (IEC 60947)			Order code number
			Operational current I _e	Operational power at 380–440 V		
			AC-21A A	AC-23A kW	AC-3 kW	
Rotary Cam Switches Switching angle 30°/45°/60°/90°	1 ... 24	P200	20 25	7,5 11	5,5 7,5	P220 - 61 ... - 003M1 P225 - 61 ... - 003M1

SMD modules for basic switch A01

Mounting form module for 003M1

P200

BFB2 - 003

M-operator module 48 x 48 mm, mounting form 003M1

2AM1

Escutcheon black, handle black

Legend plate silver, operator module 003M1

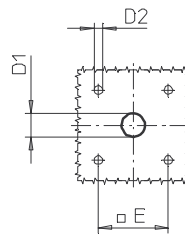
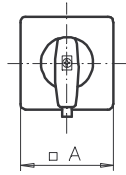
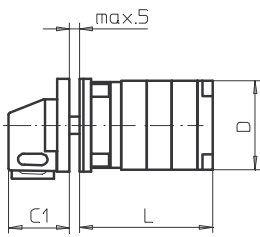
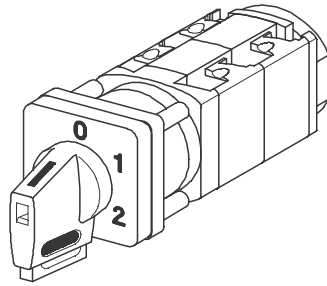
FAS2 - (FA number)

Dimensions (mm)

Type	A	C1	D	D1	D2	E	L with ... stages (max. 12)							each add. stage
							1	2	3	4	5	6	7	
P220	48	32	44	12	4,5	36	47	60	73	86	99	112	125	13
P221	48	32	44	12	4,5	36	50,5	67	83,5	100	116,5	133	149,5	16,5
P225	48	32	46	12	4,5	36	51	66	81	96	111	126	141	15
P226	48	32	46	12	4,5	36	54,5	73	91,5	110	128,5	147	165,5	18,5

Front Mounting Switches

sälzer



**Product line
P200**

Front mounting switch

Four hole mounting
36 x 36 mm

003V1 (IP66)

004V1 (IP66)

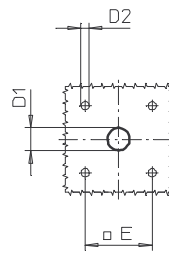
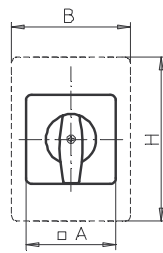
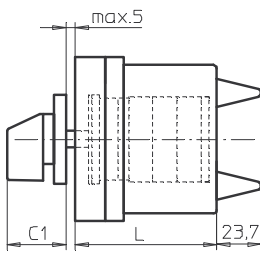
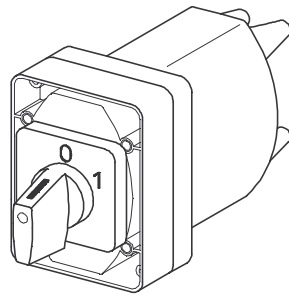
Complete switch	Poles	Product line	Rated data (IEC 60947)			Order code number
			Operational current I _e	Operational power at 380–440 V		
			AC-21A A	AC-23A kW	AC-3 kW	
Rotary Cam Switches Switching angle 30°/45°/60°/90° Padlockable 12h	1 ... 24	P200	20	7,5	5,5	P220 - 61 ... - 003V1
			25	11	7,5	P225 - 61 ... - 003V1
Rotary Cam Switches Switching angle 90° 3 positions padlockable (09h/12h/03h)	1 ... 24	P200	20	7,5	5,5	P220 - 61 ... - 004V1
			25	11	7,5	P225 - 61 ... - 004V1

SMD modules for basic switch A01			
Mounting form module for 003V1/ 004V1		P200	BFB2 - 003
V-operator module 48 x 48 mm, mounting form 003V1 Escutcheon black, handle black			2AV1 - 12
V-operator module 48 x 48 mm, mounting form 004V1 Escutcheon black, handle black			2AV1 - 99
Legend plate silver, operator module 003V1/ 004V1			FAS2 - (FA number)

Type	Dimensions (mm)						L with ... stages (max. 12)							each add. stage
	A	C1	D	D1	D2	E	1	2	3	4	5	6	7	
P220	48	32	44	12	4,5	36	47	60	73	86	99	112	125	13
P221	48	32	44	12	4,5	36	50,5	67	83,5	100	116,5	133	149,5	16,5
P225	48	32	46	12	4,5	36	51	66	81	96	111	126	141	15
P226	48	32	46	12	4,5	36	54,5	73	91,5	110	128,5	147	165,5	18,5

Front Mounting Switches

sälzer



**Product line
P200**

Front mounting switch
With dust protection cover

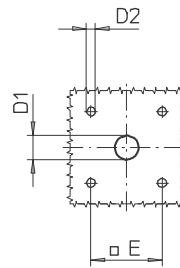
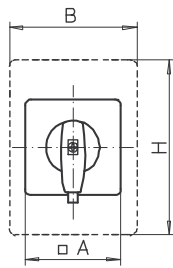
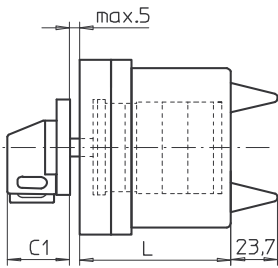
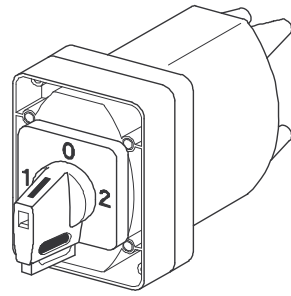
Four hole mounting
36 x 36 mm

005M1 (IP66)

Complete switch	Poles	Product line	Rated data (IEC 60947)			Order code number				
			Operational current I _e	Operational power at 380–440 V						
			AC-21A A	AC-23A kW	AC-3 kW					
Rotary Cam Switches	1 ... 6	P200	20	7,5	5,5	P220 - 61 ... - 005M1				
Switching angle 30°/45°/60°/90°	1 ... 4		25	11	7,5	P225 - 61 ... - 005M1				
SMD modules for basic switch A01										
Mounting form module for 005M1			P200			BFA2 - 005				
M-operator module 48 x 48 mm, mounting form 005M1						2AM1				
Escutcheon black, handle black										
Legend plate silver, operator module 005M1						FAS2 -				
Dimensions (mm)										
Type	A	B	C1	D1	D2	E	H	L with ... stages		
								1	2	3
P220	48	64	32	12	4,5	36	88	80	80	80
P221	48	64	32	12	4,5	36	88	80	80	-
P225	48	64	32	12	4,5	36	88	80	80	-
P226	48	64	32	12	4,5	36	88	80	80	-

Front Mounting Switches

sälzer



Product line
P200

Front mounting switch
With dust protection cover

Four hole mounting
36 x 36 mm

005V1 (IP66)

139V1 (IP66)

Complete switch	Poles	Product line	Rated data (IEC 60947)			Order code number
			Operational current I _e	Operational power at 380–440 V		
			AC-21A A	AC-23A kW	AC-3 kW	
Rotary Cam Switches Switching angle 30°/45°/60°/90° Padlockable 12h	1 ... 6*	P200	20	7,5	5,5	P220 - 61 ... - 005V1
	1 ... 4		25	11	7,5	P225 - 61 ... - 005V1
Rotary Cam Switches Switching angle 90° 3 positions padlockable (09h/12h/03h)	1 ... 6*	P200	20	7,5	5,5	P220 - 61 ... - 139V1
	1 ... 4		25	11	7,5	P225 - 61 ... - 139V1

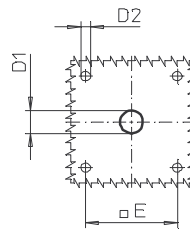
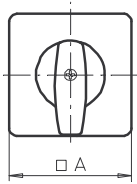
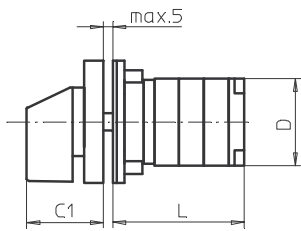
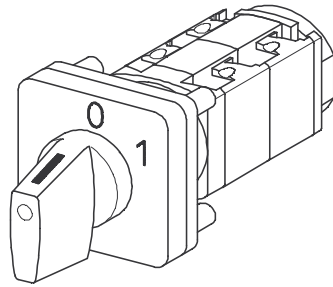
* For P220

SMD modules for basic switch A01			
Mounting form module for 005V1/ 139V1		P200	BFA2 - 005
V-operator module 48 x 48 mm, mounting form 005V1 Escutcheon black, handle black			2AV1 - 12
V-operator module 48 x 48 mm, mounting form 139V1 Escutcheon black, handle black			2AV1 - 99
Legend plate silver, operator module 005V1/ 139V1			FAS2 - (FA number)

Dimensions (mm)										
Type	A	B	C1	D1	D2	E	H	L with ... stages		
								1	2	3
P220	48	64	32	12	4,5	36	88	80	80	80
P221	48	64	32	12	4,5	36	88	80	80	-
P225	48	64	32	12	4,5	36	88	80	80	-
P226	48	64	32	12	4,5	36	88	80	80	-

Front Mounting Switches

sälzer



**Product line
P200**

Front mounting switch
Operator module of next size

Four hole mounting
48 x 48 mm

013M1 (IP66)

Complete switch	Poles	Product line	Rated data (IEC 60947)			Order code number
			Operational current I _e	Operational power at 380–440 V		
			AC-21A A	AC-23A kW	AC-3 kW	
Rotary Cam Switches Switching angle 30°/45°/60°/90°	1 ... 24	P200	20 25	7,5 11	5,5 7,5	P220 - 61 ... - 013M1 P225 - 61 ... - 013M1

SMD modules for basic switch A01

Mounting form module for 013M1

P200

BFB2 - 013

M-operator module 64 x 64 mm, mounting form 013M1

4AM1

Escutcheon black, handle black

Legend plate silver, operator module 013M1

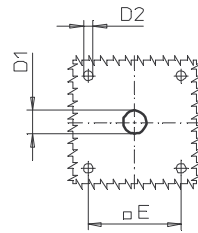
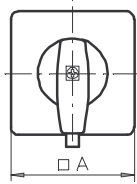
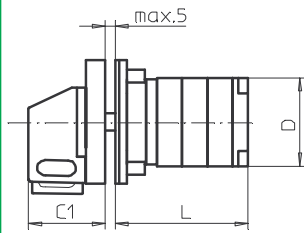
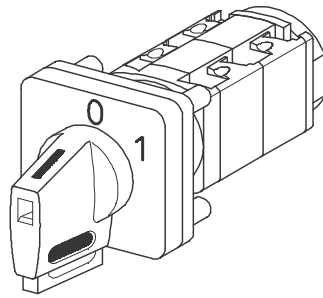
FAS4 - (FA number)

Dimensions (mm)

Type	A	C1	D	D1	D2	E	L with ... stages (max. 12)							each add. stage
							1	2	3	4	5	6	7	
P220	64	39	44	15	5	48	47	60	73	86	99	112	125	13
P221	64	39	44	15	5	48	50,5	67	83,5	100	116,5	133	149,5	16,5
P225	64	39	46	15	5	48	51	66	81	96	111	126	141	15
P226	64	39	46	15	5	48	54,5	73	91,5	110	128,5	147	165,5	18,5

Front Mounting Switches

sälzer



Product line
P200

Front mounting switch
Operator module of next size

Four hole mounting
48 x 48 mm

013V1 (IP66)
014V1 (IP66)

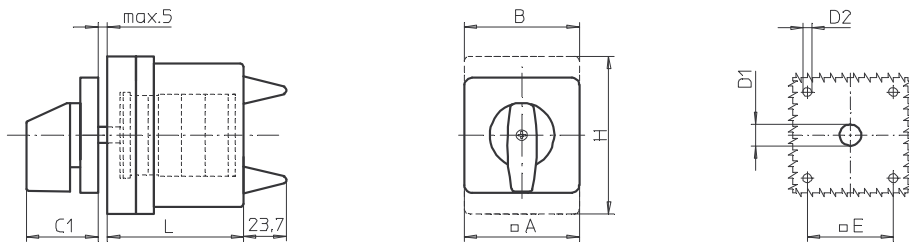
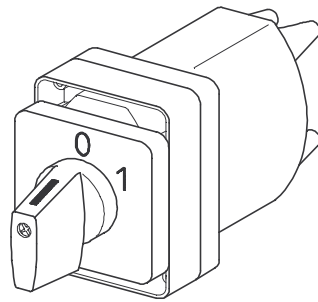
Complete switch	Poles	Product line	Rated data (IEC 60947)			Order code number
			Operational current I _e	Operational power at 380–440 V		
			AC-21A A	AC-23A kW	AC-3 kW	
Rotary Cam Switches Switching angle 30°/45°/60°/90° Padlockable 12h	1 ... 24	P200	20 25	7,5 11	5,5 7,5	P220 - 61 ... - 013V1 P225 - 61 ... - 013V1
Rotary Cam Switches Switching angle 30°/45°/60°/90° 3 positions padlockable (09h/12h/03h)	1 ... 24	P200	20 25	7,5 11	5,5 7,5	P220 - 61 ... - 014V1 P225 - 61 ... - 014V1

SMD modules for basic switch A01			
Mounting form module for 013V1/ 014V1		P200	BFB2 - 013
V-operator module 64 x 64 mm, mounting form 013V1 Escutcheon black, handle black			4AV1 - 12
V-operator module 64 x 64 mm, mounting form 014V1 Escutcheon black, handle black			4AV1 - 99
Legend plate silver, operator module 013V1/ 014V1			FAS4 - (FA number)

Type	Dimensions (mm)						L with ... stages (max. 12)							each add. stage
	A	C1	D	D1	D2	E	1	2	3	4	5	6	7	
P220	64	39	44	15	5	48	47	60	73	86	99	112	125	13
P221	64	39	44	15	5	48	50,5	67	83,5	100	116,5	133	149,5	16,5
P225	64	39	46	15	5	48	51	66	81	96	111	126	141	15
P226	64	39	46	15	5	48	54,5	73	91,5	110	128,5	147	165,5	18,5

Front Mounting Switches

sälzer



**Product line
P200**

Front mounting switch
With dust protection cover
Operator module of next size

Four hole mounting
48 x 48 mm

015M1 (IP66)

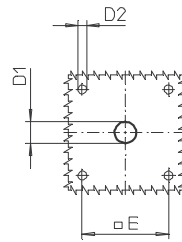
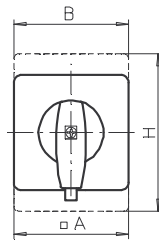
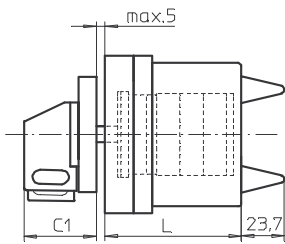
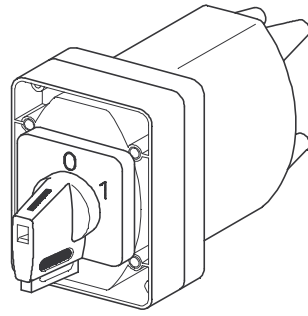
Complete switch	Poles	Product line	Rated data (IEC 60947)			Order code number
			Operational current I _e	Operational power at 380–440 V		
			AC-21A A	AC-23A kW	AC-3 kW	
Rotary Cam Switches	1 ... 6	P200	20	7,5	5,5	P220 - 61 ... - 015M1
Switching angle 30°/45°/60°/90°	1 ... 4		25	11	7,5	P225 - 61 ... - 015M1

SMD modules for basic switch A01			
Mounting form module for 015M1		P200	BFA2 - 015
M-operator module 64 x 64 mm, mounting form 015M1			4AM1
Escutcheon black, handle black			FAS4 - (FA number)
Legend plate silver, operator module 015M1			

Dimensions (mm)										
Type	A	B	C1	D1	D2	E	H	L with ... stages		
								1	2	3
P220	64	64	39	15	5	48	88	80	80	80
P221	64	64	39	15	5	48	88	80	80	-
P225	64	64	39	15	5	48	88	80	80	-
P226	64	64	39	15	5	48	88	80	80	-

Front Mounting Switches

sälzer



Product line
P200

Front mounting switch
With dust protection cover
Operator module of next size

Four hole mounting
48 x 48 mm

015V1 (IP66)

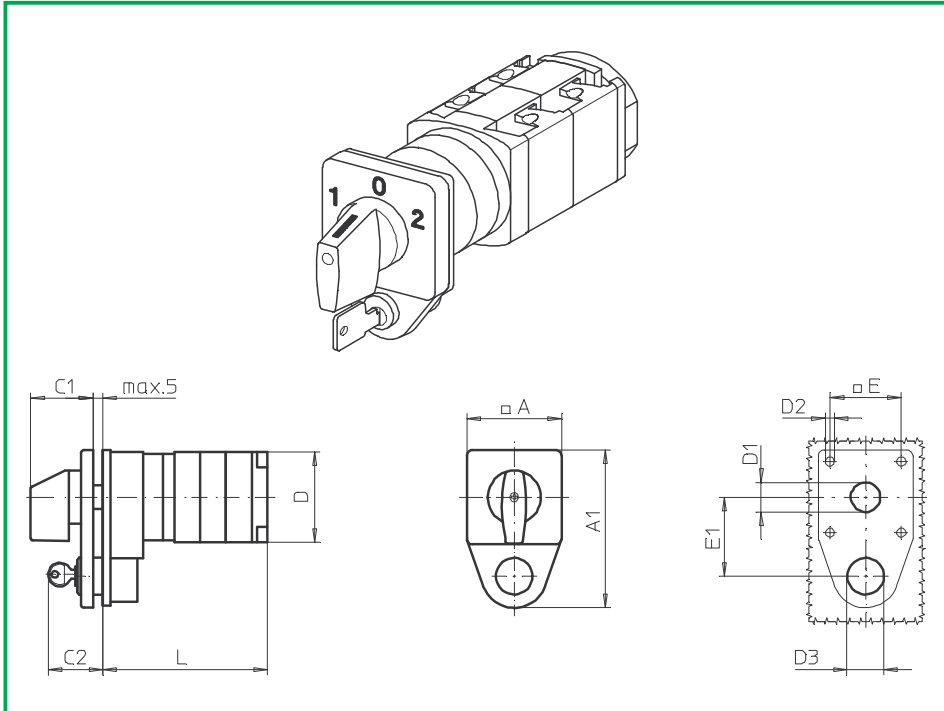
Complete switch	Poles	Product line	Rated data (IEC 60947)			Order code number
			Operational current I _e	Operational power at 380–440 V		
			AC-21A A	AC-23A kW	AC-3 kW	
Rotary Cam Switches	1 ... 6	P200	20	7,5	5,5	P220 - 61 ... - 015V1
Switching angle 30°/45°/60°/90°	1 ... 4		25	11	7,5	P225 - 61 ... - 015V1
Padlockable 12h						

SMD modules for basic switch A01			
Mounting form module for 015V1		P200	BFA2 - 015
V-operator module 64 x 64 mm, mounting form 015V1			4AV1 - 12
Escutcheon black, handle black			FAS4 - (FA number)
Legend plate silver, operator module 015V1			

Type	Dimensions (mm)								L with ... stages		
	A	B	C1	D1	D2	E	H	1	2	3	
P220	64	64	39	15	5	48	88	80	80	80	
P221	64	64	39	15	5	48	88	80	80	-	
P225	64	64	39	15	5	48	88	80	80	-	
P226	64	64	39	15	5	48	88	80	80	-	

Front Mounting Switches

sälzer



**Product line
P200**

Front mounting switch
with cylinder lock device
Key number CL1

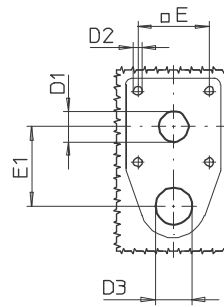
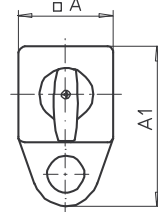
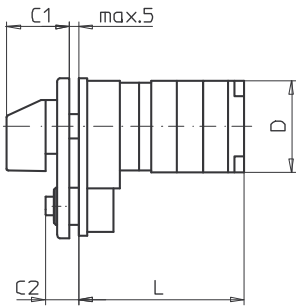
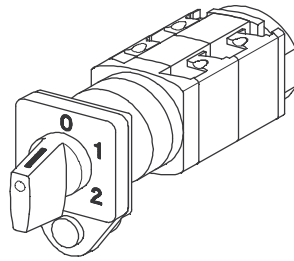
Four hole mounting
36 x 36 mm

060M1 (IP40)

Complete switch	Poles	Product line	Rated data (IEC 60947)			Order code number									
			Operational current I _e	Operational power at 380–440 V											
			AC-21A A	AC-23A kW	AC-3 kW										
Rotary Cam Switches Switching angle 30°/45°/60°/90°	1 ... 24	P200	20 25	7,5 11	5,5 7,5	P220 - 61 ... - 060M1 P225 - 61 ... - 060M1									
Position „OFF“ or start position locked, 2 keys															
Other locking arrangements available, please specify upon request.															
2 keys, key number CL1 Key removable only when switch is locked															
SMD modules for basic switch A01															
Mounting form module for 060M1				P200		BFA2 - 060									
M-operator module, mounting form 060M1						2OM1									
Escutcheon black, handle black															
Legend plate silver, operator module 060M1						FAS2 - (FA number)									
Dimensions (mm)															
Type	A	A1	C1	C2	D	D1	D2	D3	E	E1	L with ... stages (max. 12)				each add. stage
											1	2	3	4	
P220	48	80	32	40	46	15	4,5	19	36	40	61	74	87	100	13
P221	48	80	32	40	46	15	4,5	19	36	40	64,5	81	97,5	114	16,5
P225	48	80	32	40	48	15	4,5	19	36	40	65	80	95	110	15
P226	48	80	32	40	50	15	4,5	19	36	40	68,5	87	105,5	124	18,5

Front Mounting Switches

sälzer



**Product line
P200**

Front mounting switch
Push-button operated
safety interlock

Four hole mounting
36 x 36 mm

062M1 (IP40)

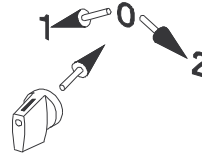
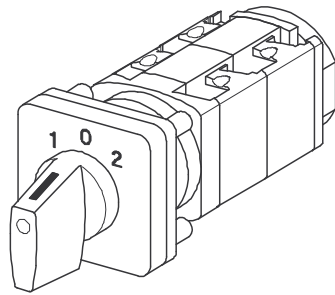
Complete switch	Poles	Product line	Rated data (IEC 60947)			Order code number
			Operational current I _e	Operational power at 380–440 V		
			AC-21A A	AC-23A kW	AC-3 kW	
Rotary Cam Switches Switching angle 30°/45°/60°/90°	1 ... 24	P200	20 25	7,5 11	5,5 7,5	P220 - 61 ... - 062M1 P225 - 61 ... - 062M1
Position „OFF“ or start position locked, 2 keys						
Other locking arrangements available, please specify upon request.						
Dual action push button safety interlock						

SMD modules for basic switch A01			
Mounting form module for 062M1		P200	BFA2 - 062
M-operator module, mounting form 062M1			2OM1
Escutcheon black, handle black			
Legend plate silver, operator module 062M1			FAS2 - (FA number)

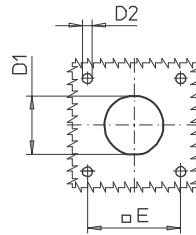
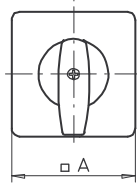
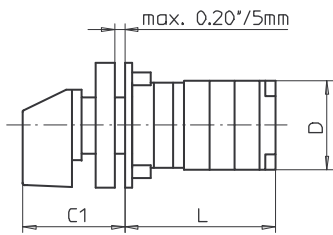
Type	Dimensions (mm)										L with ... stages (max. 12)				each add. stage
	A	A1	C1	C2	D	D1	D2	D3	E	E1	1	2	3	4	
P220	48	80	32	40	46	15	4,5	19	36	40	61	74	87	100	13
P221	48	80	32	40	46	15	4,5	19	36	40	64,5	81	97,5	114	16,5
P225	48	80	32	40	48	15	4,5	19	36	40	65	80	95	110	15
P226	48	80	32	40	50	15	4,5	19	36	40	68,5	87	105,5	124	18,5

Front Mounting Switches

sälzer



2. Push handle in starting position at 12h, then turn to position 1 or position 2 where required.



**Product line
P200**

Front mounting switch

**Four hole mounting
36 x 36 mm**

**Push-To-Turn
Adaptor ø 22,5 mm**

064M1 (IP40)

Complete switch	Poles	Product line	Rated data (IEC 60947)			Order code number
			Operational current I _e	Operational power at 380–440 V		
			AC-21A A	AC-23A kW	AC-3 kW	
Rotary Cam Switches	1 ... 16	P200	20 25	7,5 11	5,5 7,5	P220 - 61 ... - 064M1 P225 - 61 ... - 064M1
45° spring return to both direction, spring return to OFF						
Other switching angle or function for spring return and stay-put on request.						

SMD modules for basic switch A01

Mounting form module for 064M1	P200	BFA2 - 064
M-operator module 48 x 48 mm, mounting form 064M1		2PM1 - 12
Escutcheon black, M-handle black		
Legend plate silver, operator module 064M1		FAV2 - (FA number)

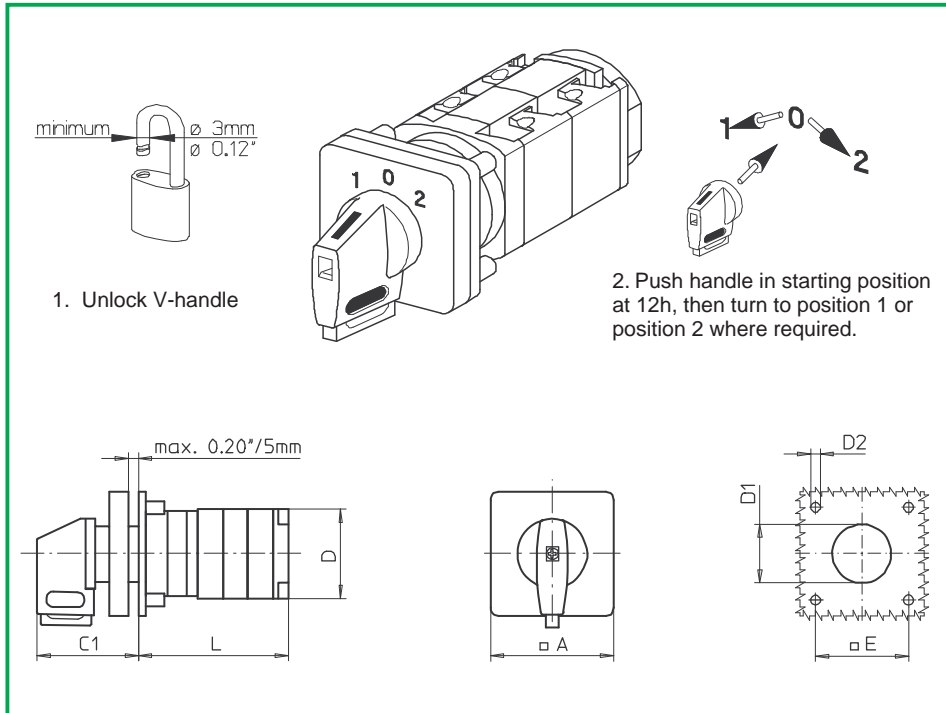
Dimensions (mm)

Type	A	C1	D	D1*	D2	E	L with ... stages (max. 8)							
							1	2	3	4	5	6	7	8
P220	48	45	44	22,5	4,5	36	56	69	82	95	108	121	134	147
P221	48	45	44	22,5	4,5	36	59,5	76	92,5	109	125,5	142	158,5	175
P225	48	45	46	22,5	4,5	36	60	75	90	105	120	135	150	165
P226	48	45	46	22,5	4,5	36	63,5	82	100,5	119	137,5	156	174,5	193

*) hole tool for single hole mounting ø 22,5 mm can be used.

Front Mounting Switches

sälzer



**Product line
P200**

Front mounting switch

**Four hole mounting
36 x 36 mm**

**Push-To-Turn
Adaptor \varnothing 22,5 mm**

064V1 (IP40)

Complete switch	Poles	Product line	Rated data (IEC 60947)			Order code number
			Operational current I_e	Operational power at 380–440 V		
			AC-21A A	AC-23A kW	AC-3 kW	
Rotary Cam Switches OFF position padlockable	1 ... 16	P200	20 25	7,5 11	5,5 7,5	P220 - 61 ... - 064V1 P225 - 61 ... - 064V1
45° spring return to both direction, spring return to OFF						
Other switching angle or function for spring return and stay-put on request.						

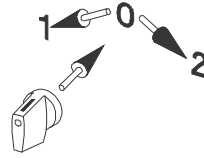
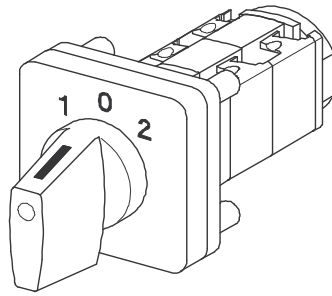
SMD modules for basic switch A01			
Mounting form module for 064V1		P200	BFA2 - 064
V-operator module 48 x 48 mm, mounting form 064V1			2PV1 - 12
Escutcheon black, V-handle black			
Legend plate silver, operator module 064V1			FAV2 - (FA number)

Dimensions (mm)														
Type	A	C1	D	D1*	D2	E	L with ... stages (max. 8)							
							1	2	3	4	5	6	7	8
P220	48	45	44	22,5	4,5	36	56	69	82	95	108	121	134	147
P221	48	45	44	22,5	4,5	36	59,5	76	92,5	109	125,5	142	158,5	175
P225	48	45	46	22,5	4,5	36	60	75	90	105	120	135	150	165
P226	48	45	46	22,5	4,5	36	63,5	82	100,5	119	137,5	156	174,5	193

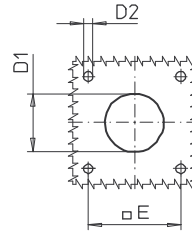
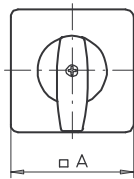
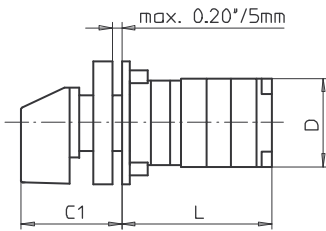
*) hole tool for single hole mounting \varnothing 22,5 mm can be used.

Front Mounting Switches

sälzer



2. Push handle in starting position at 12h, then turn to position 1 or position 2 where required.



Product line
P200

Front mounting switch
Operator module of next size

Four hole mounting
48 x 48 mm

Push-To-Turn
Adaptor \varnothing 30,5 mm

065M1 (IP40)

Complete switch	Poles	Product line	Rated data (IEC 60947)			Order code number
			Operational current I_e	Operational power at 380–440 V		
			AC-21A A	AC-23A kW	AC-3 kW	
Rotary Cam Switches	1 ... 16	P200	20 25	7,5 11	5,5 7,5	P220 - 61 ... - 065M1 P225 - 61 ... - 065M1
45° spring return to both direction, spring return to OFF						
Other switching angle or function for spring return and stay-put on request.						

SMD modules for basic switch A01

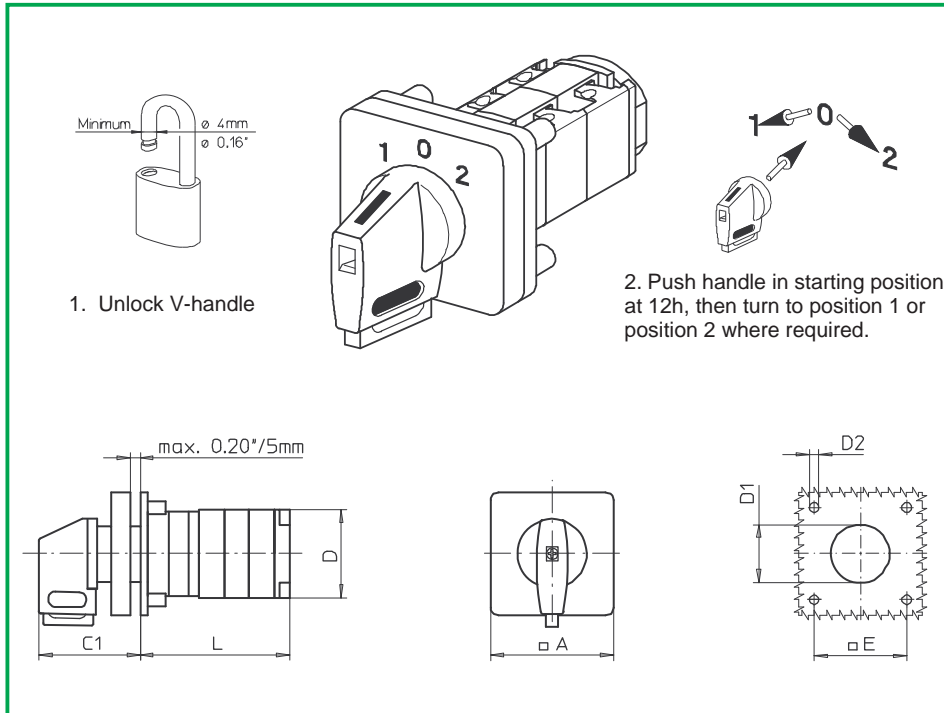
Mounting form module for 065M1	P200	BFA2 - 065
M-operator module 64 x 64 mm, mounting form 065M1		4PM1 - 12
Escutcheon black, M-handle black		
Legend plate silver, operator module 065M1		FAS4 - (FA number)

Dimensions (mm)

Type	A	C1	D	D1*	D2	E	L with ... stages (max. 8)							
							1	2	3	4	5	6	7	8
P220	64	53	44	30,5	5	48	56	69	82	95	108	121	134	147
P221	64	53	44	30,5	5	48	59,5	76	92,5	109	125,5	142	158,5	175
P225	64	53	46	30,5	5	48	60	75	90	105	120	135	150	165
P226	64	53	46	30,5	5	48	63,5	82	100,5	119	137,5	156	174,5	193

*) hole tool for single hole mounting \varnothing 30,5 mm can be used.

Front Mounting Switches



Product line
P200

Front mounting switch
Operator module of next size

Four hole mounting
48 x 48 mm

Push-To-Turn
Adaptor $\varnothing 30,5$ mm

065V1 (IP40)

Complete switch	Poles	Product line	Rated data (IEC 60947)			Order code number
			Operational current I_e	Operational power at 380–440 V		
			AC-21A A	AC-23A kW	AC-3 kW	
Rotary Cam Switches OFF position padlockable	1 ... 16	P200	20 25	7,5 11	5,5 7,5	P220 - 61 ... - 065V1 P225 - 61 ... - 065V1
45° spring return to both direction, spring return to OFF						
Other switching angle or function for spring return and stay-put on request.						

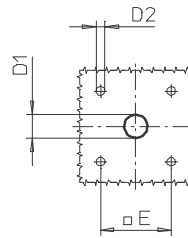
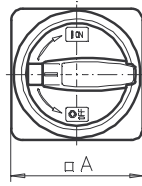
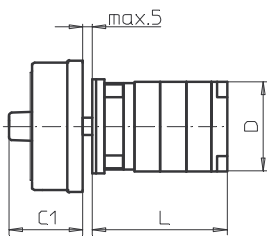
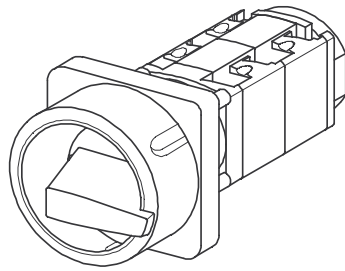
SMD modules for basic switch A01			
Mounting form module for 065V1		P200	BFA2 - 065
V-operator module 64 x 64 mm, mounting form 065V1			4PV1 - 12
Escutcheon black, V-handle black			
Legend plate silver, operator module 065V1			FAS4 - (FA number)

Dimensions (mm)														
Type	A	C1	D	D1*	D2	E	L with ... stages (max. 8)							
							1	2	3	4	5	6	7	8
P220	64	53	44	30,5	5	48	56	69	82	95	108	121	134	147
P221	64	53	44	30,5	5	48	59,5	76	92,5	109	125,5	142	158,5	175
P225	64	53	46	30,5	5	48	60	75	90	105	120	135	150	165
P226	64	53	46	30,5	5	48	63,5	82	100,5	119	137,5	156	174,5	193

*) hole tool for single hole mounting $\varnothing 30,5$ mm can be used.

Front Mounting Switches

sälzer



**Product line
P200**

Front mounting switch

**Four hole mounting
36 x 36 mm**

033M1 (IP66)

033M4 (IP66)

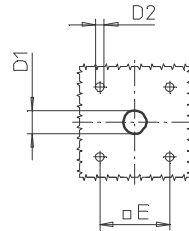
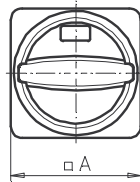
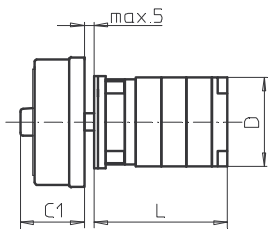
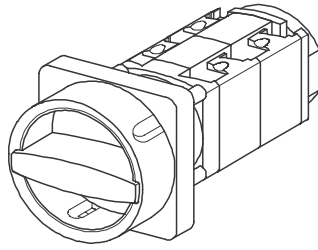
Complete switch	Poles	Product line	Rated data (IEC 60947)			Order code number
			Operational current I _e	Operational power at 380–440 V		
			AC-21A A	AC-23A kW	AC-3 kW	
Main Switches Switching angle 90° OFF position padlockable 09h	1 ... 24	P200	20	7,5	5,5	P220 - 61 ... - 033M1
			25	11	7,5	P225 - 61 ... - 033M1
Main/Emergency-Off Switches Switching angle 90° OFF position padlockable 09h	1 ... 24	P200	20	7,5	5,5	P220 - 61 ... - 033M4
			25	11	7,5	P225 - 61 ... - 033M4

SMD modules for basic switch A01		
Mounting form module for 033M.	P200	BFB2 - 033
M-padlock device 67 x 67 mm, mounting form 033M1 Escutcheon black, padlockable handle black		2CM1
M-padlock device 67 x 67 mm, mounting form 033M4 Escutcheon yellow, padlockable handle red		2CM4

Type	Dimensions (mm)						L with ... stages (max. 12)							each add. stage
	A	C1	D	D1	D2	E	1	2	3	4	5	6	7	
P220	67	38	44	15	4,5	36	47	60	73	86	99	112	125	13
P221	67	38	44	15	4,5	36	50,5	67	83,5	100	116,5	133	149,5	16,5
P225	67	38	46	15	4,5	36	51	66	81	96	111	126	141	15
P226	67	38	46	15	4,5	36	54,5	73	91,5	110	128,5	147	165,5	18,5

Front Mounting Switches

sälzer



**Product line
P200**

Front mounting switch

**Four hole mounting
36 x 36 mm**

033N1 (IP66)

033N4 (IP66)

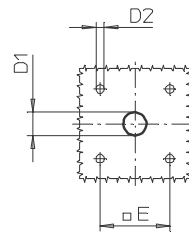
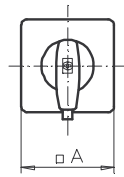
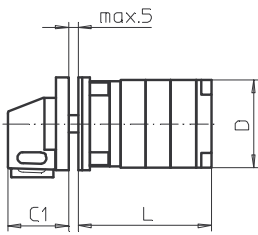
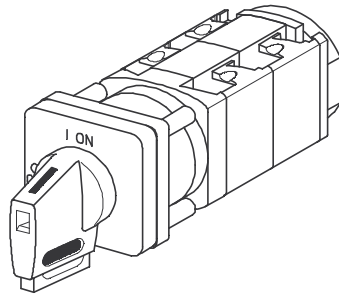
Complete switch	Poles	Product line	Rated data (IEC 60947)			Order code number
			Operational current I _e	Operational power at 380–440 V		
			AC-21A A	AC-23A kW	AC-3 kW	
Main Switches Switching angle 90° OFF position padlockable 09h	1 ... 24	P200	20	7,5	5,5	P220 - 61 ... - 033N1
			25	11	7,5	P225 - 61 ... - 033N1
Main/Emergency-Off Switches Switching angle 90° OFF position padlockable 09h	1 ... 24	P200	20	7,5	5,5	P220 - 61 ... - 033N4
			25	11	7,5	P225 - 61 ... - 033N4

SMD modules for basic switch A01			
Mounting form module for 033N.		P200	BFB2 - 033
N-padlock device 67 x 67 mm, mounting form 033N1 Escutcheon black, padlockable handle black			2CN1
N-padlock device 67 x 67 mm, mounting form 033N4 Escutcheon yellow, padlockable handle red			2CN4

Type	Dimensions (mm)						L with ... stages (max. 12)							each add. stage
	A	C1	D	D1	D2	E	1	2	3	4	5	6	7	
P220	67	33	44	15	4,5	36	47	60	73	86	99	112	125	13
P221	67	33	44	15	4,5	36	50,5	67	83,5	100	116,5	133	149,5	16,5
P225	67	33	46	15	4,5	36	51	66	81	96	111	126	141	15
P226	67	33	46	15	4,5	36	54,5	73	91,5	110	128,5	147	165,5	18,5

Front Mounting Switches

sälzer



**Product line
P200**

Front mounting switch

**Four hole mounting
36 x 36 mm**

033V1 (IP66)

033V4 (IP66)

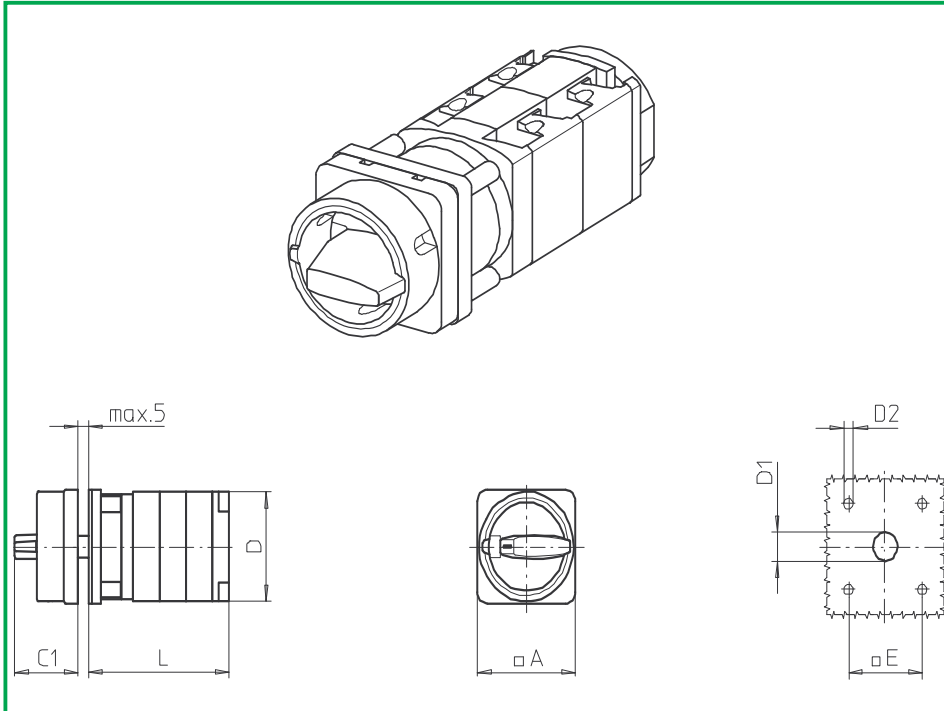
Complete switch	Poles	Product line	Rated data (IEC 60947)			Order code number
			Operational current I _e	Operational power at 380–440 V		
			AC-21A A	AC-23A kW	AC-3 kW	
Main Switches Switching angle 90° OFF position padlockable 09h	1 ... 24	P200	20	7,5	5,5	P220 - 61 ... - 033V1
			25	11	7,5	P225 - 61 ... - 033V1
Main/Emergency-Off Switches Switching angle 90° OFF position padlockable 09h	1 ... 24	P200	20	7,5	5,5	P220 - 61 ... - 033V4
			25	11	7,5	P225 - 61 ... - 033V4

SMD modules for basic switch A01			
Mounting form module for 033V.		P200	BFB2 - 003
V-operator module 48 x 48 mm, mounting form 033V1 Escutcheon black, handle black			2AV1 - 09
Legend plate silver, operator module 033V1			FAS2 - 9078
V-operator module 48 x 48 mm, mounting form 033V4 Escutcheon black, handle red			2AV4 - 09
Legend plate yellow, operator module 033V4			FBS2 - 9078

Type	Dimensions (mm)						L with ... stages (max. 12)							each add. stage
	A	C1	D	D1	D2	E	1	2	3	4	5	6	7	
P220	48	32	44	12	4,5	36	47	60	73	86	99	112	125	13
P221	48	32	44	12	4,5	36	50,5	67	83,5	100	116,5	133	149,5	16,5
P225	48	32	46	12	4,5	36	51	66	81	96	111	126	141	15
P226	48	32	46	12	4,5	36	54,5	73	91,5	110	128,5	147	165,5	18,5

Front Mounting Switches

sälzer



**Product line
P200**

Front mounting switch

**Four hole mounting
36 x 36 mm**

035M1 (IP66)

035M4 (IP66)

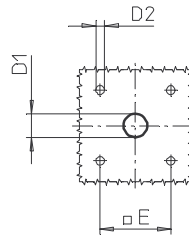
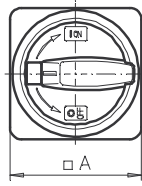
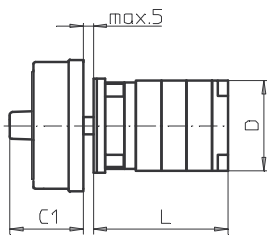
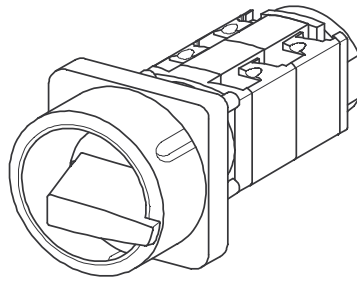
Complete switch	Poles	Product line	Rated data (IEC 60947)			Order code number
			Operational current I _e	Operational power at 380–440 V		
			AC-21A A	AC-23A kW	AC-3 kW	
Main Switches Switching angle 90° OFF position padlockable 09h	1 ... 24	P200	20	7,5	5,5	P220 - 61 ... - 035M1
			25	11	7,5	P225 - 61 ... - 035M1
Main/Emergency-Off Switches Switching angle 90° OFF position padlockable 09h	1 ... 24	P200	20	7,5	5,5	P220 - 61 ... - 035M4
			25	11	7,5	P225 - 61 ... - 035M4

SMD modules for basic switch A01			
Mounting form module for 035M.		P200	BFB2 - 003
M-padlock device 48 x 48 mm, mounting form 035M1 Escutcheon black, padlockable handle black			2BM1
M-padlock device 48 x 48 mm, mounting form 035M4 Escutcheon yellow, padlockable handle red			2BM4

Type	Dimensions (mm)						L with ... stages (max. 12)							each add. stage
	A	C1	D	D1	D2	E	1	2	3	4	5	6	7	
P220	48	31	44	12	4,5	36	47	60	73	86	99	112	125	13
P221	48	31	44	12	4,5	36	50,5	67	83,5	100	116,5	133	149,5	16,5
P225	48	31	46	12	4,5	36	51	66	81	96	111	126	141	15
P226	48	31	46	12	4,5	36	54,5	73	91,5	110	128,5	147	165,5	18,5

Front Mounting Switches

sälzer



Product line
P200

Front mounting switch
Operator module of next size

Four hole mounting
48 x 48 mm

036M1 (IP66)

036M4 (IP66)

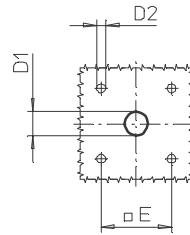
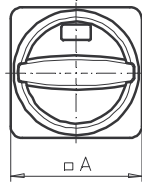
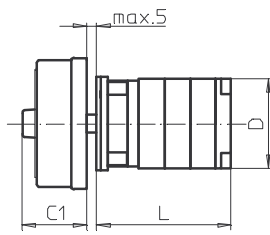
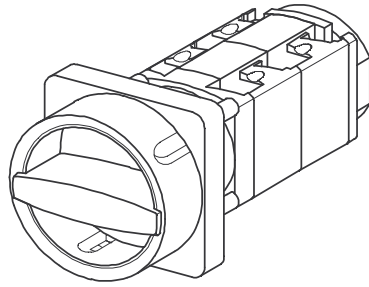
Complete switch	Poles	Product line	Rated data (IEC 60947)			Order code number
			Operational current I _e	Operational power at 380–440 V		
			AC-21A A	AC-23A kW	AC-3 kW	
Main Switches Switching angle 90° OFF position padlockable 09h	1 ... 24	P200	20	7,5	5,5	P220 - 61 ... - 036M1
			25	11	7,5	P225 - 61 ... - 036M1
Main/Emergency-Off Switches Switching angle 90° OFF position padlockable 09h	1 ... 24	P200	20	7,5	5,5	P220 - 61 ... - 036M4
			25	11	7,5	P225 - 61 ... - 036M4

SMD modules for basic switch A01			
Mounting form module for 036M.		P200	BFB2 - 036
M-padlock device 67 x 67 mm, mounting form 036M1 Escutcheon black, padlockable handle black			4BM1
M-padlock device 67 x 67 mm, mounting form 036M4 Escutcheon yellow, padlockable handle red			4BM4

Type	Dimensions (mm)						L with ... stages (max. 12)							each add. stage
	A	C1	D	D1	D2	E	1	2	3	4	5	6	7	
P220	67	38	44	15	5	48	47	60	73	86	99	112	125	13
P221	67	38	44	15	5	48	50,5	67	83,5	100	116,5	133	149,5	16,5
P225	67	38	46	15	5	48	51	66	81	96	111	126	141	15
P226	67	38	46	15	5	48	54,5	73	91,5	110	128,5	147	165,5	18,5

Front Mounting Switches

sälzer



**Product line
P200**

Front mounting switch
Operator module of next size

Four hole mounting
48 x 48 mm

036N1 (IP66)

036N4 (IP66)

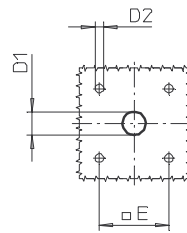
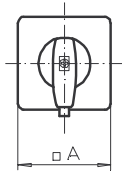
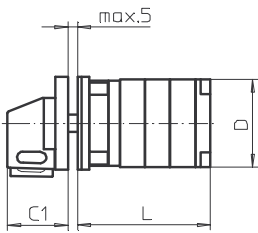
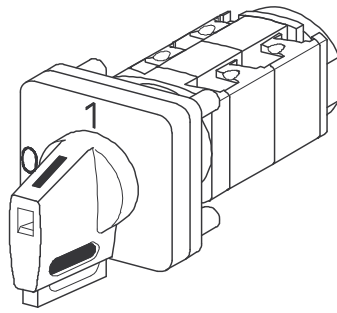
Complete switch	Poles	Product line	Rated data (IEC 60947)			Order code number
			Operational current I _e	Operational power at 380–440 V		
			AC-21A A	AC-23A kW	AC-3 kW	
Main Switches Switching angle 90° OFF position padlockable 09h	1 ... 24	P200	20	7,5	5,5	P220 - 61 ... - 036N1
			25	11	7,5	P225 - 61 ... - 036N1
Main/Emergency-Off Switches Switching angle 90° OFF position padlockable 09h	1 ... 24	P200	20	7,5	5,5	P220 - 61 ... - 036N4
			25	11	7,5	P225 - 61 ... - 036N4

SMD modules for basic switch A01		
Mounting form module for 036N.	P200	BFB2 - 036
N-padlock device 67 x 67 mm, mounting form 036N1 Escutcheon black, padlockable handle black	P200	4BN1
N-padlock device 67 x 67 mm, mounting form 036N4 Escutcheon yellow, padlockable handle red		4BN4

Dimensions (mm)														
Type	A	C1	D	D1	D2	E	L with ... stages (max. 12)						each add. stage	
							1	2	3	4	5	6		7
P220	67	33	44	15	5	48	47	60	73	86	99	112	125	13
P221	67	33	44	15	5	48	50,5	67	83,5	100	116,5	133	149,5	16,5
P225	67	33	46	15	5	48	51	66	81	96	111	126	141	15
P226	67	33	46	15	5	48	54,5	73	91,5	110	128,5	147	165,5	18,5

Front Mounting Switches

sälzer



**Product line
P200**

Front mounting switch
Operator module of next size

Four hole mounting
48 x 48 mm

036V1 (IP66)
036V4 (IP66)

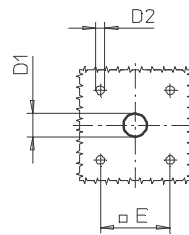
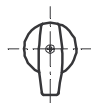
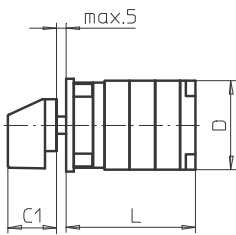
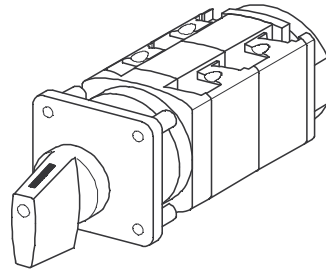
Complete switch	Poles	Product line	Rated data (IEC 60947)			Order code number
			Operational current I _e	Operational power at 380–440 V		
			AC-21A A	AC-23A kW	AC-3 kW	
Main Switches Switching angle 90° OFF position padlockable 09h	1 ... 24	P200	20	7,5	5,5	P220 - 61 ... - 036V1
			25	11	7,5	P225 - 61 ... - 036V1
Main/Emergency-Off Switches Switching angle 90° OFF position padlockable 09h	1 ... 24	P200	20	7,5	5,5	P220 - 61 ... - 036V4
			25	11	7,5	P225 - 61 ... - 036V4

SMD modules for basic switch A01			
Mounting form module for 036V.		P200	BFB2 - 013
V-operator module 64 x 64 mm, mounting form 036V1 Escutcheon black, handle black			4AV1 - 09
Legend plate silver, operator module 036V1			FAS4 - 9078
V-operator module 64 x 64 mm, mounting form 036V4 Escutcheon black, handle red			4AV4 - 09
Legend plate yellow, operator module 036V4			FBS4 - 9078

Type	Dimensions (mm)						L with ... stages (max. 12)							each add. stage
	A	C1	D	D1	D2	E	1	2	3	4	5	6	7	
P220	64	39	44	15	5	48	47	60	73	86	99	112	125	13
P221	64	39	44	15	5	48	50,5	67	83,5	100	116,5	133	149,5	16,5
P225	64	39	46	15	5	48	51	66	81	96	111	126	141	15
P226	64	39	46	15	5	48	54,5	73	91,5	110	128,5	147	165,5	18,5

Front Mounting Switches

sälzer



**Product line
P200**

**Front mounting switch
without escutcheon**

**Four hole mounting
36 x 36 mm**

103M1 (IP66)

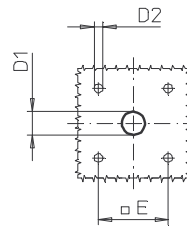
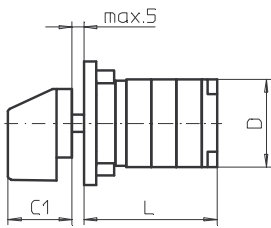
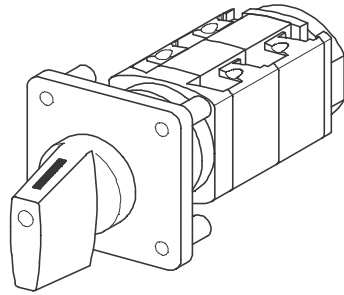
Complete switch	Poles	Product line	Rated data (IEC 60947)			Order code number
			Operational current I _e	Operational power at 380–440 V		
			AC-21A A	AC-23A kW	AC-3 kW	
Rotary Cam Switches Switching angle 30°/45°/60°/90°	1 ... 24	P200	20 25	7,5 11	5,5 7,5	P220 - 61 ... - 103M1 P225 - 61 ... - 103M1

SMD modules for basic switch A01			
Mounting form module for 103M1 (Shaft shortened by 5 mm)		P200	BFB2 - 103
M-handle black, mounting form 103M1 (Mounting without escutcheon and legend plate)			2XM1

Type	Dimensions (mm)											each add. stage	
	C1	D	D1	D2	E	L with ... stages (max. 12)					7		
						1	2	3	4	5	6	7	
P220	25	44	12	4,5	36	47	60	73	86	99	112	125	13
P221	25	44	12	4,5	36	50,5	67	83,5	100	116,5	133	149,5	16,5
P225	25	46	12	4,5	36	51	66	81	96	111	126	141	15
P226	25	46	12	4,5	36	54,5	73	91,5	110	128,5	147	165,5	18,5

Front Mounting Switches

sälzer



**Product line
P200**

Front mounting switch
Operator module of next size
without escutcheon

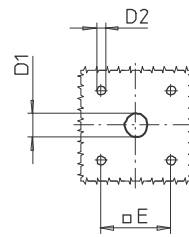
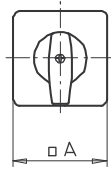
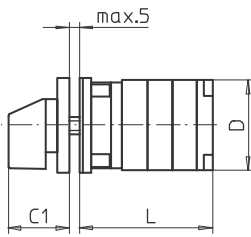
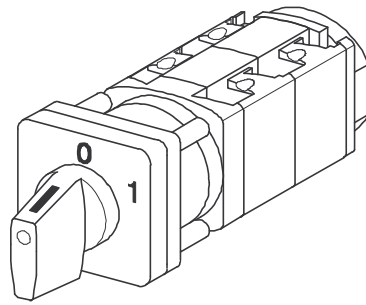
Four hole mounting
48 x 48 mm

113M1 (IP66)

Complete switch	Poles	Product line	Rated data (IEC 60947)			Order code number							
			Operational current I _e	Operational power at 380–440 V									
			AC-21A A	AC-23A kW	AC-3 kW								
Rotary Cam Switches Switching angle 30°/45°/60°/90°	1 ... 24	P200	20 25	7,5 11	5,5 7,5	P220 - 61 ... - 113M1	P225 - 61 ... - 113M1						
SMD modules for basic switch A01													
Mounting form module for 113M1 (Shaft shortened by 5 mm)				P200		BFB2 - 036							
M-handle black, mounting form 113M1 (Mounting without escutcheon and legend plate)						4XM1							
Dimensions (mm)													
Type	C1	D	D1	D2	E	L with ... stages (max. 12)							each add. stage
						1	2	3	4	5	6	7	
P220	30	44	15	5	48	47	60	73	86	99	112	125	13
P221	30	44	15	5	48	50,5	67	83,5	100	116,5	133	149,5	16,5
P225	30	46	15	5	48	51	66	81	96	111	126	141	15
P226	30	46	15	5	48	54,5	73	91,5	110	128,5	147	165,5	18,5

Front Mounting Switches

sälzer



**Product line
P200**

Front mounting switch

Four hole mounting
36 x 36 mm

Hexagon steel shaft
Front mounting panel door
thickness up to 5 mm max.

120M1 (IP66)

Complete switch	Poles	Product line	Rated data (IEC 60947)			Order code number
			Operational current I _e	Operational power at 380–440 V		
			AC-21A A	AC-23A kW	AC-3 kW	
Rotary Cam Switches Switching angle 30°/45°/60°/90°	1 ... 24	P200	20 25	7,5 11	5,5 7,5	P220 - 61 ... - 120M1 P225 - 61 ... - 120M1

SMD modules for basic switch A01

Mounting form module for 120M1

P200

BFB2 - 120

M-operator module 48 x 48 mm, mounting form 120M1

2PM1

Escutcheon black, handle black

Legend plate silver, operator module 120M1

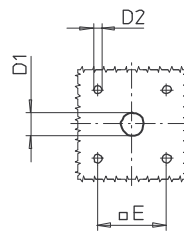
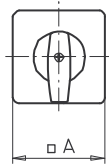
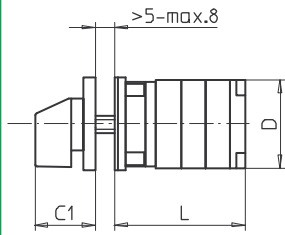
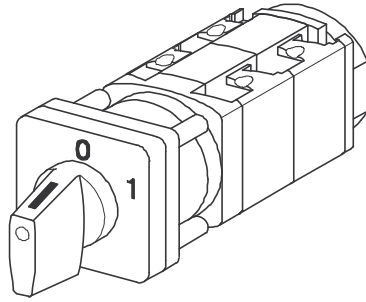
FAS2 - (FA number)

Dimensions (mm)

Type	A	C1	D	D1	D2	E	L with ... stages (max. 12)							each add. stage
							1	2	3	4	5	6	7	
P220	48	32	44	12	4,5	36	47	60	73	86	99	112	125	13
P221	48	32	44	12	4,5	36	50,5	67	83,5	100	116,5	133	149,5	16,5
P225	48	32	46	12	4,5	36	51	66	81	96	111	126	141	15
P226	48	32	46	12	4,5	36	54,5	73	91,5	110	128,5	147	165,5	18,5

Front Mounting Switches

sälzer



**Product line
P200**

Front mounting switch

Four hole mounting
36 x 36 mm

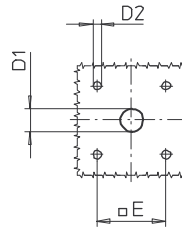
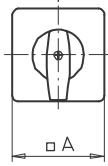
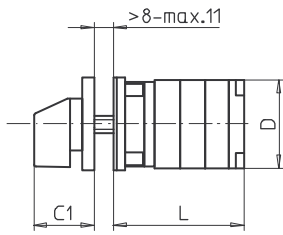
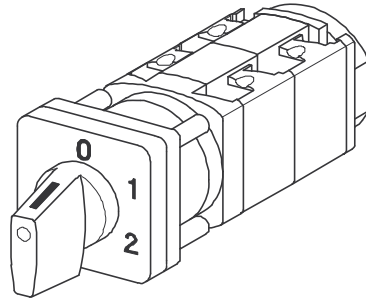
Hexagon steel shaft
Front mounting panel
door thickness up to
8 to 11 mm max.

121M1 (IP66)

Complete switch	Poles	Product line	Rated data (IEC 60947)			Order code number								
			Operational current I _e	Operational power at 380–440 V										
			AC-21A A	AC-23A kW	AC-3 kW									
Rotary Cam Switches Switching angle 30°/45°/60°/90°	1 ... 24	P200	20 25	7,5 11	5,5 7,5	P220 - 61 ... - 121M1 P225 - 61 ... - 121M1								
SMD modules for basic switch A01														
Mounting form module for 121M1			P200			BFB2 - 121								
M-operator module 48 x 48 mm, mounting form 121M1						2SM1								
Escutcheon black, handle black														
Legend plate silver, operator module 121M1						FAS2 - (FA number)								
Dimensions (mm)														
Type	A	C1	D	D1	D2	E	L with ... stages (max. 12)							each add. stage
							1	2	3	4	5	6	7	
P220	48	32	44	12	4,5	36	47	60	73	86	99	112	125	13
P221	48	32	44	12	4,5	36	50,5	67	83,5	100	116,5	133	149,5	16,5
P225	48	32	46	12	4,5	36	51	66	81	96	111	126	141	15
P226	48	32	46	12	4,5	36	54,5	73	91,5	110	128,5	147	165,5	18,5

Front Mounting Switches

sälzer



**Product line
P200**

Front mounting switch

Four hole mounting
36 x 36 mm

Hexagon steel shaft
Front mounting panel
door thickness up to
8 to 11 mm max.

122M1 (IP66)

Complete switch	Poles	Product line	Rated data (IEC 60947)			Order code number
			Operational current I _e	Operational power at 380–440 V		
			AC-21A A	AC-23A kW	AC-3 kW	
Rotary Cam Switches Switching angle 30°/45°/60°/90°	1 ... 24	P200	20 25	7,5 11	5,5 7,5	P220 - 61 ... - 122M1 P225 - 61 ... - 122M1

SMD modules for basic switch A01

Mounting form module for 122M1

P200

BFB2 - 122

M-operator module 48 x 48 mm, mounting form 122M1

2TM1

Escutcheon black, handle black

Legend plate silver, operator module 122M1

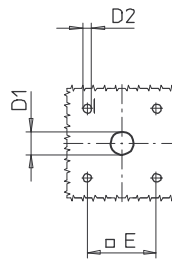
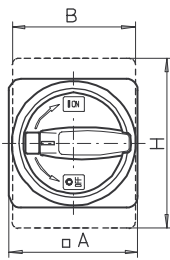
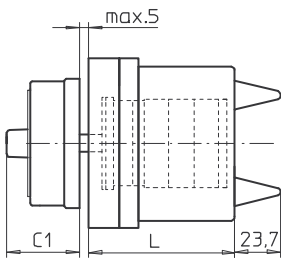
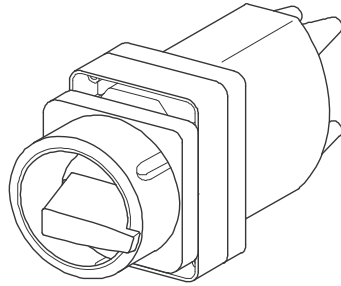
FAS2 - (FA number)

Dimensions (mm)

Type	A	C1	D	D1	D2	E	L with ... stages (max. 12)							each add. stage
							1	2	3	4	5	6	7	
P220	48	32	44	12	4,5	36	47	60	73	86	99	112	125	13
P221	48	32	44	12	4,5	36	50,5	67	83,5	100	116,5	133	149,5	16,5
P225	48	32	46	12	4,5	36	51	66	81	96	111	126	141	15
P226	48	32	46	12	4,5	36	54,5	73	91,5	110	128,5	147	165,5	18,5

Front Mounting Switches

sälzer



**Product line
P200**

Front mounting switch
With dust protection cover

Four hole mounting
36 x 36 mm

130M1 (IP66)

130M4 (IP66)

Complete switch	Poles	Product line	Rated data (IEC 60947)			Order code number
			Operational current I _e	Operational power at 380–440 V		
			AC-21A A	AC-23A kW	AC-3 kW	
Main Switches Switching angle 90° OFF position padlockable 09h	1 ... 6*	P200	20	7,5	5,5	P220 - 61 ... - 130M1
	1 ... 4		25	11	7,5	P225 - 61 ... - 130M1
Main/Emergency-Off Switches Switching angle 90° OFF position padlockable 09h	1 ... 6*	P200	20	7,5	5,5	P220 - 61 ... - 130M4
	1 ... 4		25	11	7,5	P225 - 61 ... - 130M4

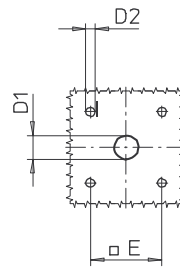
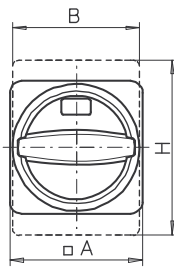
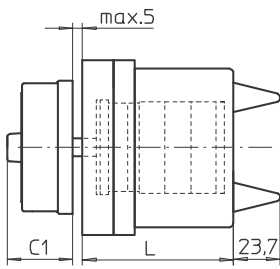
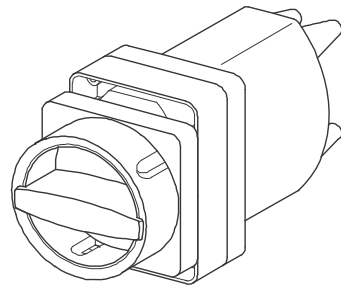
* For P220

SMD modules for basic switch A01			
Mounting form module for 130M.		P200	BFA2 - 130
M-padlock device 67 x 67 mm, mounting form 130M1 Escutcheon black, padlockable handle black			2CM1
M-padlock device 67 x 67 mm, mounting form 130M4 Escutcheon yellow, padlockable handle red			2CM4

Dimensions (mm)										
Type	A	B	C1	D1	D2	E	H	L with ... stages		
								1	2	3
P220	67	64	38	15	4,5	36	88	80	80	80
P221	67	64	38	15	4,5	36	88	80	80	-
P225	67	64	38	15	4,5	36	88	80	80	-
P226	67	64	38	15	4,5	36	88	80	80	-

Front Mounting Switches

sälzer



**Product line
P200**

Front mounting switch
With dust protection cover

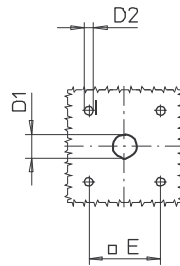
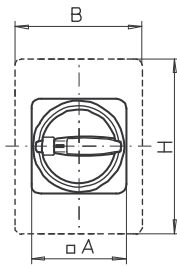
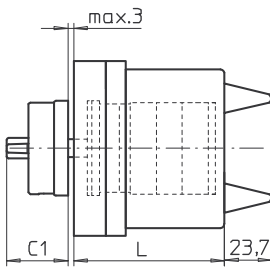
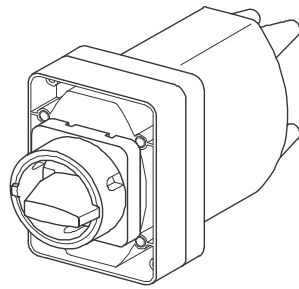
Four hole mounting
36 x 36 mm

130N1 (IP66)
130N4 (IP66)

Complete switch	Poles	Product line	Rated data (IEC 60947)			Order code number				
			Operational current I _e	Operational power at 380–440 V						
			AC-21A A	AC-23A kW	AC-3 kW					
Main Switches	1 ... 6*	P200	20	7,5	5,5	P220 - 61 ... - 130N1				
Switching angle 90°	1 ... 4		25	11	7,5	P225 - 61 ... - 130N1				
OFF position padlockable 09h										
Main/Emergency-Off Switches	1 ... 6*	P200	20	7,5	5,5	P220 - 61 ... - 130N4				
Switching angle 90°	1 ... 4		25	11	7,5	P225 - 61 ... - 130N4				
OFF position padlockable 09h										
* For P220										
SMD modules for basic switch A01										
Mounting form module for 130N.			P200			BFA2 - 130				
N-padlock device 67 x 67 mm, mounting form 130N1						2CN1				
Escutcheon black, padlockable handle black										
N-padlock device 67 x 67 mm, mounting form 130N4						2CN4				
Escutcheon yellow, padlockable handle red										
Dimensions (mm)										
Type	A	B	C1	D1	D2	E	H	L with ... stages		
								1	2	3
P220	67	64	33	15	4,5	36	88	80	80	80
P221	67	64	33	15	4,5	36	88	80	80	-
P225	67	64	33	15	4,5	36	88	80	80	-
P226	67	64	33	15	4,5	36	88	80	80	-

Front Mounting Switches

sälzer



Product line
P200

Front mounting switch
With dust protection cover

Four hole mounting
36 x 36 mm

131M1 (IP66)
131M4 (IP66)

Complete switch	Poles	Product line	Rated data (IEC 60947)			Order code number
			Operational current I _e	Operational power at 380–440 V		
			AC-21A A	AC-23A kW	AC-3 kW	
Main Switches	1 ... 6*	P200	20	7,5	5,5	P220 - 61 ... - 131M1
Switching angle 90°	1 ... 4		25	11	7,5	P225 - 61 ... - 131M1
OFF position padlockable 09h						
Main/Emergency-Off Switches	1 ... 6*	P200	20	7,5	5,5	P220 - 61 ... - 131M4
Switching angle 90°	1 ... 4		25	11	7,5	P225 - 61 ... - 131M4
OFF position padlockable 09h						

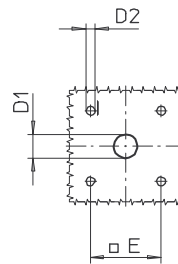
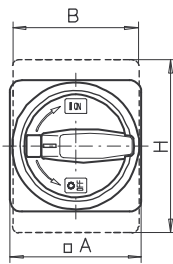
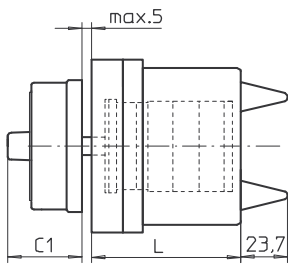
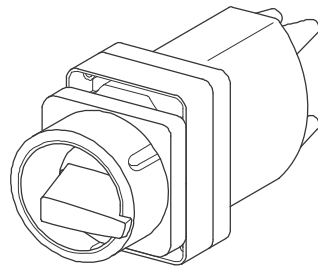
* For P220

SMD modules for basic switch A01			
Mounting form module for 131M.		P200	BFA2 - 131
M-padlock device 48 x 48 mm, mounting form 131M1			2BM1
Escutcheon black, padlockable handle black			
M-padlock device 48 x 48 mm, mounting form 131M4			2BM4
Escutcheon yellow, padlockable handle red			

Dimensions (mm)										
Type	A	B	C1	D1	D2	E	H	L with ... stages		
								1	2	3
P220	48	64	38	15	4,5	36	88	80	80	80
P221	48	64	38	15	4,5	36	88	80	80	-
P225	48	64	38	15	4,5	36	88	80	80	-
P226	48	64	38	15	4,5	36	88	80	80	-

Front Mounting Switches

sälzer



**Product line
P200**

Front mounting switch
Operator module of next size
With dust protection cover

Four hole mounting
48 x 48 mm

132M1 (IP66)
132M4 (IP66)

Complete switch	Poles	Product line	Rated data (IEC 60947)			Order code number
			Operational current I _e	Operational power at 380–440 V		
			AC-21A A	AC-23A kW	AC-3 kW	
Main Switches Switching angle 90° OFF position padlockable 09h	1 ... 6*	P200	20	7,5	5,5	P220 - 61 ... - 132M1
	1 ... 4		25	11	7,5	P225 - 61 ... - 132M1
Main/Emergency-Off Switches Switching angle 90° OFF position padlockable 09h	1 ... 6*	P200	20	7,5	5,5	P220 - 61 ... - 132M4
	1 ... 4		25	11	7,5	P225 - 61 ... - 132M4

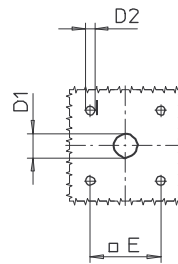
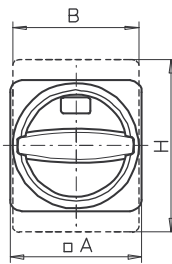
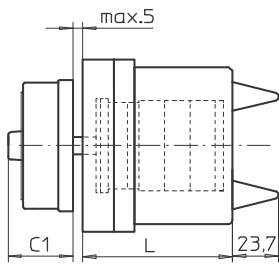
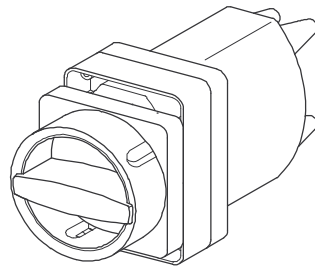
* For P220

SMD modules for basic switch A01			
Mounting form module for 132M.		P200	BFA2 - 132
M-padlock device 67 x 67 mm, mounting form 132M1 Escutcheon black, padlockable handle black			4BM1
M-padlock device 67 x 67 mm, mounting form 132M4 Escutcheon yellow, padlockable handle red			4BM4

Dimensions (mm)										
Type	A	B	C1	D1	D2	E	H	L with ... stages		
								1	2	3
P220	67	64	38	15	4,5	36	88	80	80	80
P221	67	64	38	15	4,5	36	88	80	80	-
P225	67	64	38	15	4,5	36	88	80	80	-
P226	67	64	38	15	4,5	36	88	80	80	-

Front Mounting Switches

sälzer



**Product line
P200**

Front mounting switch
Operator module of next size
With dust protection cover

Four hole mounting
48 x 48 mm

132N1 (IP66)
132N4 (IP66)

Complete switch	Poles	Product line	Rated data (IEC 60947)			Order code number
			Operational current I _e	Operational power at 380–440 V		
			AC-21A A	AC-23A kW	AC-3 kW	
Main Switches	1 ... 6*	P200	20	7,5	5,5	P220 - 61 ... - 132N1
Switching angle 90°	1 ... 4		25	11	7,5	P225 - 61 ... - 132N1
OFF position padlockable 09h						
Main/Emergency-Off Switches	1 ... 6*	P200	20	7,5	5,5	P220 - 61 ... - 132N4
Switching angle 90°	1 ... 4		25	11	7,5	P225 - 61 ... - 132N4
OFF position padlockable 09h						

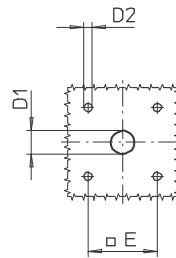
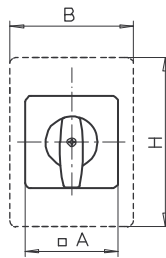
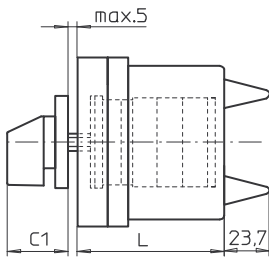
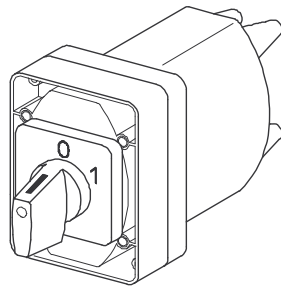
* For P220

SMD modules for basic switch A01			
Mounting form module for 132N.		P200	BFA2 - 132
N-padlock device 67 x 67 mm, mounting form 132N1 Escutcheon black, padlockable handle black			4BN1
N-padlock device 67 x 67 mm, mounting form 132N4 Escutcheon yellow, padlockable handle red			4BN4

Dimensions (mm)										
Type	A	B	C1	D1	D2	E	H	L with ... stages		
								1	2	3
P220	67	64	33	15	4,5	36	88	80	80	80
P221	67	64	33	15	4,5	36	88	80	80	-
P225	67	64	33	15	4,5	36	88	80	80	-
P226	67	64	33	15	4,5	36	88	80	80	-

Front Mounting Switches

sälzer



**Product line
P200**

Front mounting switch

With dust protection cover

Four hole mounting

36 x 36 mm

Hexagon steel shaft

Front mounting panel door
thickness up to 5 mm max.

150M1 (IP66)

Complete switch	Poles	Product line	Rated data (IEC 60947)			Order code number
			Operational current I _e	Operational power at 380–440 V		
			AC-21A A	AC-23A kW	AC-3 kW	
Rotary Cam Switches	1 ... 6*	P200	20	7,5	5,5	P220 - 61 ... - 150M1
Switching angle 30°/45°/60°/90°	1 ... 4		25	11	7,5	P225 - 61 ... - 150M1

* For P220

SMD modules for basic switch A01

Mounting form module for 150M1

P200

BFA2 - 150

M-operator module 48 x 48 mm, mounting form 150M1

2PM1

Escutcheon black, handle black

Legend plate silver, operator module 150M1

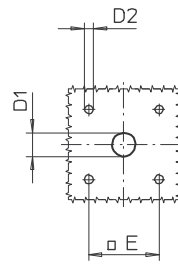
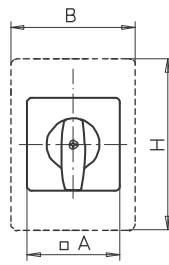
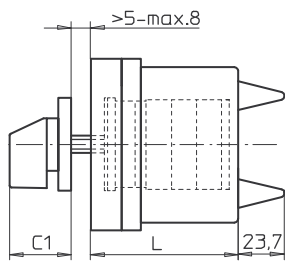
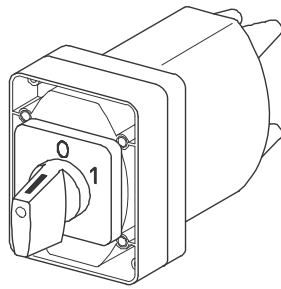
FAS2 - (FA number)

Dimensions (mm)

Type	A	B	C1	D1	D2	E	H	L with ... stages		
								1	2	3
P220	48	64	32	12	4,5	36	88	80	80	80
P221	48	64	32	12	4,5	36	88	80	80	-
P225	48	64	32	12	4,5	36	88	80	80	-
P226	48	64	32	12	4,5	36	88	80	80	-

Front Mounting Switches

sälzer



**Product line
P200**

Front mounting switch
With dust protection cover

Four hole mounting
36 x 36 mm

Hexagon steel shaft
Front mounting panel
door thickness up to
8 to 11 mm max.

151M1 (IP66)

Complete switch	Poles	Product line	Rated data (IEC 60947)			Order code number
			Operational current I _e	Operational power at 380–440 V		
			AC-21A A	AC-23A kW	AC-3 kW	
Rotary Cam Switches	1 ... 6*	P200	20	7,5	5,5	P220 - 61 ... - 151M1
Switching angle 30°/45°/60°/90°	1 ... 4		25	11	7,5	P225 - 61 ... - 151M1

* For P220

SMD modules for basic switch A01

Mounting form module for 151M1

P200

BFA2 - 151

M-operator module 48 x 48 mm, mounting form 151M1

2SM1

Escutcheon black, handle black

Legend plate silver, operator module 151M1

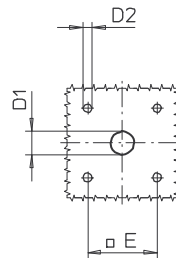
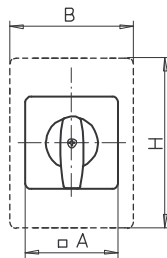
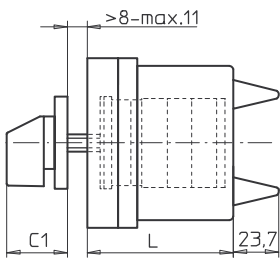
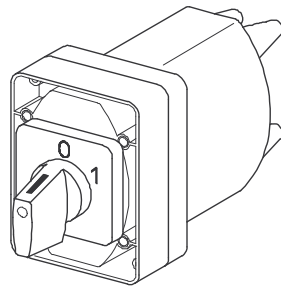
FAS2 - (FA number)

Dimensions (mm)

Type	A	B	C1	D1	D2	E	H	L with ... stages		
								1	2	3
P220	48	64	32	12	4,5	36	88	80	80	80
P221	48	64	32	12	4,5	36	88	80	80	-
P225	48	64	32	12	4,5	36	88	80	80	-
P226	48	64	32	12	4,5	36	88	80	80	-

Front Mounting Switches

sälzer



Product line
P200

Front mounting switch
With dust protection cover

Four hole mounting
36 x 36 mm

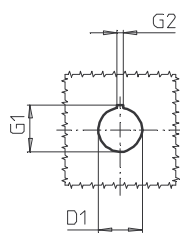
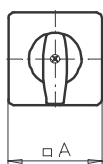
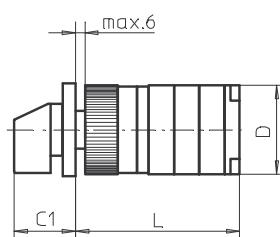
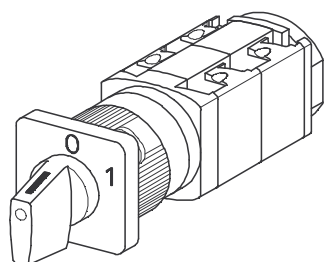
Hexagon steel shaft
Front mounting panel
door thickness up to
8 to 11 mm max.

152M1 (IP66)

Complete switch	Poles	Product line	Rated data (IEC 60947)			Order code number				
			Operational current I _e	Operational power at 380–440 V						
			AC-21A A	AC-23A kW	AC-3 kW					
Rotary Cam Switches	1 ... 6*	P200	20	7,5	5,5	P220 - 61 ... - 152M1				
Switching angle 30°/45°/60°/90°	1 ... 4		25	11	7,5	P225 - 61 ... - 152M1				
SMD modules for basic switch A01										
Mounting form module for 152M1			P200			BFA2 - 152				
M-operator module 48 x 48 mm, mounting form 152M1						2TM1				
Escutcheon black, handle black										
Legend plate silver, operator module 152M1						FAS2 - (FA number)				
Dimensions (mm)										
Type	A	B	C1	D1	D2	E	H	L with ... stages		
								1	2	3
P220	48	64	32	12	4,5	36	88	80	80	80
P221	48	64	32	12	4,5	36	88	80	80	-
P225	48	64	32	12	4,5	36	88	80	80	-
P226	48	64	32	12	4,5	36	88	80	80	-

Front Mounting Switches

sälzer



**Product line
P200**

Front mounting switch

**Single hole mounting
ø 22,5 mm**

219M1 (IP66)

Complete switch	Poles	Product line	Rated data (IEC 60947)			Order code number
			Operational current I _e	Operational power at 380–440 V		
			AC-21A A	AC-23A kW	AC-3 kW	
Rotary Cam Switches Switching angle 30°/45°/60°/90°	1 ... 24	P200	20 25	7,5 11	5,5 7,5	P220 - 61 ... - 219M1 P225 - 61 ... - 219M1

SMD modules for basic switch A01

Mounting form module for 219M1

P200

BFB2 - 219

M-operator module 48 x 48 mm, mounting form 219M1

2DM1

Escutcheon black, handle black

Legend plate silver, operator module 219M1

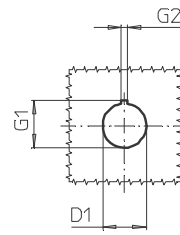
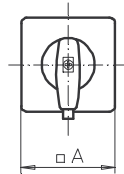
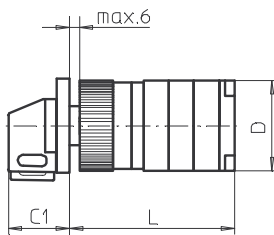
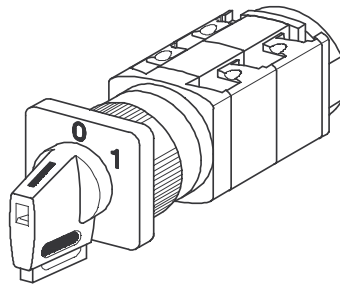
FAS2 - (FA number)

Dimensions (mm)

Type	A	C1	D	D1	G1	G2	L with ... stages (max. 12)							each add. stage
							1	2	3	4	5	6	7	
P220	48	32	44	22,5	24,2	3,2	66	79	92	105	118	131	144	13
P221	48	32	44	22,5	24,2	3,2	69,5	86	102,5	119	135,5	152	168,5	16,5
P225	48	32	46	22,5	24,2	3,2	70	85	100	115	130	145	160	15
P226	48	32	46	22,5	24,2	3,2	73,5	92	110,5	129	147,5	166	184,5	18,5

Front Mounting Switches

sälzer



**Product line
P200**

Front mounting switch

Single hole mounting
ø 22,5 mm

219V1 (IP66)

220V1 (IP66)

Complete switch	Poles	Product line	Rated data (IEC 60947)			Order code number
			Operational current I _e	Operational power at 380–440 V		
			AC-21A A	AC-23A kW	AC-3 kW	
Rotary Cam Switches Switching angle 30°/45°/60°/90° Padlockable 12h	1 ... 24	P200	20 25	7,5 11	5,5 7,5	P220 - 61 ... - 219V1 P225 - 61 ... - 219V1
Rotary Cam Switches Switching angle 90° 3 positions padlockable (09h/12h/03h)	1 ... 24	P200	20 25	7,5 11	5,5 7,5	P220 - 61 ... - 220V1 P225 - 61 ... - 220V1

SMD modules for basic switch A01

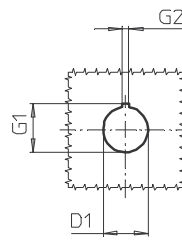
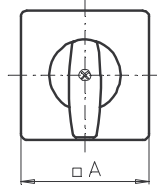
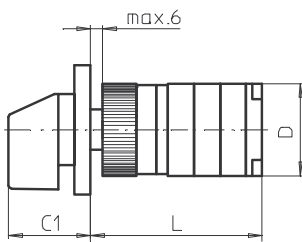
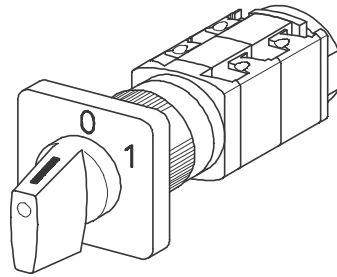
Mounting form module for 219V1/ 220V1	P200	BFB2 - 219
V-operator module 48 x 48 mm, mounting form 219V1 Escutcheon black, handle black		2DV1 - 12
V-operator module 48 x 48 mm, mounting form 220V1 Escutcheon black, handle black		2DV1 - 99
Legend plate silver, operator module 219V1/ 220V1		FAS2 - (FA number)

Dimensions (mm)

Type	A	C1	D	D1	G1	G2	L with ... stages (max. 12)							each add. stage
							1	2	3	4	5	6	7	
P220	48	32	44	22,5	24,2	3,2	66	79	92	105	118	131	144	13
P221	48	32	44	22,5	24,2	3,2	69,5	86	102,5	119	135,5	152	168,5	16,5
P225	48	32	46	22,5	24,2	3,2	70	85	100	115	130	145	160	15
P226	48	32	46	22,5	24,2	3,2	73,5	92	110,5	129	147,5	166	184,5	18,5

Front Mounting Switches

sälzer



Product line
P200

Front mounting switch
Operator module of next size

Single hole mounting
ø 22,5 mm

214M1 (IP66)

Complete switch	Poles	Product line	Rated data (IEC 60947)			Order code number
			Operational current I _e	Operational power at 380–440 V		
			AC-21A A	AC-23A kW	AC-3 kW	
Rotary Cam Switches Switching angle 30°/45°/60°/90°	1 ... 24	P200	20 25	7,5 11	5,5 7,5	P220 - 61 ... - 214M1 P225 - 61 ... - 214M1

SMD modules for basic switch A01

Mounting form module for 214M1

P200

BFB2 - 219

M-operator module 64 x 64 mm, mounting form 214M1

2KM1

Escutcheon black, handle black

Legend plate silver, operator module 214M1

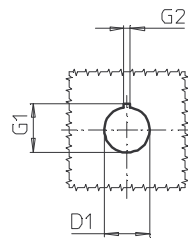
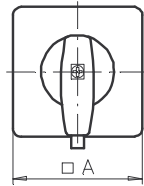
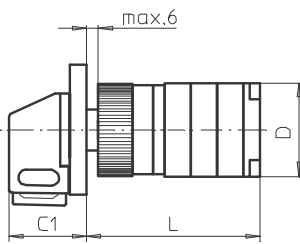
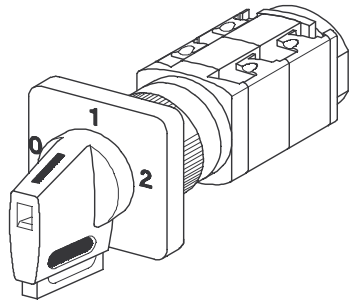
FAS4- (FA number)

Dimensions (mm)

Type	A	C1	D	D1	G1	G2	L with ... stages (max. 12)							each add. stage
							1	2	3	4	5	6	7	
P220	64	39	44	22,5	24,2	3,2	66	79	92	105	118	131	144	13
P221	64	39	44	22,5	24,2	3,2	69,5	86	102,5	119	135,5	152	168,5	16,5
P225	64	39	46	22,5	24,2	3,2	70	85	100	115	130	145	160	15
P226	64	39	46	22,5	24,2	3,2	73,5	92	110,5	129	147,5	166	184,5	18,5

Front Mounting Switches

sälzer



Product line
P200

Front mounting switch
Operator module of next size

Single hole mounting
ø 22,5 mm

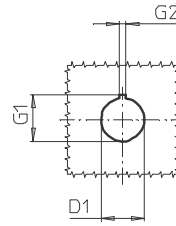
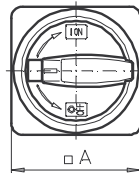
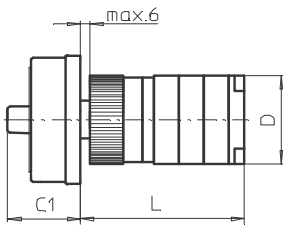
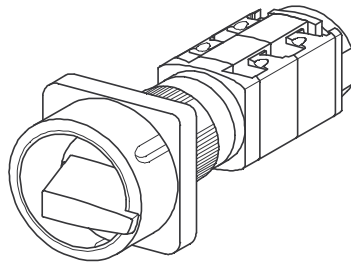
214V1 (IP66)

213V1 (IP66)

Complete switch	Poles	Product line	Rated data (IEC 60947)			Order code number								
			Operational current I _e	Operational power at 380–440 V										
			AC-21A A	AC-23A kW	AC-3 kW									
Rotary Cam Switches Switching angle 30°/45°/60°/90° Padlockable 12h	1 ... 24	P200	20 25	7,5 11	5,5 7,5	P220 - 61 ... - 214V1 P225 - 61 ... - 214V1								
Rotary Cam Switches Switching angle 90° 3 positions padlockable (09h/12h/03h)	1 ... 24	P200	20 25	7,5 11	5,5 7,5	P220 - 61 ... - 213V1 P225 - 61 ... - 213V1								
SMD modules for basic switch A01														
Mounting form module for 214V1/ 213V1				P200		BFB2 - 219								
V-operator module 64 x 64 mm, mounting form 214V1 Escutcheon black, handle black						2KV1 - 12								
V-operator module 64 x 64 mm, mounting form 213V1 Escutcheon black, handle black						2KV1 - 99								
Legend plate silver, operator module 214V1/ 213V1						FAS4 - (FA number)								
Dimensions (mm)														
Type	A	C1	D	D1	G1	G2	L with ... stages (max. 12)							each add. stage
							1	2	3	4	5	6	7	
P220	64	39	44	22,5	24,2	3,2	66	79	92	105	118	131	144	13
P221	64	39	44	22,5	24,2	3,2	69,5	86	102,5	119	135,5	152	168,5	16,5
P225	64	39	46	22,5	24,2	3,2	70	85	100	115	130	145	160	15
P226	64	39	46	22,5	24,2	3,2	73,5	92	110,5	129	147,5	166	184,5	18,5

Front Mounting Switches

sälzer



**Product line
P200**

Front mounting switch

**Single hole mounting
ø 22,5 mm**

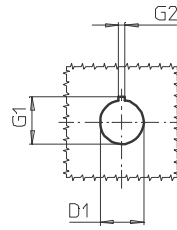
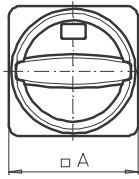
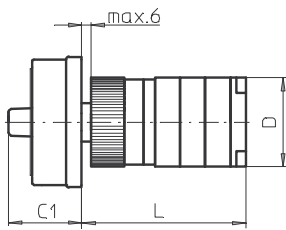
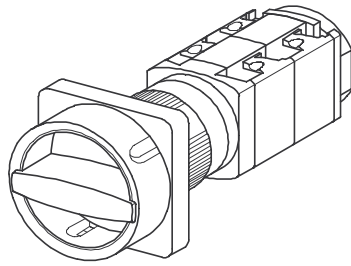
206M1 (IP66)

206M4 (IP66)

Complete switch	Poles	Product line	Rated data (IEC 60947)			Order code number								
			Operational current I _e	Operational power at 380–440 V										
			AC-21A A	AC-23A kW	AC-3 kW									
Main Switches Switching angle 90° OFF position padlockable 09h	1 ... 24	P200	20 25	7,5 11	5,5 7,5	P220 - 61 ... - 206M1 P225 - 61 ... - 206M1								
Main/Emergency-Off Switches Switching angle 90° OFF position padlockable 09h	1 ... 24	P200	20 25	7,5 11	5,5 7,5	P220 - 61 ... - 206M4 P225 - 61 ... - 206M4								
SMD modules for basic switch A01														
Mounting form module for 206M.			P200			BFB2 - 219								
M-padlock device 67 x 67 mm, mounting form 206M1 Escutcheon black, padlockable handle black						2FM1								
M-padlock device 67 x 67 mm, mounting form 206M4 Escutcheon yellow, padlockable handle red						2FM4								
Dimensions (mm)														
Type	A	C1	D	D1	G1	G2	L with ... stages (max. 12)							each add. stage
							1	2	3	4	5	6	7	
P220	67	38	44	22,5	24,2	3,2	66	79	92	105	118	131	144	13
P221	67	38	44	22,5	24,2	3,2	69,5	86	102,5	119	135,5	152	168,5	16,5
P225	67	38	46	22,5	24,2	3,2	70	85	100	115	130	145	160	15
P226	67	38	46	22,5	24,2	3,2	73,5	92	110,5	129	147,5	166	184,5	18,5

Front Mounting Switches

sälzer



**Product line
P200**

Front mounting switch

**Single hole mounting
ø 22,5 mm**

206N1 (IP66)

206N4 (IP66)

Complete switch	Poles	Product line	Rated data (IEC 60947)			Order code number
			Operational current I _e	Operational power at 380–440 V		
			AC-21A A	AC-23A kW	AC-3 kW	
Main Switches Switching angle 90° OFF position padlockable 09h	1 ... 24	P200	20	7,5	5,5	P220 - 61 ... - 206N1
			25	11	7,5	P225 - 61 ... - 206N1
Main/Emergency-Off Switches Switching angle 90° OFF position padlockable 09h	1 ... 24	P200	20	7,5	5,5	P220 - 61 ... - 206N4
			25	11	7,5	P225 - 61 ... - 206N4

SMD modules for basic switch A01

Mounting form module for 206N.

P200

BFB2 - 219

N-padlock device 67 x 67 mm, mounting form 206M1
Escutcheon black, padlockable handle black

2FN1

N-padlock device 67 x 67 mm, mounting form 206M4
Escutcheon yellow, padlockable handle red

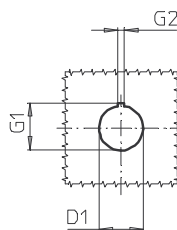
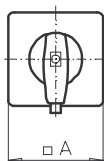
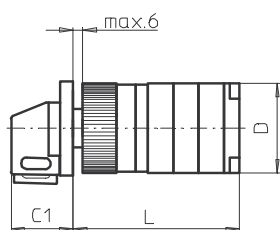
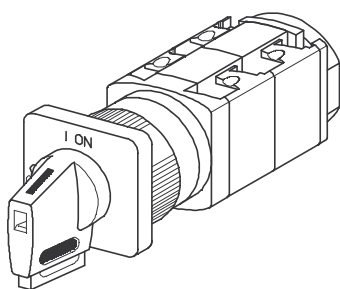
2FN4

Dimensions (mm)

Type	A	C1	D	D1	G1	G2	L with ... stages (max. 12)							each add. stage
							1	2	3	4	5	6	7	
P220	67	33	44	22,5	24,2	3,2	66	79	92	105	118	131	144	13
P221	67	33	44	22,5	24,2	3,2	69,5	86	102,5	119	135,5	152	168,5	16,5
P225	67	33	46	22,5	24,2	3,2	70	85	100	115	130	145	160	15
P226	67	33	46	22,5	24,2	3,2	73,5	92	110,5	129	147,5	166	184,5	18,5

Front Mounting Switches

sälzer



**Product line
P200**

Front mounting switch

Single hole mounting
ø 22,5 mm

206V1 (IP66)

206V4 (IP66)

Complete switch	Poles	Product line	Rated data (IEC 60947)			Order code number
			Operational current I _e	Operational power at 380–440 V		
			AC-21A A	AC-23A kW	AC-3 kW	
Main Switches Switching angle 90° OFF position padlockable 09h	1 ... 24	P200	20 25	7,5 11	5,5 7,5	P220 - 61 ... - 206V1 P225 - 61 ... - 206V1
Main/Emergency-Off Switches Switching angle 90° OFF position padlockable 09h	1 ... 24	P200	20 25	7,5 11	5,5 7,5	P220 - 61 ... - 206V4 P225 - 61 ... - 206V4

SMD modules for basic switch A01

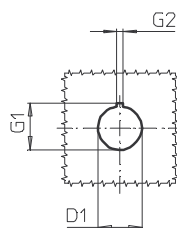
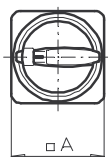
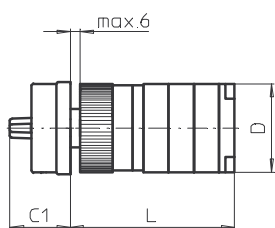
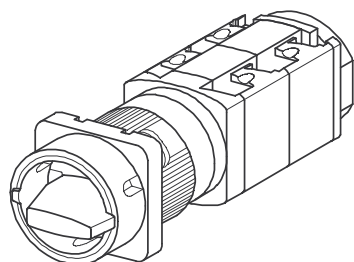
Mounting form module for 206V.	P200	BFB2 - 219
V-operator module 48 x 48 mm, mounting form 206V1 Escutcheon black, handle black		2DV1 - 09
Legend plate silver, operator module 206V1		FAS2 - (FA number)
V-operator module 48 x 48 mm, mounting form 206V4 Escutcheon black, handle red		2DV4 - 09
Legend plate yellow, operator module 206V4		FBS2 - (FA number)

Dimensions (mm)

Type	A	C1	D	D1	G1	G2	L with ... stages (max. 12)							each add. stage
							1	2	3	4	5	6	7	
P220	48	32	44	22,5	24,2	3,2	66	79	92	105	118	131	144	13
P221	48	32	44	22,5	24,2	3,2	69,5	86	102,5	119	135,5	152	168,5	16,5
P225	48	32	46	22,5	24,2	3,2	70	85	100	115	130	145	160	15
P226	48	32	46	22,5	24,2	3,2	73,5	92	110,5	129	147,5	166	184,5	18,5

Front Mounting Switches

sälzer



**Product line
P200**

Front mounting switch

Single hole mounting
ø 22,5 mm

205M1 (IP66)

205M4 (IP66)

Complete switch	Poles	Product line	Rated data (IEC 60947)			Order code number
			Operational current I _e	Operational power at 380–440 V		
			AC-21A A	AC-23A kW	AC-3 kW	
Main Switches Switching angle 90° OFF position padlockable 09h	1 ... 24	P200	20	7,5	5,5	P220 - 61 ... - 205M1
			25	11	7,5	P225 - 61 ... - 205M1
Main/Emergency-Off Switches Switching angle 90° OFF position padlockable 09h	1 ... 24	P200	20	7,5	5,5	P220 - 61 ... - 205M4
			25	11	7,5	P225 - 61 ... - 205M4

SMD modules for basic switch A01

Mounting form module for 205M.

P200

BFB2 - 219

M-padlock device 48 x 48 mm, mounting form 205M1
Escutcheon black, padlockable handle black

2EM1

M-padlock device 48 x 48 mm, mounting form 205M4
Escutcheon yellow, padlockable handle red

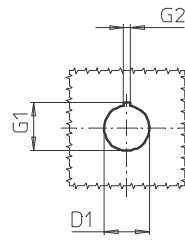
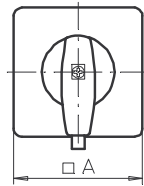
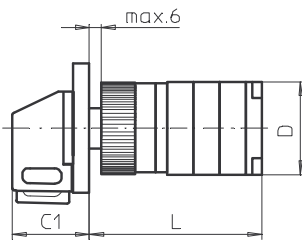
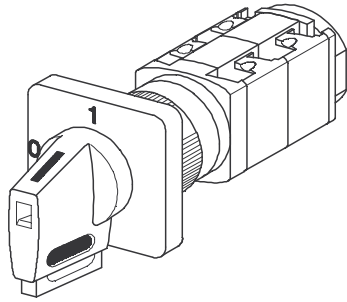
2EM4

Dimensions (mm)

Type	A	C1	D	D1	G1	G2	L with ... stages (max. 12)							each add. stage
							1	2	3	4	5	6	7	
P220	48	31	44	22,5	24,2	3,2	66	79	92	105	118	131	144	13
P221	48	31	44	22,5	24,2	3,2	69,5	86	102,5	119	135,5	152	168,5	16,5
P225	48	31	46	22,5	24,2	3,2	70	85	100	115	130	145	160	15
P226	48	31	46	22,5	24,2	3,2	73,5	92	110,5	129	147,5	166	184,5	18,5

Front Mounting Switches

sälzer



**Product line
P200**

Front mounting switch
Operator module of next size

Single hole mounting
ø 22,5 mm

226V1 (IP66)

226V4 (IP66)

Complete switch	Poles	Product line	Rated data (IEC 60947)			Order code number
			Operational current I _e	Operational power at 380–440 V		
			AC-21A A	AC-23A kW	AC-3 kW	
Main Switches Switching angle 90° OFF position padlockable 09h	1 ... 24	P200	20	7,5	5,5	P220 - 61 ... - 226V1
			25	11	7,5	P225 - 61 ... - 226V1
Main/Emergency-Off Switches Switching angle 90° OFF position padlockable 09h	1 ... 24	P200	20	7,5	5,5	P220 - 61 ... - 226V4
			25	11	7,5	P225 - 61 ... - 226V4

SMD modules for basic switch A01

Mounting form module for 226V.

P200

BFB2 - 219

V-operator module 64 x 64 mm, mounting form 226V1
Escutcheon black, handle black

2KV1 - 09

Legend plate silver, operator module 226V1

FAS4 - (FA number)

V-operator module 64 x 64 mm, mounting form 226V4
Escutcheon black, handle red

2KV4 - 09

Legend plate yellow, operator module 226V4

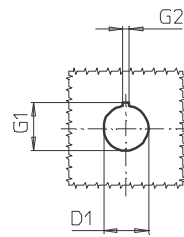
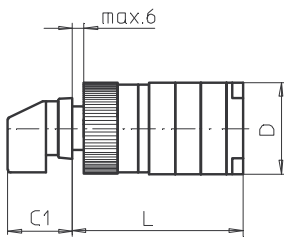
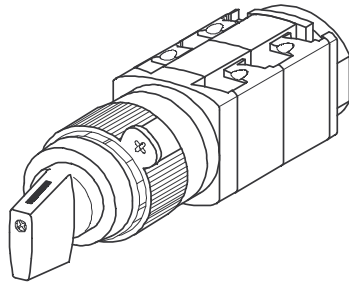
FBS4 - (FA number)

Dimensions (mm)

Type	A	C1	D	D1	G1	G2	L with ... stages (max. 12)							each add. stage
							1	2	3	4	5	6	7	
P220	64	39	44	22,5	24,2	3,2	66	79	92	105	118	131	144	13
P221	64	39	44	22,5	24,2	3,2	69,5	86	102,5	119	135,5	152	168,5	16,5
P225	64	39	46	22,5	24,2	3,2	70	85	100	115	130	145	160	15
P226	64	39	46	22,5	24,2	3,2	73,5	92	110,5	129	147,5	166	184,5	18,5

Front Mounting Switches

sälzer



**Product line
P200**

**Front mounting switch
with front ring**

**Single hole mounting
ø 22,5 mm**

218M1 (IP66)

Complete switch	Poles	Product line	Rated data (IEC 60947)			Order code number
			Operational current I _e	Operational power at 380–440 V		
			AC-21A A	AC-23A kW	AC-3 kW	
Rotary Cam Switches Switching angle 30°/45°/60°/90°	1 ... 24	P200	20 25	7,5 11	5,5 7,5	P220 - 61 ... - 218M1 P225 - 61 ... - 218M1

SMD modules for basic switch A01

Mounting form module for 218M1

P200

BFB2 - 219

Front ring black ø 30,5 mm, M-handle black, mounting form 218M1
(Front ring without legend)

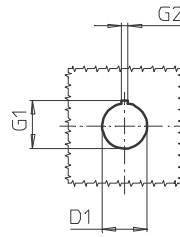
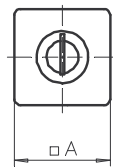
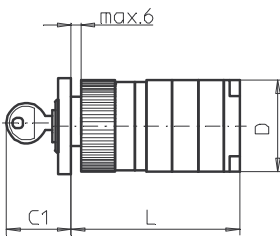
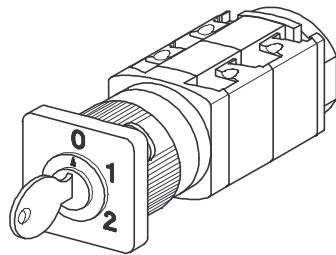
2HM1

Dimensions (mm)

Type	C1	D	D1	D2	G1	G2	L with ... stages (max. 12)							each add. stage
							1	2	3	4	5	6	7	
P220	32	44	22,5	30,5	24,2	3,2	66	79	92	105	118	131	144	13
P221	32	44	22,5	30,5	24,2	3,2	69,5	86	102,5	119	135,5	152	168,5	16,5
P225	32	46	22,5	30,5	24,2	3,2	70	85	100	115	130	145	160	15
P226	32	46	22,5	30,5	24,2	3,2	73,5	92	110,5	129	147,5	166	184,5	18,5

Front Mounting Switches

sälzer



**Product line
P200**

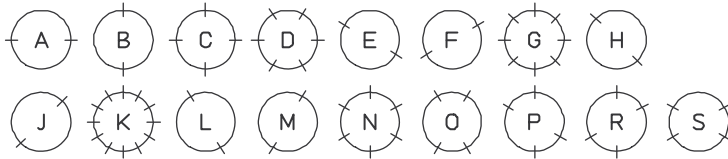
Front mounting switch
Key operated

Single hole mounting
ø 22,5 mm

S001. (IP40)

Complete switch	Poles	Product line	Rated data (IEC 60947)			Order code number
			Operational current I _e	Operational power at 380–440 V		
			AC-21A A	AC-23A kW	AC-3 kW	
Rotary Cam Switches Switching angle 30°/45°/60°/90°	1 ... 16	P200	20 25	7,5 11	5,5 7,5	P220 - 61 ... - S001. P225 - 61 ... - S001.

The dot in the order code number of the complete mounting form/operator module must be replaced by the classification letter which identifies the key removable positions:



Lines indicate the key removable positions.

SMD modules for basic switch A01

Mounting form module for S001.

P200

BFA2 - S

operator module 48 x 48 mm, mounting form S001.

2AS1-001.

Escutcheon black, Ronis lock C001, 2 keys

Legend plate silver, operator module S001.

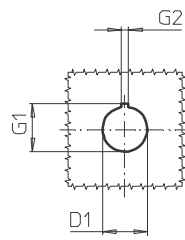
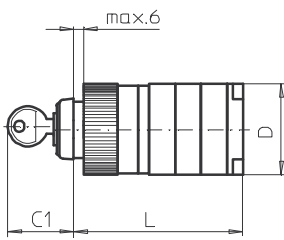
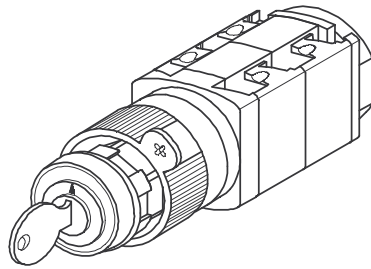
FAS2 - (FA number)

Dimensions (mm)

Type	A	C1	D	D1	G1	G2	L with ... stages (max. 8)							
							1	2	3	4	5	6	7	8
P220	48	33	44	22,5	24,2	3,2	66	79	92	105	118	131	144	157
P221	48	33	44	22,5	24,2	3,2	69,5	86	102,5	119	135,5	152	168,5	185
P225	48	33	46	22,5	24,2	3,2	70	85	100	115	130	145	160	175
P226	48	33	46	22,5	24,2	3,2	73,5	92	110,5	129	147,5	166	184,5	203

Front Mounting Switches

sälzer



**Product line
P200**

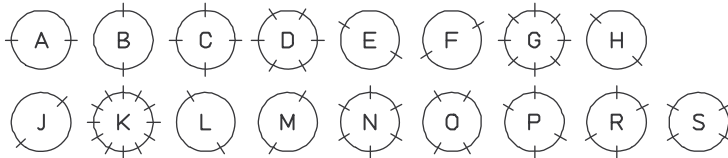
**Front mounting switch
with front ring
Key operated**

**Single hole mounting
ø 22,5 mm**

R001. (IP40)

Complete switch	Poles	Product line	Rated data (IEC 60947)			Order code number
			Operational current I _e	Operational power at 380–440 V		
			AC-21A A	AC-23A kW	AC-3 kW	
Rotary Cam Switches Switching angle 30°/45°/60°/90°	1 ... 16	P200	20 25	7,5 11	5,5 7,5	P220 - 61 ... - R001. P225 - 61 ... - R001.

The dot in the order code number of the complete mounting form/operator module must be replaced by the classification letter which identifies the key removable positions:



Lines indicate the key removable positions.

SMD modules for basic switch A01

Mounting form module for R001.

P200

**BFA2 - S
2BS1-001.**

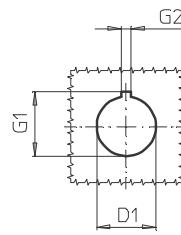
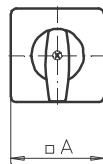
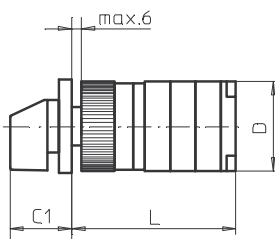
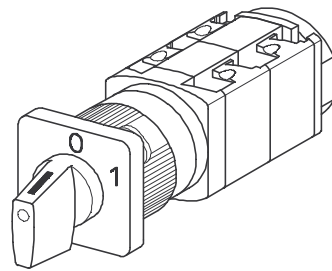
Front ring black ø 30,5 mm, mounting form R001.
Ronis lock C001, 2 keys
(Front ring without legend)

Dimensions (mm)

Type	C1	D	D1	D2	G1	G2	L with ... stages (max. 8)							
							1	2	3	4	5	6	7	8
P220	33	44	22,5	30,5	24,2	3,2	66	79	92	105	118	131	144	157
P221	33	44	22,5	30,5	24,2	3,2	69,5	86	102,5	119	135,5	152	168,5	185
P225	33	46	22,5	30,5	24,2	3,2	70	85	100	115	130	145	160	175
P226	33	46	22,5	30,5	24,2	3,2	73,5	92	110,5	129	147,5	166	184,5	203

Front Mounting Switches

sälzer



**Product line
P200**

Front mounting switch

Single hole mounting
ø 30,5 mm

209M1 (IP66)

Complete switch	Poles	Product line	Rated data (IEC 60947)			Order code number
			Operational current I _e	Operational power at 380–440 V		
			AC-21A A	AC-23A kW	AC-3 kW	
Rotary Cam Switches Switching angle 30°/45°/60°/90°	1 ... 24	P200	20 25	7,5 11	5,5 7,5	P220 - 61 ... - 209M1 P225 - 61 ... - 209M1

SMD Modules for basic switch A01

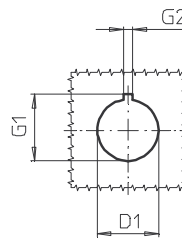
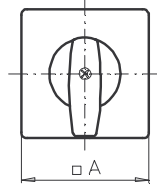
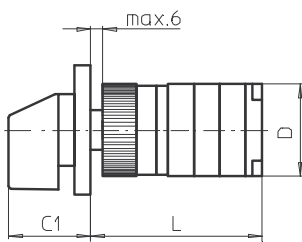
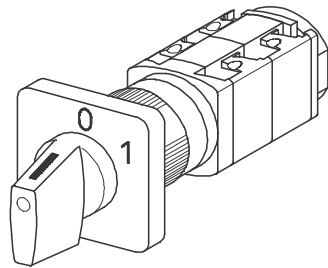
Mounting form module for 209M1	P200	BFB2 - 219
M-operator module 48 x 48 mm, mounting form 209M1		2DM1 - 30
Escutcheon black, handle black		
Legend plate silver, operator module 209M1		FAS2 - (FA number)

Dimensions (mm)

Type	A	C1	D	D1	G1	G2	L with ... stages (max. 12)							each add. stage
							1	2	3	4	5	6	7	
P220	48	32	44	30,5	33	4,8	66	79	92	105	118	131	144	13
P221	48	32	44	30,5	33	4,8	69,5	86	102,5	119	135,5	152	168,5	16,5
P225	48	32	46	30,5	33	4,8	70	85	100	115	130	145	160	15
P226	48	32	46	30,5	33	4,8	73,5	92	110,5	129	147,5	166	184,5	18,5

Front Mounting Switches

sälzer



Product line
P200

Front mounting switch
Operator module of next size

Single hole mounting
ø 30,5 mm

204M1 (IP66)

Complete switch	Poles	Product line	Rated data (IEC 60947)			Order code number
			Operational current I _e	Operational power at 380–440 V		
			AC-21A A	AC-23A kW	AC-3 kW	
Rotary Cam Switches Switching angle 30°/45°/60°/90°	1 ... 24	P200	20 25	7,5 11	5,5 7,5	P220 - 61 ... - 204M1 P225 - 61 ... - 204M1

SMD Modules for basic switch A01

Mounting form module for 204M1

P200

BFB2 - 219

M-operator module 64 x 64 mm, mounting form 204M1

2KM1 - 30

Escutcheon black, handle black

Legend plate silver, operator module 204M1

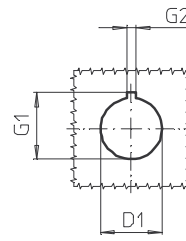
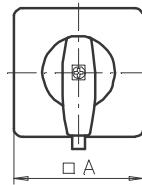
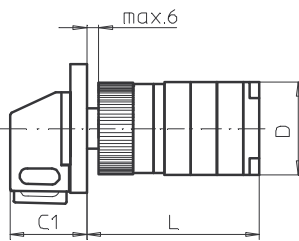
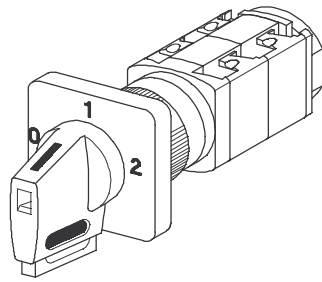
FAS4- (FA number)

Dimensions (mm)

Type	A	C1	D	D1	G1	G2	L with ... stages (max. 12)							each add. stage
							1	2	3	4	5	6	7	
P220	64	39	44	30,5	33	4,8	66	79	92	105	118	131	144	13
P221	64	39	44	30,5	33	4,8	69,5	86	102,5	119	135,5	152	168,5	16,5
P225	64	39	46	30,5	33	4,8	70	85	100	115	130	145	160	15
P226	64	39	46	30,5	33	4,8	73,5	92	110,5	129	147,5	166	184,5	18,5

Front Mounting Switches

sälzer



**Product line
P200**

Front mounting switch
Operator module of next size

Single hole mounting
ø 30,5 mm

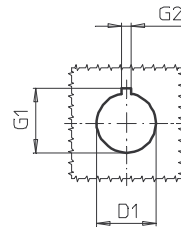
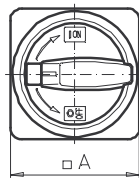
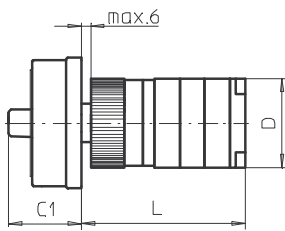
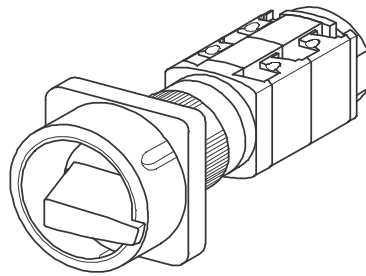
204V1 (IP66)

203V1 (IP66)

Complete switch	Poles	Product line	Rated data (IEC 60947)			Order code number								
			Operational current I _e	Operational power at 380–440 V										
			AC-21A A	AC-23A kW	AC-3 kW									
Rotary Cam Switches Switching angle 30°/45°/60°/90° Padlockable 12h	1 ... 24	P200	20 25	7,5 11	5,5 7,5	P220 - 61 ... - 204V1 P225 - 61 ... - 204V1								
Rotary Cam Switches Switching angle 90° 3 positions padlockable (09h/12h/03h)	1 ... 24	P200	20 25	7,5 11	5,5 7,5	P220 - 61 ... - 203V1 P225 - 61 ... - 203V1								
SMD Modules for basic switch A01														
Mounting form module for 204V1/ 203V1				P200		BFB2 - 219								
V-operator module 64 x 64 mm, mounting form 204V1 Escutcheon black, handle black						2KV1 - 1230								
V-operator module 64 x 64 mm, mounting form 203V1 Escutcheon black, handle black						2KV1 - 9930								
Legend plate silver, operator module 204V1/ 203V1						FAS4 - (FA number)								
Dimensions (mm)														
Type	A	C1	D	D1	G1	G2	L with ... stages (max. 12)							each add. stage
							1	2	3	4	5	6	7	
P220	64	39	44	30,5	33	4,8	66	79	92	105	118	131	144	13
P221	64	39	44	30,5	33	4,8	69,5	86	102,5	119	135,5	152	168,5	16,5
P225	64	39	46	30,5	33	4,8	70	85	100	115	130	145	160	15
P226	64	39	46	30,5	33	4,8	73,5	92	110,5	129	147,5	166	184,5	18,5

Front Mounting Switches

sälzer



**Product line
P200**

Front mounting switch

**Single hole mounting
ø 30,5 mm**

216M1 (IP66)

216M4 (IP66)

Complete switch	Poles	Product line	Rated data (IEC 60947)			Order code number
			Operational current I _e	Operational power at 380–440 V		
			AC-21A A	AC-23A kW	AC-3 kW	
Main Switches Switching angle 90° OFF position padlockable 09h	1 ... 24	P200	20	7,5	5,5	P220 - 61 ... - 216M1
			25	11	7,5	P225 - 61 ... - 216M1
Main/Emergency-Off Switches Switching angle 90° OFF position padlockable 09h	1 ... 24	P200	20	7,5	5,5	P220 - 61 ... - 216M4
			25	11	7,5	P225 - 61 ... - 216M4

SMD Modules for basic switch A01

Mounting form module for 216M.

P200

BFB2 - 219

M-padlock device 67 x 67 mm, mounting form 216M1
Escutcheon black, padlockable handle black

2FM1 - 30

M-padlock device 67 x 67 mm, mounting form 216M4
Escutcheon yellow, padlockable handle red

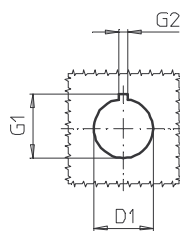
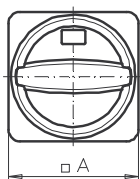
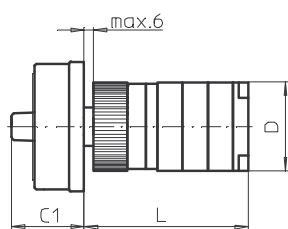
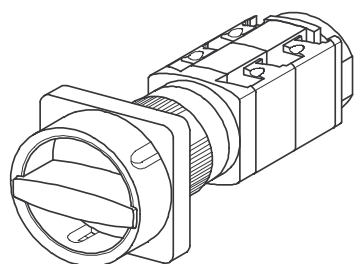
2FM4 - 30

Dimensions (mm)

Type	A	C1	D	D1	G1	G2	L with ... stages (max. 12)							each add. stage
							1	2	3	4	5	6	7	
P220	67	38	44	30,5	33	4,8	66	79	92	105	118	131	144	13
P221	67	38	44	30,5	33	4,8	69,5	86	102,5	119	135,5	152	168,5	16,5
P225	67	38	46	30,5	33	4,8	70	85	100	115	130	145	160	15
P226	67	38	46	30,5	33	4,8	73,5	92	110,5	129	147,5	166	184,5	18,5

Front Mounting Switches

sälzer



Product line
P200

Front mounting switch

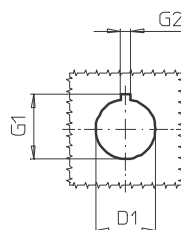
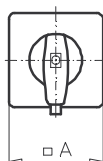
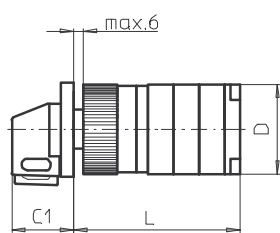
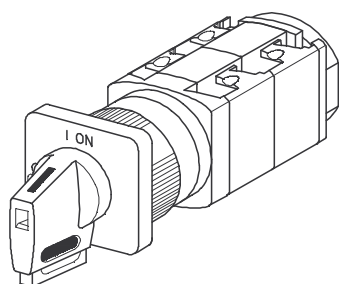
Single hole mounting
ø 30,5 mm

216N1 (IP66)
216N4 (IP66)

Complete switch	Poles	Product line	Rated data (IEC 60947)			Order code number								
			Operational current I _e	Operational power at 380–440 V										
			AC-21A A	AC-23A kW	AC-3 kW									
Main Switches Switching angle 90° OFF position padlockable 09h	1 ... 24	P200	20	7,5	5,5	P220 - 61 ... - 216N1								
			25	11	7,5	P225 - 61 ... - 216N1								
Main/Emergency-Off Switches Switching angle 90° OFF position padlockable 09h	1 ... 24	P200	20	7,5	5,5	P220 - 61 ... - 216N4								
			25	11	7,5	P225 - 61 ... - 216N4								
SMD Modules for basic switch A01														
Mounting form module for 216N.			P200			BFB2 - 219								
N-padlock device 67 x 67 mm, mounting form 216M1 Escutcheon black, padlockable handle black						2FN1 - 30								
N-padlock device 67 x 67 mm, mounting form 216M4 Escutcheon yellow, padlockable handle red						2FN4 - 30								
Dimensions (mm)														
Type	A	C1	D	D1	G1	G2	L with ... stages (max. 12)							each add. stage
							1	2	3	4	5	6	7	
P220	67	33	44	30,5	33	4,8	66	79	92	105	118	131	144	13
P221	67	33	44	30,5	33	4,8	69,5	86	102,5	119	135,5	152	168,5	16,5
P225	67	33	46	30,5	33	4,8	70	85	100	115	130	145	160	15
P226	67	33	46	30,5	33	4,8	73,5	92	110,5	129	147,5	166	184,5	18,5

Front Mounting Switches

sälzer



**Product line
P200**

Front mounting switch

**Single hole mounting
ø 30,5 mm**

**215V1 (IP66)
215V4 (IP66)**

Complete switch	Poles	Product line	Rated data (IEC 60947)			Order code number
			Operational current I _e		Operational power at 380–440 V	
			AC-21A A	AC-23A kW	AC-3 kW	
Main Switches Switching angle 90° OFF position padlockable 09h	1 ... 24	P200	20 25	7,5 11	5,5 7,5	P220 - 61 ... - 215V1 P225 - 61 ... - 215V1
Main/Emergency-Off Switches Switching angle 90° OFF position padlockable 09h	1 ... 24	P200	20 25	7,5 11	5,5 7,5	P220 - 61 ... - 215V4 P225 - 61 ... - 215V4

SMD Modules for basic switch A01

Mounting form module for 215V.

V-operator module 48 x 48 mm, mounting form 215V1
Escutcheon black, handle black

Legend plate silver, operator module 215V1

V-operator module 48 x 48 mm, mounting form 215V4
Escutcheon black, handle red

Legend plate yellow, operator module 215V4

P200

BFB2 - 219
2DV1 - 0930

FAS2 - (FA number)
2DV4 - 0930

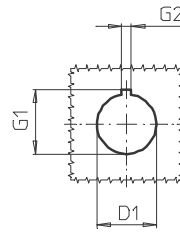
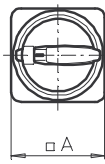
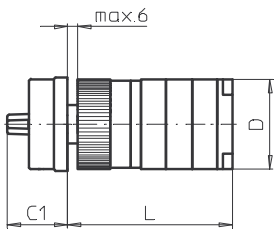
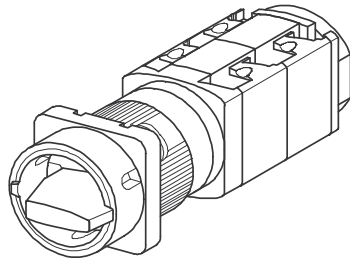
FBS2 - (FA number)

Dimensions (mm)

Type	A	C1	D	D1	G1	G2	L with ... stages (max. 12)							each add. stage
							1	2	3	4	5	6	7	
P220	48	32	44	30,5	33	4,8	66	79	92	105	118	131	144	13
P221	48	32	44	30,5	33	4,8	69,5	86	102,5	119	135,5	152	168,5	16,5
P225	48	32	46	30,5	33	4,8	70	85	100	115	130	145	160	15
P226	48	32	46	30,5	33	4,8	73,5	92	110,5	129	147,5	166	184,5	18,5

Front Mounting Switches

sälzer



**Product line
P200**

Front mounting switch

**Single hole mounting
ø 30,5 mm**

215M1 (IP66)

215M4 (IP66)

Complete switch	Poles	Product line	Rated data (IEC 60947)			Order code number
			Operational current I _e	Operational power at 380–440 V		
			AC-21A A	AC-23A kW	AC-3 kW	
Main Switches Switching angle 90° OFF position padlockable 09h	1 ... 24	P200	20	7,5	5,5	P220 - 61 ... - 215M1
			25	11	7,5	P225 - 61 ... - 215M1
Main/Emergency-Off Switches Switching angle 90° OFF position padlockable 09h	1 ... 24	P200	20	7,5	5,5	P220 - 61 ... - 215M4
			25	11	7,5	P225 - 61 ... - 215M4

SMD Modules for basic switch A01

Mounting form module for 215M.

P200

BFB2 - 219

M-padlock device 48 x 48 mm, mounting form 215M1
Escutcheon black, padlockable handle black

2EM1 - 30

M-padlock device 48 x 48 mm, mounting form 215M4
Escutcheon yellow, padlockable handle red

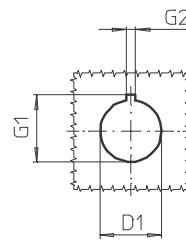
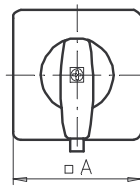
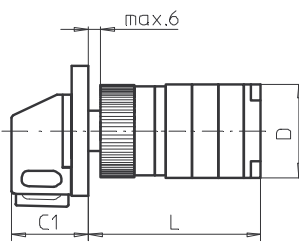
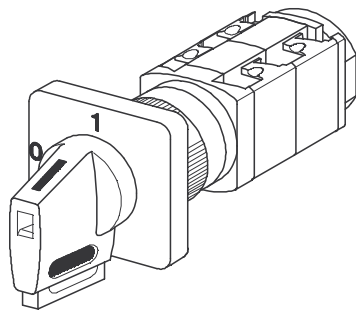
2EM4 - 30

Dimensions (mm)

Type	A	C1	D	D1	G1	G2	L with ... stages (max. 12)							each add. stage
							1	2	3	4	5	6	7	
P220	48	31	44	30,5	33	4,8	66	79	92	105	118	131	144	13
P221	48	31	44	30,5	33	4,8	69,5	86	102,5	119	135,5	152	168,5	16,5
P225	48	31	46	30,5	33	4,8	70	85	100	115	130	145	160	15
P226	48	31	46	30,5	33	4,8	73,5	92	110,5	129	147,5	166	184,5	18,5

Front Mounting Switches

sälzer



Product line
P200

Front mounting switch
Operator module of next size

Single hole mounting
ø 30,5 mm

216V1 (IP66)

216V4 (IP66)

Complete switch	Poles	Product line	Rated data (IEC 60947)			Order code number
			Operational current I _e	Operational power at 380–440 V		
			AC-21A A	AC-23A kW	AC-3 kW	
Main Switches Switching angle 90° OFF position padlockable 09h	1 ... 24	P200	20	7,5	5,5	P220 - 61 ... - 216V1
			25	11	7,5	P225 - 61 ... - 216V1
Main/Emergency-Off Switches Switching angle 90° OFF position padlockable 09h	1 ... 24	P200	20	7,5	5,5	P220 - 61 ... - 216V4
			25	11	7,5	P225 - 61 ... - 216V4

SMD Modules for basic switch A01

Mounting form module for 216V.

P200

BFB2 - 219

V-operator module 64 x 64 mm, mounting form 216V1
Escutcheon black, handle black

2KV1 - 0930

Legend plate silver, operator module 216V1

FAS4 - (FA number)

V-operator module 64 x 64 mm, mounting form 216V4
Escutcheon black, handle red

2KV4 - 0930

Legend plate yellow, operator module 216V4

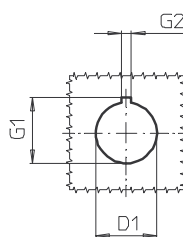
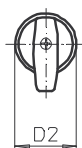
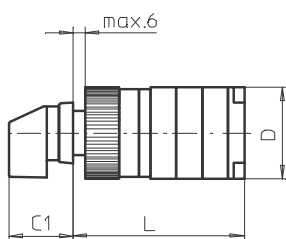
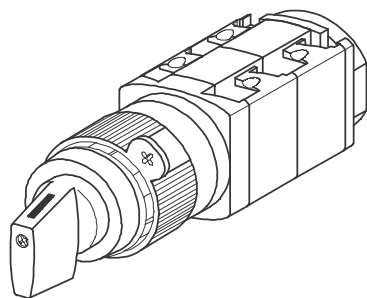
FBS4 - (FA number)

Dimensions (mm)

Type	A	C1	D	D1	G1	G2	L with ... stages (max. 12)							each add. stage
							1	2	3	4	5	6	7	
P220	64	39	44	30,5	33	4,8	66	79	92	105	118	131	144	13
P221	64	39	44	30,5	33	4,8	69,5	86	102,5	119	135,5	152	168,5	16,5
P225	64	39	46	30,5	33	4,8	70	85	100	115	130	145	160	15
P226	64	39	46	30,5	33	4,8	73,5	92	110,5	129	147,5	166	184,5	18,5

Front Mounting Switches

sälzer



**Product line
P200**

**Front mounting switch
with front ring**

**Single hole mounting
ø 30,5 mm**

208M1 (IP66)

Complete switch	Poles	Product line	Rated data (IEC 60947)			Order code number
			Operational current I _e	Operational power at 380–440 V		
			AC-21A A	AC-23A kW	AC-3 kW	
Rotary Cam Switches Switching angle 30°/45°/60°/90°	1 ... 24	P200	20 25	7,5 11	5,5 7,5	P220 - 61 ... - 208M1 P225 - 61 ... - 208M1

SMD Modules for basic switch A01

Mounting form module for 208M1

Front ring black ø 39,5 mm, M-handle black, mounting form 208M1
(Front ring without legend)

P200

BFB2 - 219

2HM1 - 30

Dimensions (mm)

Type	C1	D	D1	D2	G1	G2	L with ... stages (max. 12)							each add. stage
							1	2	3	4	5	6	7	
P220	32	46	30,5	39,5	33	4,8	66	79	92	105	118	131	144	13
P221	32	46	30,5	39,5	33	4,8	69,5	86	102,5	119	135,5	152	168,5	16,5
P225	32	48	30,5	39,5	33	4,8	70	85	100	115	130	145	160	15
P226	32	50	30,5	39,5	33	4,8	73,5	92	110,5	129	147,5	166	184,5	18,5

Front Mounting Switches

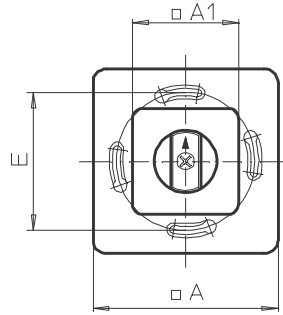
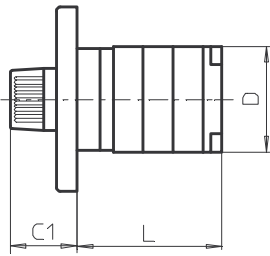
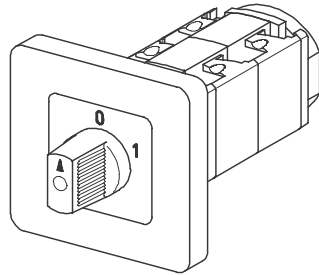
sälzer

**Product line
P200**

Front mounting switch

Wall mounting

025N3 (IP30)



Complete switch	Poles	Product line	Rated data (IEC 60947)			Order code number
			Operational current I _e	Operational power at 380–440 V		
			AC-21A A	AC-23A kW	AC-3 kW	
Rotary Cam Switches	1 ... 4	P200	20	7,5	5,5	P220 - 61 ... - 025N3
Switching angle 30°/45°/60°/90°	1 ... 2		25	11	7,5	P225 - 61 ... - 025N3

SMD modules for basic switch A01

Mounting form module with N-operator module for 025N3
Escutcheon white, handle white

P200

BFA2 - 025N3

Legend plate silver, mounting form module 025N3

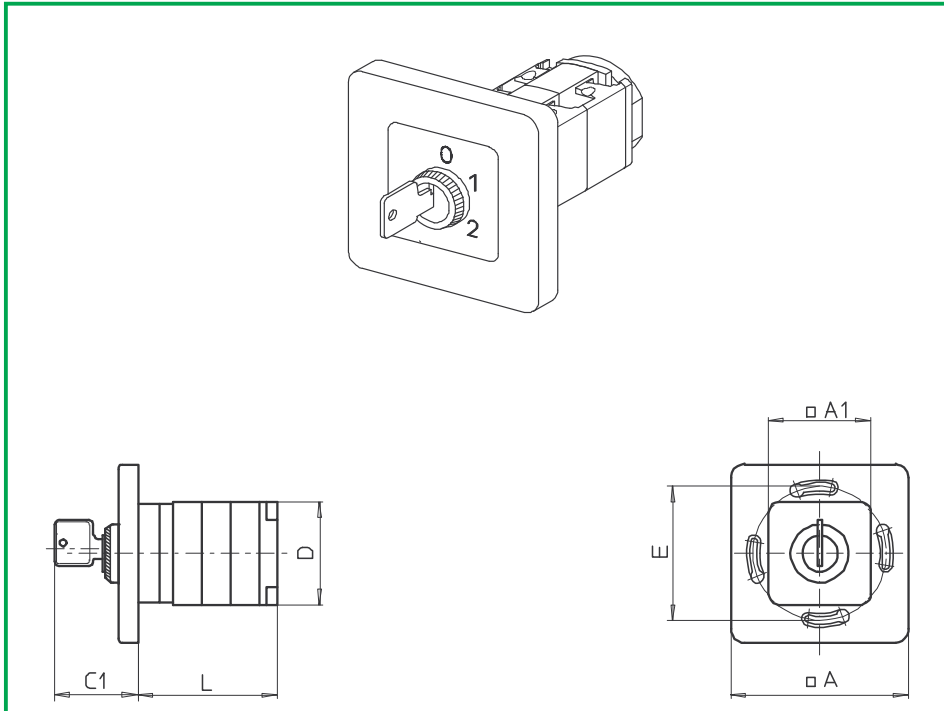
FAS2 - (FA number)

Dimensions (mm)

Type	A	A1	C1	D	E	L with ... stages	
						1	2
P220	80	46	31	44	60	43	56
P221	80	46	31	44	60	46,5	-
P225	80	46	31	46	60	47	-
P226	80	46	31	46	60	50,5	-

Front Mounting Switches

sälzer



Product line
P200

Front mounting switch

Wall mounting

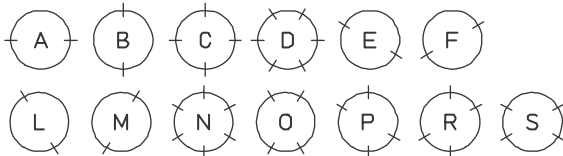
Escutcheon
90 x 90 mm white

Key operated

U001. (IP40)

Complete switch	Poles	Product line	Rated data (IEC 60947)			Order code number
			Operational current I _e	Operational power at 380–440 V		
			AC-21A A	AC-23A kW	AC-3 kW	
Rotary Cam Switches Switching angle 60°/ 90° (30°/45° upon request)	1 ... 8	P200	20 25	7,5 11	5,5 7,5	P220 - 61 ... - U001. P225 - 61 ... - U001.

The dot in the order code number of the complete mounting form/operator module must be replaced by the classification letter which identifies the key removable positions:



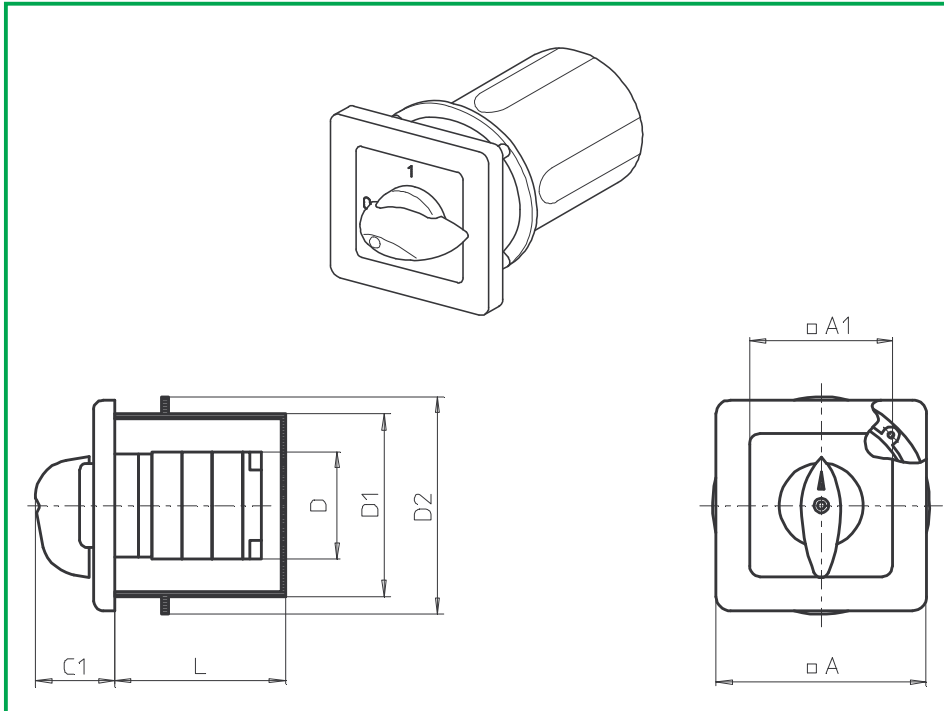
Lines indicate the key removable positions.

SMD modules for basic switch A01			
Mounting form module for U001.		P200	BFA2-U001.
Operator module 90 x 90 mm, mounting form U001. Escutcheon white, DOM lock, (2 keys), key number 7 D1			
Legend plate silver for operator module			FAS4 - (FA number)

Dimensions (mm)									
Type	A	A1	C1	D	E	L with ... stages			
						1	2	3	4
P220	90	61	42	44	60	51	64	77	90
P221	90	61	42	44	60	54,5	71	87,5	104
P225	90	61	42	46	60	55	70	85	100
P226	90	61	42	46	60	58,5	77	95,5	114

Front Mounting Switches

sälzer



**Product line
P200**

Front mounting switch
Operator module of next size

Wall mounting
with plaster depth box
(special)

024B3 (IP30)

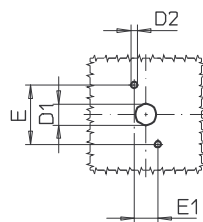
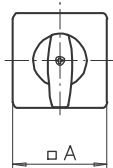
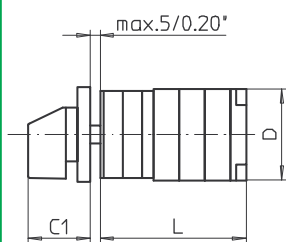
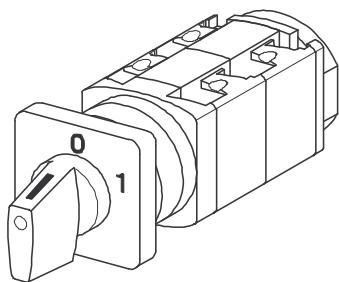
Complete switch	Poles	Product line	Rated data (IEC 60947)			Order code number
			Operational current I _e	Operational power at 380–440 V		
			AC-21A A	AC-23A kW	AC-3 kW	
Rotary Cam Switches	1 ... 8	P200	20	7,5	5,5	P220 - 61 ... - 024B3
Switching angle 30°/45°/60°/90°	1 ... 6		25	11	7,5	P225 - 61 ... - 024B3

SMD modules for basic switch A01			
Mounting form module with B-operator module for 024B3		P200	BFA2 - 024B3
Escutcheon white, handle white			
Legend plate silver, mounting form module 024B3			FAS4 - (FA number)

Dimensions (mm)												
Type	A	A1	C1	D	D1	D2	L with ... stages					
							1	2	3	4	5	6
P220	90	61	38	44	78	93	97	97	97	97	-	-
P221	90	61	38	44	78	93	97	97	97	-	-	-
P225	90	61	38	46	78	93	97	97	97	-	-	-
P225	90	61	38	46	78	93	97	97	97	-	-	-

Front Mounting Switches

sälzer



Product line
P200

Front mounting switch

Two hole mounting
30 x 12,2 mm

M-operator module
48 x 48 mm

503M1 (IP66)

Complete switch	Poles	Product line	Rated data (IEC 60947)			Order code number
			Operational current I _e	Operational power at 380–440 V		
			AC-21A A	AC-23A kW	AC-3 kW	
Rotary Cam Switches Switching angle 30°/45°/60°/90°	1 ... 24	P200	20 25	7,5 11	5,5 7,5	P220 - 61 ... - 503M1 P225 - 61 ... - 503M1

SMD modules for basic switch A01

Mounting form module for 503M1

P200

BFB2 - 503

M-operator module 48 x 48 mm, mounting form 503M1

2UM1

Escutcheon black, handle black

Legend plate silver, operator module 503M1

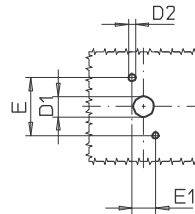
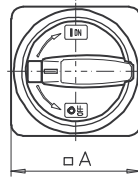
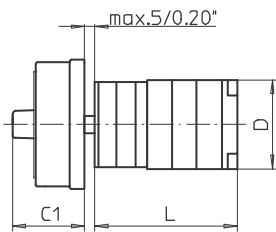
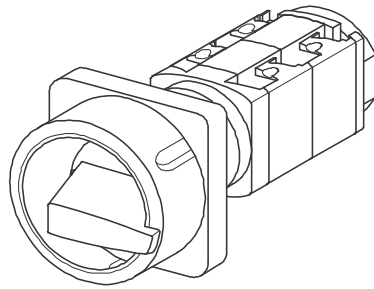
FAS2 - (FA number)

Dimensions (mm)

Type	A	C1	D	D1	D2	E	E1	L with ... stages (max. 12)						each add. stage
								1	2	3	4	5	6	
P220	48	32	44	12	3,5	30	12,2	53	66	79	92	105	118	13
P221	48	32	44	12	3,5	30	12,2	56,5	73	89,5	106	122,5	139	16,5
P225	48	32	46	12	3,5	30	12,2	57	72	87	102	117	132	15
P226	48	32	46	12	3,5	30	12,2	60,5	79	97,5	116	124,5	153	18,5

Front Mounting Switches

sälzer



**Product line
P200**

Front mounting switch

Two hole mounting
30 x 12,2 mm

M-padlock device
67 x 67 mm

133M1 (IP66)

133M4 (IP66)

Complete switch	Poles	Product line	Rated data (IEC 60947)			Order code number
			Operational current I _e	Operational power at 380–440 V		
			AC-21A A	AC-23A kW	AC-3 kW	
Main Switches Switching angle 90° OFF position padlockable 09h	1 ... 24	P200	20	7,5	5,5	P220 - 61 ... - 133M1
			25	11	7,5	P225 - 61 ... - 133M1
Main/Emergency-Off Switches Switching angle 90° OFF position padlockable 09h	1 ... 24	P200	20	7,5	5,5	P220 - 61 ... - 133M4
			25	11	7,5	P225 - 61 ... - 133M4

SMD modules for basic switch A01

Mounting form module for 133M.

P200

BFB2 - 133

M-padlock device 67 x 67 mm, mounting form 133M1
Escutcheon black, padlockable handle black

2VM1

M-padlock device 67 x 67 mm, mounting form 133M4
Escutcheon yellow, padlockable handle red

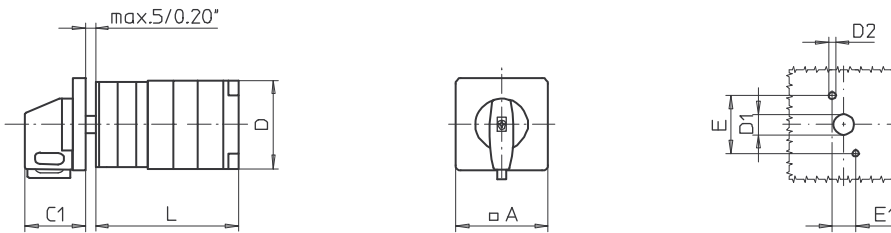
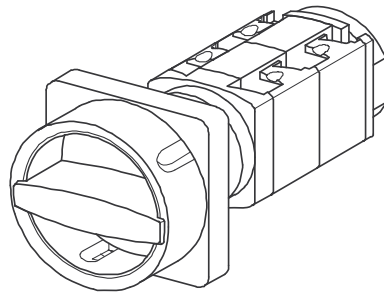
2VM4

Dimensions (mm)

Type	A	C1	D	D1	D2	E	E1	L with ... stages (max. 12)						each add. stage
								1	2	3	4	5	6	
P220	67	38	44	12	3,5	30	12,2	53	66	79	92	105	118	13
P221	67	38	44	12	3,5	30	12,2	56,5	73	89,5	106	122,5	139	16,5
P225	67	38	46	12	3,5	30	12,2	57	72	87	102	117	132	15
P226	67	38	46	12	3,5	30	12,2	60,5	79	97,5	116	124,5	153	18,5

Front Mounting Switches

sälzer



**Product line
P200**

Front mounting switch

Two hole mounting
30 x 12,2 mm

N-padlock device
67 x 67 mm

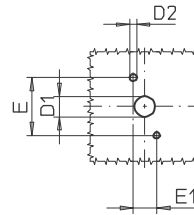
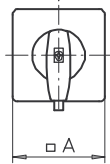
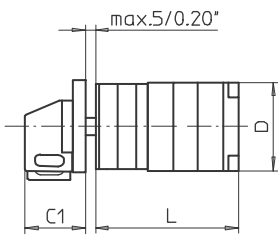
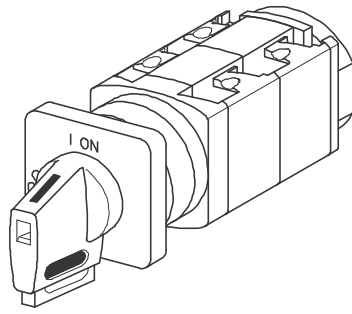
133N1 (IP66)

133N4 (IP66)

Complete switch	Poles	Product line	Rated data (IEC 60947)			Order code number								
			Operational current I _e	Operational power at 380–440 V										
			AC-21A A	AC-23A kW	AC-3 kW									
Main Switches Switching angle 90° OFF position padlockable 09h	1 ... 24	P200	20	7,5	5,5	P220 - 61 ... - 133N1								
			25	11	7,5	P225 - 61 ... - 133N1								
Main/Emergency-Off Switches Switching angle 90° OFF position padlockable 09h	1 ... 24	P200	20	7,5	5,5	P220 - 61 ... - 133N4								
			25	11	7,5	P225 - 61 ... - 133N4								
SMD modules for basic switch A01														
Mounting form module for 133N.			P200			BFB2 - 133								
N-padlock device 67 x 67 mm, mounting form 133N1 Escutcheon black, padlockable handle black						2VN1								
N-padlock device 67 x 67 mm, mounting form 133N4 Escutcheon yellow, padlockable handle red						2VN4								
Dimensions (mm)														
Type	A	C1	D	D1	D2	E	E1	L with ... stages (max. 12)						each add. stage
								1	2	3	4	5	6	
P220	67	33	44	12	3,5	30	12,2	53	66	79	92	105	118	13
P221	67	33	44	12	3,5	30	12,2	56,5	73	89,5	106	122,5	139	16,5
P225	67	33	46	12	3,5	30	12,2	57	72	87	102	117	132	15
P226	67	33	46	12	3,5	30	12,2	60,5	79	97,5	116	124,5	153	18,5

Front Mounting Switches

sälzer



**Product line
P200**

Front mounting switch

**Two hole mounting
30 x 12,2 mm**

**V-operator module
48 x 48 mm**

133V1 (IP66)

133V4 (IP66)

Complete switch	Poles	Product line	Rated data (IEC 60947)			Order code number
			Operational current I _e	Operational power at 380–440 V		
			AC-21A A	AC-23A kW	AC-3 kW	
Main Switches Switching angle 90° OFF position padlockable 09h	1 ... 24	P200	20	7,5	5,5	P220 - 61 ... - 133V1
			25	11	7,5	P225 - 61 ... - 133V1
Main/Emergency-Off Switches Switching angle 90° OFF position padlockable 09h	1 ... 24	P200	20	7,5	5,5	P220 - 61 ... - 133V4
			25	11	7,5	P225 - 61 ... - 133V4

SMD modules for basic switch A01

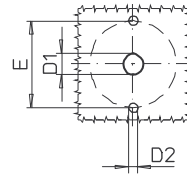
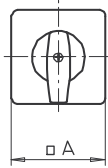
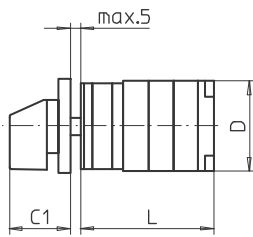
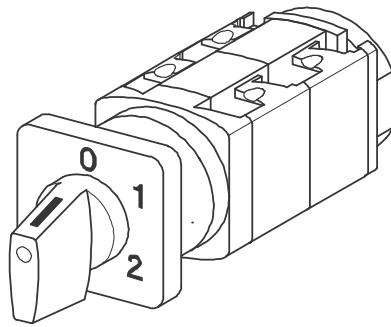
Mounting form module for 133V.	P200	BFB2 - 503
V-operator module 48 x 48 mm, mounting form 133V1 Escutcheon black, handle black		2UV1 - 09
Legend plate silver, operator module 133V1		FAS2 - 9078
V-operator module 48 x 48 mm, mounting form 133V4 Escutcheon black, handle red		2UV4 - 09
Legend plate yellow, operator module 133V4		FBS2 - 9078

Dimensions (mm)

Type	A	C1	D	D1	D2	E	E1	L with ... stages (max. 12)						each add. stage
								1	2	3	4	5	6	
P220	48	32	44	12	3,5	30	12,2	53	66	79	92	105	118	13
P221	48	32	44	12	3,5	30	12,2	56,5	73	89,5	106	122,5	139	16,5
P225	48	32	46	12	3,5	30	12,2	57	72	87	102	117	132	15
P226	48	32	46	12	3,5	30	12,2	60,5	79	97,5	116	124,5	153	18,5

Front Mounting Switches

sälzer



**Product line
P200**

Front mounting switch
Escutcheon 48 x 48 mm

Two hole mounting
ø 31 mm

140M1 (IP66)

Complete switch	Poles	Product line	Rated data (IEC 60947)			Order code number
			Operational current I _e	Operational power at 380–440 V		
			AC-21A A	AC-23A kW	AC-3 kW	
Rotary Cam Switches Switching angle 30°/45°/60°/90°	1 ... 24	P200	20 25	7,5 11	5,5 7,5	P220 - 61 ... - 140M1 P225 - 61 ... - 140M1

SMD modules for basic switch A01

Mounting form module for 140M1
M-operator module 48x48, mounting form 140M1
Legend plate silver, operator module 140M1

P200

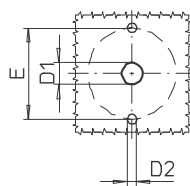
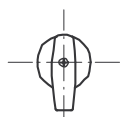
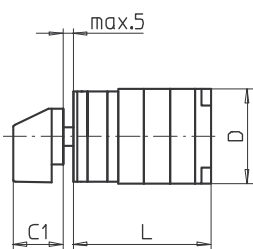
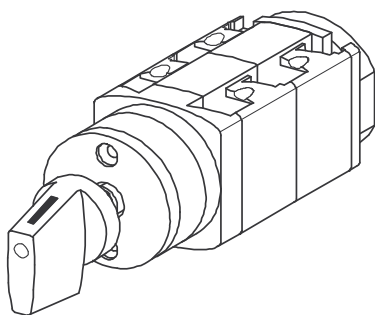
BFA2 - 140
2QM1
FAS2-....

Dimensions (mm)

Type	A	C1	D	D1	D2	E	L with ... stages (max. 12)							each add. stage
							1	2	3	4	5	6	7	
P220	48	32	44	12	4,5	31	47	60	73	86	99	112	125	13
P221	48	32	44	12	4,5	31	50,5	67	83,5	100	116,5	133	149,5	16,5
P225	48	32	46	12	4,5	31	51	66	81	96	111	126	141	15
P226	48	32	46	12	4,5	31	54,5	73	91,5	110	128,5	147	165,5	18,5

Front Mounting Switches

sälzer



**Product line
P200**

**Front mounting switch
without escutcheon**

**Two hole mounting
ø 31 mm**

141M1 (IP66)

Complete switch	Poles	Product line	Rated data (IEC 60947)			Order code number
			Operational current I _e	Operational power at 380–440 V		
			AC-21A A	AC-23A kW	AC-3 kW	
Rotary Cam Switches Switching angle 30°/45°/60°/90°	1 ... 24	P200	20 25	7,5 11	5,5 7,5	P220 - 61 ... - 141M1 P225 - 61 ... - 141M1

SMD modules for basic switch A01

Mounting form module for 141M1
(Shaft shortened by 5 mm)

P200

**BFA2 - 141
2XM1**

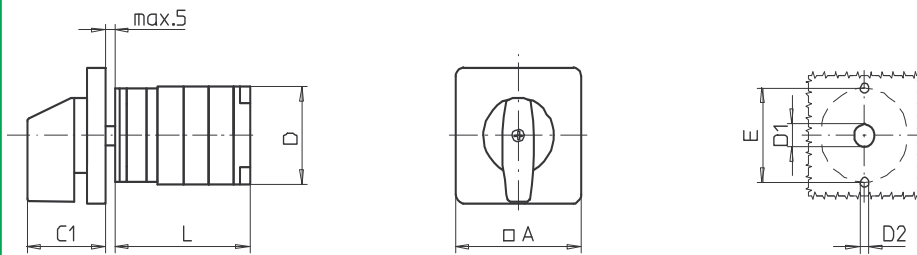
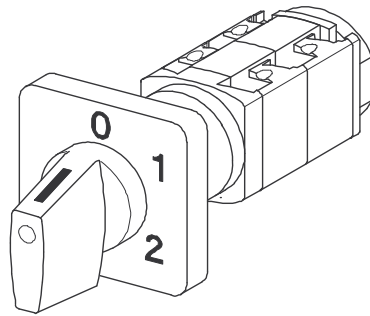
M-handle black, mounting form 141M1
(Mounting without escutcheon and legend plate)

Dimensions (mm)

Type	C1	D	D1	D2	E	L with ... stages (max. 12)							each add. stage
						1	2	3	4	5	6	7	
P220	25	44	12	4,5	31	47	60	73	86	99	112	125	13
P221	25	44	12	4,5	31	50,5	67	83,5	100	116,5	133	149,5	16,5
P225	25	46	12	4,5	31	51	66	81	96	111	126	141	15
P226	25	46	12	4,5	31	54,5	73	91,5	110	128,5	147	165,5	18,5

Front Mounting Switches

sälzer



**Product line
P200**

Front mounting switch
Operator module of next size
Escutcheon 64 x 64 mm

Two hole mounting
ø 31 mm

142M1 (IP66)

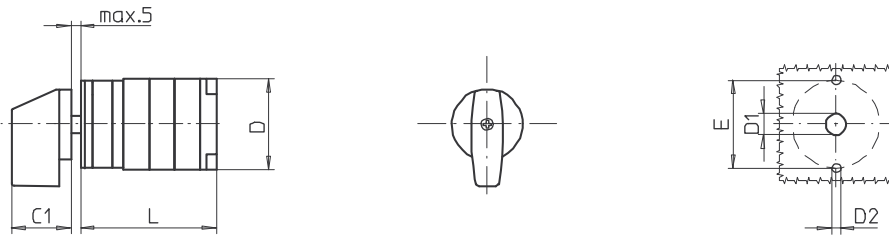
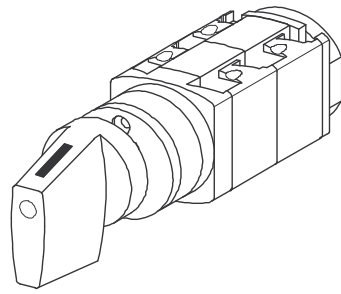
Complete switch	Poles	Product line	Rated data (IEC 60947)			Order code number
			Operational current I _e	Operational power at 380–440 V		
			AC-21A A	AC-23A kW	AC-3 kW	
Rotary Cam Switches Switching angle 30°/45°/60°/90°	1 ... 24	P200	20 25	7,5 11	5,5 7,5	P220 - 61 ... - 142M1 P225 - 61 ... - 142M1

SMD modules for basic switch A01			
Mounting form module for 142M1		P200	BFA2 - 142
M-operator module 64 x 64, mounting form 142M1			4KM1
Legend plate silver, operator module 142M1			FAS4-....

Dimensions (mm)														
Type	A	C1	D	D1	D2	E	L with ... stages (max. 12)							each add. stage
							1	2	3	4	5	6	7	
P220	64	39	44	15	5	31	47	60	73	86	99	112	125	13
P221	64	39	44	15	5	31	50,5	67	83,5	100	116,5	133	149,5	16,5
P225	64	39	46	15	5	31	51	66	81	96	111	126	141	15
P226	64	39	46	15	5	31	54,5	73	91,5	110	128,5	147	165,5	18,5

Front Mounting Switches

sälzer



**Product line
P200**

Front mounting switch
Operator module of next size
without escutcheon

Two hole mounting
ø 31 mm

143M1 (IP66)

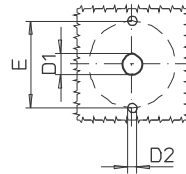
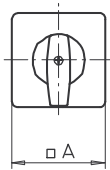
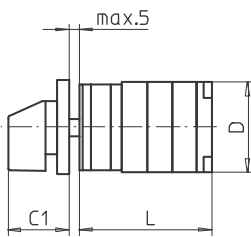
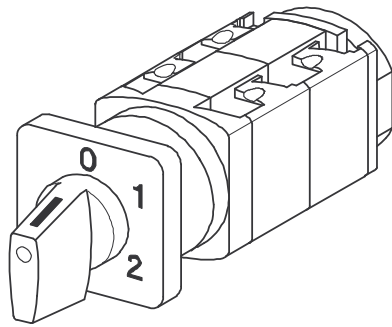
Complete switch	Poles	Product line	Rated data (IEC 60947)			Order code number
			Operational current I _e	Operational power at 380–440 V		
			AC-21A A	AC-23A kW	AC-3 kW	
Rotary Cam Switches Switching angle 30°/45°/60°/90°	1 ... 24	P200	20 25	7,5 11	5,5 7,5	P220 - 61 ... - 143M1 P225 - 61 ... - 143M1

SMD modules for basic switch A01			
Mounting form module for 143M1 (Shaft shortened by 5 mm)		P200	BFA2 - 143
M-handle black, mounting form 143M1 (Mounting without escutcheon and legend plate)			4XM1

Type	Dimensions (mm)					L with ... stages (max. 12)							each add. stage
	C1	D	D1	D2	E	1	2	3	4	5	6	7	
P220	30	44	12	4,5	31	47	60	73	86	99	112	125	13
P221	30	44	12	4,5	31	50,5	67	83,5	100	116,5	133	149,5	16,5
P225	30	46	12	4,5	31	51	66	81	96	111	126	141	15
P226	30	46	12	4,5	31	54,5	73	91,5	110	128,5	147	165,5	18,5

Front Mounting Switches

sälzer



**Product line
P200**

Front mounting switch
Escutcheon 48 x 48 mm

Two hole mounting
ø 31 mm

Hexagon steel shaft

144M1 (IP66)

Complete switch	Poles	Product line	Rated data (IEC 60947)			Order code number
			Operational current I _e	Operational power at 380–440 V		
			AC-21A A	AC-23A kW	AC-3 kW	
Rotary Cam Switches Switching angle 30°/45°/60°/90°	1 ... 24	P200	20 25	7,5 11	5,5 7,5	P220 - 61 ... - 144M1 P225 - 61 ... - 144M1

SMD modules for basic switch A01

Mounting form module for 144M1

M-operator module 48x48, mounting form 144M1

Legend plate silver, operator module 144M1

P200

BFA2 - 144

2RM1

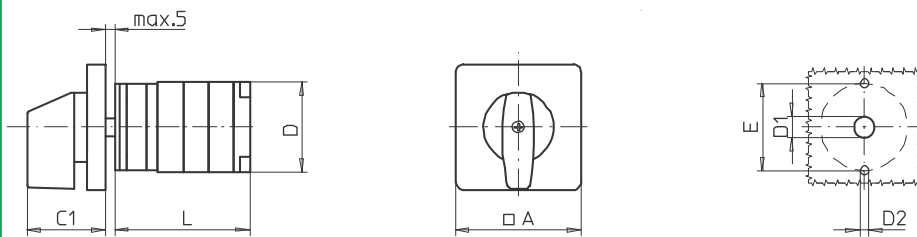
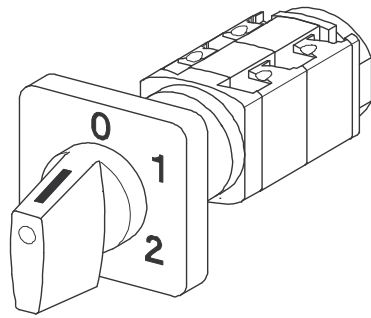
FAS2-....

Dimensions (mm)

Type	A	C1	D	D1	D2	E	L with ... stages (max. 12)							each add. stage
							1	2	3	4	5	6	7	
P220	48	32	44	12	4,5	31	47	60	73	86	99	112	125	13
P221	48	32	44	12	4,5	31	50,5	67	83,5	100	116,5	133	149,5	16,5
P225	48	32	46	12	4,5	31	51	66	81	96	111	126	141	15
P226	48	32	46	12	4,5	31	54,5	73	91,5	110	128,5	147	165,5	18,5

Front Mounting Switches

sälzer



**Product line
P200**

Front mounting switch
Operator module of next size
Escutcheon 64 x 64 mm

Two hole mounting
ø 31 mm

Hexagon steel shaft

145M1 (IP66)

Complete switch	Poles	Product line	Rated data (IEC 60947)			Order code number
			Operational current I _e	Operational power at 380–440 V		
			AC-21A A	AC-23A kW	AC-3 kW	
Rotary Cam Switches Switching angle 30°/45°/60°/90°	1 ... 24	P200	20 25	7,5 11	5,5 7,5	P220 - 61 ... - 145M1 P225 - 61 ... - 145M1

SMD modules for basic switch A01			
Mounting form module for 145M1		P200	BFA2 - 145
M-operator module 64 x 64, mounting form 145M1			4LM1
Legend plate silver, operator module 145M1			FAS4-....

Dimensions (mm)														
Type	A	C1	D	D1	D2	E	L with ... stages (max. 12)						each add. stage	
							1	2	3	4	5	6		7
P220	64	39	44	15	5	31	47	60	73	86	99	112	125	13
P221	64	39	44	15	5	31	50,5	67	83,5	100	116,5	133	149,5	16,5
P225	64	39	46	15	5	31	51	66	81	96	111	126	141	15
P226	64	39	46	15	5	31	54,5	73	91,5	110	128,5	147	165,5	18,5

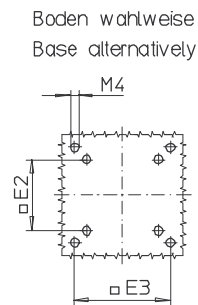
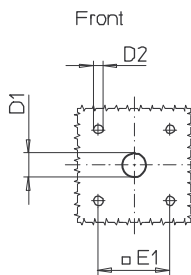
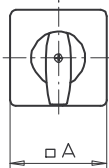
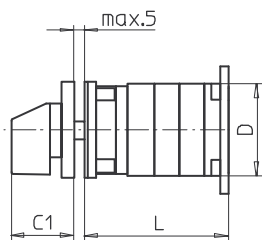
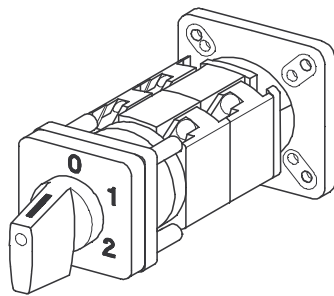


Section B

	Page	
	from	to
Base / front mounting	B1-1	B1-12
Door clutch with modular shaft extension Four hole front mounting	B2-1	B2-23
Door interlock with modular shaft extension Four hole front mounting N/PE connection link	B3-1	B3-23

Base Mounting Switches

sälzer



Boden wahlweise
Base alternatively

**Product line
P200**

Base mounting switch

Base/front mounting

**Four hole mounting
36 x 36 mm front**

002M1

Complete switch	Poles	Product line	Rated data (IEC 60947)			Order code number
			Operational current I _e	Operational power at 380–440 V		
			AC-21A A	AC-23A kW	AC-3 kW	
Rotary Cam Switches Switching angle 30°/45°/60°/90°	1 ... 24	P200	20 25	7,5 11	5,5 7,5	P220 - 61 ... - 002M1 P225 - 61 ... - 002M1

SMD modules for basic switch A02

Mounting form module for 002M1

M-operator module 48 x 48 mm, mounting form 002M1

Escutcheon black, handle black

Legend plate silver, operator module 002M1

P200

BFA2 - 002

2AM1

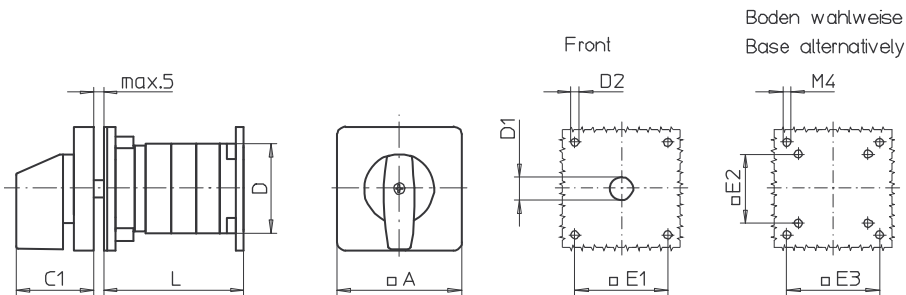
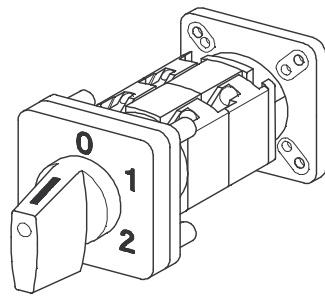
FAS2 - (FA number)

Dimensions (mm)

Type	A	C1	D	D1	D2	E1	E2	L with ... stages (max. 12)						each add. stage
								1	2	3	4	5	6	
P220	48	32	44	12	4,5	36	48	47	60	73	86	99	112	13
P221	48	32	44	12	4,5	36	48	50,5	67	83,5	100	116,5	133	16,5
P225	48	32	46	12	4,5	36	48	49	64	79	94	109	124	15
P226	48	32	46	12	4,5	36	48	52,5	71	89,5	108	126,5	145	18,5

Base Mounting Switches

sälzer



**Product line
P200**

Base mounting switch
Operator module of next size

Base/front mounting

Four hole mounting
48 x 48 mm front

012M1 (IP66)

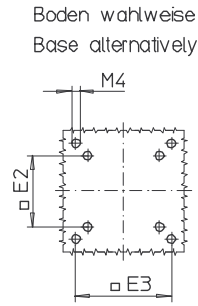
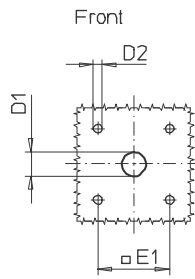
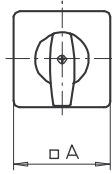
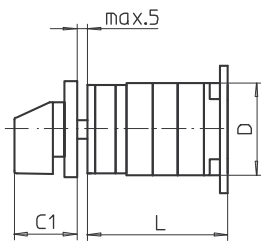
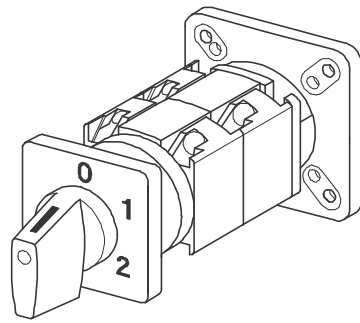
Complete switch	Poles	Product line	Rated data (IEC 60947)			Order code number
			Operational current I _e	Operational power at 380–440 V		
			AC-21A A	AC-23A kW	AC-3 kW	
Rotary Cam Switches Switching angle 30°/45°/60°/90°	1 ... 24	P200	20 25	7,5 11	5,5 7,5	P220 - 61 ... - 012M1 P225 - 61 ... - 012M1

SMD modules for basic switch A02			
Mounting form module for 012M1		P200	BFA2 - 012
M-operator module 64 x 64 mm, mounting form 012M1			4AM1
Escutcheon black, handle black			
Legend plate silver, operator module 012M1			FAS4 - (FA number)

Dimensions (mm)														
Type	A	C1	D	D1	D2	E1	E2	L with ... stages (max. 12)					each add. stage	
								E3	1	2	3	4		5
P220	64	39	44	15	5	48	36	48	51	64	77	90	103	13
P221	64	39	44	15	5	48	36	48	54,5	71	87,5	104	120,5	16,5
P225	64	39	46	15	5	48	36	48	55	70	85	100	115	15
P226	64	39	46	15	5	48	36	48	58,5	77	95,5	114	132,5	18,5

Base Mounting Switches

sälzer



**Product line
P200**

Base mounting switch

**Base mounting
Four hole mounting**
36 x 36 mm / 48 x 48 mm

M-operator module
Escutcheon 48 x 48 mm

155M1 (IP40)

Complete switch	Poles	Product line	Rated data (IEC 60947)			Order code number
			Operational current I _e	Operational power at 380–440 V		
			AC-21A A	AC-23A kW	AC-3 kW	
Rotary Cam Switches Switching angle 30°/45°/60°/90°	1 ... 24	P200	20 25	7,5 11	5,5 7,5	P220 - 61 ... - 155M1 P225 - 61 ... - 155M1

SMD modules for basic switch A02

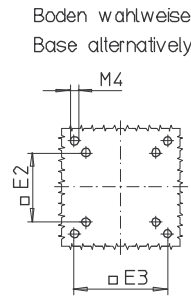
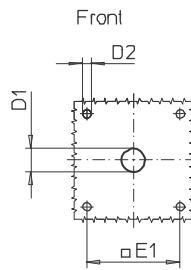
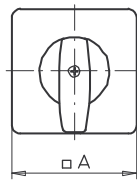
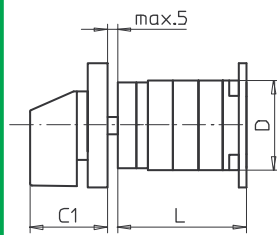
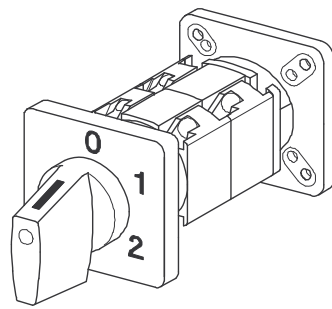
Mounting form module for 155M1	P200	BFA2 - 155
M-operator module 48 x 48 mm, mounting form 155M1		2AM1
Escutcheon black, handle black		
Legend plate silver, operator module 155M1		FAS2 - (FA number)

Dimensions (mm)

Type	A	C1	D	D1	D2	E1	E2	L with ... stages (max. 12)					each add. stage	
								E3	1	2	3	4		5
P220	48	32	44	12	4,5	36	36	48	49	62	75	88	101	13
P221	48	32	44	12	4,5	36	36	48	52,5	69	85,5	102	118,5	16,5
P225	48	32	46	12	4,5	36	36	48	53	68	83	98	113	15
P226	48	32	46	12	4,5	36	36	48	56,5	75	93,5	112	130,5	18,5

Base Mounting Switches

sälzer



Boden wahlweise
Base alternatively

Product line
P200

Base mounting switch
Operator module of next size

Base mounting
Four hole mounting

36 x 36 mm / 48 x 48 mm

M-operator module

Escutcheon 64 x 64 mm

156M1 (IP40)

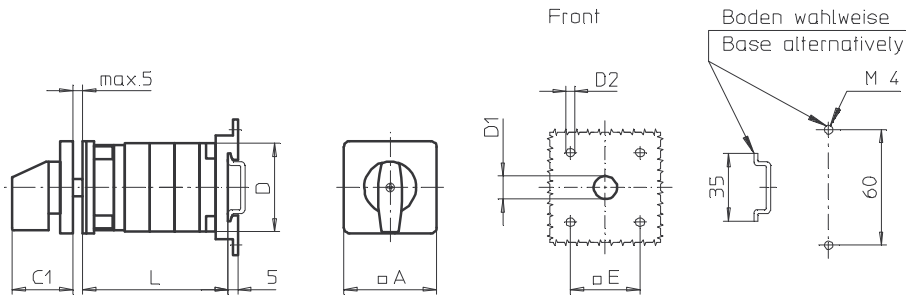
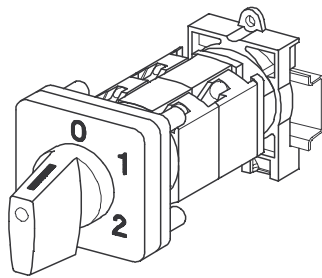
Complete switch	Poles	Product line	Rated data (IEC 60947)			Order code number
			Operational current I _e	Operational power at 380–440 V		
			AC-21A A	AC-23A kW	AC-3 kW	
Rotary Cam Switches Switching angle 30°/45°/60°/90°	1 ... 24	P200	20 25	7,5 11	5,5 7,5	P220 - 61 ... - 156M1 P225 - 61 ... - 156M1

SMD modules for basic switch A02			
Mounting form module for 156M1		P200	BFA2 - 156
M-operator module 64 x 64 mm, mounting form 156M1			4AM1
Escutcheon black, handle black			
Legend plate silver, operator module 156M1			FAS4 - (FA number)

Dimensions (mm)														
Type	A	C1	D	D1	D2	E1	E2	L with ... stages (max. 12)					each add. stage	
								E3	1	2	3	4		5
P220	64	39	44	12	4,5	48	36	48	49	62	75	88	101	13
P221	64	39	44	12	4,5	48	36	48	52,5	69	85,5	102	118,5	16,5
P225	64	39	46	12	4,5	48	36	48	53	68	83	98	113	15
P226	64	39	46	12	4,5	48	36	48	56,5	75	93,5	112	130,5	18,5

Base Mounting Switches

sälzer



Product line
P200

Base mounting switch

Base/front mounting

Four hole mounting
36 x 36 mm front

021M1

Complete switch	Poles	Product line	Rated data (IEC 60947)			Order code number
			Operational current I_e	Operational power at 380–440 V		
			AC-21A A	AC-23A kW	AC-3 kW	
Rotary Cam Switches Switching angle 30°/45°/60°/90°	1 ... 24	P200	20 25	7,5 11	5,5 7,5	P220 - 61 ... - 021M1 P225 - 61 ... - 021M1

SMD modules for basic switch A02

Mounting form module for 021M1

P200

BFA2 - 021

M-operator module 48 x 48 mm, mounting form 021M1

2AM1

Escutcheon black, handle black

Legend plate silver, operator module 021M1

FAS2 - (FA number)

Dimensions (mm)

Type	A	C1	D	D1	D2	E	L with ... stages (max. 12)							each add. stage
							1	2	3	4	5	6	7	
P220	48	32	44	12	4,5	36	46	59	72	85	98	111	124	13
P221	48	32	44	12	4,5	36	49,5	66	82,5	99	115,5	132	148,5	16,5
P225	48	32	46	12	4,5	36	48	63	78	93	108	123	138	15
P226	48	32	46	12	4,5	36	51,5	70	88,5	107	125,5	144	162,5	18,5

Base Mounting Switches

sälzer

**Product line
P200**

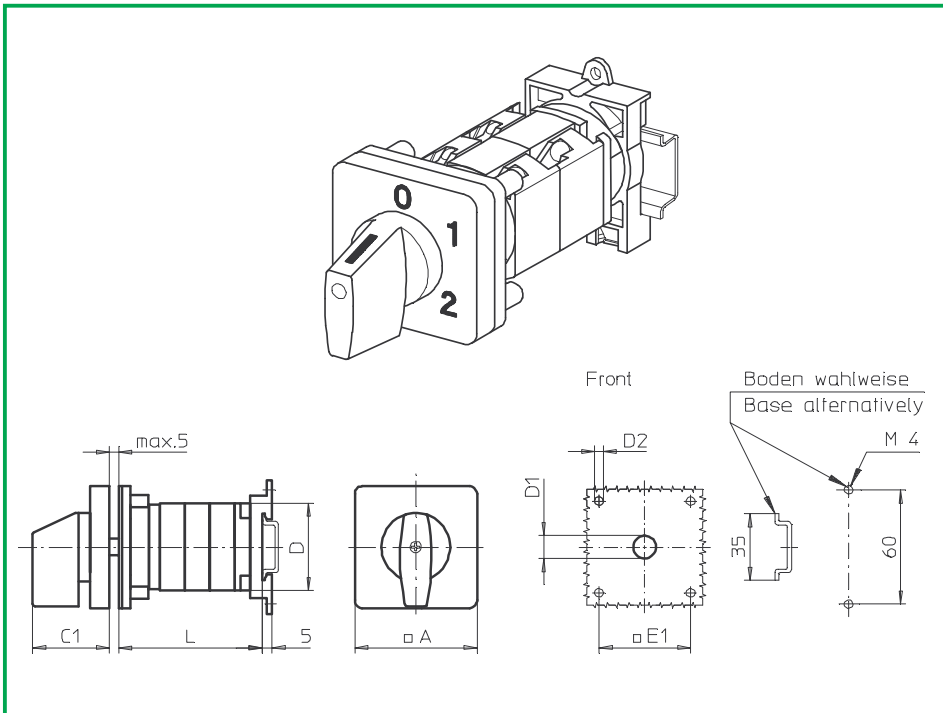
Base mounting switch

**Base/snap on
mounting**

**Front mounting
Four hole mounting**

48 x 48 mm front

022M1 (IP66)



Complete switch	Poles	Product line	Rated data (IEC 60947)			Order code number
			Operational current I _e	Operational power at 380–440 V		
			AC-21A A	AC-23A kW	AC-3 kW	
Rotary Cam Switches Switching angle 30°/45°/60°/90°	1 ... 24	P200	20 25	7,5 11	5,5 7,5	P220 - 61 ... - 022M1 P225 - 61 ... - 022M1

SMD modules for basic switch A02			
Mounting form module for 022M1		P200	BFA2 - 022
M-operator module 64 x 64 mm, mounting form 022M1			4AM1
Escutcheon black, handle black			
Legend plate silver, operator module 022M1			FAS4 - (FA number)

Dimensions (mm)														
Type	A	C1	D	D1	D2	E	L with ... stages (max. 12)				5	6	7	each add. stage
							1	2	3	4				
P220	64	39	44	15	5	48	50	63	76	89	102	115	128	13
P221	64	39	44	15	5	48	53,5	70	86,5	103	119,5	136	152,5	16,5
P225	64	39	46	15	5	48	54	69	84	99	114	129	144	15
P226	64	39	46	15	5	48	57,5	76	94,5	113	131,5	150	168,5	18,5

Base Mounting Switches

sälzer

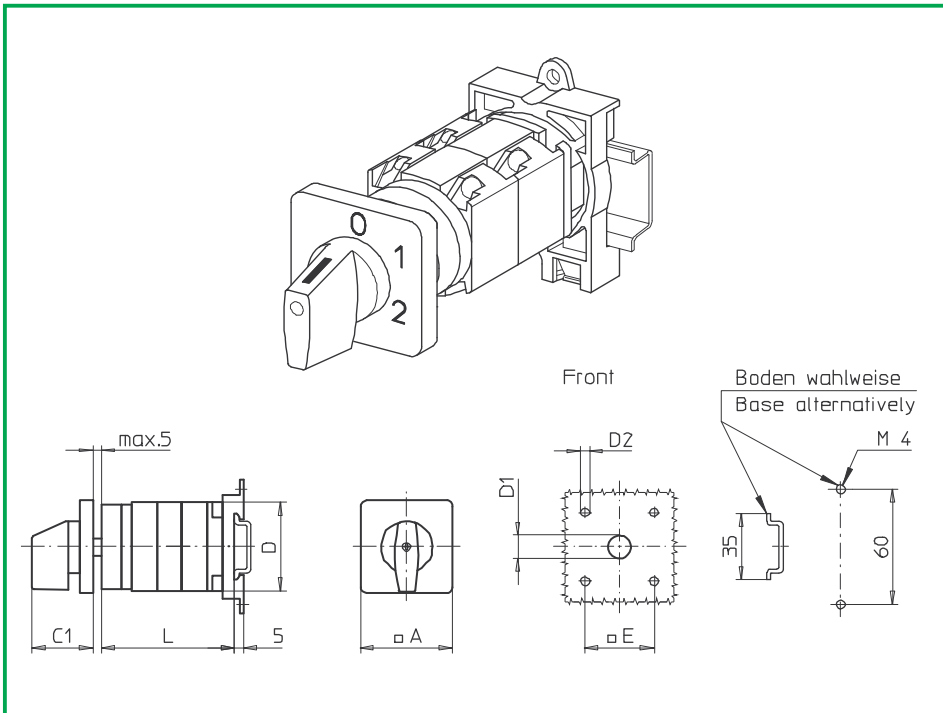
**Product line
P200**

Base mounting switch

**Base/snap on
mounting**

M-operator module
Escutcheon 48 x 48 mm

157M1 (IP40)



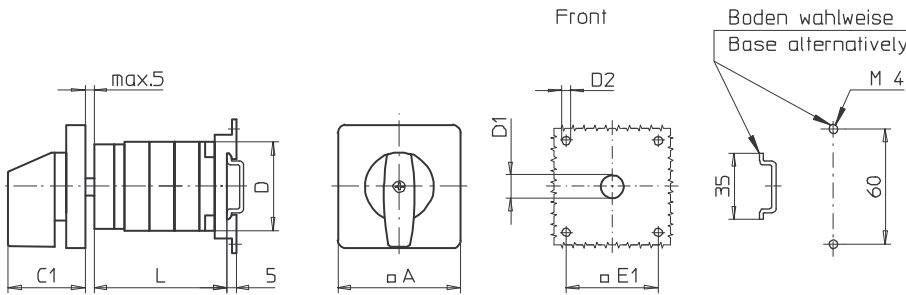
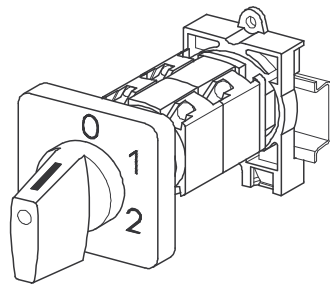
Complete switch	Poles	Product line	Rated data (IEC 60947)			Order code number
			Operational current I_e	Operational power at 380–440 V		
			AC-21A A	AC-23A kW	AC-3 kW	
Rotary Cam Switches Switching angle 30°/45°/60°/90°	1 ... 24	P200	20 25	7,5 11	5,5 7,5	P220 - 61 ... - 157M1 P225 - 61 ... - 157M1

SMD modules for basic switch A02			
Mounting form module for 157M1		P200	BFA2 - 157
M-operator module 48 x 48 mm, mounting form 157M1			2AM1
Escutcheon black, handle black			
Legend plate silver, operator module 157M1			FAS2 - (FA number)

Dimensions (mm)														
Type	A	C1	D	D1	D2	E	L with ... stages (max. 12)							each add. stage
							1	2	3	4	5	6	7	
P220	48	32	44	12	4,5	36	48	61	74	87	100	113	126	13
P221	48	32	44	12	4,5	36	51,5	68	84,5	101	117,5	134	150,5	16,5
P225	48	32	46	12	4,5	36	52	67	82	97	112	127	142	15
P226	48	32	46	12	4,5	36	55,5	74	92,5	111	129,5	148	166,5	18,5

Base Mounting Switches

sälzer



**Product line
P200**

Base mounting switch
Operator module of next size

**Base/snap on
mounting**

M-operator module
Escutcheon 64 x 64 mm

158M1 (IP40)

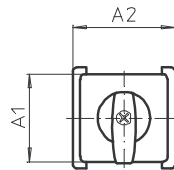
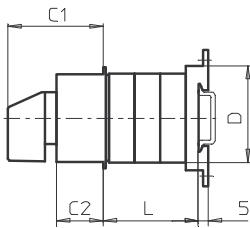
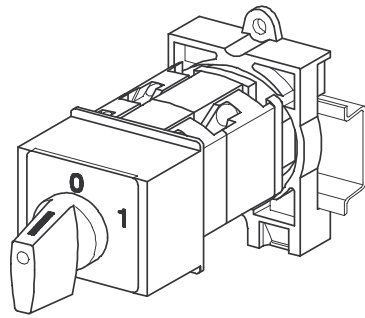
Complete switch	Poles	Product line	Rated data (IEC 60947)			Order code number
			Operational current I _e	Operational power at 380–440 V		
			AC-21A A	AC-23A kW	AC-3 kW	
Rotary Cam Switches Switching angle 30°/45°/60°/90°	1 ... 24	P200	20 25	7,5 11	5,5 7,5	P220 - 61 ... - 158M1 P225 - 61 ... - 158M1

SMD modules for basic switch A02			
Mounting form module for 158M1		P200	BFA2 - 158
M-operator module 48 x 48 mm, mounting form 158M1			4AM1
Escutcheon black, handle black			
Legend plate silver, operator module 158M1			FAS4 - (FA number)

Dimensions (mm)														
Type	A	C1	D	D1	D2	E	L with ... stages (max. 12)							each add. stage
							1	2	3	4	5	6	7	
P220	64	39	44	12	4,5	48	48	61	74	87	100	113	126	13
P221	64	39	44	12	4,5	48	51,5	68	84,5	101	117,5	134	150,5	16,5
P225	64	39	46	12	4,5	48	52	67	82	97	112	127	142	15
P226	64	39	46	12	4,5	48	55,5	74	92,5	111	129,5	148	166,5	18,5

Base Mounting Switches

sälzer



Product line
P200

Base mounting switch

Base/front mounting

DIN rail
with cover plate
45 mm aperture

026M1

Complete switch	Poles	Product line	Rated data (IEC 60947)			Order code number
			Operational current I _e	Operational power at 380–440 V		
			AC-21A A	AC-23A kW	AC-3 kW	
Rotary Cam Switches Switching angle 30°/45°/60°/90°	1 ... 24	P200	20 25	7,5 11	5,5 7,5	P220 - 61 ... - 026M1 P225 - 61 ... - 026M1

SMD modules for basic switch A02

Mounting form/operator module grey,
With M-handle black, mounting form 026M1

Legend plate silver, mounting form/operator module 026M1

P200

BFC2 - 026M1

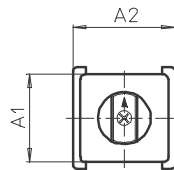
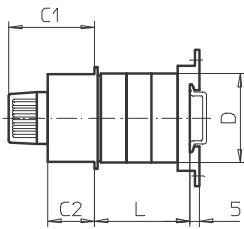
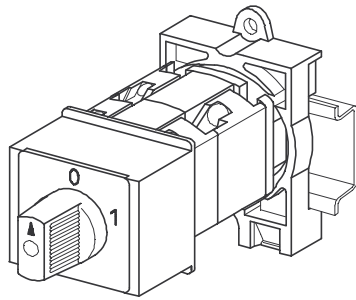
FAV2 - (FA number)

Dimensions (mm)

Type	A1	A2	C1	C2	D	L with ... stages (max. 12)							each add. stage
						1	2	3	4	5	6	7	
P220	45	52,5	50	24	44	28	41	54	67	80	93	106	13
P221	45	52,5	50	24	44	31,5	48	64,5	81	97,5	114	130,5	16,5
P225	45	52,5	50	24	46	30	45	60	75	90	105	120	15
P226	45	52,5	50	24	46	33,5	52	70,5	89	107,5	126	144,5	18,5

Base Mounting Switches

sälzer



**Product line
P200**

Base mounting switch

Base/front mounting

DIN rail
with cover plate
45 mm aperture

026N2

Complete switch	Poles	Product line	Rated data (IEC 60947)			Order code number
			Operational current I _e	Operational power at 380–440 V		
			AC-21A A	AC-23A kW	AC-3 kW	
Rotary Cam Switches Switching angle 30°/45°/60°/90°	1 ... 24	P200	20 25	7,5 11	5,5 7,5	P220 - 61 ... - 026N2 P225 - 61 ... - 026N2

SMD modules for basic switch A02

Mounting form/operator module grey
with N-handle grey, mounting form 026N2
Legend plate silver, mounting form/operator module 026N2

P200

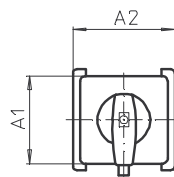
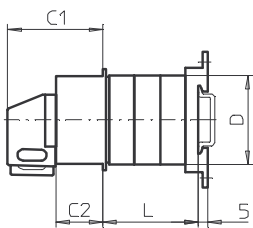
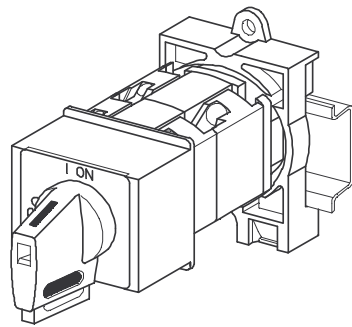
BFC2 - 026N2
FAV2 - (FA number)

Dimensions (mm)

Type	A1	A2	C1	C2	D	L with ... stages (max. 12)							each add. stage
						1	2	3	4	5	6	7	
P220	45	52,5	45	24	44	28	41	54	67	80	93	106	13
P221	45	52,5	45	24	44	31,5	48	64,5	81	97,5	114	130,5	16,5
P225	45	52,5	45	24	46	30	45	60	75	90	105	120	15
P226	45	52,5	45	24	46	33,5	52	70,5	89	107,5	126	144,5	18,5

Base Mounting Switches

sälzer



Product line
P200

Base mounting switch

Base/front mounting

DIN rail
with cover plate
45 mm aperture

026V1
026V4

Complete switch	Poles	Product line	Rated data (IEC 60947)			Order code number
			Operational current I _e	Operational power at 380–440 V		
			AC-21A A	AC-23A kW	AC-3 kW	
Main Switches Switching angle 90° OFF position padlockable 09h	1 ... 24	P200	20	7,5	5,5	P220 - 61 ... - 026V1
			25	11	7,5	P225 - 61 ... - 026V1
Main/Emergency-Off Switches Switching angle 90° OFF position padlockable 09h	1 ... 24	P200	20	7,5	5,5	P220 - 61 ... - 026V4
			25	11	7,5	P225 - 61 ... - 026V4

SMD modules for basic switch A02

Mounting form/operator module grey with V-handle black, mounting form 026V1
Legend plate silver, mounting form/operator module 026V1
Mounting form/operator module grey with V-handle red, mounting form 026V4
Legend plate yellow, mounting form/operator module 026V4

P200

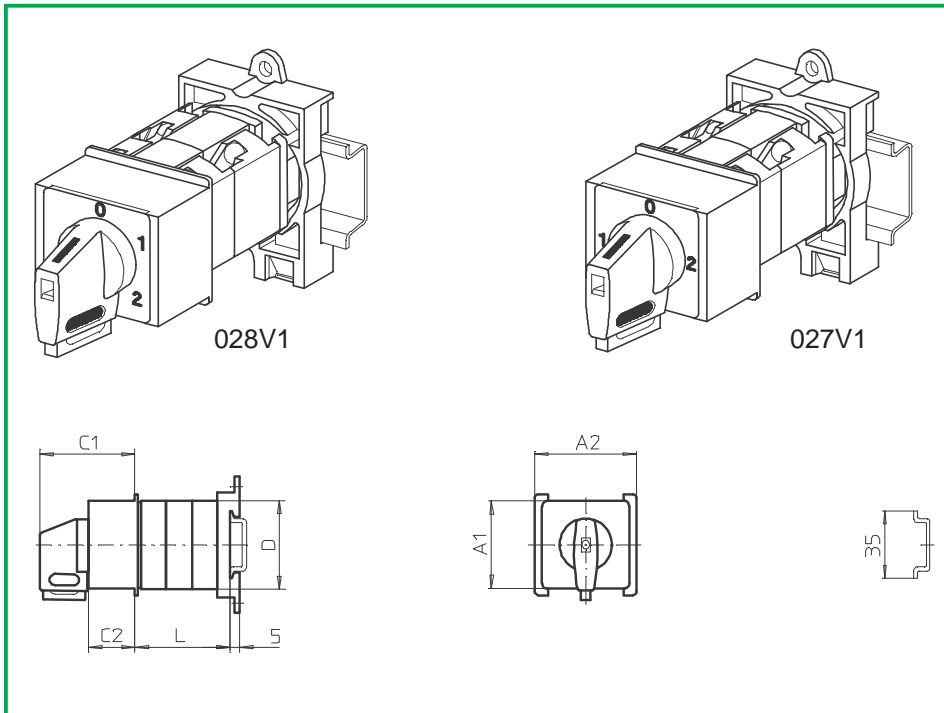
BFC2 - 026V1
FAV2 - (FA number)
BFC2 - 026V4
FBV2 - (FA number)

Dimensions (mm)

Type	A1	A2	C1	C2	D	L with ... stages (max. 12)							each add. stage
						1	2	3	4	5	6	7	
P220	45	52,5	50	24	44	28	41	54	67	80	93	106	13
P221	45	52,5	50	24	44	31,5	48	64,5	81	97,5	114	130,5	16,5
P225	45	52,5	50	24	46	30	45	60	75	90	105	120	15
P226	45	52,5	50	24	46	33,5	52	70,5	89	107,5	126	144,5	18,5

Base Mounting Switches

sälzer



**Product line
P200**

Base mounting switch

Base/front mounting

DIN rail
with cover plate
45 mm aperture

**028V1
027V1**

Complete switch	Poles	Product line	Rated data (IEC 60947)			Order code number
			Operational current I_e	Operational power at 380–440 V		
			AC-21A A	AC-23A kW	AC-3 kW	
Rotary Cam Switches Switching angle 30°/45°/60°/90° Padlockable 12h	1 ... 24	P200	20	7,5	5,5	P220 - 61 ... - 028V1
			25	11	7,5	P225 - 61 ... - 028V1
Rotary Cam Switches Switching angle 90° 3 positions padlockable (09h/12h/03h)	1 ... 24	P200	20	7,5	5,5	P220 - 61 ... - 027V1
			25	11	7,5	P225 - 61 ... - 027V1

SMD modules for basic switch A02

Mounting form/operator module grey with V-handle black, mounting form 028V1

P200

BFB2 - 028V1

BFB2 - 027V1

Mounting form/operator module grey with V-handle black, mounting form 027V1

FAV2 - (FA number)

Legend plate silver, mounting form/operator module 026V1/ 027V1

Dimensions (mm)

Type	A1	A2	C1	C2	D	L with ... stages (max. 12)							each add. stage
						1	2	3	4	5	6	7	
P220	45	52,5	50	24	44	28	41	54	67	80	93	106	13
P221	45	52,5	50	24	44	31,5	48	64,5	81	97,5	114	130,5	16,5
P225	45	52,5	50	24	46	30	45	60	75	90	105	120	15
P226	45	52,5	50	24	46	33,5	52	70,5	89	107,5	126	144,5	18,5

Base Mounting Switches

sälzer

Product line
P200

Base mounting switch

Door clutch

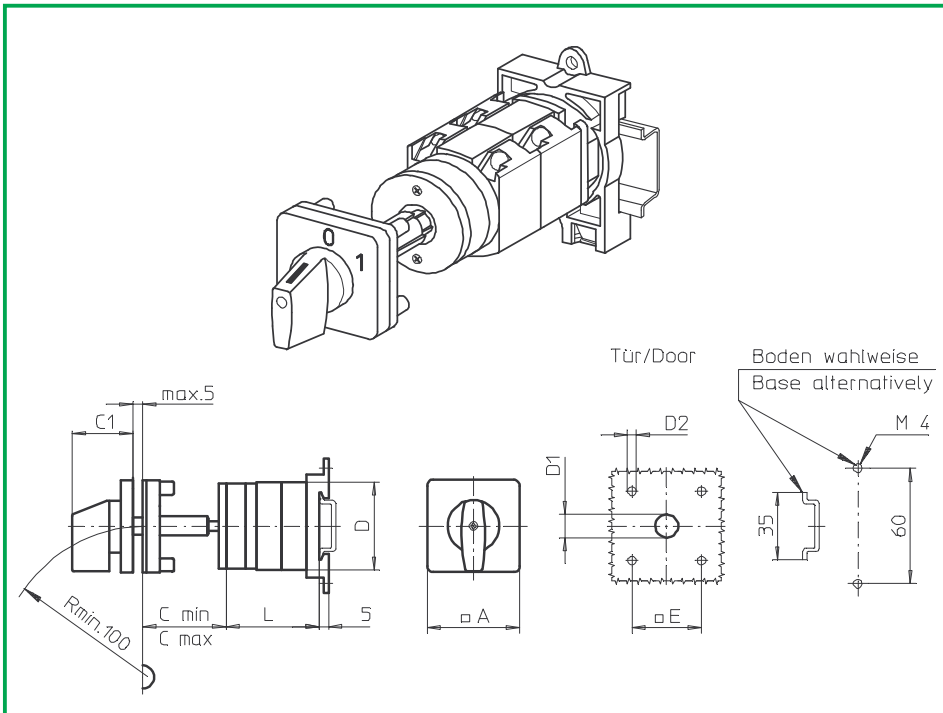
Modular shaft extension

Four hole mounting

36 x 36 mm front

Snap on mounting base plate

241M1 (IP66)



Complete switch	Poles	Product line	Rated data (IEC 60947)			Order code number
			Operational current I _e	Operational power at 380–440 V		
			AC-21A A	AC-23A kW	AC-3 kW	
Rotary Cam Switches Switching angle 30°/45°/60°/90°	1 ... 24	P200	20 25	7,5 11	5,5 7,5	P220 - 61 ... - 241M1 P225 - 61 ... - 241M1

SMD modules for basic switch A02

Mounting form module for 241M1

P200

BFB2 - 241

M-operator module 48 x 48 mm, mounting form 241M1

2AM1

Escutcheon black, handle black

Legend plate silver, operator module 241M1

FAS2 - (FA number)

Dimensions (mm)

Type	A	Cmin	Cmax	C1	D	D1	D2	E	L with ... stages (max. 12)				each add. stage
									1	2	3	4	
P220	48	42	59	32	44	12	4,5	36	40	53	66	79	13
P221	48	42	59	32	44	12	4,5	36	43,5	60	76,5	93	16,5
P225	48	42	59	32	46	12	4,5	36	42	57	72	87	15
P226	48	42	59	32	46	12	4,5	36	45,5	64	82,5	101	18,5

Base Mounting Switches

sälzer

**Product line
P200**

Base mounting switch

Door clutch

Modular shaft extension

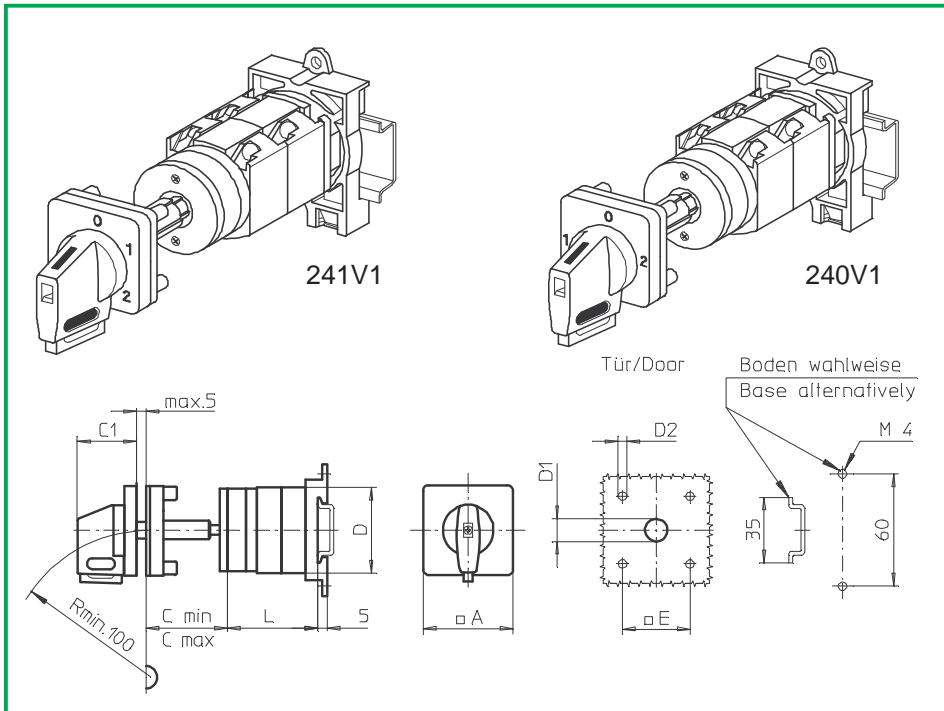
Four hole mounting

36 x 36 mm front

Snap on mounting base plate

241V1 (IP66)

240V1 (IP66)



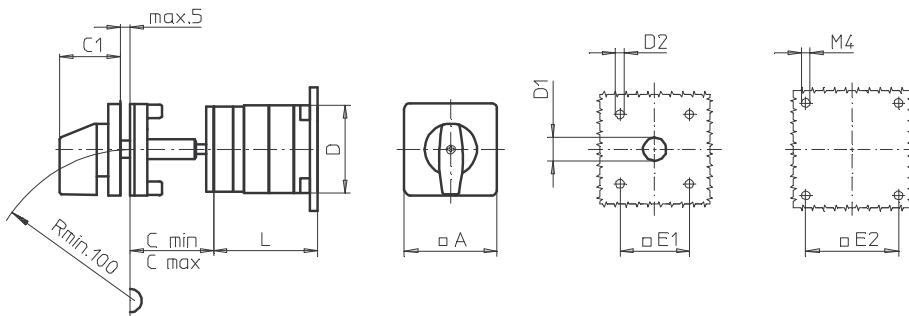
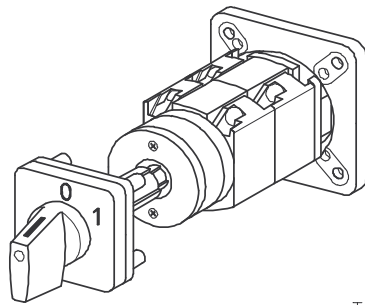
Complete switch	Poles	Product line	Rated data (IEC 60947)			Order code number
			Operational current I _e	Operational power at 380–440 V		
			AC-21A A	AC-23A kW	AC-3 kW	
Rotary Cam Switches Switching angle 30°/45°/60°/90° Padlockable 12h	1 ... 24	P200	20 25	7,5 11	5,5 7,5	P220 - 61 ... - 241V1 P225 - 61 ... - 241V1
Rotary Cam Switches Switching angle 90° 3 positions padlockable (09h/12h/03h)	1 ... 24	P200	20 25	7,5 11	5,5 7,5	P220 - 61 ... - 240V1 P225 - 61 ... - 240V1

SMD modules for basic switch A02			
Mounting form module for 241V1/ 240V1		P200	BFB2 - 241
V-operator module 48 x 48 mm, mounting form 241V1 Escutcheon black, handle black			2AV1 - 12
V-operator module 48 x 48 mm, mounting form 240V1 Escutcheon black, handle black			2AV1 - 99
Legend plate silver, operator module 241V1/ 240V1			FAS2 - (FA number)

Dimensions (mm)													
Type	A	C _{min}	C _{max}	C1	D	D1	D2	E	L with ... stages (max. 12)				each add. stage
									1	2	3	4	
P220	48	42	59	32	44	12	4,5	36	40	53	66	79	13
P221	48	42	59	32	44	12	4,5	36	43,5	60	76,5	93	16,5
P225	48	42	59	32	46	12	4,5	36	42	57	72	87	15
P226	48	42	59	32	46	12	4,5	36	45,5	64	82,5	101	18,5

Base Mounting Switches

sälzer



Product line
P200

Base mounting switch

Door clutch
Modular shaft extension

Four hole mounting
36 x 36 mm front
48 x 48 mm base

041M1 (IP66)

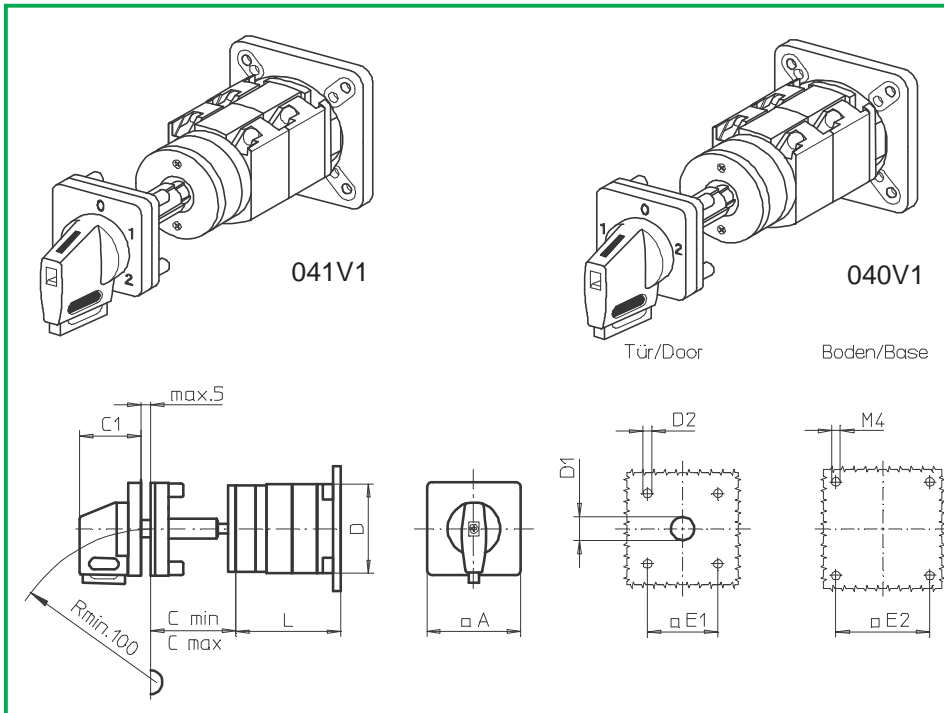
Complete switch	Poles	Product line	Rated data (IEC 60947)			Order code number
			Operational current I _e	Operational power at 380–440 V		
			AC-21A A	AC-23A kW	AC-3 kW	
Rotary Cam Switches Switching angle 30°/45°/60°/90°	1 ... 24	P200	20 25	7,5 11	5,5 7,5	P220 - 61 ... - 041M1 P225 - 61 ... - 041M1

SMD modules for basic switch A02			
Mounting form module for 041M1		P200	BFB2 - 041
M-operator module 48 x 48 mm, mounting form 041M1			2AM1
Escutcheon black, handle black			
Legend plate silver, operator module 041M1			FAS2 - (FA number)

Dimensions (mm)											L with ... stages (max. 12) each add.			
Type	A	Cmin	Cmax	C1	D	D1	D2	E1	E2		1	2	3	stage
P220	48	42	59	32	44	12	4,5	36	48		41	54	67	13
P221	48	42	59	32	44	12	4,5	36	48		44,5	61	77,5	16,5
P225	48	42	59	32	46	12	4,5	36	48		43	58	73	15
P226	48	42	59	32	46	12	4,5	36	48		46,5	65	83,5	18,5

Base Mounting Switches

sälzer



Product line
P200

Base mounting switch

Door clutch
Modular shaft extension

Four hole mounting
36 x 36 mm front
48 x 48 mm base

041V1 (IP66)
040V1 (IP66)

Complete switch	Poles	Product line	Rated data (IEC 60947)			Order code number
			Operational current I _e	Operational power at 380–440 V		
			AC-21A A	AC-23A kW	AC-3 kW	
Rotary Cam Switches Switching angle 30°/45°/60°/90° Padlockable 12h	1 ... 24	P200	20 25	7,5 11	5,5 7,5	P220 - 61 ... - 041V1 P225 - 61 ... - 041V1
Rotary Cam Switches Switching angle 90° 3 positions padlockable (09h/12h/03h)	1 ... 24	P200	20 25	7,5 11	5,5 7,5	P220 - 61 ... - 040V1 P225 - 61 ... - 040V1

SMD modules for basic switch A02

Mounting form module for 041V1/ 040V1	P200	BFB2 - 041
V-operator module 48 x 48 mm, mounting form 041V1 Escutcheon black, handle black		2AV1 - 12
V-operator module 48 x 48 mm, mounting form 040V1 Escutcheon black, handle black		2AV1 - 99
Legend plate silver, operator module 041V1/ 040V1		FAS2 - (FA number)

Dimensions (mm)

Type	A	Cmin	Cmax	C1	D	D1	D2	E1	E2	L with ... stages (max. 12) each add.			
										1	2	3	stage
P220	48	42	59	32	44	12	4,5	36	48	41	54	67	13
P221	48	42	59	32	44	12	4,5	36	48	44,5	61	77,5	16,5
P225	48	42	59	32	46	12	4,5	36	48	43	58	73	15
P226	48	42	59	32	46	12	4,5	36	48	46,5	65	83,5	18,5

Base Mounting Switches

sälzer

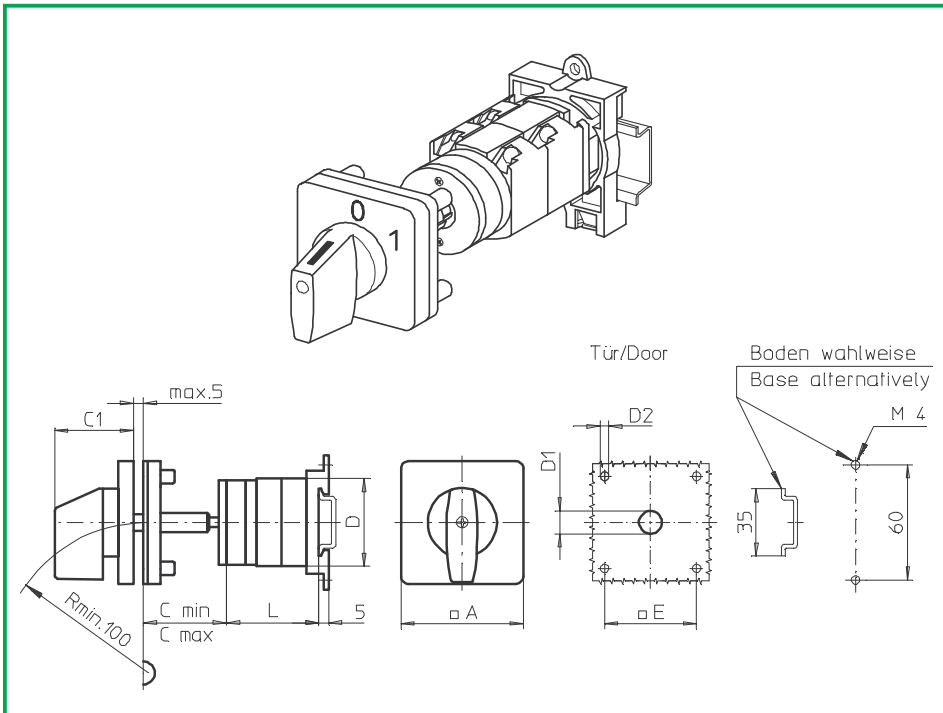
**Product line
P200**

Base mounting switch
operator module of next size

Door clutch
Modular shaft extension

Four hole mounting
48 x 48 mm front
Snap on mounting base plate

247M1 (IP66)



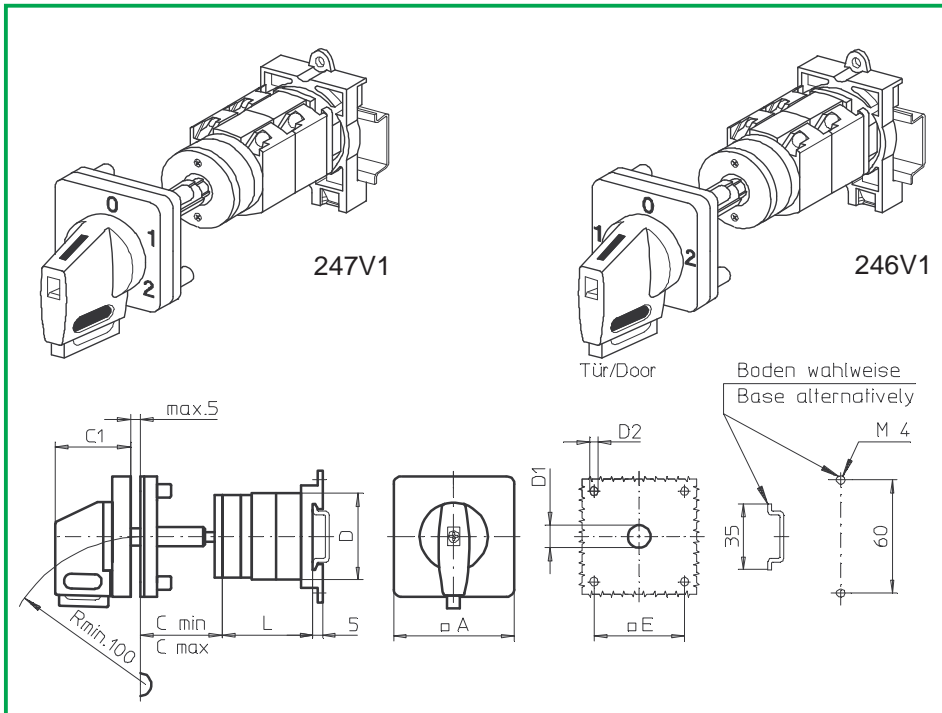
Complete switch	Poles	Product line	Rated data (IEC 60947)			Order code number
			Operational current I _e	Operational power at 380–440 V		
			AC-21A A	AC-23A kW	AC-3 kW	
Rotary Cam Switches Switching angle 30°/45°/60°/90°	1 ... 24	P200	20 25	7,5 11	5,5 7,5	P220 - 61 ... - 247M1 P225 - 61 ... - 247M1

SMD modules for basic switch A02			
Mounting form module for 247M1		P200	BFC2 - 247
M-operator module 64 x 64 mm, mounting form 247M1			4AM1
Escutcheon black, handle black			
Legend plate silver, operator module 247M1			FAS4 - (FA number)

Dimensions (mm)													
Type	A	C _{min}	C _{max}	C1	D	D1	D2	E	L with ... stages (max. 12)				each add. stage
									1	2	3	4	
P220	64	42	59	39	44	15	5	48	40	53	66	79	13
P221	64	42	59	39	44	15	5	48	43,5	60	76,5	93	16,5
P225	64	42	59	39	46	15	5	48	42	57	72	87	15
P226	64	42	59	39	46	15	5	48	45,5	64	82,5	101	18,5

Base Mounting Switches

sälzer



**Product line
P200**

Base mounting switch
operator module of next size

Door clutch
Modular shaft extension

Four hole mounting
48 x 48 mm front
Snap on mounting base plate

247V1 (IP66)

246V1 (IP66)

Complete switch	Poles	Product line	Rated data (IEC 60947)			Order code number
			Operational current I _e	Operational power at 380–440 V		
			AC-21A A	AC-23A kW	AC-3 kW	
Rotary Cam Switches Switching angle 30°/45°/60°/90° Padlockable 12h	1 ... 24	P200	20 25	7,5 11	5,5 7,5	P220 - 61 ... - 247V1 P225 - 61 ... - 247V1
Rotary Cam Switches Switching angle 90° 3 positions padlockable (09h/12h/03h)	1 ... 24	P200	20 25	7,5 11	5,5 7,5	P220 - 61 ... - 246V1 P225 - 61 ... - 246V1

SMD modules for basic switch A02

Mounting form module for 247V1/ 246V1

P200

BFC2 - 247

V-operator module 64 x 64 mm, mounting form 247V1
Escutcheon black, handle black

4AV1 - 12

V-operator module 64 x 64 mm, mounting form 246V1
Escutcheon black, handle black

4AV1 - 99

Legend plate silver, operator module 247V1/ 246V1

FAS4 - (FA number)

Dimensions (mm)

Type	A	C _{min}	C _{max}	C ₁	D	D ₁	D ₂	E	L with ... stages (max. 12)				each add. stage
									1	2	3	4	
P220	64	42	59	39	44	15	5	48	40	53	66	79	13
P221	64	42	59	39	44	15	5	48	43,5	60	76,5	93	16,5
P225	64	42	59	39	46	15	5	48	42	57	72	87	15
P226	64	42	59	39	46	15	5	48	45,5	64	82,5	101	18,5

Base Mounting Switches

sälzer

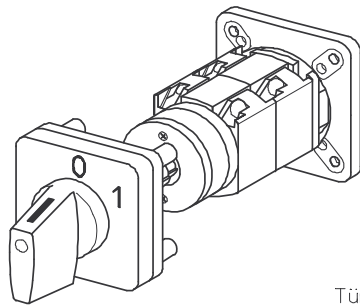
**Product line
P200**

Base mounting switch
operator module of next size

Door clutch
Modular shaft extension

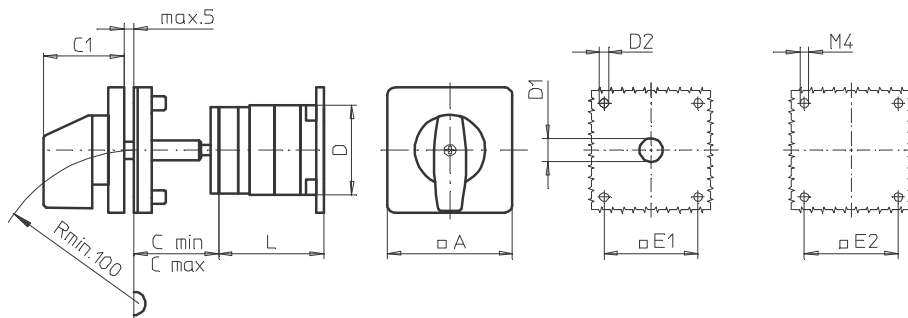
Four hole mounting
48 x 48 mm front
48 x 48 mm base

047M1 (IP66)



Tür/Door

Boden/Base



Complete switch	Poles	Product line	Rated data (IEC 60947)			Order code number
			Operational current I _e	Operational power at 380–440 V		
			AC-21A A	AC-23A kW	AC-3 kW	
Rotary Cam Switches Switching angle 30°/45°/60°/90°	1 ... 24	P200	20 25	7,5 11	5,5 7,5	P220 - 61 ... - 047M1 P225 - 61 ... - 047M1

SMD modules for basic switch A02

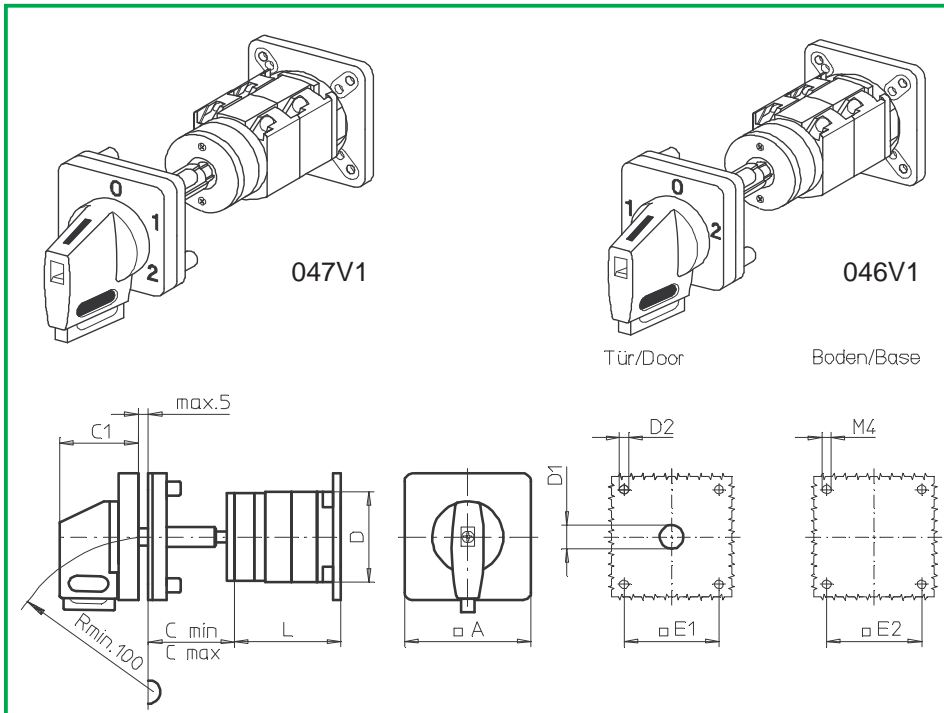
Mounting form module for 047M1	P200	BFC2 - 047
M-operator module 64 x 64 mm, mounting form 047M1		4AM1
Escutcheon black, handle black		
Legend plate silver, operator module 047M1		FAS4 - (FA number)

Dimensions (mm)

Type	A	C _{min}	C _{max}	C1	D	D1	D2	E1	E2	L with ... stages (max. 12) each add.			
										1	2	3	stage
P220	64	42	59	39	44	15	5	48	48	41	54	67	13
P221	64	42	59	39	44	15	5	48	48	44,5	61	77,5	16,5
P225	64	42	59	39	46	15	5	48	48	43	58	73	15
P226	64	42	59	39	46	15	5	48	48	46,5	65	83,5	18,5

Base Mounting Switches

sälzer



Product line
P200

Base mounting switch
operator module of next size

Door clutch
Modular shaft extension

Four hole mounting
48 x 48 mm front
48 x 48 mm base

047V1 (IP66)

046V1 (IP66)

Complete switch	Poles	Product line	Rated data (IEC 60947)			Order code number
			Operational current I _e	Operational power at 380–440 V		
			AC-21A A	AC-23A kW	AC-3 kW	
Rotary Cam Switches Switching angle 30°/45°/60°/90° Padlockable 12h	1 ... 24	P200	20 25	7,5 11	5,5 7,5	P220 - 61 ... - 047V1 P225 - 61 ... - 047V1
Rotary Cam Switches Switching angle 90° 3 positions padlockable (09h/12h/03h)	1 ... 24	P200	20 25	7,5 11	5,5 7,5	P220 - 61 ... - 046V1 P225 - 61 ... - 046V1

SMD modules for basic switch A02

Mounting form module for 047V1/ 046V1

P200

BFC2 -047

V-operator module 64 x 64 mm, mounting form 047V1
Escutcheon black, handle black

4AV1 - 12

V-operator module 64 x 64 mm, mounting form 046V1
Escutcheon black, handle black

4AV1 - 99

Legend plate silver, operator module 047V1/ 046V1

FAS4 - (FA number)

Dimensions (mm)

Type	A	C _{min}	C _{max}	C1	D	D1	D2	E1	E2	L with ... stages (max. 12) each add.			
										1	2	3	stage
P220	64	42	59	39	44	15	5	48	48	41	54	67	13
P221	64	42	59	39	44	15	5	48	48	44,5	61	77,5	16,5
P225	64	42	59	39	46	15	5	48	48	43	58	73	15
P226	64	42	59	39	46	15	5	48	48	46,5	65	83,5	18,5

Base Mounting Switches

sälzer

Product line
P200

Base mounting switch

Door clutch

Modular shaft extension

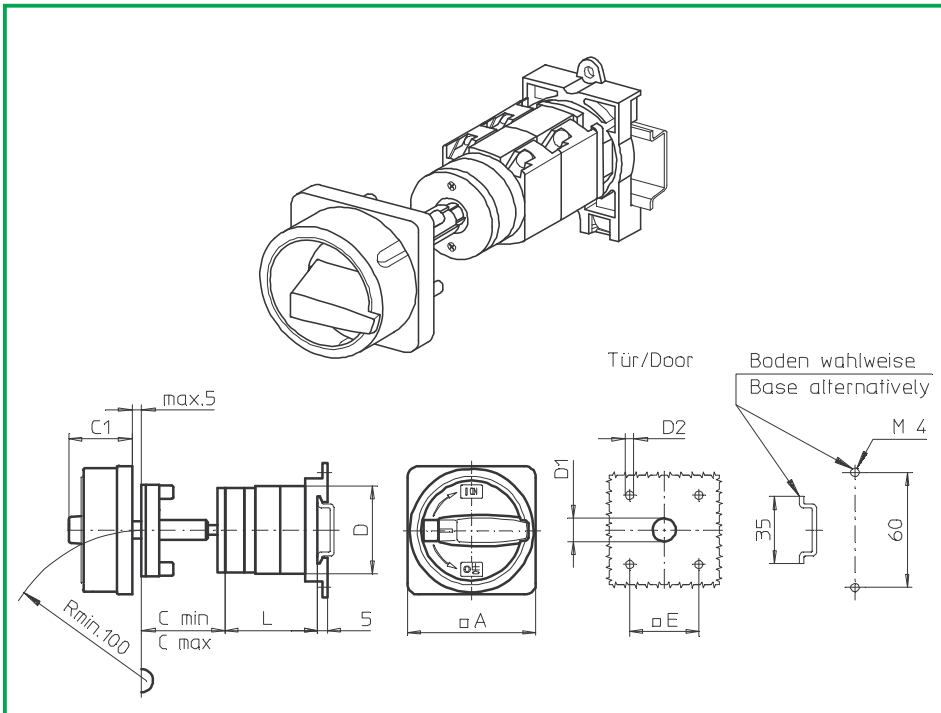
Four hole mounting

36 x 36 mm front

Snap on mounting base plate

232M1 (IP66)

232M4 (IP66)



Complete switch	Poles	Product line	Rated data (IEC 60947)			Order code number
			Operational current I _e	Operational power at 380–440 V		
			AC-21A A	AC-23A kW	AC-3 kW	
Main Switches Switching angle 90° OFF position padlockable 09h	1 ... 24	P200	20	7,5	5,5	P220 - 61 ... - 232M1
			25	11	7,5	P225 - 61 ... - 232M1
Main/Emergency-Off Switches Switching angle 90° OFF position padlockable 09h	1 ... 24	P200	20	7,5	5,5	P220 - 61 ... - 232M4
			25	11	7,5	P225 - 61 ... - 232M4

SMD modules for basic switch A02

Mounting form module for 232M.

P200

BFC2 - 232

M-padlock device 67 x 67 mm, mounting form 232M1
Escutcheon black, padlockable handle black

2CM1

M-padlock device 67 x 67 mm, mounting form 232M4
Escutcheon yellow, padlockable handle red

2CM4

Dimensions (mm)

Type	A	C _{min}	C _{max}	C ₁	D	D ₁	D ₂	E	L with ... stages (max. 12)				each add. stage
									1	2	3	4	
P220	67	42	59	38	44	15	4,5	36	40	53	66	79	13
P221	67	42	59	38	44	15	4,5	36	43,5	60	76,5	93	16,5
P225	67	42	59	38	46	15	4,5	36	42	57	72	87	15
P226	67	42	59	38	46	15	4,5	36	45,5	64	82,5	101	18,5

Base Mounting Switches

sälzer

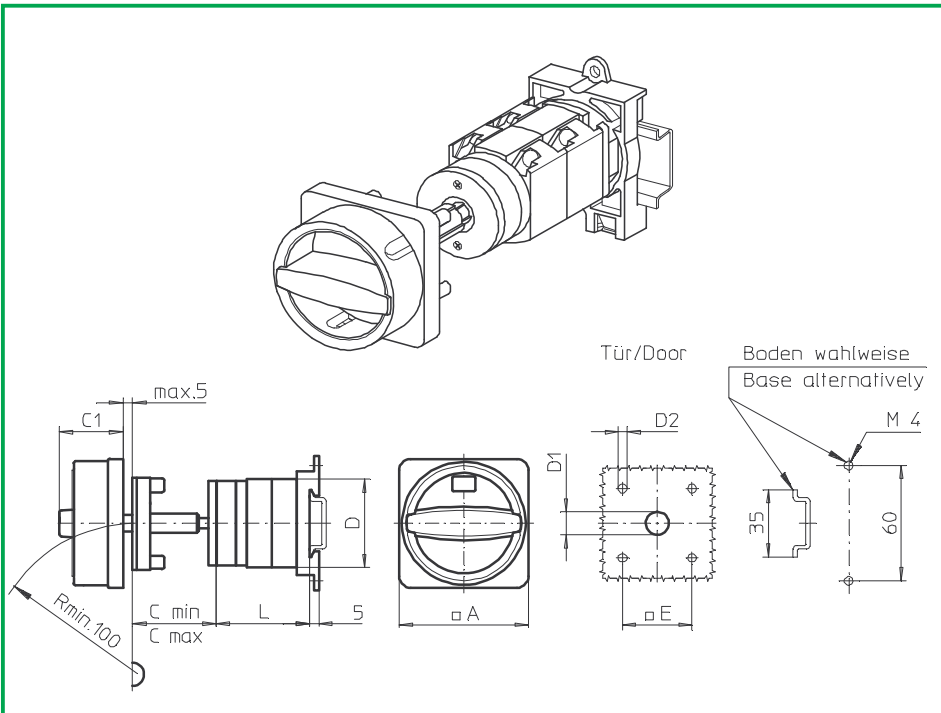
Product line
P200

Base mounting switch

Door clutch
Modular shaft extension

Four hole mounting
36 x 36 mm front
Snap on mounting base plate

232N1 (IP66)
232N4 (IP66)



Complete switch	Poles	Product line	Rated data (IEC 60947)			Order code number							
			Operational current I _e	Operational power at 380–440 V									
			AC-21A A	AC-23A kW	AC-3 kW								
Main Switches Switching angle 90° OFF position padlockable 09h	1 ... 24	P200	20 25	7,5 11	5,5 7,5	P220 - 61 ... - 232N1 P225 - 61 ... - 232N1							
Main/Emergency-Off Switches Switching angle 90° OFF position padlockable 09h	1 ... 24	P200	20 25	7,5 11	5,5 7,5	P220 - 61 ... - 232N4 P225 - 61 ... - 232N4							
SMD modules for basic switch A02													
Mounting form module for 232N.			P200			BFC2 - 232							
N-padlock device 67 x 67 mm, mounting form 232N1 Escutcheon black, padlockable handle black						2CN1							
N-padlock device 67 x 67 mm, mounting form 232N4 Escutcheon yellow, padlockable handle red						2CN4							
Dimensions (mm)													
Type	A	C_{min}	C_{max}	C1	D	D1	D2	E	L with ... stages (max. 12)				each add. stage
P220	67	42	59	33	44	15	4,5	36	1	2	3	4	13
P221	67	42	59	33	44	15	4,5	36	43,5	60	76,5	93	16,5
P225	67	42	59	33	46	15	4,5	36	42	57	72	87	15
P226	67	42	59	33	46	15	4,5	36	45,5	64	82,5	101	18,5

Base Mounting Switches

sälzer

Product line
P200

Base mounting switch

Door clutch

Modular shaft extension

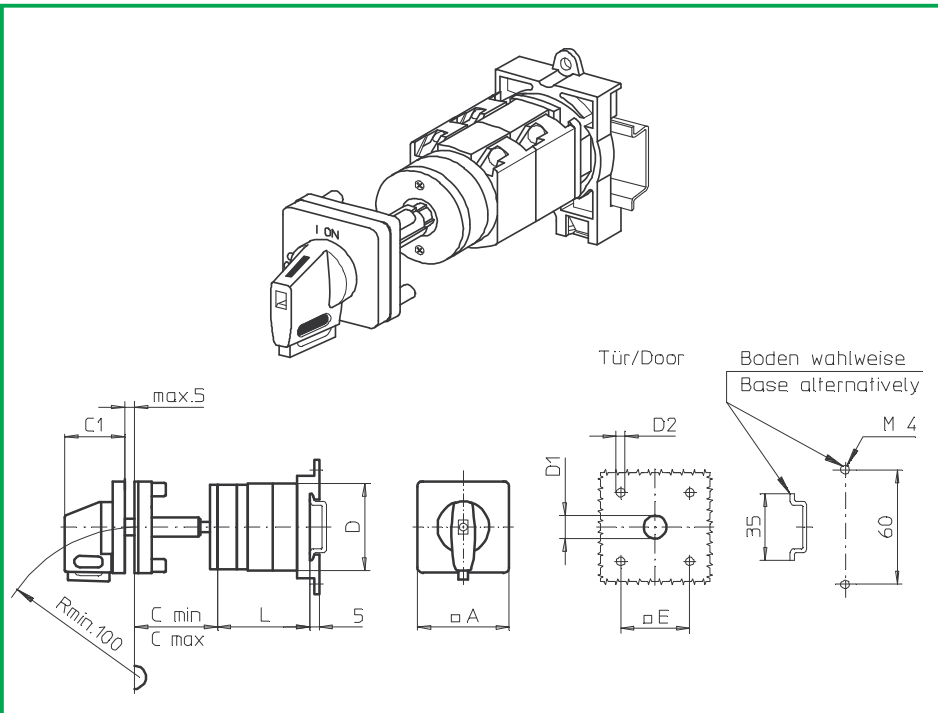
Four hole mounting

36 x 36 mm front

Snap on mounting base plate

232V1 (IP66)

232V4 (IP66)



Complete switch	Poles	Product line	Rated data (IEC 60947)			Order code number
			Operational current I _e	Operational power at 380–440 V		
			AC-21A A	AC-23A kW	AC-3 kW	
Main Switches Switching angle 90° OFF position padlockable 09h	1 ... 24	P200	20	7,5	5,5	P220 - 61 ... - 232V1
			25	11	7,5	P225 - 61 ... - 232V1
Main/Emergency-Off Switches Switching angle 90° OFF position padlockable 09h	1 ... 24	P200	20	7,5	5,5	P220 - 61 ... - 232V4
			25	11	7,5	P225 - 61 ... - 232V4

SMD modules for basic switch A02

Mounting form module for 232V.

P200

BFB2 - 241

V-operator module 48 x 48 mm, mounting form 232V1
Escutcheon black, handle black

2AV1 - 09

Legend plate silver, operator module 232V1

FAS2 - 9078

V-operator module 48 x 48 mm, mounting form 232V4
Escutcheon black, handle red

2AV4 - 09

Legend plate yellow, operator module 232V4

FBS2 - 9078

Dimensions (mm)

Type	A	C _{min}	C _{max}	C ₁	D	D ₁	D ₂	E	L with ... stages (max. 12)				each add. stage
									1	2	3	4	
P220	48	42	59	32	44	12	4,5	36	40	53	66	79	13
P221	48	42	59	32	44	12	4,5	36	43,5	60	76,5	93	16,5
P225	48	42	59	32	46	12	4,5	36	42	57	72	87	15
P226	48	42	59	32	46	12	4,5	36	45,5	64	82,5	101	18,5

Base Mounting Switches

sälzer

Product line
P200

Base mounting switch

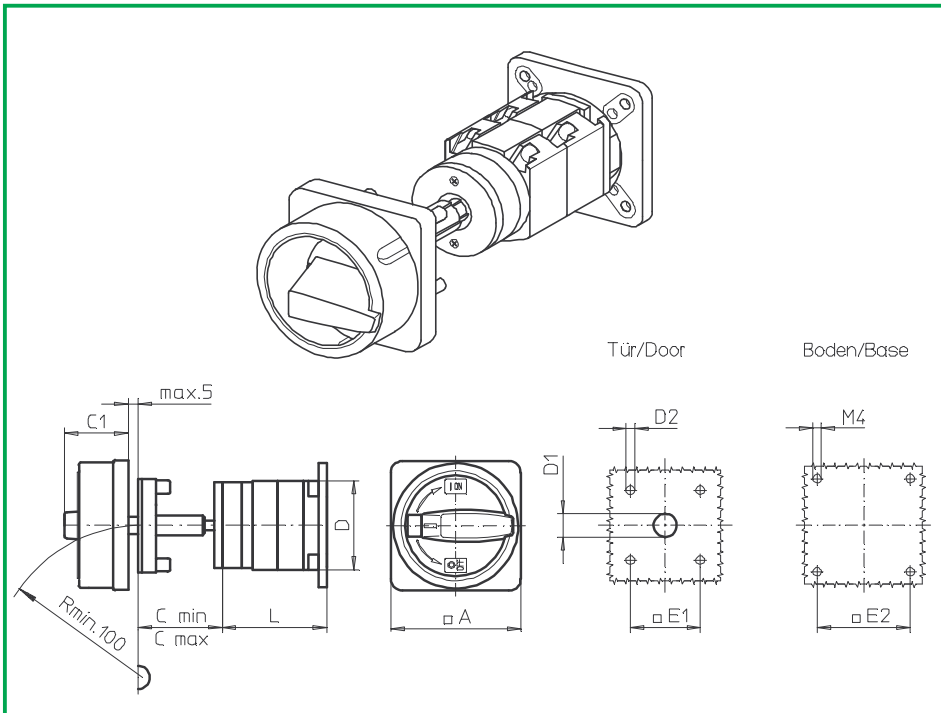
Door clutch
Modular shaft extension

Four hole mounting

36 x 36 mm front
48 x 48 mm base

032M1 (IP66)

032M4 (IP66)



Complete switch	Poles	Product line	Rated data (IEC 60947)			Order code number
			Operational current I _e	Operational power at 380–440 V		
			AC-21A A	AC-23A kW	AC-3 kW	
Main Switches Switching angle 90° OFF position padlockable 09h	1 ... 24	P200	20	7,5	5,5	P220 - 61 ... - 032M1
			25	11	7,5	P225 - 61 ... - 032M1
Main/Emergency-Off Switches Switching angle 90° OFF position padlockable 09h	1 ... 24	P200	20	7,5	5,5	P220 - 61 ... - 032M4
			25	11	7,5	P225 - 61 ... - 032M4

SMD modules for basic switch A02

Mounting form module for 032M.

P200

BFC2 - 032

M-padlock device 67 x 67 mm, mounting form 032M1
Escutcheon black, padlockable handle black

2CM1

M-padlock device 67 x 67 mm, mounting form 032M4
Escutcheon yellow, padlockable handle red

2CM4

Dimensions (mm)

Type	A	C _{min}	C _{max}	C1	D	D1	D2	E1	E2	L with ... stages (max. 12) each add.			
										1	2	3	stage
P220	67	42	59	39	44	15	4,5	36	48	41	54	67	13
P221	67	42	59	39	44	15	4,5	36	48	44,5	61	77,5	16,5
P225	67	42	59	39	46	15	4,5	36	48	43	58	73	15
P226	67	42	59	39	46	15	4,5	36	48	46,5	65	83,5	18,5

Base Mounting Switches

sälzer

**Product line
P200**

Base mounting switch

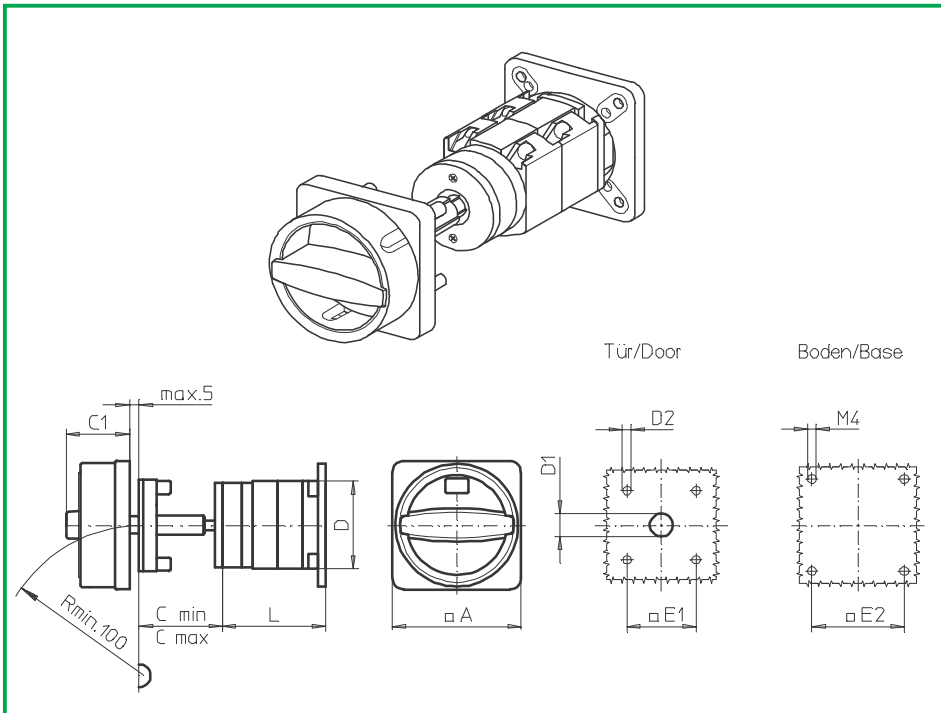
Door clutch
Modular shaft extension

Four hole mounting

36 x 36 mm front
48 x 48 mm base

032N1 (IP66)

032N4 (IP66)



Complete switch	Poles	Product line	Rated data (IEC 60947)			Order code number
			Operational current I _e	Operational power at 380–440 V		
			AC-21A A	AC-23A kW	AC-3 kW	
Main Switches Switching angle 90° OFF position padlockable 09h	1 ... 24	P200	20	7,5	5,5	P220 - 61 ... - 032N1
			25	11	7,5	P225 - 61 ... - 032N1
Main/Emergency-Off Switches Switching angle 90° OFF position padlockable 09h	1 ... 24	P200	20	7,5	5,5	P220 - 61 ... - 032N4
			25	11	7,5	P225 - 61 ... - 032N4

SMD modules for basic switch A02

Mounting form module for 032N.

P200

BFC2 - 032

N-padlock device 67 x 67 mm, mounting form 032N1
Escutcheon black, padlockable handle black

2CN1

N-padlock device 67 x 67 mm, mounting form 032N4
Escutcheon yellow, padlockable handle red

2CN4

Dimensions (mm)

Type	A	C _{min}	C _{max}	C ₁	D	D ₁	D ₂	E ₁	E ₂	L with ... stages (max. 12) each add.			
										1	2	3	stage
P220	67	42	59	33	44	15	4,5	36	48	41	54	67	13
P221	67	42	59	33	44	15	4,5	36	48	44,5	61	77,5	16,5
P225	67	42	59	33	46	15	4,5	36	48	43	58	73	15
P226	67	42	59	33	46	15	4,5	36	48	46,5	65	83,5	18,5

Base Mounting Switches

sälzer

Product line
P200

Base mounting switch

Door clutch

Modular shaft extension

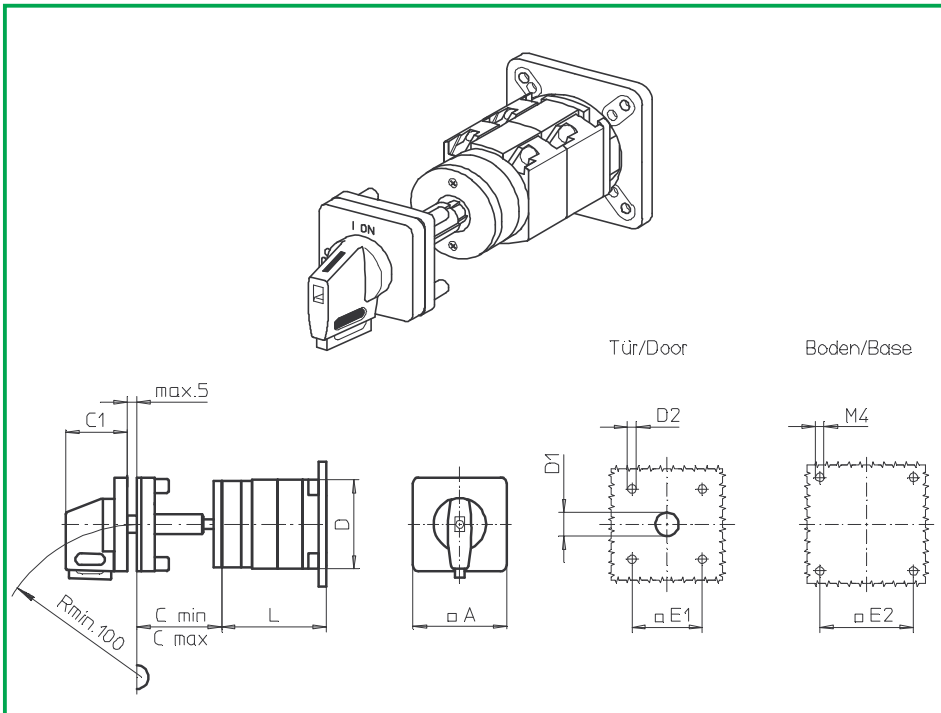
Four hole mounting

36 x 36 mm front

48 x 48 mm base

032V1 (IP66)

032V4 (IP66)



Complete switch	Poles	Product line	Rated data (IEC 60947)			Order code number
			Operational current I_e	Operational power at 380–440 V		
			AC-21A A	AC-23A kW	AC-3 kW	
Main Switches Switching angle 90° OFF position padlockable 09h	1 ... 24	P200	20	7,5	5,5	P220 - 61 ... - 032V1
			25	11	7,5	P225 - 61 ... - 032V1
Main/Emergency-Off Switches Switching angle 90° OFF position padlockable 09h	1 ... 24	P200	20	7,5	5,5	P220 - 61 ... - 032V4
			25	11	7,5	P225 - 61 ... - 032V4

SMD modules for basic switch A02

Mounting form module for 032V.

P200

BFB2 - 041

V-operator module 48 x 48 mm, mounting form 032V1
Escutcheon black, handle black

2AV1 - 09

Legend plate silver, operator module 032V1

FAS2 - 9078

V-operator module 48 x 48 mm, mounting form 032V4
Escutcheon black, handle red

2AV4 - 09

Legend plate yellow, operator module 032V4

FBS2 - 9078

Dimensions (mm)

Type	A	Cmin	Cmax	C1	D	D1	D2	E1	E2	L with ... stages (max. 12) each add.			
										1	2	3	stage
P220	48	42	59	32	44	12	4,5	36	48	41	54	67	13
P221	48	42	59	32	44	12	4,5	36	48	44,5	61	77,5	16,5
P225	48	42	59	32	46	12	4,5	36	48	43	58	73	15
P226	48	42	59	32	46	12	4,5	36	48	46,5	65	83,5	18,5

Base Mounting Switches

sälzer

**Product line
P200**

Base mounting switch

Door clutch

Modular shaft extension

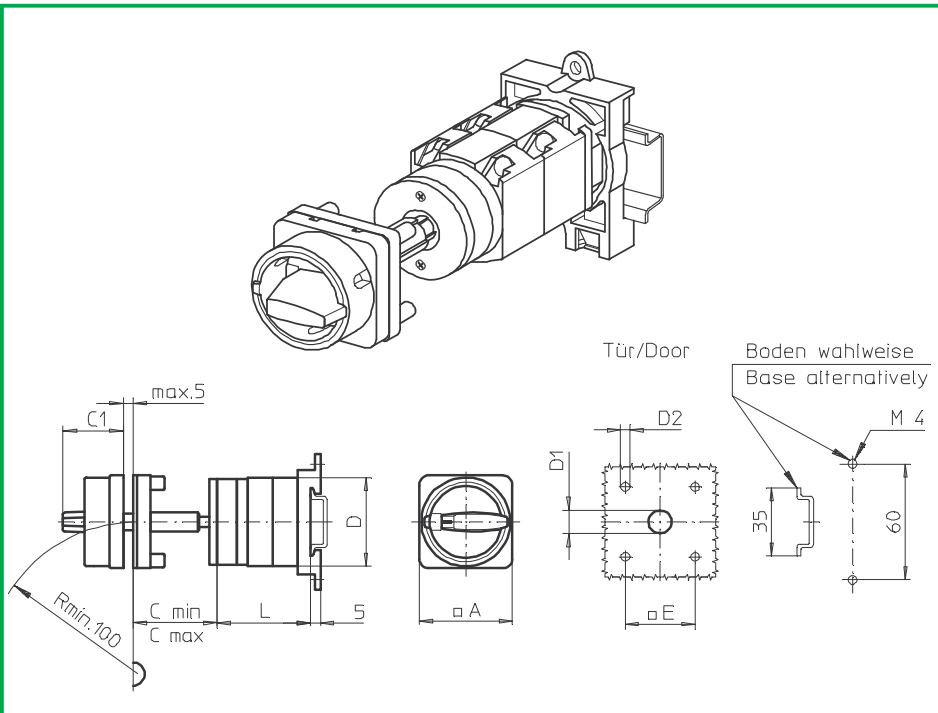
Four hole mounting

36 x 36 mm front

Snap on mounting base plate

231M1 (IP66)

231M4 (IP66)



Complete switch	Poles	Product line	Rated data (IEC 60947)			Order code number							
			Operational current I _e	Operational power at 380–440 V									
			AC-21A A	AC-23A kW	AC-3 kW								
Main Switches Switching angle 90° OFF position padlockable 09h	1 ... 24	P200	20 25	7,5 11	5,5 7,5	P220 - 61 ... - 231M1 P225 - 61 ... - 231M1							
Main/Emergency-Off Switches Switching angle 90° OFF position padlockable 09h	1 ... 24	P200	20 25	7,5 11	5,5 7,5	P220 - 61 ... - 231M4 P225 - 61 ... - 231M4							
SMD modules for basic switch A02													
Mounting form module for 231M.			P200			BFB2 - 241							
M-padlock device 48 x 48 mm, mounting form 231M1 Escutcheon black, padlockable handle black						2BM1							
M-padlock device 48 x 48 mm, mounting form 231M4 Escutcheon yellow, padlockable handle red						2BM4							
Dimensions (mm)													
Type	A	C _{min}	C _{max}	C1	D	D1	D2	E	L with ... stages (max. 12)				each add. stage
									1	2	3	4	
P220	48	42	59	32	44	12	4,5	36	40	53	66	79	13
P221	48	42	59	32	44	12	4,5	36	43,5	60	76,5	93	16,5
P225	48	42	59	32	46	12	4,5	36	42	57	72	87	15
P226	48	42	59	32	46	12	4,5	36	45,5	64	82,5	101	18,5

Base Mounting Switches

sälzer

**Product line
P200**

Base mounting switch

Door clutch

Modular shaft extension

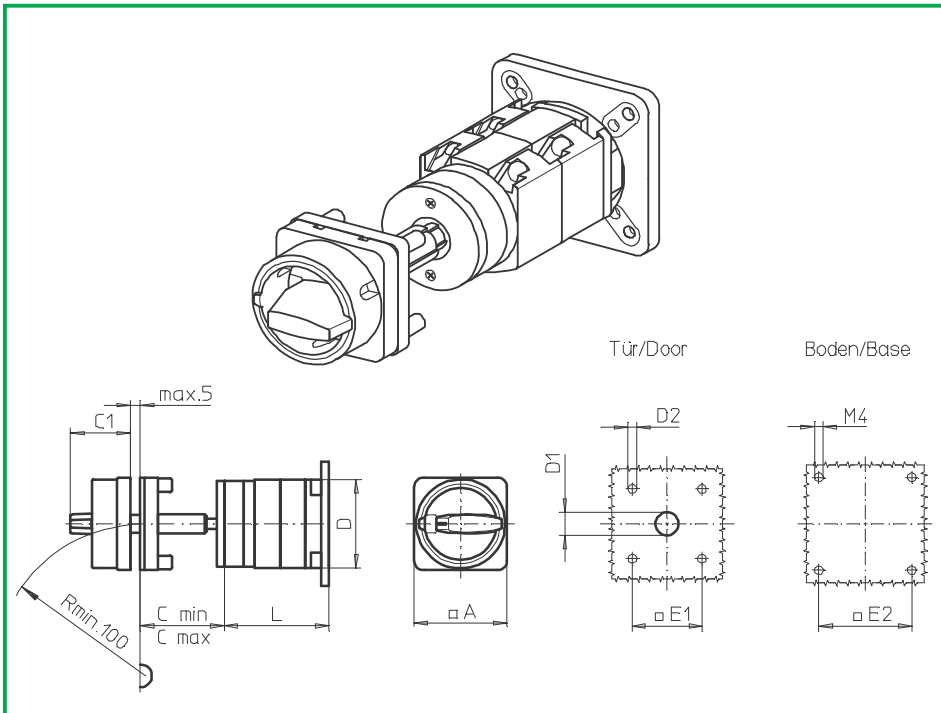
Four hole mounting

36 x 36 mm front

48 x 48 mm base

031M1 (IP66)

031M4 (IP66)



Complete switch	Poles	Product line	Rated data (IEC 60947)			Order code number
			Operational current I _e	Operational power at 380–440 V		
			AC-21A A	AC-23A kW	AC-3 kW	
Main Switches Switching angle 90° OFF position padlockable 09h	1 ... 24	P200	20	7,5	5,5	P220 - 61 ... - 031M1
			25	11	7,5	P225 - 61 ... - 031M1
Main/Emergency-Off Switches Switching angle 90° OFF position padlockable 09h	1 ... 24	P200	20	7,5	5,5	P220 - 61 ... - 031M4
			25	11	7,5	P225 - 61 ... - 031M4

SMD modules for basic switch A02

Mounting form module for 031M.

P200

BFB2 - 041

M-padlock device 48 x 48 mm, mounting form 031M1
Escutcheon black, padlockable handle black

2BM1

M-padlock device 48 x 48 mm, mounting form 031M4
Escutcheon yellow, padlockable handle red

2BM4

Dimensions (mm)

Type	A	C _{min}	C _{max}	C ₁	D	D ₁	D ₂	E ₁	E ₂	L with ... stages (max. 12) each add.			
										1	2	3	stage
P220	48	42	59	32	44	12	4,5	36	48	41	54	67	13
P221	48	42	59	32	44	12	4,5	36	48	44,5	61	77,5	16,5
P225	48	42	59	32	46	12	4,5	36	48	43	58	73	15
P226	48	42	59	32	46	12	4,5	36	48	46,5	65	83,5	18,5

Base Mounting Switches

sälzer

Product line
P200

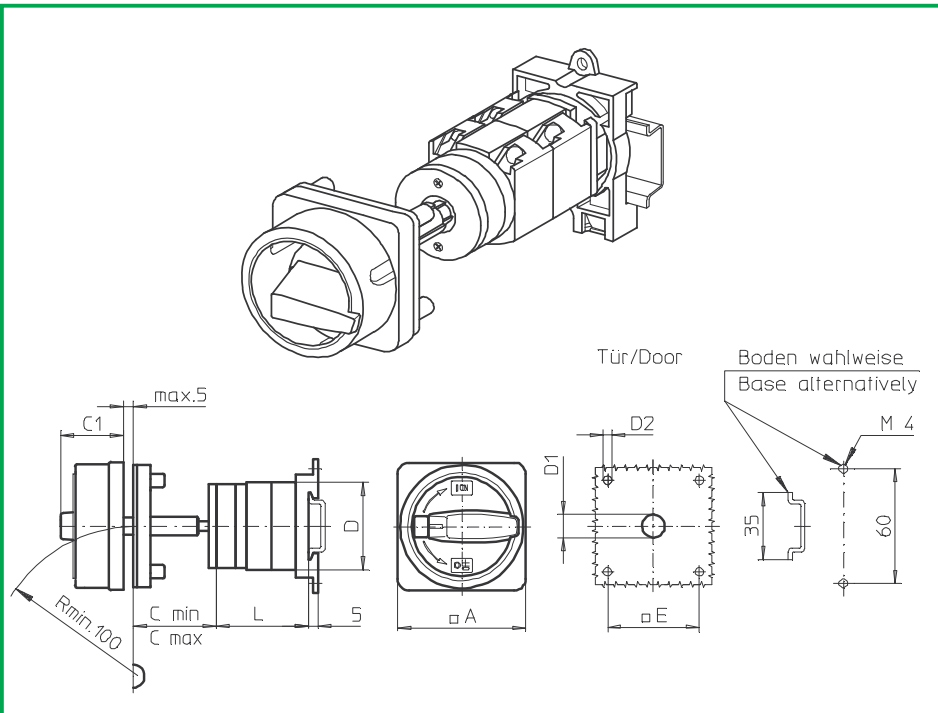
Base mounting switch
operator module of next size

Door clutch
Modular shaft extension

Four hole mounting
48 x 48 mm front
Snap on mounting base plate

237M1 (IP66)

237M4 (IP66)



Complete switch	Poles	Product line	Rated data (IEC 60947)			Order code number
			Operational current I _e	Operational power at 380–440 V		
			AC-21A A	AC-23A kW	AC-3 kW	
Main Switches Switching angle 90° OFF position padlockable 09h	1 ... 24	P200	20	7,5	5,5	P220 - 61 ... - 237M1
			25	11	7,5	P225 - 61 ... - 237M1
Main/Emergency-Off Switches Switching angle 90° OFF position padlockable 09h	1 ... 24	P200	20	7,5	5,5	P220 - 61 ... - 237M4
			25	11	7,5	P225 - 61 ... - 237M4

SMD modules for basic switch A02			
Mounting form module for 237M.		P200	BFC2 - 237
M-padlock device 67 x 67 mm, mounting form 237M1 Escutcheon black, padlockable handle black			4BM1
M-padlock device 67 x 67 mm, mounting form 237M4 Escutcheon yellow, padlockable handle red			4BM4

Dimensions (mm)													
Type	A	C _{min}	C _{max}	C1	D	D1	D2	E	L with ... stages (max. 12)				each add. stage
									1	2	3	4	
P220	67	42	59	38	44	15	5	48	40	53	66	79	13
P221	67	42	59	38	44	15	5	48	43,5	60	76,5	93	16,5
P225	67	42	59	38	46	15	5	48	42	57	72	87	15
P226	67	42	59	38	46	15	5	48	45,5	64	82,5	101	18,5

Base Mounting Switches

sälzer

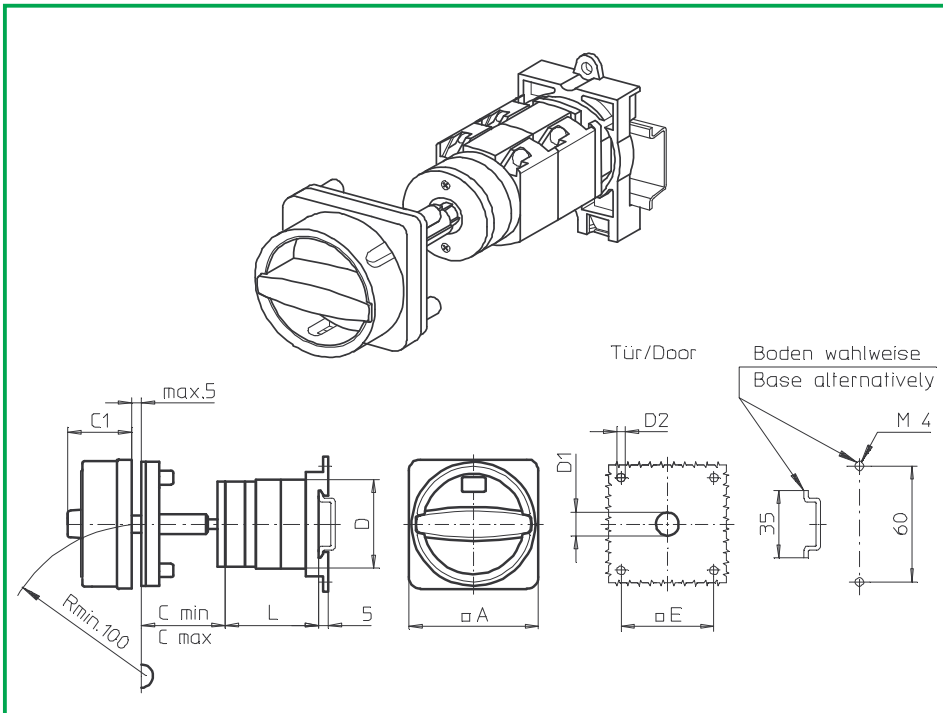
**Product line
P200**

Base mounting switch
operator module of next size

Door clutch
Modular shaft extension

Four hole mounting
48 x 48 mm front
Snap on mounting base plate

237N1 (IP66)
237N4 (IP66)



Complete switch	Poles	Product line	Rated data (IEC 60947)			Order code number							
			Operational current I _e	Operational power at 380–440 V									
			AC-21A A	AC-23A kW	AC-3 kW								
Main Switches Switching angle 90° OFF position padlockable 09h	1 ... 24	P200	20 25	7,5 11	5,5 7,5	P220 - 61 ... - 237N1 P225 - 61 ... - 237N1							
Main/Emergency-Off Switches Switching angle 90° OFF position padlockable 09h	1 ... 24	P200	20 25	7,5 11	5,5 7,5	P220 - 61 ... - 237N4 P225 - 61 ... - 237N4							
SMD modules for basic switch A02													
Mounting form module for 237N.			P200			BFC2 - 237							
N-padlock device 67 x 67 mm, mounting form 237N1 Escutcheon black, padlockable handle black						4BN1							
N-padlock device 67 x 67 mm, mounting form 237N4 Escutcheon yellow, padlockable handle red						4BN4							
Dimensions (mm)													
Type	A	C_{min}	C_{max}	C1	D	D1	D2	E	L with ... stages (max. 12)				each add. stage
P220	67	42	59	32	44	15	5	48	1	2	3	4	13
P221	67	42	59	32	44	15	5	48	43,5	60	76,5	93	16,5
P225	67	42	59	32	46	15	5	48	42	57	72	87	15
P226	67	42	59	32	46	15	5	48	45,5	64	82,5	101	18,5

Base Mounting Switches

sälzer

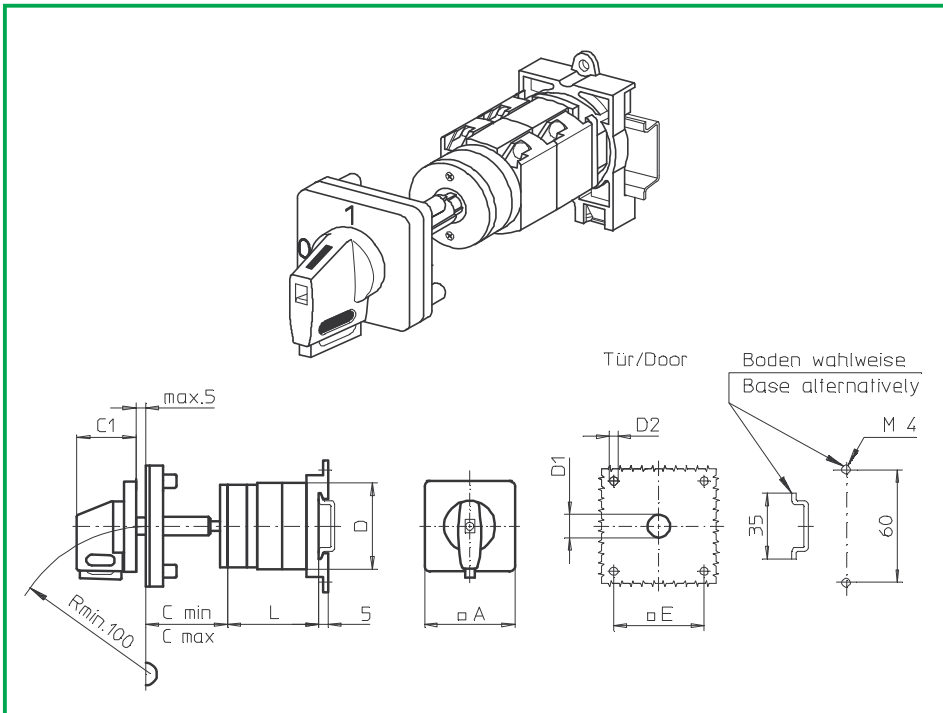
Product line
P200

Base mounting switch
operator module of next size

Door clutch
Modular shaft extension

Four hole mounting
48 x 48 mm front
Snap on mounting base plate

237V1 (IP66)
237V4 (IP66)



Complete switch	Poles	Product line	Rated data (IEC 60947)			Order code number
			Operational current I _e	Operational power at 380–440 V		
			AC-21A A	AC-23A kW	AC-3 kW	
Main Switches Switching angle 90° OFF position padlockable 09h	1 ... 24	P200	20 25	7,5 11	5,5 7,5	P220 - 61 ... - 237V1 P225 - 61 ... - 237V1
Main/Emergency-Off Switches Switching angle 90° OFF position padlockable 09h	1 ... 24	P200	20 25	7,5 11	5,5 7,5	P220 - 61 ... - 237V4 P225 - 61 ... - 237V4

SMD modules for basic switch A02

Mounting form module for 237V.

V-operator module 64 x 64 mm, mounting form 237V1
Escutcheon black, handle black

Legend plate silver, operator module 237V1

V-operator module 64 x 64 mm, mounting form 237V4
Escutcheon black, handle red

Legend plate yellow, operator module 237V4

P200

BFC2 - 247

4AV1 - 09

FAS4 - 9078

4AV4 - 09

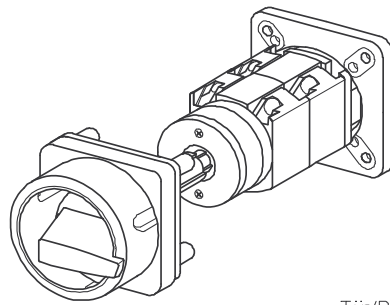
FBS4 - 9078

Dimensions (mm)

Type	A	C _{min}	C _{max}	C ₁	D	D ₁	D ₂	E	L with ... stages (max. 12)				each add. stage
									1	2	3	4	
P220	64	42	59	39	44	15	5	48	40	53	66	79	13
P221	64	42	59	39	44	15	5	48	43,5	60	76,5	93	16,5
P225	64	42	59	39	46	15	5	48	42	57	72	87	15
P226	64	42	59	39	46	15	5	48	45,5	64	82,5	101	18,5

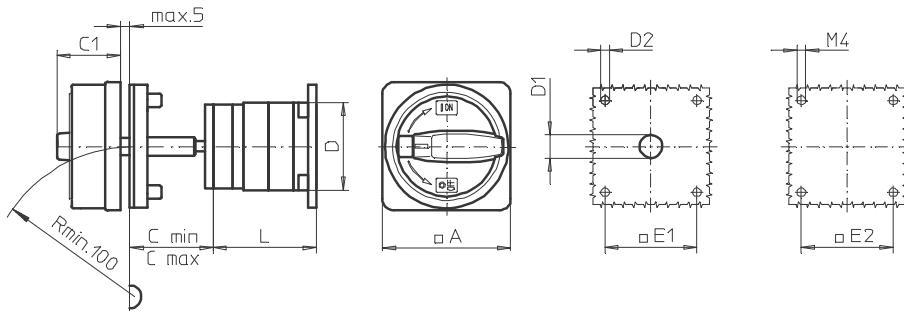
Base Mounting Switches

sälzer



Tür/Door

Boden/Base



Product line
P200

Base mounting switch
operator module of next size

Door clutch
Modular shaft extension

Four hole mounting
48 x 48 mm front
48 x 48 mm base

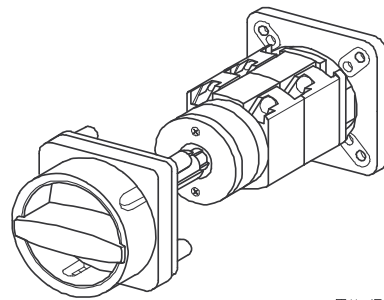
037M1 (IP66)

037M4 (IP66)

Complete switch	Poles	Product line	Rated data (IEC 60947)			Order code number							
			Operational current I _e	Operational power at 380–440 V									
			AC-21A A	AC-23A kW	AC-3 kW								
Main Switches Switching angle 90° OFF position padlockable 09h	1 ... 24	P200	20 25	7,5 11	5,5 7,5	P220 - 61 ... - 037M1 P225 - 61 ... - 037M1							
Main/Emergency-Off Switches Switching angle 90° OFF position padlockable 09h	1 ... 24	P200	20 25	7,5 11	5,5 7,5	P220 - 61 ... - 037M4 P225 - 61 ... - 037M4							
SMD modules for basic switch A02													
Mounting form module for 037M.			P200			BFC2 - 037							
M-padlock device 67 x 67 mm, mounting form 037M1 Escutcheon black, padlockable handle black						4BM1							
M-padlock device 67 x 67 mm, mounting form 037M4 Escutcheon yellow, padlockable handle red						4BM4							
Dimensions (mm)													
Type	A	C_{min}	C_{max}	C1	D	D1	D2	E1	E2	L with ... stages (max. 12) each add.			
										1	2	3	stage
P220	67	42	59	38	44	15	5	48	48	41	54	67	13
P221	67	42	59	38	44	15	5	48	48	44,5	61	77,5	16,5
P225	67	42	59	38	46	15	5	48	48	43	58	73	15
P226	67	42	59	38	46	15	5	48	48	46,5	65	83,5	18,5

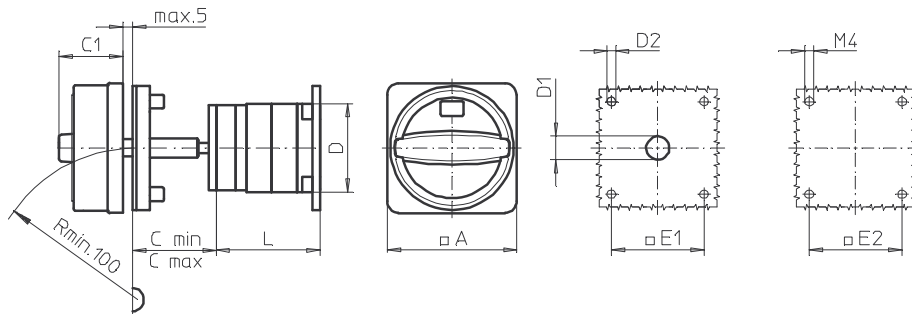
Base Mounting Switches

sälzer



Tür/Door

Boden/Base



Product line
P200

Base mounting switch
operator module of next size

Door clutch
Modular shaft extension

Four hole mounting
48 x 48 mm front
48 x 48 mm base

037N1 (IP66)
037N4 (IP66)

Complete switch	Poles	Product line	Rated data (IEC 60947)			Order code number
			Operational current I _e	Operational power at 380–440 V		
			AC-21A A	AC-23A kW	AC-3 kW	
Main Switches Switching angle 90° OFF position padlockable 09h	1 ... 24	P200	20	7,5	5,5	P220 - 61 ... - 037N1
			25	11	7,5	P225 - 61 ... - 037N1
Main/Emergency-Off Switches Switching angle 90° OFF position padlockable 09h	1 ... 24	P200	20	7,5	5,5	P220 - 61 ... - 037N4
			25	11	7,5	P225 - 61 ... - 037N4

SMD modules for basic switch A02

Mounting form module for 037N.

P200

BFC2 -037

N-padlock device 67 x 67 mm, mounting form 037N1
Escutcheon black, padlockable handle black

4BN1

N-padlock device 67 x 67 mm, mounting form 037N4
Escutcheon yellow, padlockable handle red

4BN4

Dimensions (mm)

Type	A	C _{min}	C _{max}	C1	D	D1	D2	E1	E2	L with ... stages (max. 12) each add.			
										1	2	3	stage
P220	67	42	59	33	44	15	5	48	48	41	54	67	13
P221	67	42	59	33	44	15	5	48	48	44,5	61	77,5	16,5
P225	67	42	59	33	46	15	5	48	48	43	58	73	15
P226	67	42	59	33	46	15	5	48	48	46,5	65	83,5	18,5

Base Mounting Switches

sälzer

Product line
P200

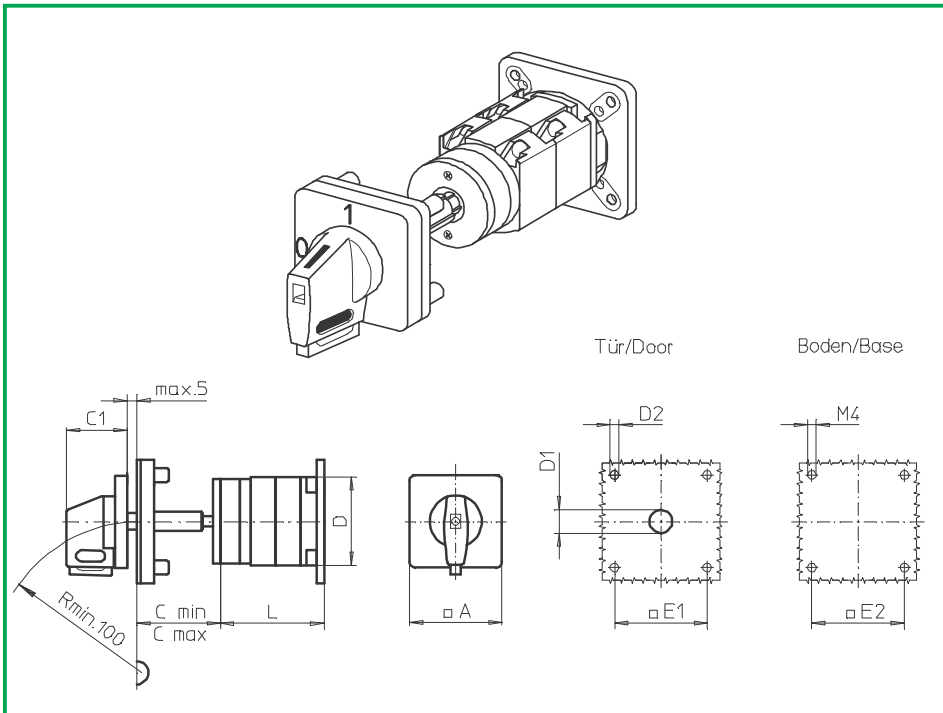
Base mounting switch
operator module of next size

Door clutch
Modular shaft extension

Four hole mounting
48 x 48 mm front
48 x 48 mm base

037V1 (IP66)

037V4 (IP66)



Complete switch

Poles

Product line

Rated data (IEC 60947)

Order code number

Operational current I_e

Operational power at 380–440 V

AC-21A AC-23A AC-3

A kW kW

Complete switch	Poles	Product line	Rated data (IEC 60947)	Order code number		
Main Switches Switching angle 90° OFF position padlockable 09h	1 ... 24	P200	20	7,5	5,5	P220 - 61 ... - 037V1
			25	11	7,5	P225 - 61 ... - 037V1
Main/Emergency-Off Switches Switching angle 90° OFF position padlockable 09h	1 ... 24	P200	20	7,5	5,5	P220 - 61 ... - 037V4
			25	11	7,5	P225 - 61 ... - 037V4

SMD modules for basic switch A02

Mounting form module for 037V.

P200

BFC2 - 047

V-operator module 64 x 64 mm, mounting form 037V1
Escutcheon black, handle black

4AV1 - 09

Legend plate silver, operator module 037V1

FAS4 - 9078

V-operator module 64 x 64 mm, mounting form 037V4
Escutcheon black, handle red

4AV4 - 09

Legend plate yellow, operator module 037V4

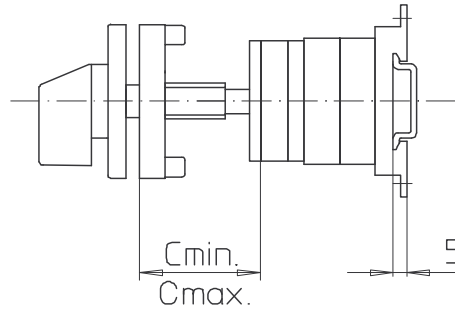
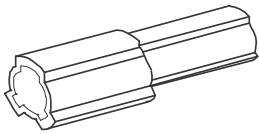
FBS4 - 9078

Dimensions (mm)

Type	A	Cmin	Cmax	C1	D	D1	D2	E1	E2	L with ... stages (max. 12) each add.			
										1	2	3	stage
P220	64	42	59	39	44	15	5	48	48	41	54	67	13
P221	64	42	59	39	44	15	5	48	48	44,5	61	77,5	16,5
P225	64	42	59	39	46	15	5	48	48	43	58	73	15
P226	64	42	59	39	46	15	5	48	48	46,5	65	83,5	18,5

Base mounting switch

sälzer



**Product line
P200**

Base mounting switch

Door clutch
Modular shaft extension

**Four hole mounting
front**

AVD2

Modular shaft extensions for use with door interlock

Dimensions C_{min} , C_{max}

Dimension	C_{min}	C_{max}	number	order code number
0	42 mm	59 mm	-	-
1	60 mm	84 mm	1	AVD2
2	85 mm	109 mm	2	AVD2
3	110 mm	134 mm	3	AVD2
4	135 mm	159 mm	4	AVD2
5	160 mm	184 mm	5	AVD2
6	185 mm	209 mm	6	AVD2

Base Mounting Switches

sälzer

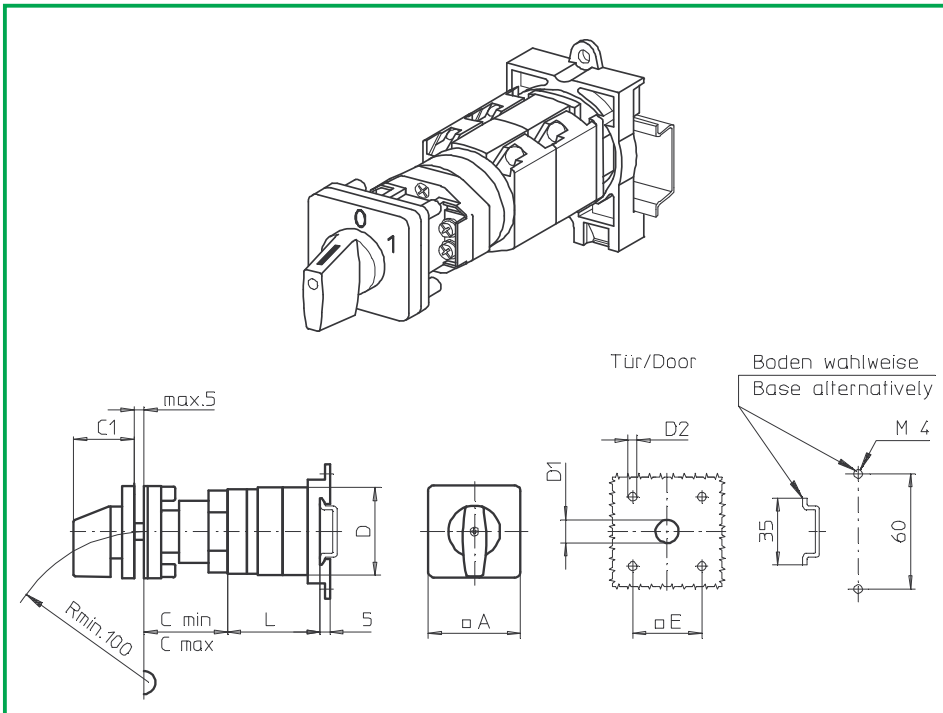
Product line
P200

Base mounting switch

Door interlock
Modular shaft extension

Four hole mounting
36 x 36 mm front
Snap mounting base plate

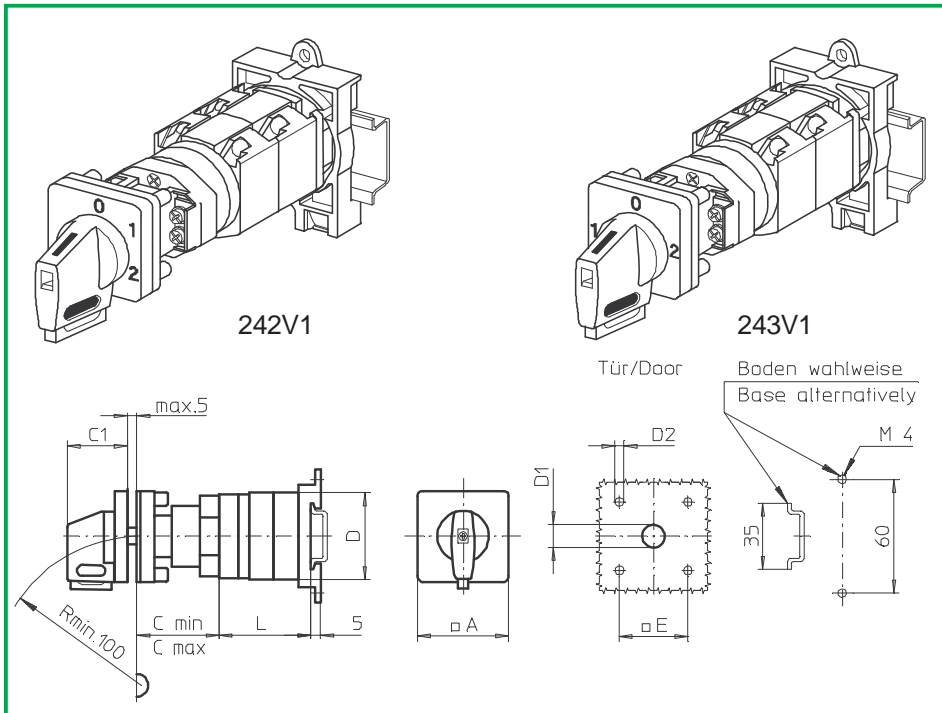
242M1 (IP66)



Complete switch	Poles	Product line	Rated data (IEC 60947)			Order code number							
			Operational current I _e	Operational power at 380–440 V									
			AC-21A A	AC-23A kW	AC-3 kW								
Rotary Cam Switches Switching angle 30°/45°/60°/90°	1 ... 24	P200	20 25	7,5 11	5,5 7,5	P220 - 61 ... - 242M1 P225 - 61 ... - 242M1							
SMD modules for basic switch A02													
Mounting form module for 242M1			P200			BFB2 - 242							
M-operator module 48 x 48 mm, mounting form 242M1 Escutcheon black, handle black						2AM1							
Legend plate silver, operator module 242M1						FAS2 - (FA number)							
Dimensions (mm)													
Type	A	C _{min}	C _{max}	C ₁	D	D ₁	D ₂	E	L with ... stages (max. 12)				each add. stage
									1	2	3	4	
P220	48	42	57	32	44	12	4,5	36	40	53	66	79	13
P221	48	42	57	32	44	12	4,5	36	43,5	60	76,5	93	16,5
P225	48	42	57	32	46	12	4,5	36	42	57	72	87	15
P226	48	42	57	32	46	12	4,5	36	45,5	64	82,5	101	18,5

Base Mounting Switches

sälzer



**Product line
P200**

Base mounting switch

Door interlock
Modular shaft extension

Four hole mounting
36 x 36 mm front
Snap mounting base plate

242V1 (IP66)
243V1 (IP66)

Complete switch	Poles	Product line	Rated data (IEC 60947)			Order code number
			Operational current I _e	Operational power at 380–440 V		
			AC-21A A	AC-23A kW	AC-3 kW	
Rotary Cam Switches Switching angle 30°/45°/60°/90° Padlockable 12h	1 ... 24	P200	20	7,5	5,5	P220 - 61 ... - 242V1
			25	11	7,5	P225 - 61 ... - 242V1
Rotary Cam Switches Switching angle 90° 3 positions padlockable (09h/12h/03h)	1 ... 24	P200	20	7,5	5,5	P220 - 61 ... - 243V1
			25	11	7,5	P225 - 61 ... - 243V1

SMD modules for basic switch A02			
Mounting form module for 242V1/ 243V1		P200	BFD2 - 242
V-operator module 48 x 48 mm, mounting form 242V1 Escutcheon black, handle black			2AV1 - 12
V-operator module 48 x 48 mm, mounting form 243V1 Escutcheon black, handle black			2AV1 - 99
Legend plate silver, operator module 242V1/ 243V1			FAS2 - (FA number)

Dimensions (mm)													
Type	A	C _{min}	C _{max}	C1	D	D1	D2	E	L with ... stages (max. 12)				each add. stage
									1	2	3	4	
P220	48	42	57	32	44	12	4,5	36	40	53	66	79	13
P221	48	42	57	32	44	12	4,5	36	43,5	60	76,5	93	16,5
P225	48	42	57	32	46	12	4,5	36	42	57	72	87	15
P226	48	42	57	32	46	12	4,5	36	45,5	64	82,5	101	18,5

Base Mounting Switches

sälzer

**Product line
P200**

Base mounting switch

Door interlock

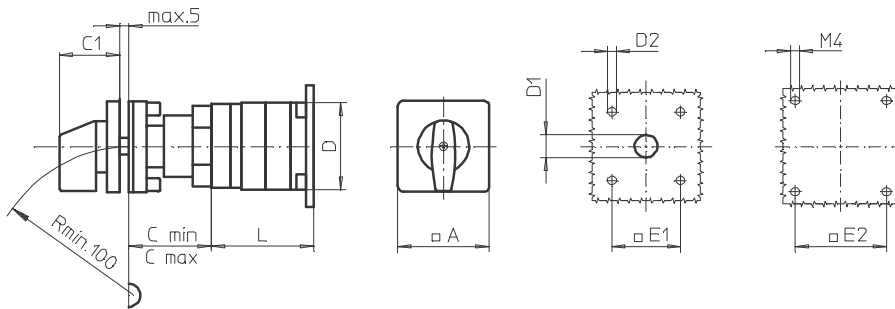
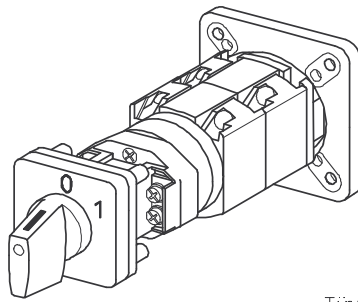
Modular shaft extension

Four hole mounting

36 x 36 mm front

48 x 48 mm base

042M1 (IP66)



Complete switch	Poles	Product line	Rated data (IEC 60947)			Order code number
			Operational current I _e	Operational power at 380–440 V		
			AC-21A A	AC-23A kW	AC-3 kW	
Rotary Cam Switches Switching angle 30°/45°/60°/90°	1 ... 24	P200	20 25	7,5 11	5,5 7,5	P220 - 61 ... - 042M1 P225 - 61 ... - 042M1

SMD modules for basic switch A02

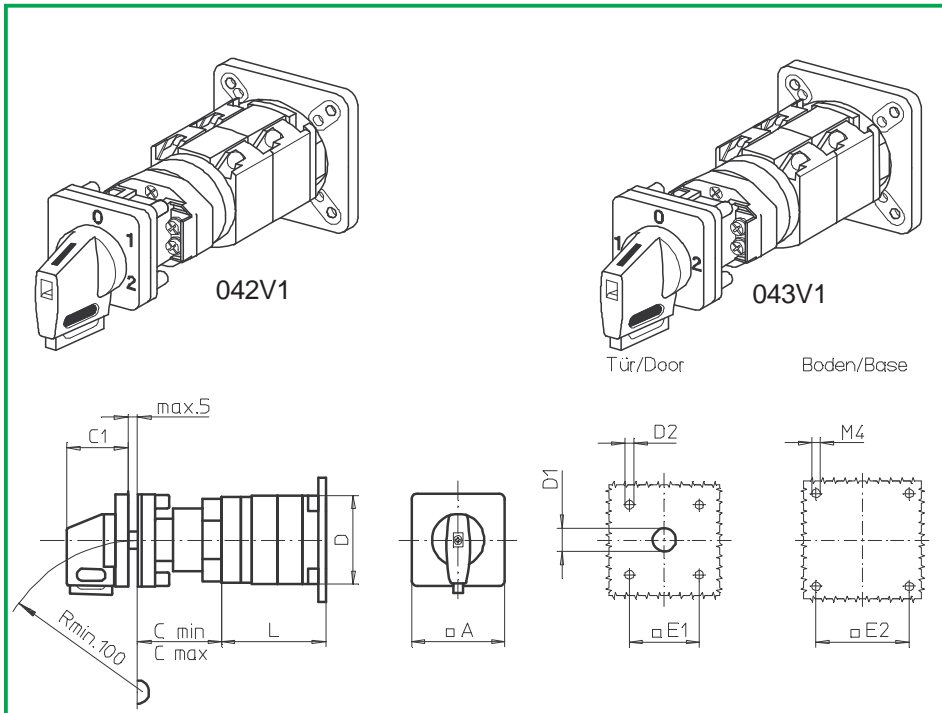
Mounting form module for 042M1	P200	BFB2 - 042
M-operator module 48 x 48 mm, mounting form 042M1 Escutcheon black, handle black		2AM1
Legend plate silver, operator module 042M1		FAS2 - (FA number)

Dimensions (mm)

Type	A	C _{min}	C _{max}	C ₁	D	D ₁	D ₂	E ₁	E ₂	L with ... stages (max. 12) each add.			stage
										1	2	3	
P220	48	42	57	32	44	12	4,5	36	48	41	54	67	13
P221	48	42	57	32	44	12	4,5	36	48	44,5	61	77,5	16,5
P225	48	42	57	32	46	12	4,5	36	48	43	58	73	15
P226	48	42	57	32	46	12	4,5	36	48	46,5	65	83,5	18,5

Base Mounting Switches

sälzer



**Product line
P200**

Base mounting switch

Door interlock

Modular shaft extension

Four hole mounting

36 x 36 mm front

48 x 48 mm base

042V1 (IP66)

043V1 (IP66)

Complete switch	Poles	Product line	Rated data (IEC 60947)			Order code number
			Operational current I _e	Operational power at 380–440 V		
			AC-21A A	AC-23A kW	AC-3 kW	
Rotary Cam Switches Switching angle 30°/45°/60°/90° Padlockable 12h	1 ... 24	P200	20 25	7,5 11	5,5 7,5	P220 - 61 ... - 042V1 P225 - 61 ... - 042V1
Rotary Cam Switches Switching angle 90° 3 positions padlockable (09h/12h/03h)	1 ... 24	P200	20 25	7,5 11	5,5 7,5	P220 - 61 ... - 043V1 P225 - 61 ... - 043V1

SMD modules for basic switch A02

Mounting form module for 042V1/ 043V1

P200

BFD2 - 042

V-operator module 48 x 48 mm, mounting form 042V1
Escutcheon black, handle black

2AV1 - 12

V-operator module 48 x 48 mm, mounting form 043V1
Escutcheon black, handle black

2AV1 - 99

Legend plate silver, operator module 042V1/ 043V1

FAS2 - (FA number)

Dimensions (mm)

Type	A	C _{min}	C _{max}	C1	D	D1	D2	E1	E2	L with ... stages (max. 12) each add.			
										1	2	3	stage
P220	48	42	57	32	44	12	4,5	36	48	41	54	67	13
P221	48	42	57	32	44	12	4,5	36	48	44,5	61	77,5	16,5
P225	48	42	57	32	46	12	4,5	36	48	43	58	73	15
P226	48	42	57	32	46	12	4,5	36	48	46,5	65	83,5	18,5

Base Mounting Switches

sälzer

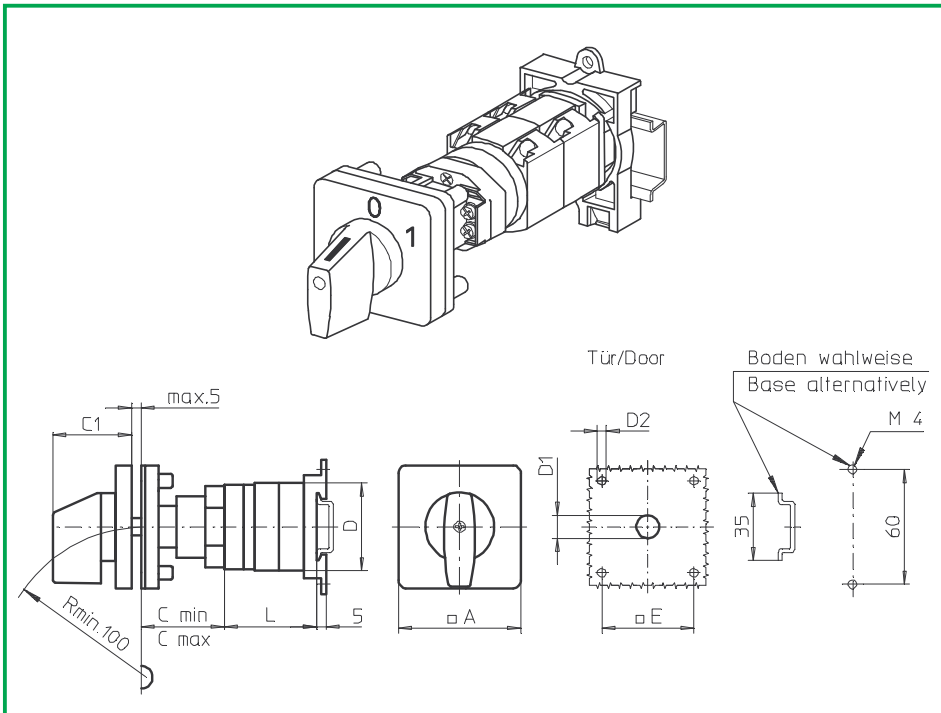
Product line
P200

Base mounting switch
Operator module of next size

Door interlock
Modular shaft extension

Four hole mounting
48 x 48 mm front
Snap mounting base plate

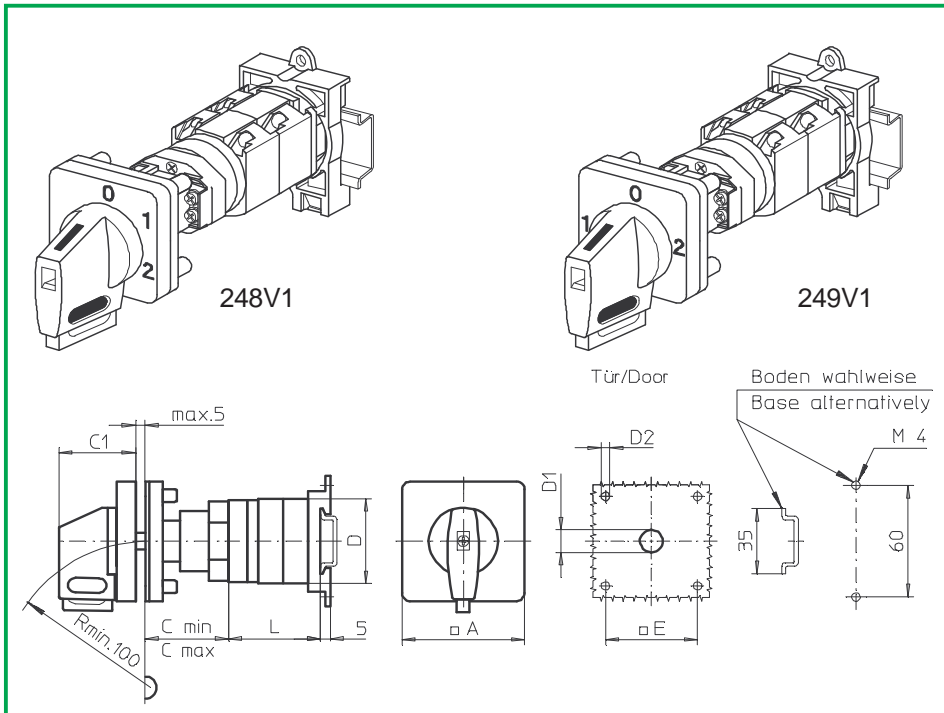
248M1 (IP66)



Complete switch	Poles	Product line	Rated data (IEC 60947)			Order code number							
			Operational current I _e	Operational power at 380–440 V									
			AC-21A A	AC-23A kW	AC-3 kW								
Rotary Cam Switches Switching angle 30°/45°/60°/90°	1 ... 24	P200	20 25	7,5 11	5,5 7,5	P220 - 61 ... - 248M1 P225 - 61 ... - 248M1							
SMD modules for basic switch A02													
Mounting form module for 248M1			P200			BFD2 - 248							
M-operator module 64 x 64 mm, mounting form 248M1 Escutcheon black, handle black						4AM1							
Legend plate silver, operator module 248M1						FAS4 - (FA number)							
Dimensions (mm)													
Type	A	Cmin	Cmax	C1	D	D1	D2	E	L with ... stages (max. 12)				each add. stage
P220	64	42	57	39	44	15	5	48	1	2	3	4	13
P221	64	42	57	39	44	15	5	48	43,5	60	76,5	93	16,5
P225	64	42	57	39	46	15	5	48	42	57	72	87	15
P226	64	42	57	39	46	15	5	48	45,5	64	82,5	101	18,5

Base Mounting Switches

sälzer



Product line
P200

Base mounting switch
Operator module of next size

Door interlock
Modular shaft extension

Four hole mounting
48 x 48 mm front
Snap mounting base plate

248V1 (IP66)
249V1 (IP66)

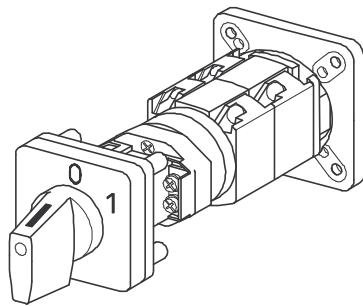
Complete switch	Poles	Product line	Rated data (IEC 60947)			Order code number
			Operational current I _e	Operational power at 380–440 V		
			AC-21A A	AC-23A kW	AC-3 kW	
Rotary Cam Switches Switching angle 30°/45°/60°/90° Padlockable 12h	1 ... 24	P200	20 25	7,5 11	5,5 7,5	P220 - 61 ... - 248V1 P225 - 61 ... - 248V1
Rotary Cam Switches Switching angle 90° 3 positions padlockable (09h/12h/03h)	1 ... 24	P200	20 25	7,5 11	5,5 7,5	P220 - 61 ... - 249V1 P225 - 61 ... - 249V1

SMD modules for basic switch A02			
Mounting form module for 248V1/ 249V1		P200	BFE2 - 248
V-operator module 64 x 64 mm, mounting form 248V1 Escutcheon black, handle black			4AV1 - 12
V-operator module 64 x 64 mm, mounting form 249V1 Escutcheon black, handle black			4AV1 - 99
Legend plate silver, operator module 248V1/ 249V1			FAS4 - (FA number)

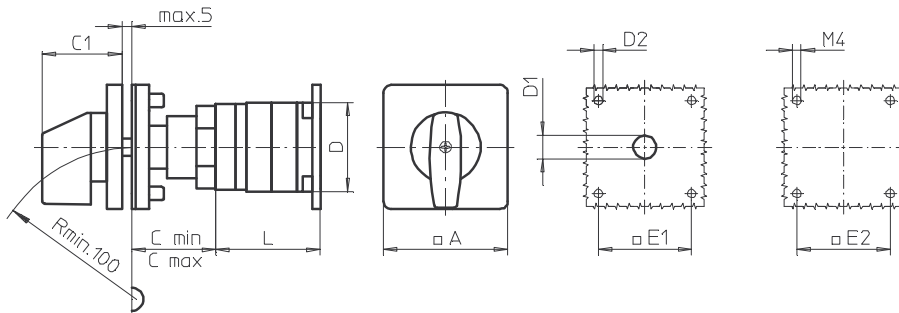
Dimensions (mm)													
Type	A	C _{min}	C _{max}	C ₁	D	D ₁	D ₂	E	L with ... stages (max. 12)				each add. stage
									1	2	3	4	
P220	64	42	57	39	44	15	5	48	40	53	66	79	13
P221	64	42	57	39	44	15	5	48	43,5	60	76,5	93	16,5
P225	64	42	57	39	46	15	5	48	42	57	72	87	15
P226	64	42	57	39	46	15	5	48	45,5	64	82,5	101	18,5

Base Mounting Switches

sälzer



Tür/Door Boden/Base



Product line
P200

Base mounting switch
Operator module of next size

Door interlock
Modular shaft extension

Four hole mounting
48 x 48 mm front
48 x 48 mm base

048M1 (IP66)

Complete switch	Poles	Product line	Rated data (IEC 60947)			Order code number							
			Operational current I _e	Operational power at 380–440 V									
			AC-21A A	AC-23A kW	AC-3 kW								
Rotary Cam Switches Switching angle 30°/45°/60°/90°	1 ... 24	P200	20 25	7,5 11	5,5 7,5	P220 - 61 ... - 048M1 P225 - 61 ... - 048M1							
SMD modules for basic switch A02													
Mounting form module for 048M1			P200			BFD2 - 048							
M-operator module 64 x 64 mm, mounting form 048M1 Escutcheon black, handle black						4AM1							
Legend plate silver, operator module 048M1						FAS4 - (FA number)							
Dimensions (mm)													
Type	A	C _{min}	C _{max}	C ₁	D	D ₁	D ₂	E ₁	E ₂	L with ... stages (max. 12) each add.			stage
										1	2	3	
P220	64	42	57	39	46	15	5	48	48	38	48	58	10
P221	64	42	57	39	46	15	5	48	48	41	54	67	13
P225	64	42	57	39	48	15	5	48	48	41	54	67	13
P226	64	42	57	39	50	15	5	48	48	43	58	73	15

Base Mounting Switches

sälzer

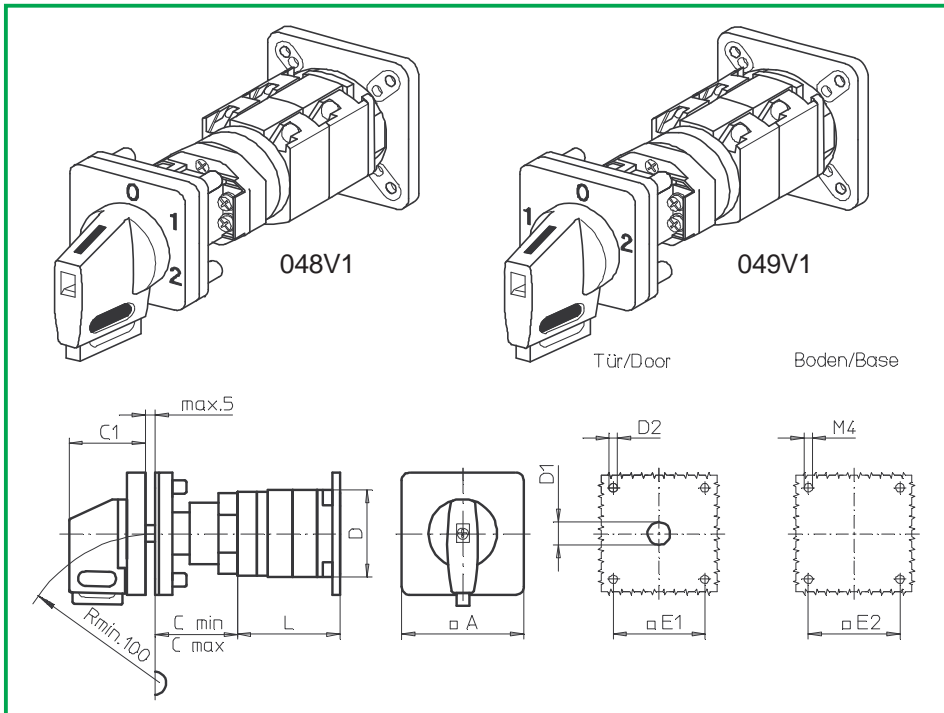
Product line
P200

Base mounting switch
Operator module of next size

Door interlock
Modular shaft extension

Four hole mounting
48 x 48 mm front
48 x 48 mm base

048V1 (IP66)
049V1 (IP66)



Complete switch	Poles	Product line	Rated data (IEC 60947)			Order code number
			Operational current I _e	Operational power at 380–440 V		
			AC-21A A	AC-23A kW	AC-3 kW	
Rotary Cam Switches Switching angle 30°/45°/60°/90° Padlockable 12h	1 ... 24	P200	20 25	7,5 11	5,5 7,5	P220 - 61 ... - 048V1 P225 - 61 ... - 048V1
Rotary Cam Switches Switching angle 90° 3 positions padlockable (09h/12h/03h)	1 ... 24	P200	20 25	7,5 11	5,5 7,5	P220 - 61 ... - 049V1 P225 - 61 ... - 049V1

SMD modules for basic switch A02			
Mounting form module for 048V1/ 049V1		P200	BFE2 - 048
V-operator module 64 x 64 mm, mounting form 048V1 Escutcheon black, handle black			4AV1 - 12
V-operator module 64 x 64 mm, mounting form 049V1 Escutcheon black, handle black			4AV1 - 99
Legend plate silver, operator module 048V1/ 049V1			FAS4 - (FA number)

Dimensions (mm)											L with ... stages (max. 12) each add.			
Type	A	C _{min}	C _{max}	C ₁	D	D ₁	D ₂	E ₁	E ₂		1	2	3	stage
P220	64	42	57	39	44	15	5	48	48		41	54	67	13
P221	64	42	57	39	44	15	5	48	48		44,5	61	77,5	16,5
P225	64	42	57	39	46	15	5	48	48		43	58	73	15
P226	64	42	57	39	46	15	5	48	48		46,5	65	83,5	18,5

Base Mounting Switches

sälzer

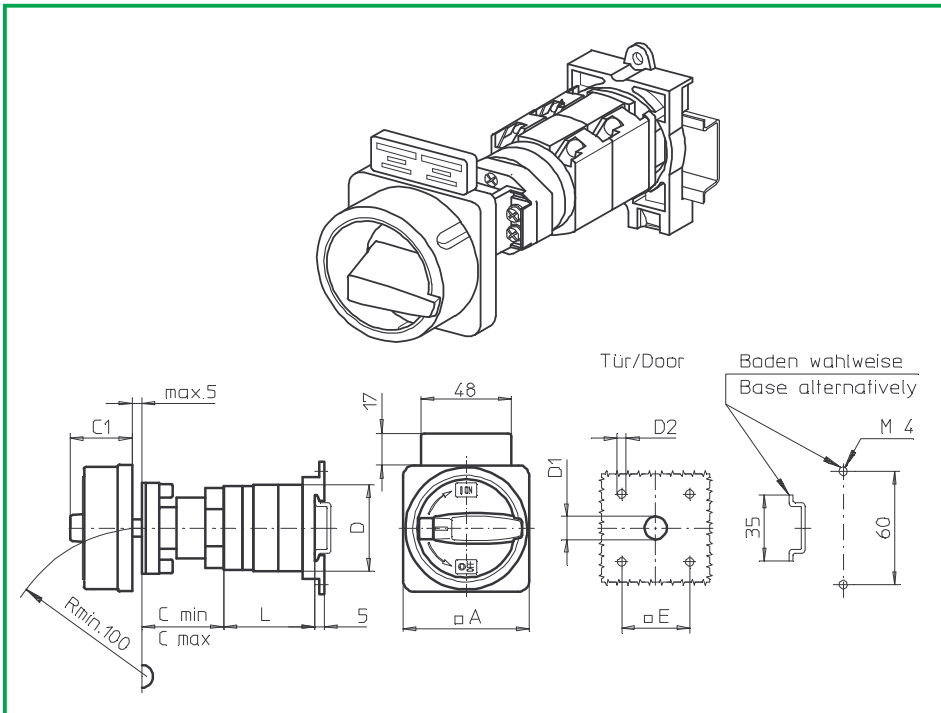
Product line
P200

Base mounting switch

Door interlock
Modular shaft extension

Four hole mounting
36 x 36 mm front
Snap mounting base plate

234M1 (IP66)
234M4 (IP66)



Complete switch	Poles	Product line	Rated data (IEC 60947)			Order code number							
			Operational current I _e	Operational power at 380–440 V									
			AC-21A A	AC-23A kW	AC-3 kW								
Main Switches Switching angle 90° OFF position padlockable 09h	1 ... 24	P200	20 25	7,5 11	5,5 7,5	P220 - 61 ... - 234M1 P225 - 61 ... - 234M1							
Main/Emergency-Off Switches Switching angle 90° OFF position padlockable 09h	1 ... 24	P200	20 25	7,5 11	5,5 7,5	P220 - 61 ... - 234M4 P225 - 61 ... - 234M4							
SMD modules for basic switch A02													
Mounting form module for 234M.			P200			BFC2 - 234							
M-padlock device 67 x 67 mm, mounting form 234M1 Escutcheon black, padlockable handle black						2CM1							
M-padlock device 67 x 67 mm, mounting form 234M4 Escutcheon yellow, padlockable handle red						2CM4							
Additional top escutcheon plate						FAZZ - 8041							
Dimensions (mm)													
Type	A	Cmin	Cmax	C1	D	D1	D2	E	L with ... stages (max. 12)				each add. stage
P220	67	42	57	38	44	15	4,5	36	1	2	3	4	13
P221	67	42	57	38	44	15	4,5	36	43,5	60	76,5	93	16,5
P225	67	42	57	38	46	15	4,5	36	42	57	72	87	15
P226	67	42	57	38	46	15	4,5	36	45,5	64	82,5	101	18,5

Base Mounting Switches

sälzer

Product line
P200

Base mounting switch

Door interlock

Modular shaft extension

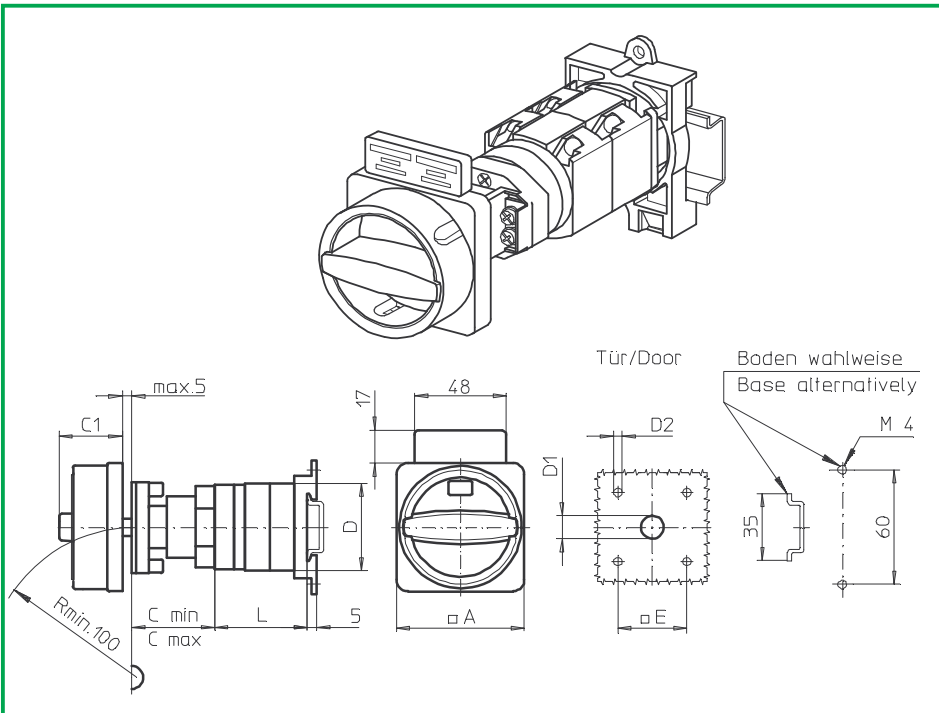
Four hole mounting

36 x 36 mm front

Snap mounting base plate

234N1 (IP66)

234N4 (IP66)



Complete switch	Poles	Product line	Rated data (IEC 60947)			Order code number
			Operational current I _e	Operational power at 380–440 V		
			AC-21A A	AC-23A kW	AC-3 kW	
Main Switches Switching angle 90° OFF position padlockable 09h	1 ... 24	P200	20 25	7,5 11	5,5 7,5	P220 - 61 ... - 234N1 P225 - 61 ... - 234N1
Main/Emergency-Off Switches Switching angle 90° OFF position padlockable 09h	1 ... 24	P200	20 25	7,5 11	5,5 7,5	P220 - 61 ... - 234N4 P225 - 61 ... - 234N4

SMD modules for basic switch A02			
Mounting form module for 234N.		P200	BFC2 - 234
N-padlock device 67 x 67 mm, mounting form 234N1 Escutcheon black, padlockable handle black			2CN1
N-padlock device 67 x 67 mm, mounting form 234N4 Escutcheon yellow, padlockable handle red			2CN4
Additional top escutcheon plate			FAZZ - 8041

Dimensions (mm)													
Type	A	C _{min}	C _{max}	C1	D	D1	D2	E	L with ... stages (max. 12)				each add. stage
									1	2	3	4	
P220	67	42	57	33	44	15	4,5	36	40	53	66	79	13
P221	67	42	57	33	44	15	4,5	36	43,5	60	76,5	93	16,5
P225	67	42	57	33	46	15	4,5	36	42	57	72	87	15
P226	67	42	57	33	46	15	4,5	36	45,5	64	82,5	101	18,5

Base Mounting Switches

sälzer

Product line
P200

Base mounting switch

Door interlock

Modular shaft extension

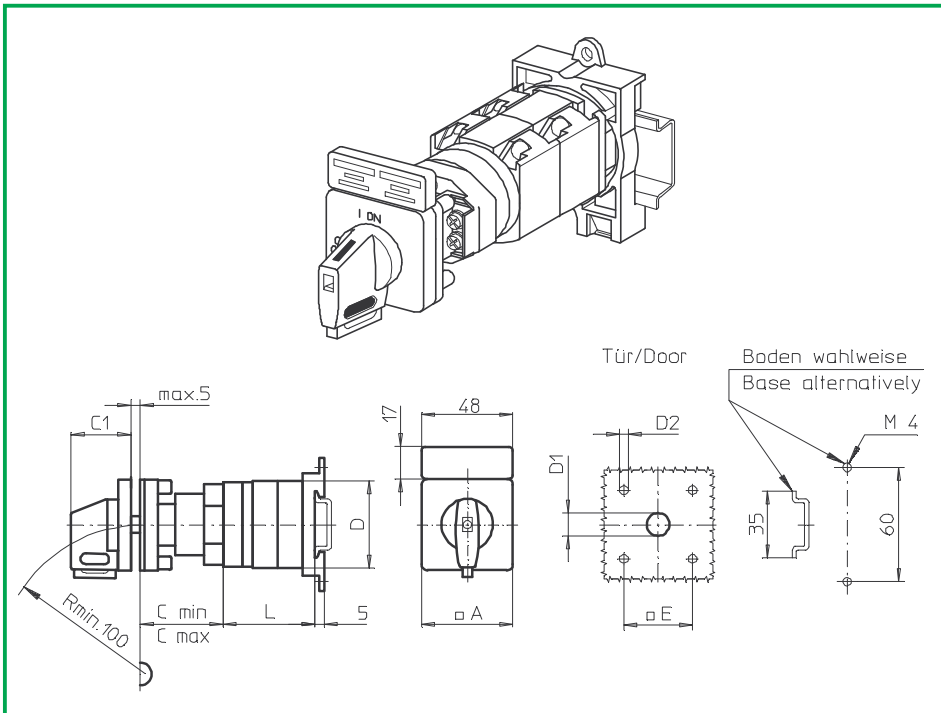
Four hole mounting

36 x 36 mm front

Snap mounting base plate

234V1 (IP66)

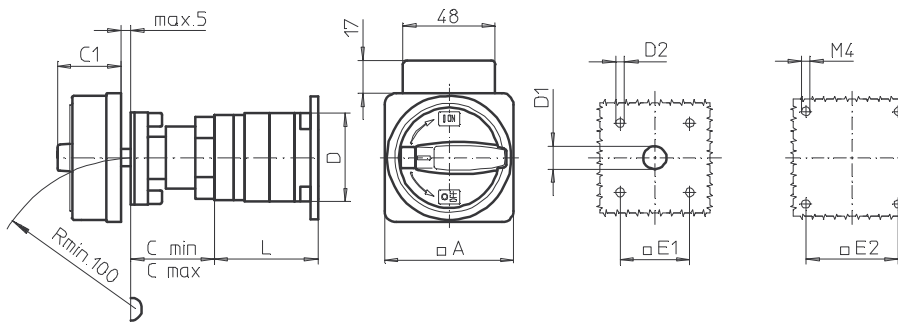
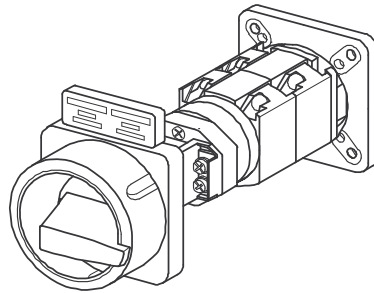
234V4 (IP66)



Complete switch	Poles	Product line	Rated data (IEC 60947)			Order code number							
			Operational current I _e	Operational power at 380–440 V									
			AC-21A A	AC-23A kW	AC-3 kW								
Main Switches Switching angle 90° OFF position padlockable 09h	1 ... 24	P200	20 25	7,5 11	5,5 7,5	P220 - 61 ... - 234V1 P225 - 61 ... - 234V1							
Main/Emergency-Off Switches Switching angle 90° OFF position padlockable 09h	1 ... 24	P200	20 25	7,5 11	5,5 7,5	P220 - 61 ... - 234V4 P225 - 61 ... - 234V4							
SMD modules for basic switch A02													
Mounting form module for 234V.			P200			BFB2 - 242							
V-operator module 48 x 48 mm, mounting form 234V1 Escutcheon black, handle black Legend plate silver, operator module 234V1						2AV1 - 09 FAS2 - 9078							
V-operator module 48 x 48 mm, mounting form 234V4 Escutcheon black, handle red Legend plate yellow, operator module 234V4 Additional top escutcheon plate						2AV4 - 09 FBS2 - 9078 FAZ2 - 8041							
Dimensions (mm)													
Type	A	C_{min}	C_{max}	C1	D	D1	D2	E	L with ... stages (max. 12)				each add. stage
P220	48	42	57	32	44	12	4,5	36	1	2	3	4	13
P221	48	42	57	32	44	12	4,5	36	43,5	60	76,5	93	16,5
P225	48	42	57	32	46	12	4,5	36	42	57	72	87	15
P226	48	42	57	32	46	12	4,5	36	45,5	64	82,5	101	18,5

Base Mounting Switches

sälzer



Product line
P200

Base mounting switch

Door interlock
Modular shaft extension

Four hole mounting
36 x 36 mm front
48 x 48 mm base

034M1 (IP66)
034M4 (IP66)

Complete switch	Poles	Product line	Rated data (IEC 60947)			Order code number
			Operational current I _e	Operational power at 380–440 V		
			AC-21A A	AC-23A kW	AC-3 kW	
Main Switches Switching angle 90° OFF position padlockable 09h	1 ... 24	P200	20 25	7,5 11	5,5 7,5	P220 - 61 ... - 034M1 P225 - 61 ... - 034M1
Main/Emergency-Off Switches Switching angle 90° OFF position padlockable 09h	1 ... 24	P200	20 25	7,5 11	5,5 7,5	P220 - 61 ... - 034M4 P225 - 61 ... - 034M4

SMD modules for basic switch A02

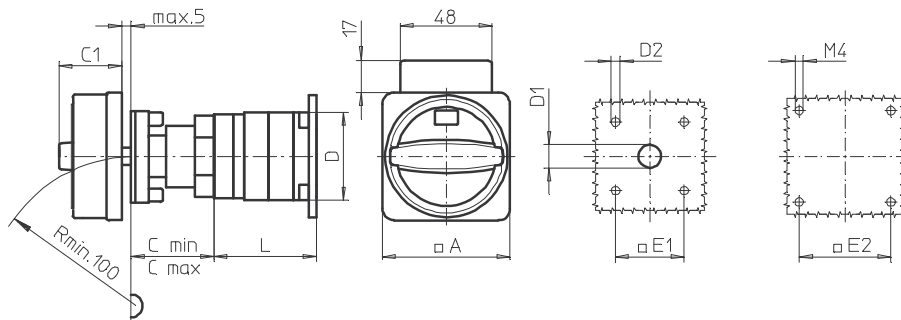
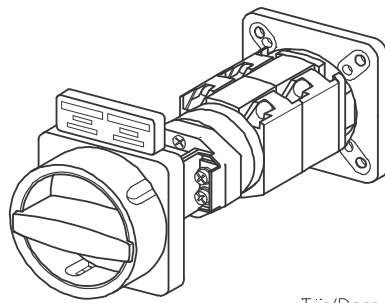
Mounting form module for 034M.	P200	BFC2 - 034
M-padlock device 67 x 67 mm, mounting form 034M1 Escutcheon black, padlockable handle black		2CM1
M-padlock device 67 x 67 mm, mounting form 034M4 Escutcheon yellow, padlockable handle red		2CM4
Additional top escutcheon plate		FAZZ - 8041

Dimensions (mm)

Type	A	C _{min}	C _{max}	C1	D	D1	D2	E1	E2	L with ... stages (max. 12) each add.			stage
										1	2	3	
P220	67	42	57	38	44	15	4,5	36	48	41	54	67	13
P221	67	42	57	38	44	15	4,5	36	48	44,5	61	77,5	16,5
P225	67	42	57	38	46	15	4,5	36	48	43	58	73	15
P226	67	42	57	38	46	15	4,5	36	48	46,5	65	83,5	18,5

Base Mounting Switches

sälzer



Product line
P200

Base mounting switch

Door interlock
Modular shaft extension

Four hole mounting
36 x 36 mm front
48 x 48 mm base

034N1 (IP66)
034N4 (IP66)

Complete switch	Poles	Product line	Rated data (IEC 60947)			Order code number							
			Operational current I _e	Operational power at 380–440 V									
			AC-21A A	AC-23A kW	AC-3 kW								
Main Switches Switching angle 90° OFF position padlockable 09h	1 ... 24	P200	20 25	7,5 11	5,5 7,5	P220 - 61 ... - 034N1 P225 - 61 ... - 034N1							
Main/Emergency-Off Switches Switching angle 90° OFF position padlockable 09h	1 ... 24	P200	20 25	7,5 11	5,5 7,5	P220 - 61 ... - 034N4 P225 - 61 ... - 034N4							
SMD modules for basic switch A02													
Mounting form module for 034N.			P200			BFC2 - 034							
N-padlock device 67 x 67 mm, mounting form 034N1 Escutcheon black, padlockable handle black						2CN1							
N-padlock device 67 x 67 mm, mounting form 034N4 Escutcheon yellow, padlockable handle red						2CN4							
Additional top escutcheon plate						FAZZ - 8041							
Dimensions (mm)													
Type	A	C_{min}	C_{max}	C1	D	D1	D2	E1	E2	L with ... stages (max. 12) each add.			
										1	2	3	stage
P220	67	42	57	33	44	15	4,5	36	48	41	54	67	13
P221	67	42	57	33	44	15	4,5	36	48	44,5	61	77,5	16,5
P225	67	42	57	33	46	15	4,5	36	48	43	58	73	15
P226	67	42	57	33	46	15	4,5	36	48	46,5	65	83,5	18,5

Base Mounting Switches

sälzer

**Product line
P200**

Base mounting switch

Door interlock

Modular shaft extension

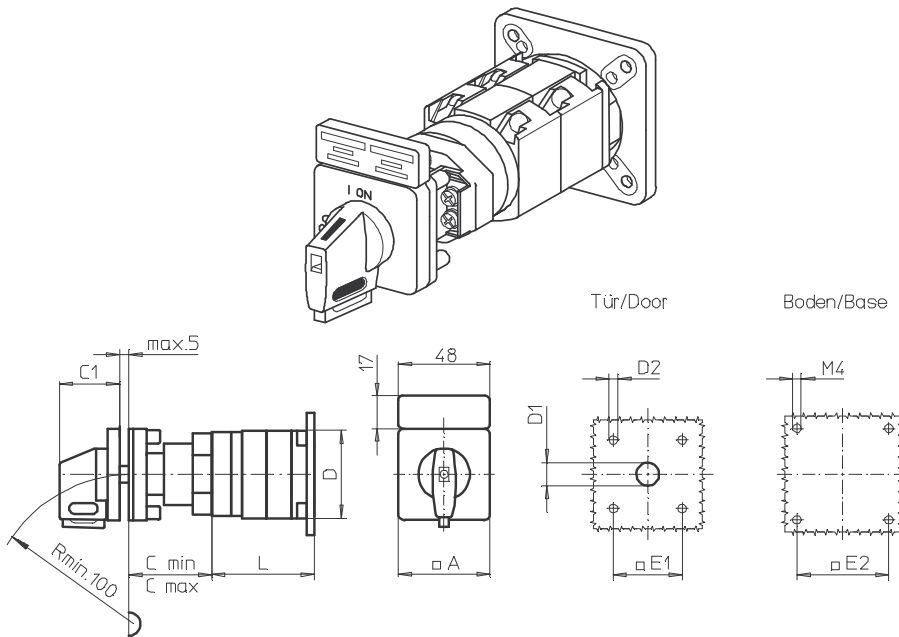
Four hole mounting

36 x 36 mm front

48 x 48 mm base

034V1 (IP66)

034V4 (IP66)



Complete switch	Poles	Product line	Rated data (IEC 60947)			Order code number
			Operational current I _e	Operational power at 380–440 V		
			AC-21A A	AC-23A kW	AC-3 kW	
Main Switches Switching angle 90° OFF position padlockable 09h	1 ... 24	P200	20	7,5	5,5	P220 - 61 ... - 034V1
			25	11	7,5	P225 - 61 ... - 034V1
Main/Emergency-Off Switches Switching angle 90° OFF position padlockable 09h	1 ... 24	P200	20	7,5	5,5	P220 - 61 ... - 034V4
			25	11	7,5	P225 - 61 ... - 034V4

SMD modules for basic switch A02

Mounting form module for 034V.	P200	BFB2 - 042
V-operator module 48 x 48 mm, mounting form 034V1 Escutcheon black, handle black Legend plate silver, operator module 034V1		2AV1 - 09 FAS2 - 9078
V-operator module 48 x 48 mm, mounting form 034V4 Escutcheon black, handle red Legend plate yellow, operator module 034V4		2AV4 - 09 FBS2 - 9078
Additional top escutcheon plate		FAZ2 - 8041

Dimensions (mm)

Type	A	C _{min}	C _{max}	C1	D	D1	D2	E1	E2	L with ... stages (max. 12) each add.			
										1	2	3	stage
P220	48	42	57	32	44	12	4,5	36	48	41	54	67	13
P221	48	42	57	32	44	12	4,5	36	48	44,5	61	77,5	16,5
P225	48	42	57	32	46	12	4,5	36	48	43	58	73	15
P226	48	42	57	32	46	12	4,5	36	48	46,5	65	83,5	18,5

Base Mounting Switches

sälzer

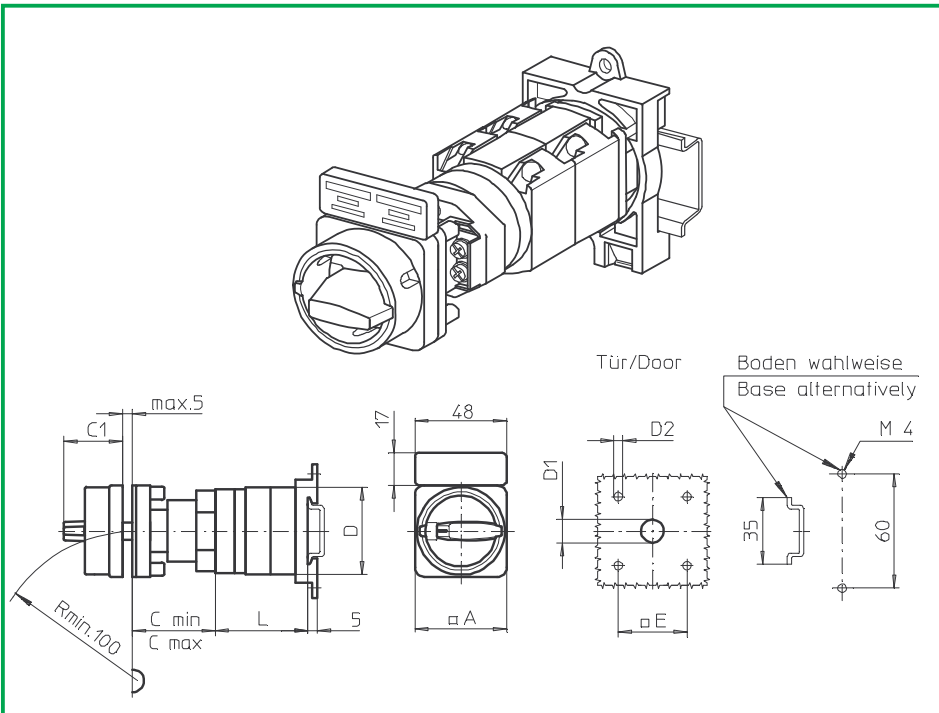
Product line
P200

Base mounting switch

Door interlock
Modular shaft extension

Four hole mounting
36 x 36 mm front
Snap mounting base plate

235M1 (IP66)
235M4 (IP66)



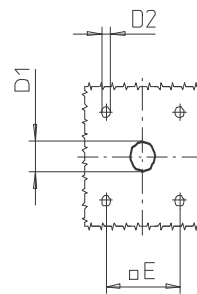
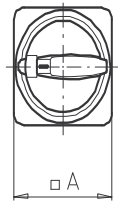
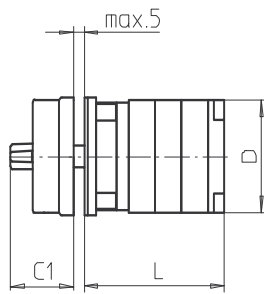
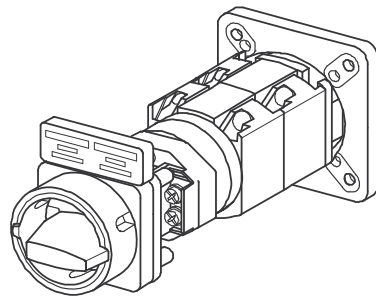
Complete switch	Poles	Product line	Rated data (IEC 60947)			Order code number
			Operational current I _e	Operational power at 380–440 V		
			AC-21A A	AC-23A kW	AC-3 kW	
Main Switches Switching angle 90° OFF position padlockable 09h	1 ... 24	P200	20	7,5	5,5	P220 - 61 ... - 235M1
			25	11	7,5	P225 - 61 ... - 235M1
Main/Emergency-Off Switches Switching angle 90° OFF position padlockable 09h	1 ... 24	P200	20	7,5	5,5	P220 - 61 ... - 235M4
			25	11	7,5	P225 - 61 ... - 235M4

SMD modules for basic switch A02			
Mounting form module for 235M.		P200	BFB2 - 242
M-padlock device 48 x 48 mm, mounting form 235M1 Escutcheon black, padlockable handle black			2BM1
M-padlock device 48 x 48 mm, mounting form 235M4 Escutcheon yellow, padlockable handle red			2BM4
Additional top escutcheon plate			FAZ2 - 8041

Dimensions (mm)													
Type	A	C _{min}	C _{max}	C ₁	D	D ₁	D ₂	E	L with ... stages (max. 12)				each add. stage
									1	2	3	4	
P220	48	42	57	31	44	12	4,5	36	40	53	66	79	13
P221	48	42	57	31	44	12	4,5	36	43,5	60	76,5	93	16,5
P225	48	42	57	31	46	12	4,5	36	42	57	72	87	15
P226	48	42	57	31	46	12	4,5	36	45,5	64	82,5	101	18,5

Base Mounting Switches

sälzer



Product line
P200

Base mounting switch

Door interlock
Modular shaft extension

Four hole mounting
36 x 36 mm front
48 x 48 mm base

135M1 (IP66)
135M4 (IP66)

Complete switch	Poles	Product line	Rated data (IEC 60947)			Order code number
			Operational current I _e	Operational power at 380–440 V		
			AC-21A A	AC-23A kW	AC-3 kW	
Main Switches Switching angle 90° OFF position padlockable 09h	1 ... 24	P200	20	7,5	5,5	P220 - 61 ... - 135M1
			25	11	7,5	P225 - 61 ... - 135M1
Main/Emergency-Off Switches Switching angle 90° OFF position padlockable 09h	1 ... 24	P200	20	7,5	5,5	P220 - 61 ... - 135M4
			25	11	7,5	P225 - 61 ... - 135M4

SMD modules for basic switch A02			
Mounting form module for 135M.		P200	BFB2 - 042
M-padlock device 48 x 48 mm, mounting form 135M1 Escutcheon black, padlockable handle black			2BM1
M-padlock device 48 x 48 mm, mounting form 135M4 Escutcheon yellow, padlockable handle red			2BM4
Additional top escutcheon plate			FAZZ - 8041

Dimensions (mm)											L with ... stages (max. 12) each add.			
Type	A	C _{min}	C _{max}	C1	D	D1	D2	E1	E2		1	2	3	stage
P220	48	42	57	31	44	12	4,5	36	48		41	54	67	13
P221	48	42	57	31	44	12	4,5	36	48		44,5	61	77,5	16,5
P225	48	42	57	31	46	12	4,5	36	48		43	58	73	15
P226	48	42	57	31	46	12	4,5	36	48		46,5	65	83,5	18,5

Base Mounting Switches

sälzer

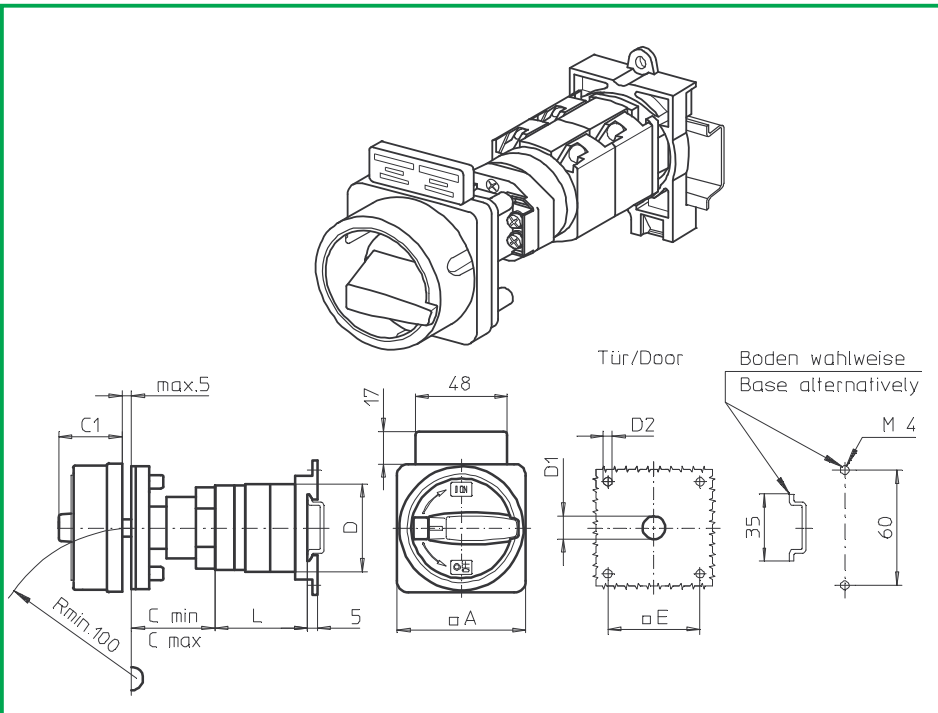
**Product line
P200**

Base mounting switch
Operator module of next size

Door interlock
Modular shaft extension

Four hole mounting
48 x 48 mm front
Snap mounting base plate

238M1 (IP66)
238M4 (IP66)



Complete switch	Poles	Product line	Rated data (IEC 60947)			Order code number
			Operational current I _e	Operational power at 380–440 V		
			AC-21A A	AC-23A kW	AC-3 kW	
Main Switches Switching angle 90° OFF position padlockable 09h	1 ... 24	P200	20 25	7,5 11	5,5 7,5	P220 - 61 ... - 238M1 P225 - 61 ... - 238M1
Main/Emergency-Off Switches Switching angle 90° OFF position padlockable 09h	1 ... 24	P200	20 25	7,5 11	5,5 7,5	P220 - 61 ... - 238M4 P225 - 61 ... - 238M4

SMD modules for basic switch A02			
Mounting form module for 238M.		P200	BFC2 - 238
M-padlock device 67 x 67 mm, mounting form 238M1 Escutcheon black, padlockable handle black			4BM1
M-padlock device 67 x 67 mm, mounting form 238M4 Escutcheon yellow, padlockable handle red			4BM4
Additional top escutcheon plate			FAZZ - 8041

Dimensions (mm)													
Type	A	C _{min}	C _{max}	C1	D	D1	D2	E	L with ... stages (max. 12)				each add. stage
									1	2	3	4	
P220	67	42	57	38	44	15	5	48	40	53	66	79	13
P221	67	42	57	38	44	15	5	48	43,5	60	76,5	93	16,5
P225	67	42	57	38	46	15	5	48	42	57	72	87	15
P226	67	42	57	38	46	15	5	48	45,5	64	82,5	101	18,5

Base Mounting Switches

sälzer

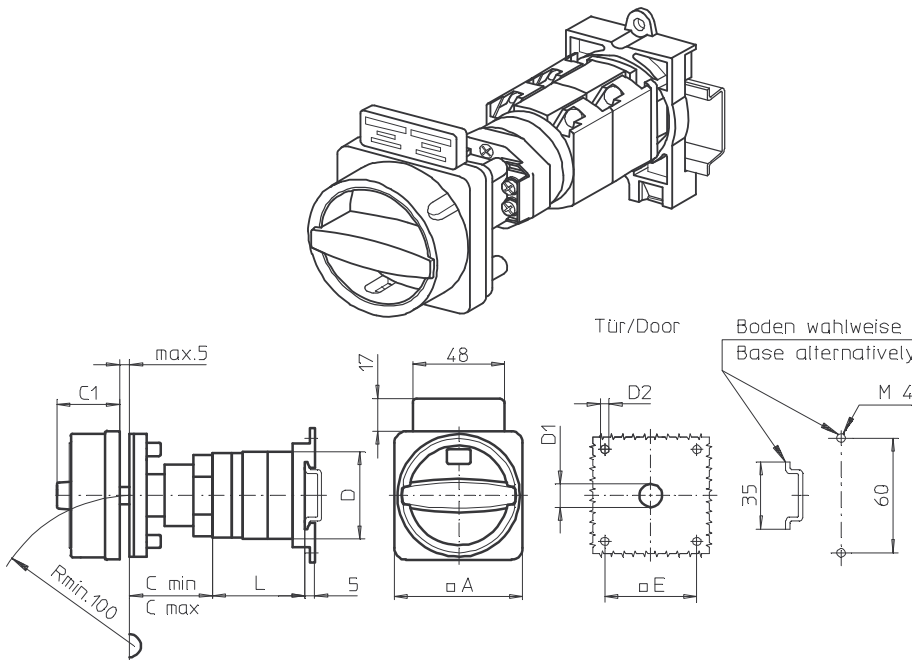
Product line
P200

Base mounting switch
Operator module of next size

Door interlock
Modular shaft extension

Four hole mounting
48 x 48 mm front
Snap mounting base plate

238N1 (IP66)
238N4 (IP66)



Complete switch	Poles	Product line	Rated data (IEC 60947)			Order code number							
			Operational current I _e	Operational power at 380–440 V									
			AC-21A A	AC-23A kW	AC-3 kW								
Main Switches Switching angle 90° OFF position padlockable 09h	1 ... 24	P200	20 25	7,5 11	5,5 7,5	P220 - 61 ... - 238N1 P225 - 61 ... - 238N1							
Main/Emergency-Off Switches Switching angle 90° OFF position padlockable 09h	1 ... 24	P200	20 25	7,5 11	5,5 7,5	P220 - 61 ... - 238N4 P225 - 61 ... - 238N4							
SMD modules for basic switch A02													
Mounting form module for 238N.			P200			BFC2 - 238							
N-padlock device 67 x 67 mm, mounting form 238N1 Escutcheon black, padlockable handle black						4BN1							
N-padlock device 67 x 67 mm, mounting form 238N4 Escutcheon yellow, padlockable handle red						4BN4							
Additional top escutcheon plate						FAZZ - 8041							
Dimensions (mm)													
Type	A	C _{min}	C _{max}	C ₁	D	D ₁	D ₂	E	L with ... stages (max. 12)				each add. stage
									1	2	3	4	
P220	67	42	57	33	44	15	5	48	40	53	66	79	13
P221	67	42	57	33	44	15	5	48	43,5	60	76,5	93	16,5
P225	67	42	57	33	46	15	5	48	42	57	72	87	15
P226	67	42	57	33	46	15	5	48	45,5	64	82,5	101	18,5

Base Mounting Switches

sälzer

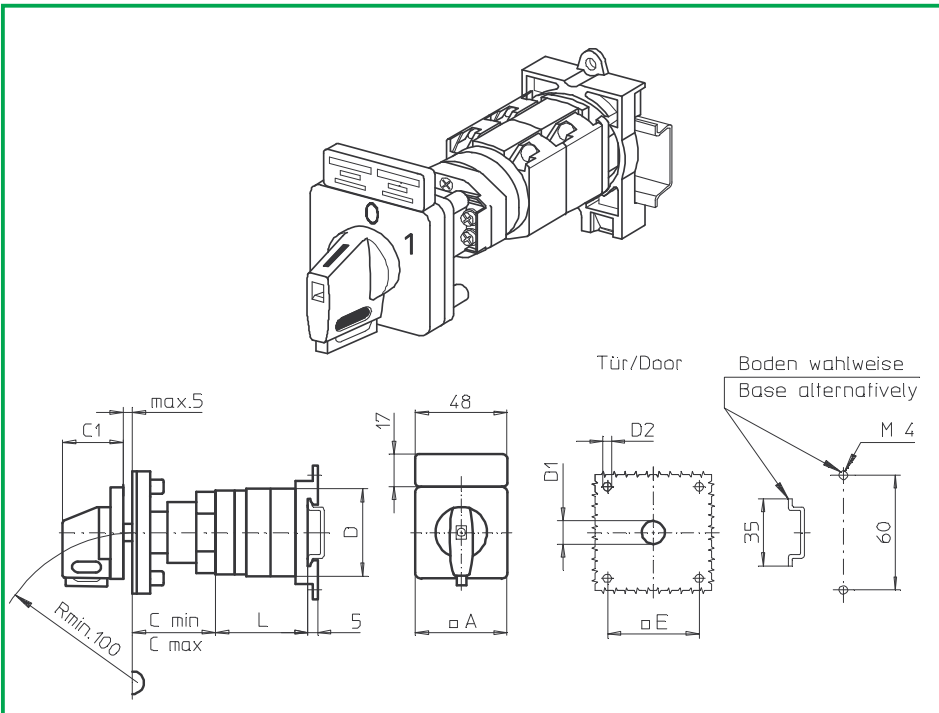
Product line
P200

Base mounting switch
Operator module of next size

Door interlock
Modular shaft extension

Four hole mounting
48 x 48 mm front
Snap mounting base plate

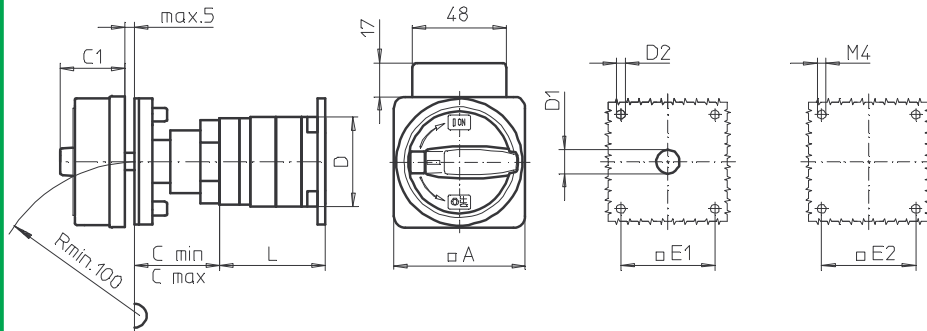
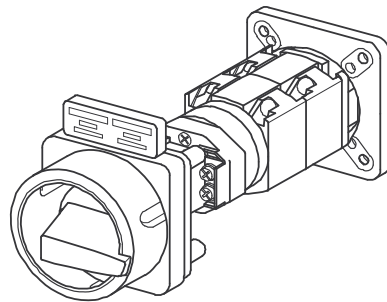
238V1 (IP66)
238V4 (IP66)



Complete switch	Poles	Product line	Rated data (IEC 60947)			Order code number							
			Operational current I _e	Operational power at 380–440 V									
			AC-21A A	AC-23A kW	AC-3 kW								
Main Switches Switching angle 90° OFF position padlockable 09h	1 ... 24	P200	20 25	7,5 11	5,5 7,5	P220 - 61 ... - 238V1 P225 - 61 ... - 238V1							
Main/Emergency-Off Switches Switching angle 90° OFF position padlockable 09h	1 ... 24	P200	20 25	7,5 11	5,5 7,5	P220 - 61 ... - 238V4 P225 - 61 ... - 238V4							
SMD modules for basic switch A02													
Mounting form module for 238V.			P200			BFD2 - 248							
V-operator module 64 x 64 mm, mounting form 238V1 Escutcheon black, handle black Legend plate silver, operator module 238V1						4AV1 - 09 FAS4 - 9078							
V-operator module 64 x 64 mm, mounting form 238V4 Escutcheon black, handle red Legend plate yellow, operator module 238V4 Additional top escutcheon plate						4AV4 - 09 FBS4 - 9078 FAZ2 - 8041							
Dimensions (mm)													
Type	A	C _{min}	C _{max}	C ₁	D	D ₁	D ₂	E	L with ... stages (max. 12)				each add. stage
									1	2	3	4	
P220	64	42	57	39	44	15	5	48	40	53	66	79	13
P221	64	42	57	39	44	15	5	48	43,5	60	76,5	93	16,5
P225	64	42	57	39	46	15	5	48	42	57	72	87	15
P226	64	42	57	39	46	15	5	48	45,5	64	82,5	101	18,5

Base Mounting Switches

sälzer



Product line
P200

Base mounting switch
Operator module of next size

Door interlock
Modular shaft extension

Four hole mounting
48 x 48 mm front
48 x 48 mm base

038M1 (IP66)
038M4 (IP66)

Complete switch	Poles	Product line	Rated data (IEC 60947)			Order code number
			Operational current I _e	Operational power at 380–440 V		
			AC-21A A	AC-23A kW	AC-3 kW	
Main Switches Switching angle 90° OFF position padlockable 09h	1 ... 24	P200	20	7,5	5,5	P220 - 61 ... - 038M1
			25	11	7,5	P225 - 61 ... - 038M1
Main/Emergency-Off Switches Switching angle 90° OFF position padlockable 09h	1 ... 24	P200	20	7,5	5,5	P220 - 61 ... - 038M4
			25	11	7,5	P225 - 61 ... - 038M4

SMD modules for basic switch A02

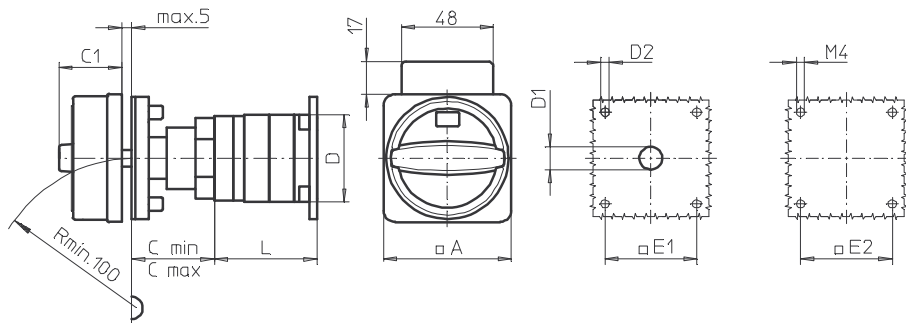
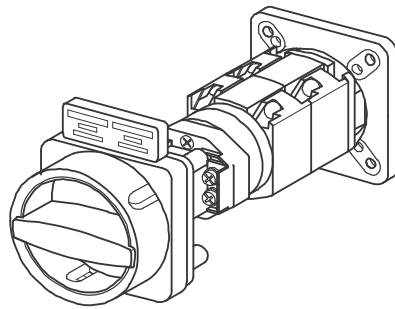
Mounting form module for 038M.	P200	BFC2 - 038
M-padlock device 67 x 67 mm, mounting form 038M1 Escutcheon black, padlockable handle black		4BM1
M-padlock device 67 x 67 mm, mounting form 038M4 Escutcheon yellow, padlockable handle red		4BM4
Additional top escutcheon plate		FAZZ - 8041

Dimensions (mm)

Type	A	C _{min}	C _{max}	C1	D	D1	D2	E1	E2	L with ... stages (max. 12) each add.			
										1	2	3	stage
P220	67	42	57	38	44	15	5	48	48	41	54	67	13
P221	67	42	57	38	44	15	5	48	48	44,5	61	77,5	16,5
P225	67	42	57	38	46	15	5	48	48	43	58	73	15
P226	67	42	57	38	46	15	5	48	48	46,5	65	83,5	18,5

Base Mounting Switches

sälzer



Product line
P200

Base mounting switch
Operator module of next size

Door interlock
Modular shaft extension

Four hole mounting
48 x 48 mm front
48 x 48 mm base

038N1 (IP66)
038N4 (IP66)

Complete switch	Poles	Product line	Rated data (IEC 60947)			Order code number							
			Operational current I _e	Operational power at 380–440 V									
			AC-21A A	AC-23A kW	AC-3 kW								
Main Switches Switching angle 90° OFF position padlockable 09h	1 ... 24	P200	20	7,5	5,5	P220 - 61 ... - 038N1							
			25	11	7,5	P225 - 61 ... - 038N1							
Main/Emergency-Off Switches Switching angle 90° OFF position padlockable 09h	1 ... 24	P200	20	7,5	5,5	P220 - 61 ... - 038N4							
			25	11	7,5	P225 - 61 ... - 038N4							
SMD modules for basic switch A02													
Mounting form module for 038N.			P200			BFC2 - 038							
N-padlock device 67 x 67 mm, mounting form 038N1 Escutcheon black, padlockable handle black						4BN1							
N-padlock device 67 x 67 mm, mounting form 038N4 Escutcheon yellow, padlockable handle red						4BN4							
Additional top escutcheon plate						FAZZ - 8041							
Dimensions (mm)													
Type	A	C _{min}	C _{max}	C1	D	D1	D2	E1	E2	L with ... stages (max. 12)			each add. stage
										1	2	3	
P220	67	42	57	32	44	15	5	48	48	41	54	67	13
P221	67	42	57	32	44	15	5	48	48	44,5	61	77,5	16,5
P225	67	42	57	32	46	15	5	48	48	43	58	73	15
P226	67	42	57	32	46	15	5	48	48	46,5	65	83,5	18,5

Base Mounting Switches

sälzer

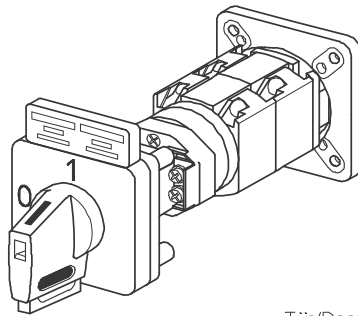
Product line
P200

Base mounting switch
Operator module of next size

Door interlock
Modular shaft extension

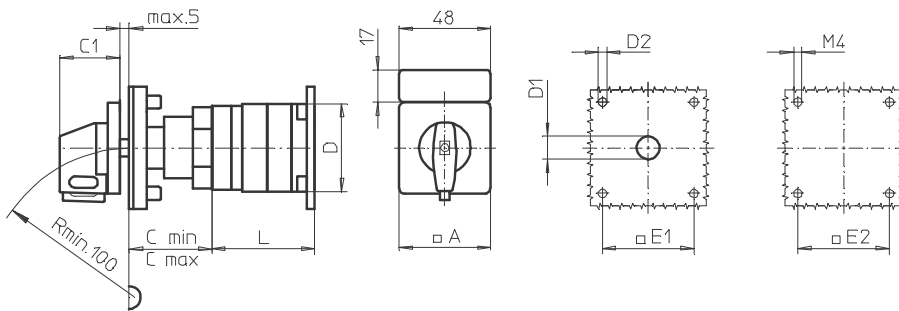
Four hole mounting
48 x 48 mm front
48 x 48 mm base

038V1 (IP66)
038V4 (IP66)



Tür/Door

Boden/Base



Complete switch	Poles	Product line	Rated data (IEC 60947)			Order code number
			Operational current I _e	Operational power at 380–440 V		
			AC-21A A	AC-23A kW	AC-3 kW	
Main Switches Switching angle 90° OFF position padlockable 09h	1 ... 24	P200	20 25	7,5 11	5,5 7,5	P220 - 61 ... - 038V1 P225 - 61 ... - 038V1
Main/Emergency-Off Switches Switching angle 90° OFF position padlockable 09h	1 ... 24	P200	20 25	7,5 11	5,5 7,5	P220 - 61 ... - 038V4 P225 - 61 ... - 038V4

SMD modules for basic switch A02

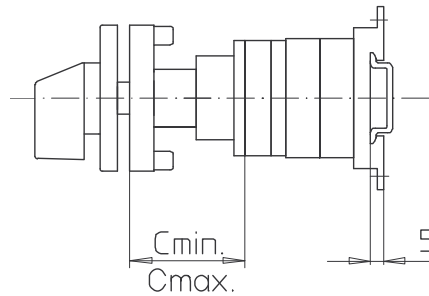
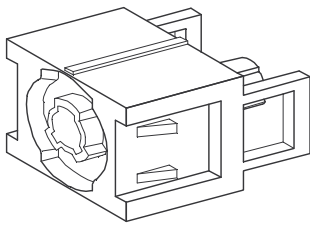
Mounting form module for 038V.	P200	BFD2 - 048
V-operator module 64 x 64 mm, mounting form 038V1 Escutcheon black, handle black Legend plate silver, operator module 038V1		4AV1 - 09 FAS4 - 9078
V-operator module 64 x 64 mm, mounting form 038V4 Escutcheon black, handle red Legend plate yellow, operator module 038V4 Additional top escutcheon plate		4AV4 - 09 FBS4 - 9078 FAZ2 - 8041

Dimensions (mm)

Type	A	C _{min}	C _{max}	C ₁	D	D ₁	D ₂	E ₁	E ₂	L with ... stages (max. 12) each add.			
										1	2	3	stage
P220	64	42	57	39	44	15	5	48	48	41	54	67	13
P221	64	42	57	39	44	15	5	48	48	44,5	61	77,5	16,5
P225	64	42	57	39	46	15	5	48	48	43	58	73	15
P226	64	42	57	39	46	15	5	48	48	46,5	65	83,5	18,5

Base mounting switch

sälzer



**Product line
P200**

Base mounting switch

Door interlock
Modular shaft extension

Four hole mounting
front

AVC2 - .

Modular shaft extensions for use with door interlock

Dimension C_{min}, C_{max}

Dimension	C _{min}	C _{max}	No.	Order code number
0	42 mm	57 mm	-	-
1	64 mm	82 mm	1	AVC2 - 1
2	89 mm	107 mm	1	AVC2 - 2
3	114 mm	132 mm	1	AVC2 - 3
4	139 mm	157 mm	1	AVC2 - 4
5	164 mm	182 mm	1	AVC2 - 5
6	189 mm	207 mm	1	AVC2 - 6



Section C

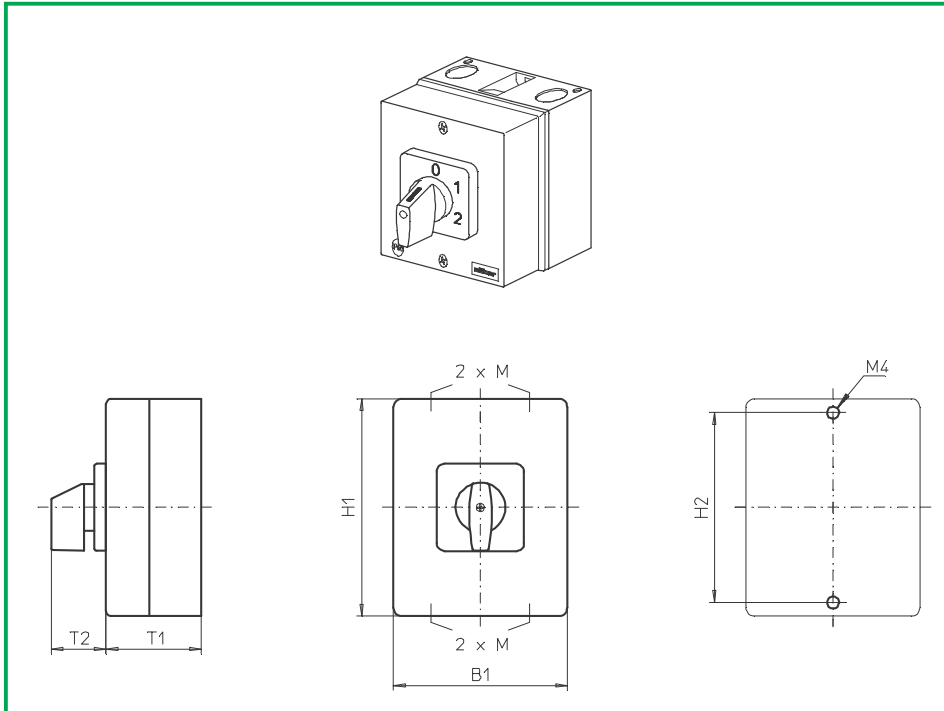
Insulated Enclosures

Page	
from	to
C1-1	C1-11

Originator: Sälzer Electric GmbH · Product Data Management (PDM) · 09306 Rochlitz (Germany)
Copyright reserved by Sälzer Electric GmbH. This document replaces all previous issues.
Valid until a new version is published. Changes and revisions reserved.

Enclosed Switches

sälzer



Product lines
P200

Enclosed switches

Insulated enclosure
100 x 80 x 65 mm

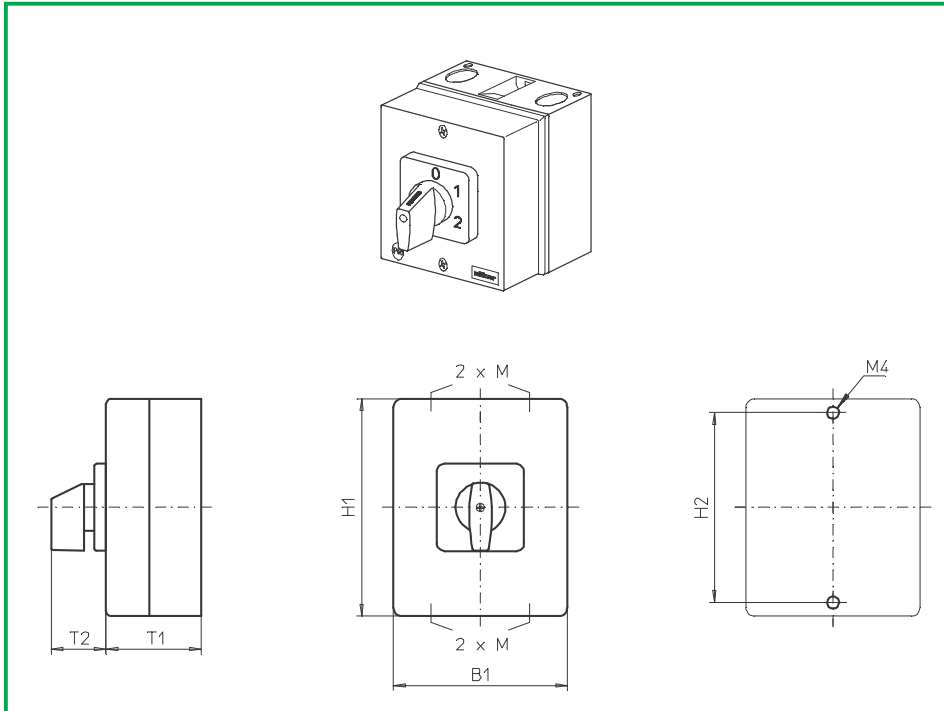
Cable entries
4 x M20

076M1 (IP66)

Complete switch	Poles	Product line	Rated data (IEC 60947)			Order code number
			Operational current I_e	Operational power at 380–440 V		
			AC-21A A	AC-23A kW	AC-3 kW	
Rotary Cam Switches Switching angle 30°/45°/60°/90°	1 ... 2	P200	20	7,5	5,5	P220 - 61 ... - 076M1
SMD modules for basic switch A02						
Mounting form module for 076M1, 1 contact stage			P220			BFG2 - EA
Mounting form module for 076M1						PAM2 - 076M1
Legend plate silver, enclosure module 076M1						FAS2 - (FA number)
Dimensions (mm)						
Type	H1	B1	T1	T2	2xM	H2
P220	100	80	65	32	20	90

Enclosed Switches

sälzer



Product lines
P200

Enclosed switches

Insulated enclosure
100 x 80 x 85 mm

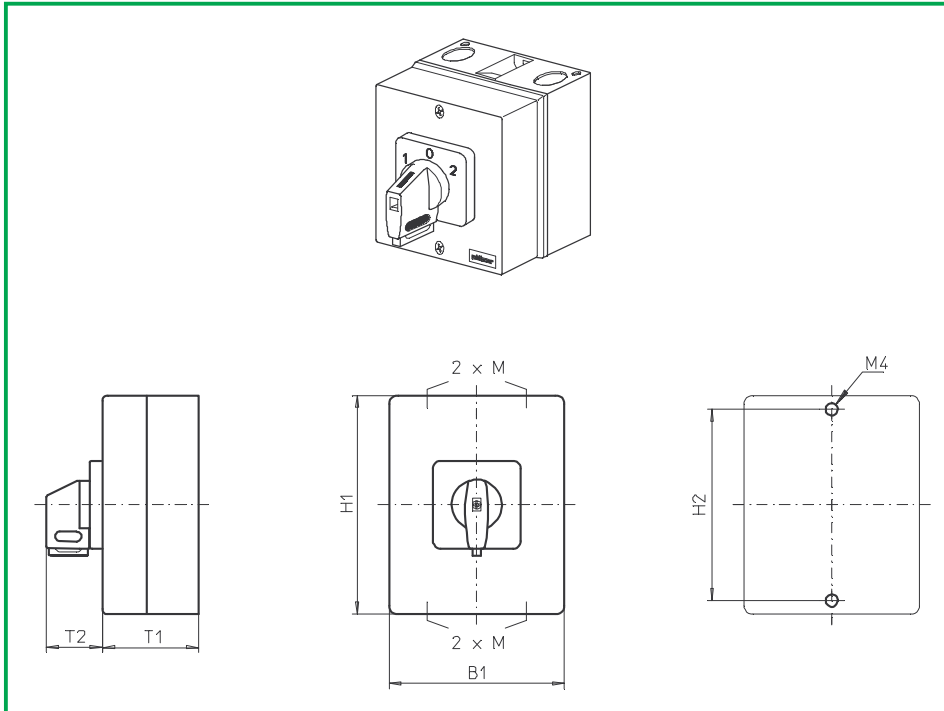
Cable entries
4 x M20

176M1 (IP66)

Complete switch	Poles	Product line	Rated data (IEC 60947)			Order code number
			Operational current I_e	Operational power at 380–440 V		
			AC-21A A	AC-23A kW	AC-3 kW	
Rotary Cam Switches Switching angle 30°/45°/60°/90°	3 ... 6	P200	20	7,5	5,5	P220 - 61 ... - 176M1
SMD modules for basic switch A02						
Mounting form module for 176M1, 2 contact stages			P220			BFH2 - EA
Mounting form module for 176M1, 3 contact stages						BFF2 - EA
Mounting form module for 176M1						PAM2 - 176M1
Legend plate silver, enclosure module 176M1						FAS2 - (FA number)
Dimensions (mm)						
Type	H1	B1	T1	T2	2xM	H2
P220	100	80	85	32	20	90

Enclosed Switches

sälzer



Product lines
P200

Enclosed switches

Insulated enclosure
100 x 80 x 65 mm

Cable entries
4 x M20

076V1 (IP66)
078V1 (IP66)

Complete switch	Poles	Product line	Rated data (IEC 60947)			Order code number
			Operational current I _e	Operational power at 380–440 V		
			AC-21A A	AC-23A kW	AC-3 kW	
Rotary Cam Switches Switching angle 30°/45°/60°/90° Padlockable 12h	1 ... 2	P200	20	7,5	5,5	P220 - 61 ... - 076V1
Rotary Cam Switches Switching angle 90° 3 positions padlockable (09h/12h/03h)	1 ... 2	P200	20	7,5	5,5	P220 - 61 ... - 078V1
SMD modules for basic switch A02						
Mounting form module for 076V1/ 078V1, 1 contact stage			P220			BFG2 - EA
Mounting form module for 076V1						PAM2 - 076V1
Mounting form module for 078V1						PAM2 - 078V1
Legend plate silver, enclosure modules 076V1/ 078V1						FAS2 - (FA number)
Dimensions (mm)						
Type	H1	B1	T1	T2	2xM	H2
P220	100	80	65	32	20	90

Enclosed Switches

sälzer

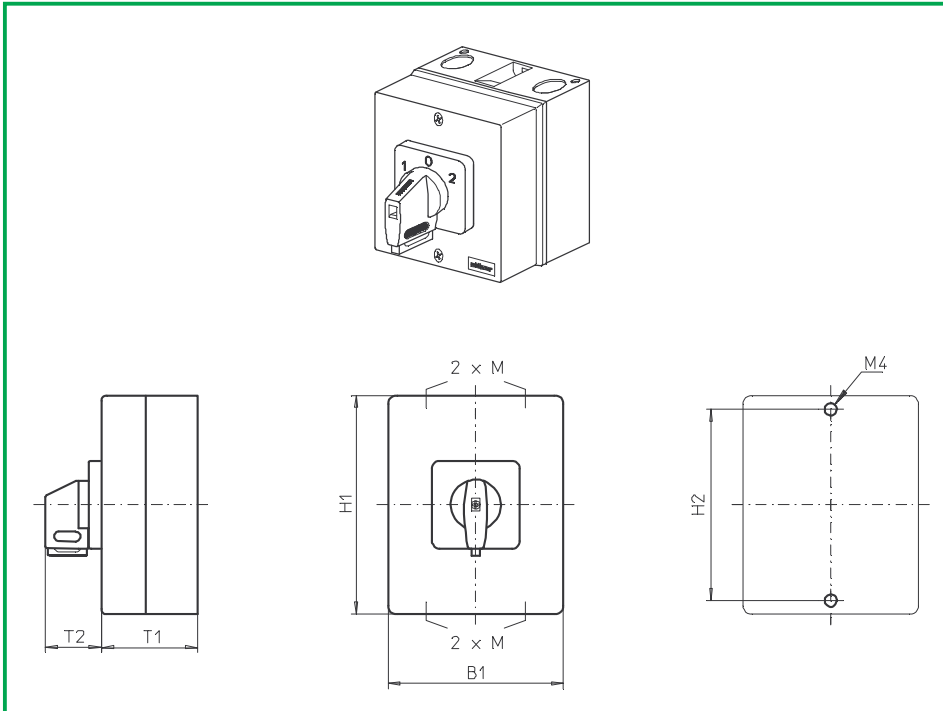
Product lines
P200

Enclosed switches

Insulated enclosure
100 x 80 x 85 mm

Cable entries
4 x M20

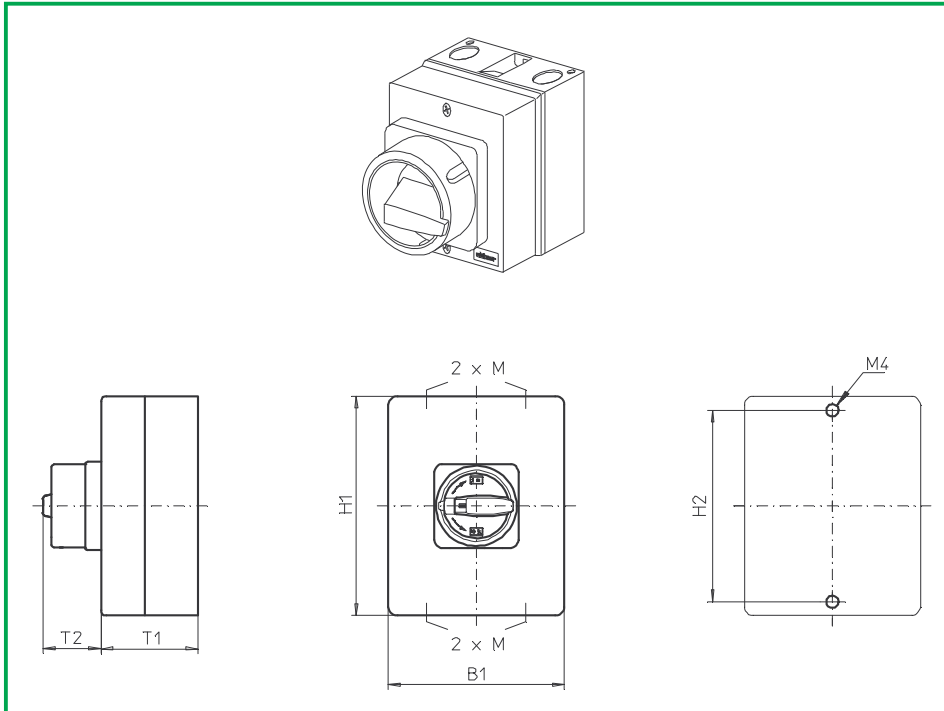
176V1 (IP66)
178V1 (IP66)



Complete switch	Poles	Product line	Rated data (IEC 60947)			Order code number
			Operational current I _e AC-21A A	Operational power at 380–440 V AC-23A kW	AC-3 kW	
Rotary Cam Switches Switching angle 30°/45°/60°/90° Padlockable 12h	3 ... 6	P200	20	7,5	5,5	P220 - 61 ... - 176V1
Rotary Cam Switches Switching angle 90° 3 positions padlockable (09h/12h/03h)	3 ... 6	P200	20	7,5	5,5	P220 - 61 ... - 178V1
SMD modules for basic switch A02						
Mounting form module for 176V1/ 178V1, 2 contact stages			P220			BFH2 - EA
Mounting form module for 176V1/ 178V1, 3 contact stages						BFF2 - EA
Mounting form module for 176V1						PAM2 - 176V1
Mounting form module for 178V1						PAM2 - 178V1
Legend plate silver, enclosure modules 176V1/ 178V1						FAS2 - (FA number)
Dimensions (mm)						
Type	H1	B1	T1	T2	2xM	H2
P220	100	80	85	32	20	90

Enclosed Switches

sälzer



Product lines
P200

Enclosed switches

Insulated enclosure
100 x 80 x 65 mm

Cable entries
4 x M20

077M1 (IP66)

077M4 (IP66)

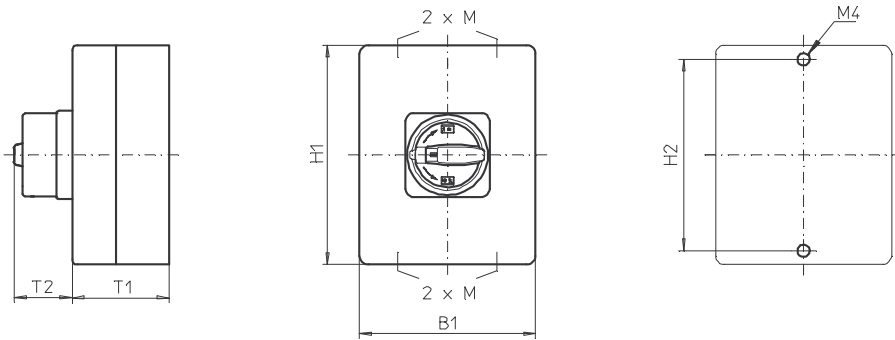
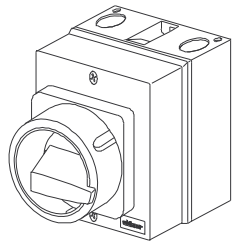
Complete switch	Poles	Product line	Rated data (IEC 60947)			Order code number
			Operational current I_e	Operational power at 380–440 V		
			AC-21A A	AC-23A kW	AC-3 kW	
Main Switches OFF position padlockable 09h	1 ... 2	P200	20	7,5	5,5	P220 - 61 ... - 077M1
Main/Emergency-Off Switches OFF position padlockable 09h	1 ... 2	P200	20	7,5	5,5	P220 - 61 ... - 077M4

SMD modules for basic switch A02						
Mounting form module for 077M., 1 contact stage				P220		BFG2 - EA
Mounting form module for 077M1						PAM2 - 077M1
Mounting form module for 077M4						PAM2 - 077M4

Dimensions (mm)						
Type	H1	B1	T1	T2	2xM	H2
P220	100	80	65	38	20	90

Enclosed Switches

sälzer



Product lines
P200

Enclosed switches

Insulated enclosure
100 x 80 x 85 mm

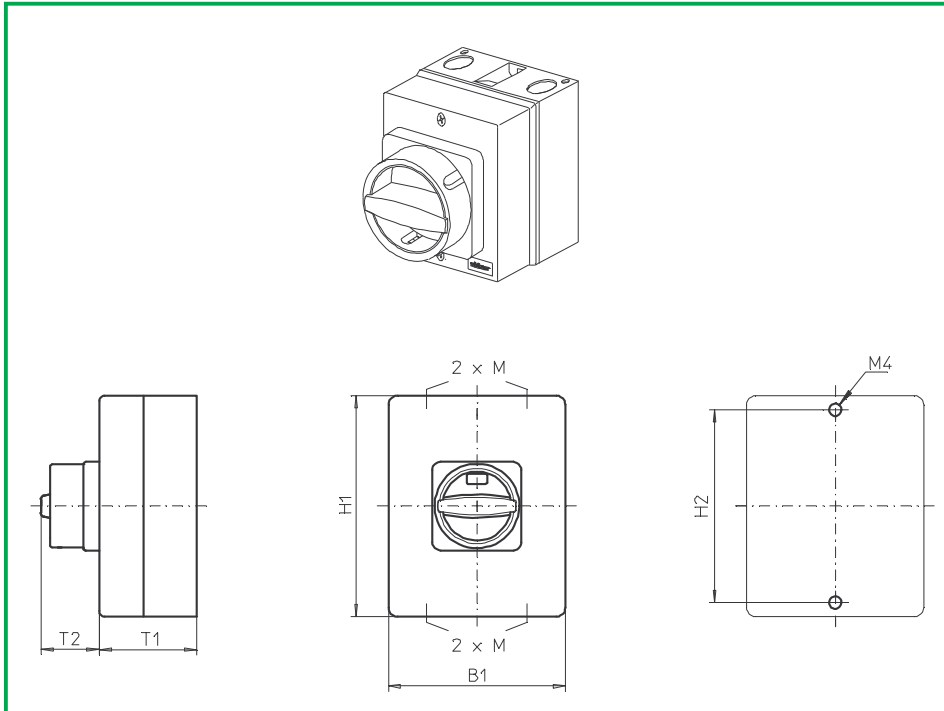
Cable entries
4 x M20

177M1 (IP66)
177M4 (IP66)

Complete switch	Poles	Product line	Rated data (IEC 60947)			Order code number
			Operational current I _e	Operational power at 380–440 V		
			AC-21A A	AC-23A kW	AC-3 kW	
Main Switches OFF position padlockable 09h	3 ... 6	P200	20	7,5	5,5	P220 - 61 ... - 177M1
Main/Emergency-Off Switches OFF position padlockable 09h	3 ... 6	P200	20	7,5	5,5	P220 - 61 ... - 177M4
SMD modules for basic switch A02						
Mounting form module for 177M., 2 contact stages			P220			BFH2 - EA
Mounting form module for 177M., 3 contact stages						BFF2 - EA
Mounting form module for 177M1						PAM2 - 177M1
Mounting form module for 177M4						PAM2 - 177M4
Dimensions (mm)						
Type	H1	B1	T1	T2	2xM	H2
P220	100	80	85	38	20	90

Enclosed Switches

sälzer



**Product lines
P200**

Enclosed switches

Insulated enclosure
100 x 80 x 65 mm

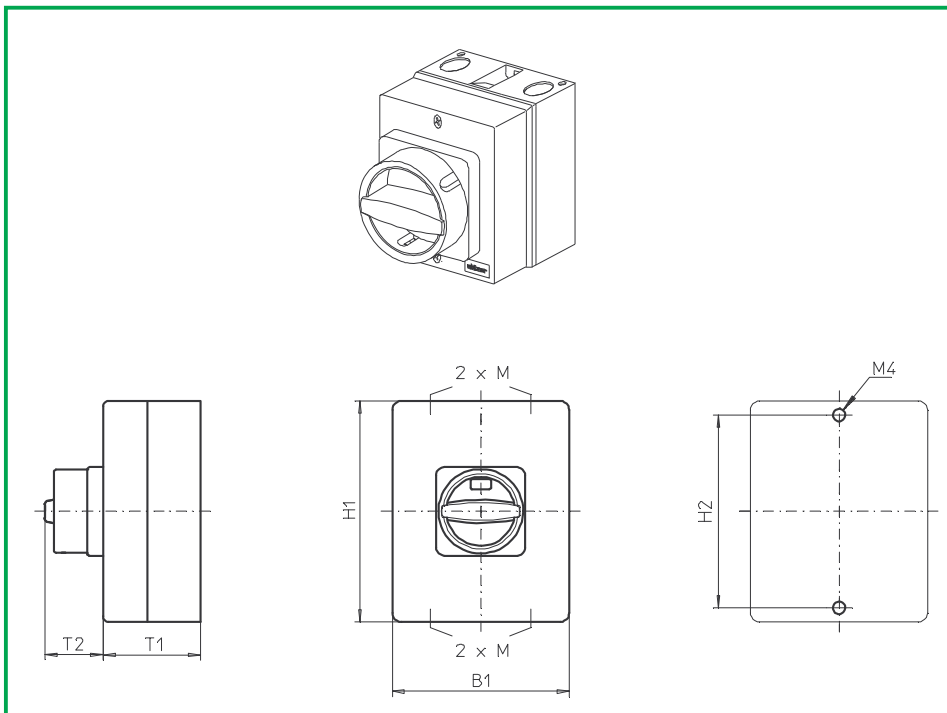
Cable entries
4 x M20

077N1 (IP66)
077N4 (IP66)

Complete switch	Poles	Product line	Rated data (IEC 60947)			Order code number
			Operational current I _e AC-21A A	Operational power at 380–440 V AC-23A kW		
Main Switches OFF position padlockable 09h	1 ... 2	P200	20	7,5	5,5	P220 - 61 ... - 077N1
Main/Emergency-Off Switches OFF position padlockable 09h	1 ... 2	P200	20	7,5	5,5	P220 - 61 ... - 077N4
SMD modules for basic switch A02						
Mounting form module for 077N., 1 contact stage			P220			BFG2-EA
Mounting form module for 077N1						PAM2 - 077N1
Mounting form module for 077N4						PAM2 - 077N4
Dimensions (mm)						
Type	H1	B1	T1	T2	2xM	H2
P220	100	80	65	33	20	90

Enclosed Switches

sälzer



Product lines
P200

Enclosed switches

Insulated enclosure
100 x 80 x 85 mm

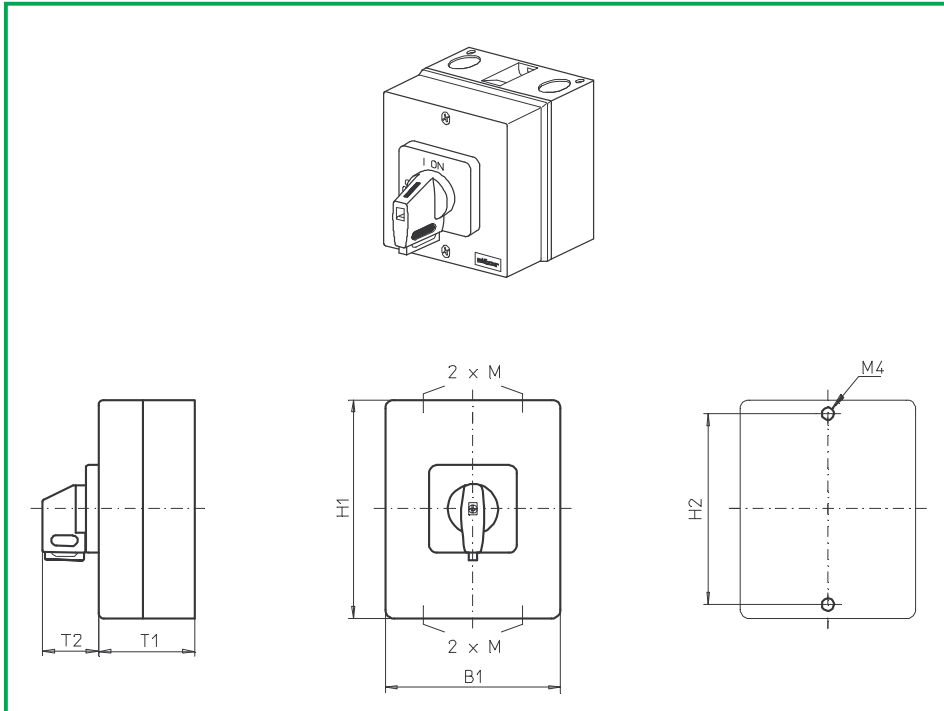
Cable entries
4 x M20

177N1 (IP66)
177N4 (IP66)

Complete switch	Poles	Product line	Rated data (IEC 60947)			Order code number
			Operational current I _e AC-21A A	Operational power at 380–440 V AC-23A kW		
Main Switches OFF position padlockable 09h	3 ... 6	P200	20	7,5	5,5	P220 - 61 ... - 177N1
Main/Emergency-Off Switches OFF position padlockable 09h	3 ... 6	P200	20	7,5	5,5	P220 - 61 ... - 177N4
SMD modules for basic switch A02						
Mounting form module for 177N., 2 contact stages			P220			BFH2 - EA
Mounting form module for 177N., 3 contact stages						BFF2 - EA
Mounting form module for 177N1						PAM2 - 177N1
Mounting form module for 177N4						PAM2 - 177N4
Dimensions (mm)						
Type	H1	B1	T1	T2	2xM	H2
P220	100	80	85	33	20	90

Enclosed Switches

sälzer



Product lines
P200

Enclosed switches

Insulated enclosure
100 x 80 x 65 mm

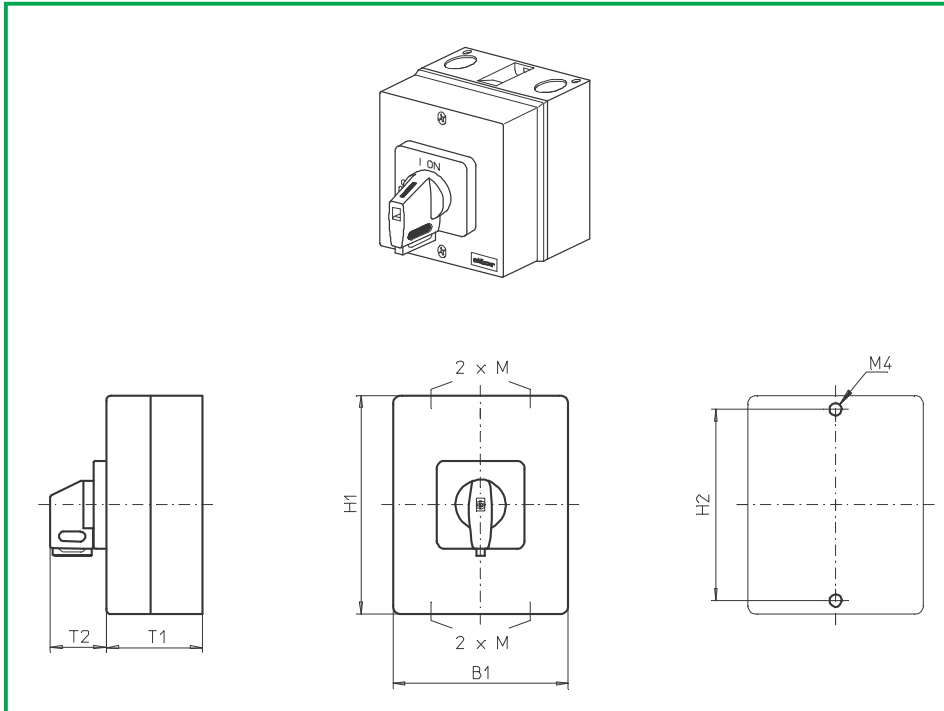
Cable entries
4 x M20

077V1 (IP66)
077V4 (IP66)

Complete switch	Poles	Product line	Rated data (IEC 60947)			Order code number
			Operational current I _e	Operational power at 380–440 V		
			AC-21A A	AC-23A kW	AC-3 kW	
Main Switches OFF position padlockable 09h	1 ... 2	P200	20	7,5	5,5	P220 - 61 ... - 077V1
Main/Emergency-Off Switches OFF position padlockable 09h	1 ... 2	P200	20	7,5	5,5	P220 - 61 ... - 077V4
SMD modules for basic switch A02						
Mounting form module for 077V., 1 contact stage			P220			BFG2 - EA
Mounting form module for 077V1						PAM2 - 077V1
Mounting form module for 077V4						PAM2 - 077V4
Legend plate silver, enclosure module 077V1						FAS2 - 9078
Legend plate yellow, enclosure module 077V4						FBS2 - 9078
Dimensions (mm)						
Type	H1	B1	T1	T2	2xM	H2
P220	100	80	65	32	20	90

Enclosed Switches

sälzer



Product lines
P200

Enclosed switches

Insulated enclosure
100 x 80 x 85 mm

Cable entries
4 x M20

177V1 (IP66)
177V4 (IP66)

Complete switch	Poles	Product line	Rated data (IEC 60947)			Order code number
			Operational current I_e	Operational power at 380–440 V		
			AC-21A A	AC-23A kW	AC-3 kW	
Main Switches OFF position padlockable 09h	3 ... 6	P200	20	7,5	5,5	P220 - 61 ... - 177V1
Main/Emergency-Off Switches OFF position padlockable 09h	3 ... 6	P200	20	7,5	5,5	P220 - 61 ... - 177V4
SMD modules for basic switch A02						
Mounting form module for 177V., 2 contact stages			P220			BFH2 - EA
Mounting form module for 177V., 3 contact stages						BFF2 - EA
Mounting form module for 177V1						PAM2 - 177V1
Mounting form module for 177V4						PAM2 - 177V4
Legend plate silver, enclosure module 177V1						FAS2 - 9078
Legend plate yellow, enclosure module 177V4						FBS2 - 9078
Dimensions (mm)						
Type	H1	B1	T1	T2	2xM	H2
P220	100	80	85	32	20	90

Enclosed Switches

sälzer

Product lines
P200

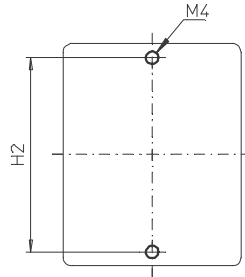
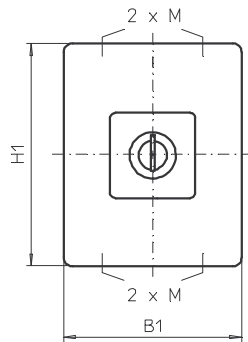
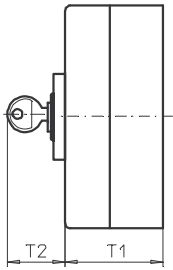
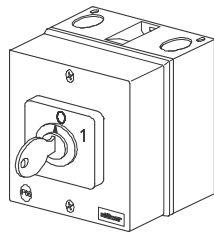
Insulated enclosure
Polycarbonate

100 x 80 x 85 mm (1-2 SZ)

Cable entries
4 x M20

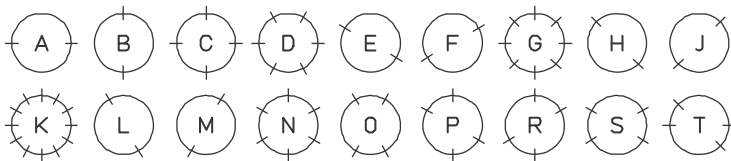
Key operated

E001. (IP40)



Complete switch	Poles	Product line	Rated data (IEC 60947)			Order code number
			Operational current I _e	Operational power at 380–440 V		
			AC-21A A	AC-23A kW	AC-3 kW	
Rotary Cam Switches Switching angle 30°/45°/60°/90°	1 ... 4	P200	20	7,5	5,5	P220 - 61 ... - E001.

The dot in the order code number of the complete mounting form/operator module must be replaced by the classification letter which identifies the key removable positions:



Lines indicate the key removable positions.

SMD modules for basic switch A01

Enclosure module, mounting form E001. for 1-2 stages

P220

PAM2 - E

Operator module 48 x 48 mm, mounting form E001.

2AS1 - 001.

Escutcheon black, Ronis lock C001, 2 keys

Legend plate silver, operator module E001.

FAS2 - (FA number)

Dimensions (mm)

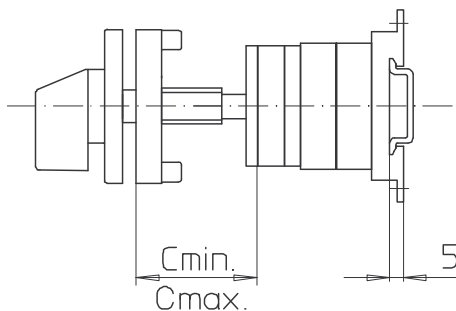
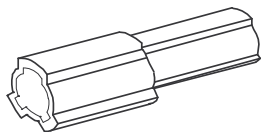
Type	H1	B1	T1	T2	2xM	H2
P220	100	80	85	33	20	90



Section D

	Page	
	from	to
Shaft extensions	D1-1	D1-2
Additional top escutcheon plates	D2-1	D2-2
Assembly tool	D3-1	D3-1

Originator: Sälzer Electric GmbH · Product Data Management (PDM) · 09306 Rochlitz (Germany)
 Copyright reserved by Sälzer Electric GmbH. This document replaces all previous issues.
 Valid until a new version is published. Changes and revisions reserved.



**Product line
P200**

Base mounting switch

Door clutch
Modular shaft extension

Four hole mounting
front

AVD2

Modular shaft extensions for use with door clutch

Dimension C_{min}, C_{max}

Dimension	C _{min}	C _{max}	No.	Order code number
0	42 mm	59 mm	-	-
1	60 mm	84 mm	1	AVD2
2	85 mm	109 mm	2	AVD2
3	110 mm	134 mm	3	AVD2
4	135 mm	159 mm	4	AVD2
5	160 mm	184 mm	5	AVD2
6	185 mm	209 mm	6	AVD2

Product lines P200

AVD2 is suitable to extend the shaft:

48 x 48 mm Base mounting

031M1/ 031M4

032M1/ 032M4
032N1/ 032N4
032V1/ 032V4

037M1/ 037M4
037N1/ 037N4
037V1/ 037V4

040V1
041M1/ 041V1

046V1/ 047V1

047M1

Base mounting Snap on mounting

231M1/ 231M4

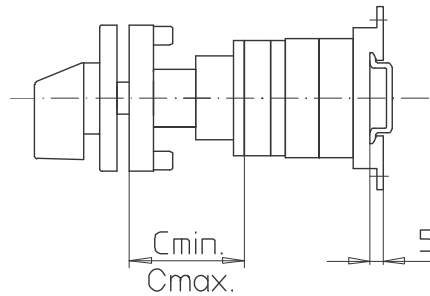
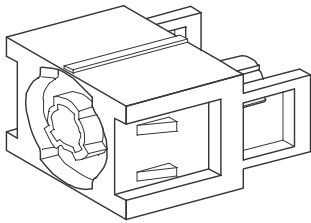
232M1/ 232M4
232N1/ 232N4
232V1/ 232V4

237M1/ 237M4
237N1/ 237N4
237V1/ 237V4

240V1
241M1/ 241V1

246V1/ 247V1

247M1



**Product line
P200**

Base mounting switch

Door interlock
Modular shaft extension

Four hole mounting
front

AVC2 - .

Modular shaft extensions for use with door interlock

Dimension C_{min}, C_{max}

Dimension	C _{min}	C _{max}	No.	Order code number
0	42 mm	57 mm	-	-
1	64 mm	82 mm	1	AVC2 - 1
2	89 mm	107 mm	1	AVC2 - 2
3	114 mm	132 mm	1	AVC2 - 3
4	139 mm	157 mm	1	AVC2 - 4
5	164 mm	182 mm	1	AVC2 - 5
6	189 mm	207 mm	1	AVC2 - 6

Product line P200

AVC2 - . is suitable to extend the shaft:

**48 x 48 mm
Base mounting**

**Base mounting
Snap on mounting**

034M1/ 034M4
034N1/ 034N4
034V1/ 034V4

234M1/ 234M4
234N1/ 234N4
234V1/ 234V4

038M1/ 038M4
038N1/ 038N4
038V1/ 038V4

238M1/ 238M4
238N1/ 238N4
238V1/ 237V4

042M1
042V1/ 043V1

242M1
242V1/ 243V1

048M1
048V1/ 049V1

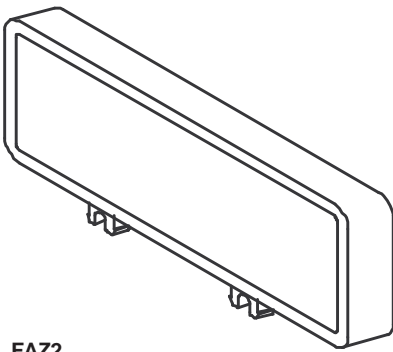
248M1
248V1/ 249V1

135M1/ 135M4

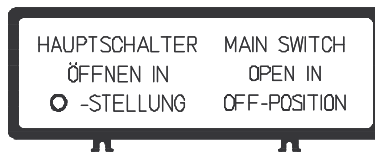
235M1/ 235M4

Accessories

sälzer



FAZ2
Escutcheon frame plate black
(without legend plate)



FAZ2 - 8041

**Product line
P200**

**Additional top
escutcheon plates**

to put on escutcheons
and padlock devices
(also in connection
with enclosures)

FAZ2 -

Additional top escutcheon plates

with additional inscription to be clipped on the escutcheon and padlock devices

- Escutcheon frame plate black, legend plate silver, without inscription (can be engraved)
- Escutcheon frame plate black, legend plate silver, inscription FA 8...*
- Escutcheon frame plate black, legend plate silver, special engraving
- Escutcheon frame plate black, legend plate yellow, without inscription (can be engraved)
- Escutcheon frame plate black, legend plate yellow, inscription FA 8...*
- Escutcheon frame plate black, legend plate yellow, special engraving
- Escutcheon frame plate black (without legend plate)

- FAZ2 - 8000**
- FAZ2 - 8 . . .**
- FAZ2 - (special no.)**
- FBZ2 - 8000**
- FBZ2 - 8 . . .**
- FBZ2 - (special no.)**
- FAZ2**

Legend plates

- Legend plate silver without inscription (can be engraved)
- Legend plate silver, inscription FA 8...*
- Legend plate silver, special engraving
- Legend plate yellow without inscription (can be engraved)
- Legend plate yellow, inscription FA 8...*
- Legend plate yellow, special engraving

- FAS2 - 8000**
- FAS2 - 8 . . .**
- FAS2 - (special no.)**
- FBS2 - 8000**
- FBS2 - 8 . . .**
- FBS2 - (special no.)**

* inscription FA 8... see next page

HAUPTSCHALTER MAIN SWITCH
 ÖFFNEN IN OPEN IN
 O-STELLUNG OFF-POSITION

Example: Legend plate silver **FAS2 - 8041**
 for top escutcheon plate FAZ2-8041

Product line
P200

Legend plates
 for additional top
 escutcheon plates

FAS2 - 8 ...
FBS2 - 8 ...

Legend plates for additional top escutcheon plates

Legend plate silver, without inscription (can be engraved)
 Legend plate silver, inscription FA 8...
 Legend plate silver, special engraving

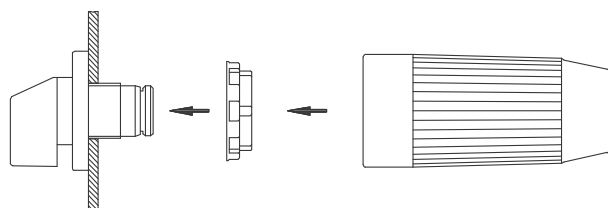
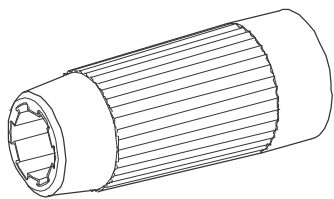
Legend plate yellow without inscription (can be engraved)
 Legend plate yellow, inscription FA 8...
 Legend plate yellow, special engraving

FAS2 - 8000
FAS2 - 8 ...
FAS2 - (special no.)

FBS2 - 8000
FBS2 - 8 ...
FBS2 - (special no.)

Legend plates, inscription FA 8...

	HAUPTSCHALTER FA 8001	MAIN SWITCH FA 8002	NETZSCHALTER FA 8003	WAHLSCHALTER FA 8004	SELECTOR FA 8005
BETRIEBSART FA 8006	ISOLATOR FA 8007	GLEISWAHL FA 8008	STEUERUNG FA 8009	FEIN FA 8010	GROB FA 8011
PUMPE FA 8012	NOT-AUS FA 8013	SYNCHRONIZING FA 8014	WATTMETER FA 8015	AMMETER FA 8016	VOLTMETER AMMETER FA 8017
VOLTMETER FA 8018	MOTOR CONTROL FA 8019	HEIZUNG FA 8021	KEUZESCHAKELAAR FA 8023	SCHWEISSEN FA 8024	GLÄTTUNG FA 8025
EMERGENCY OFF FA 8026	TURVAKYTKIN FA 8027	HAUPTSCHALTER NUR IN STELLUNG O ÖFFNEN FA 8028	MAIN SWITCH OPEN ONLY IN POSITION "OFF" FA 8029	INTERRUTTORE GENERALE ARRIRE SOLO MANIPOLA SU ZERO FA 8030	INTERRUPTEUR PRINCIPAL OUIRIR EN POSITION O SEULEMENT FA 8031
VOLTIMETRO FA 8032	AMPERIMETRO FA 8033	VATIMETRO FA 8034	CONTROL FA 8035	BOMBA FA 8036	INTERRUPTOR FA 8037
CALEFACCION FA 8038	HOOFDSCHAKELAAR ALLEEN IN O - STAND OPENEN FA 8039	INTERRUPTOR PRINCIPAL ABRIR SOLO EN POSICION O FA 8040	HAUPTSCHALTER MAIN SWITCH ÖFFNEN IN OPEN IN O-STELLUNG OFF-POSITION FA 8041	DANGER ISOLATE MAIN SUPPLY BEFORE REMOVING COVER FA 8042	HUVUDBRYTARE FA 8044
HLAVNÍ VYPÍNAČ FA 8045	HLAVNÍ VYPÍNAČ OTEVŘÍT POUZE V POLOZE O FA 8046	ГЛАВНЫЙ ВЫКЛЮЧАТЕЛЬ ОПЕРЫВАТЬ ТОЛЬКО В НУЛОВОЙ ПОЗИЦИИ FA 8047			



Product lines
M200 / T200

Assembly tool

for switches with
Single hole mounting
ø 22,5 mm and ø 30,5 mm

218098

Assembly tool

Suitable for a **fast assembly of the single hole mounting** together with escutcheon / padlock device resp. door clutch / door interlock on mounting forms:

203V1
204M1, 204V4
205M1, 205M4
206M1, 206M4

206N1, 206N4
206V1, 206V4
208M1
209M1

213V1
214M1, 214V1
215V1, 215V4
215M1, 215M4

216M1, 216M4
216N1, 216N4
216V1, 216V4
218M1

219M1
226V1, 226V4



Faster deliveries through SMD

In order to ensure even greater flexibility for worldwide supply availability within 24h, Sälzer Electric has introduced the SMD (Sälzer Modular Design) system.

SMD modules are individually prefabricated and tested all-in-one modules which SMD Service holds in stock in sufficient quantities. From basic switch modules, mounting form modules and operator modules, SMD Service can assemble a complete switch requested by the customer and pack it ready for delivery in just a few actions.

– **back** –