



## Mounting Form Table

**B200**  
**50 A and 63 A**

### Section

|                                |          |
|--------------------------------|----------|
| <b>Front Mounting Switches</b> | <b>A</b> |
| <b>Base Mounting Switches</b>  | <b>B</b> |
| <b>Enclosed Switches</b>       | <b>C</b> |
| <b>Accessories</b>             | <b>D</b> |

---

**Originator: Sälzer Electric GmbH · Product Data Management (PDM) · 09306 Rochlitz (Germany)**  
Copyright reserved by Sälzer Electric GmbH. This document replaces all previous issues.  
Valid until a new version is published. Changes and revisions reserved.

# Mounting Form Table



| Mtg. forms | Pages | Mtg. forms | Pages | Mtg. forms | Pages | Mtg. forms | Pages |       |
|------------|-------|------------|-------|------------|-------|------------|-------|-------|
| 003M1      | A1-1  | (5)        | 192M1 | C3-22      | (192) | 235M1      | B3-7  | (58)  |
| 013M1      | A1-2  | (6)        | 192M4 | C3-22      | (192) | 235M4      | B3-7  | (58)  |
| 013V1      | A1-3  | (7)        | 192N1 | C3-23      | (193) | 237M1      | B2-8  | (48)  |
| 014V1      | A1-3  | (7)        | 192N4 | C3-23      | (193) | 237M4      | B2-8  | (48)  |
| 021M1      | B1-1  | (36)       | 192V1 | C3-24      | (194) | 237N1      | B2-9  | (49)  |
| 026M1      | B1-2  | (37)       | 192V4 | C3-24      | (194) | 237N4      | B2-9  | (49)  |
| 026N2      | B1-3  | (38)       | 196H1 | C3-10      | (180) | 237V1      | B2-10 | (50)  |
| 026V1      | B1-5  | (40)       | 196M1 | C3-5       | (175) | 237V4      | B2-10 | (50)  |
| 026V4      | B1-5  | (40)       | 196V1 | C3-9       | (179) | 238M1      | B3-8  | (59)  |
| 027V1      | B1-4  | (39)       | 197M1 | C3-6       | (176) | 238M4      | B3-8  | (59)  |
| 028V1      | B1-4  | (39)       | 197M4 | C3-6       | (176) | 238N1      | B3-9  | (60)  |
| 033M1      | A1-4  | (8)        | 197N1 | C3-7       | (177) | 238N4      | B3-9  | (60)  |
| 033M4      | A1-4  | (8)        | 197N4 | C3-7       | (177) | 238V1      | B3-10 | (61)  |
| 033N1      | A1-5  | (9)        | 198M1 | C3-8       | (178) | 238V4      | B3-10 | (61)  |
| 033N4      | A1-5  | (9)        | 198H1 | C3-10      | (180) | 241M1      | B2-1  | (41)  |
| 033V1      | A1-6  | (10)       | 198V1 | C3-9       | (179) | 242M1      | B3-1  | (52)  |
| 033V4      | A1-6  | (10)       | 204M1 | A3-2       | (28)  | 246V1      | B2-3  | (43)  |
| 035M1      | A1-7  | (11)       | 205M1 | A2-6       | (24)  | 247M1      | B2-2  | (42)  |
| 035M4      | A1-7  | (11)       | 205M4 | A2-6       | (24)  | 247V1      | B2-3  | (43)  |
| 036M1      | A1-8  | (12)       | 206M1 | A2-3       | (21)  | 248M1      | B3-2  | (53)  |
| 036M4      | A1-8  | (12)       | 206M4 | A2-3       | (21)  | 248V1      | B3-3  | (54)  |
| 036N1      | A1-9  | (13)       | 206N1 | A2-4       | (22)  | 249V1      | B3-3  | (54)  |
| 036N4      | A1-9  | (13)       | 206N4 | A2-4       | (22)  | 280M1      | B5-4  | (77)  |
| 036V1      | A1-10 | (14)       | 206V1 | A2-5       | (23)  | 280M4      | B5-4  | (77)  |
| 036V4      | A1-10 | (14)       | 206V4 | A2-5       | (23)  | 280N1      | B5-5  | (78)  |
| 086M1      | C2-1  | (151)      | 208M1 | A3-8       | (34)  | 280N4      | B5-5  | (78)  |
| 087M1      | C2-2  | (152)      | 209M1 | A3-1       | (27)  | 280V1      | B5-6  | (79)  |
| 087M4      | C2-2  | (152)      | 214M1 | A2-2       | (20)  | 280V4      | B5-6  | (79)  |
| 087N1      | C2-3  | (153)      | 215M1 | A3-6       | (32)  | 281M1      | B6-4  | (86)  |
| 087N4      | C2-3  | (153)      | 215M4 | A3-6       | (32)  | 281M4      | B6-4  | (86)  |
| 087V1      | C2-4  | (154)      | 215V1 | A3-5       | (31)  | 281N1      | B6-5  | (87)  |
| 087V4      | C2-4  | (154)      | 215V4 | A3-5       | (31)  | 281N4      | B6-5  | (87)  |
| 096M1      | C3-1  | (171)      | 216M1 | A3-3       | (29)  | 281V1      | B6-6  | (88)  |
| 097M1      | C3-2  | (172)      | 216M4 | A3-3       | (29)  | 281V4      | B6-6  | (88)  |
| 097M4      | C3-2  | (172)      | 216N1 | A3-4       | (30)  | 282M1      | B5-1  | (74)  |
| 097N1      | C3-3  | (173)      | 216N4 | A3-4       | (30)  | 283M1      | B6-1  | (83)  |
| 097N4      | C3-3  | (173)      | 216V1 | A3-7       | (33)  | 284M1      | B5-2  | (75)  |
| 097V1      | C3-4  | (174)      | 216V4 | A3-7       | (33)  | 284V1      | B5-3  | (76)  |
| 097V4      | C3-4  | (174)      | 218M1 | A2-8       | (26)  | 285M1      | B6-2  | (84)  |
| 103M1      | A1-13 | (17)       | 219M1 | A2-1       | (19)  | 285V1      | B6-3  | (85)  |
| 113M1      | A1-14 | (18)       | 226V1 | A2-7       | (25)  | 286M1      | B5-7  | (80)  |
| 136M1      | A1-11 | (15)       | 226V4 | A2-7       | (25)  | 286M4      | B5-7  | (80)  |
| 136M4      | A1-11 | (15)       | 231M1 | B2-7       | (47)  | 287M1      | B6-7  | (89)  |
| 136N1      | A1-12 | (16)       | 231M4 | B2-7       | (47)  | 287M4      | B6-7  | (89)  |
| 136N4      | A1-12 | (16)       | 232M1 | B2-4       | (44)  | 288V1      | B5-8  | (81)  |
| 186H1      | C2-10 | (160)      | 232M4 | B2-4       | (44)  | 288V4      | B5-8  | (81)  |
| 186M1      | C2-5  | (155)      | 232N1 | B2-5       | (45)  | 289V1      | B6-8  | (90)  |
| 186V1      | C2-9  | (159)      | 232N4 | B2-5       | (45)  | 289V4      | B6-8  | (90)  |
| 187M1      | C2-6  | (156)      | 232V1 | B2-6       | (46)  | 290V1      | B5-3  | (76)  |
| 187M4      | C2-6  | (156)      | 232V4 | B2-6       | (46)  | 291V1      | B6-3  | (85)  |
| 187N1      | C2-7  | (157)      | 234M1 | B3-4       | (55)  | 431M1      | B7-7  | (98)  |
| 187N4      | C2-7  | (157)      | 234M4 | B3-4       | (55)  | 431M4      | B7-7  | (98)  |
| 188H1      | C2-10 | (160)      | 234N1 | B3-5       | (56)  | 432M1      | B7-4  | (95)  |
| 188M1      | C2-8  | (158)      | 234N4 | B3-5       | (56)  | 432M4      | B7-4  | (95)  |
| 189V1      | C2-9  | (159)      | 234V1 | B3-6       | (57)  | 432N1      | B7-5  | (96)  |
| 190M1      | C3-21 | (191)      | 234V4 | B3-6       | (57)  | 432N4      | B7-5  | (96)  |
| 432V1      | B7-6  | (97)       |       |            |       | 437M1      | B7-8  | (99)  |
| 432V4      | B7-6  | (97)       |       |            |       | 437M4      | B7-8  | (99)  |
| 435M1      | B8-7  | (109)      |       |            |       | 437N1      | B7-9  | (100) |
| 435M4      | B8-7  | (109)      |       |            |       | 437N4      | B7-9  | (100) |
| 437M1      | B7-8  | (99)       |       |            |       | 437V1      | B7-10 | (101) |
| 437M4      | B7-8  | (99)       |       |            |       | 437V4      | B7-10 | (101) |
| 437N1      | B7-9  | (100)      |       |            |       | 441M1      | B7-1  | (92)  |
| 437N4      | B7-9  | (100)      |       |            |       | 446V1      | B7-3  | (94)  |
| 437V1      | B7-10 | (101)      |       |            |       | 447M1      | B7-2  | (93)  |
| 437V4      | B7-10 | (101)      |       |            |       | 447V1      | B7-3  | (94)  |
| 441M1      | B7-1  | (92)       |       |            |       | 449V1      | B8-3  | (105) |
| 446V1      | B7-3  | (94)       |       |            |       | 481M1      | B8-1  | (103) |
| 447M1      | B7-2  | (93)       |       |            |       | 482M1      | B8-2  | (104) |
| 447V1      | B7-3  | (94)       |       |            |       | 482V1      | B8-3  | (105) |
| 449V1      | B8-3  | (105)      |       |            |       | 483M1      | B8-4  | (106) |
| 481M1      | B8-1  | (103)      |       |            |       | 483M4      | B8-4  | (106) |
| 482M1      | B8-2  | (104)      |       |            |       | 483N1      | B8-5  | (107) |
| 482V1      | B8-3  | (105)      |       |            |       | 483N4      | B8-5  | (107) |
| 483M1      | B8-4  | (106)      |       |            |       | 483V1      | B8-6  | (108) |
| 483M4      | B8-4  | (106)      |       |            |       | 483V4      | B8-6  | (108) |
| 483N1      | B8-5  | (107)      |       |            |       | 484M1      | B8-8  | (110) |
| 483N4      | B8-5  | (107)      |       |            |       | 484M4      | B8-8  | (110) |
| 483V1      | B8-6  | (108)      |       |            |       | 484N1      | B8-9  | (111) |
| 483V4      | B8-6  | (108)      |       |            |       | 484N4      | B8-9  | (111) |
| 484M1      | B8-8  | (110)      |       |            |       | 484V1      | B8-10 | (112) |
| 484M4      | B8-8  | (110)      |       |            |       | 484V4      | B8-10 | (112) |
| 484N1      | B8-9  | (111)      |       |            |       | 534M1      | B4-4  | (66)  |
| 484N4      | B8-9  | (111)      |       |            |       | 534M4      | B4-4  | (66)  |
| 484V1      | B8-10 | (112)      |       |            |       | 534N1      | B4-5  | (67)  |
| 484V4      | B8-10 | (112)      |       |            |       | 534N4      | B4-5  | (67)  |
| 534M1      | B4-4  | (66)       |       |            |       | 534V1      | B4-6  | (68)  |
| 534M4      | B4-4  | (66)       |       |            |       | 534V4      | B4-6  | (68)  |
| 534N1      | B4-5  | (67)       |       |            |       | 535M1      | B4-7  | (69)  |
| 534N4      | B4-5  | (67)       |       |            |       | 535M4      | B4-7  | (69)  |
| 534V1      | B4-6  | (68)       |       |            |       | 538M1      | B4-8  | (70)  |
| 534V4      | B4-6  | (68)       |       |            |       | 538M4      | B4-8  | (70)  |
| 535M1      | B4-7  | (69)       |       |            |       | 538N1      | B4-9  | (71)  |
| 535M4      | B4-7  | (69)       |       |            |       | 538N4      | B4-9  | (71)  |
| 538M1      | B4-8  | (70)       |       |            |       | 538V1      | B4-10 | (72)  |
| 538M4      | B4-8  | (70)       |       |            |       | 538V4      | B4-10 | (72)  |
| 538N1      | B4-9  | (71)       |       |            |       | 542M1      | B4-1  | (63)  |
| 538N4      | B4-9  | (71)       |       |            |       | 548M1      | B4-2  | (64)  |
| 538V1      | B4-10 | (72)       |       |            |       | 548V1      | B4-3  | (65)  |
| 538V4      | B4-10 | (72)       |       |            |       | 549V1      | B4-3  | (65)  |
| 542M1      | B4-1  | (63)       |       |            |       | 586M1      | C2-11 | (161) |
| 548M1      | B4-2  | (64)       |       |            |       | 587M1      | C2-12 | (162) |
| 548V1      | B4-3  | (65)       |       |            |       | 587M4      | C2-12 | (162) |
| 549V1      | B4-3  | (65)       |       |            |       | 587N1      | C2-13 | (163) |
| 586M1      | C2-11 | (161)      |       |            |       | 587N4      | C2-13 | (163) |
| 587M1      | C2-12 | (162)      |       |            |       | 587V1      | C2-14 | (164) |
| 587M4      | C2-12 | (162)      |       |            |       | 587V4      | C2-14 | (164) |
| 587N1      | C2-13 | (163)      |       |            |       | 596M1      | C3-11 | (181) |
| 587N4      | C2-13 | (163)      |       |            |       |            |       |       |
| 587V1      | C2-14 | (164)      |       |            |       |            |       |       |
| 587V4      | C2-14 | (164)      |       |            |       |            |       |       |
| 596M1      | C3-11 | (181)      |       |            |       |            |       |       |

Remark to Manual B200:

Please see the different supply availability for mounting forms – for further information please contact the sales team.

# Mounting Form Table



| Mtg. forms | Pages       | Mtg. forms | Pages       | Mtg. forms | Pages       | Mtg. forms | Pages      |
|------------|-------------|------------|-------------|------------|-------------|------------|------------|
| 597M1      | C3-12 (182) | 711M1      | C1-1 (115)  | 750M1      | C1-9 (123)  | AVC2 -.    | D1-2 (200) |
| 597M4      | C3-12 (182) | 715M1      | C1-6 (120)  | 750M4      | C1-9 (123)  | AVD2       | B2-11 (51) |
| 597N1      | C3-13 (183) | 715M4      | C1-6 (120)  | 750M6      | C1-10 (124) | AVD2       | D1-1 (199) |
| 597N4      | C3-13 (183) | 715N1      | C1-7 (121)  | 750N1      | C1-11 (125) | B200-ED    | C4-1 (195) |
| 597V1      | C3-14 (184) | 715N4      | C1-7 (121)  | 750N4      | C1-11 (125) | B200-E6    | C4-2 (196) |
| 597V4      | C3-14 (184) | 715V1      | C1-8 (122)  | 750N6      | C1-12 (126) | B200-E7    | C4-3 (197) |
| 686H1      | C2-19 (169) | 715V4      | C1-8 (122)  | 750V1      | C1-13 (127) | FAZ2 -.... | D3-1 (204) |
| 686M1      | C2-15 (165) | 716M1      | C1-5 (119)  | 750V4      | C1-13 (127) | FAS2 -.... | D3-2 (205) |
| 686V1      | C2-20 (170) | 730M1      | C1-19 (133) | 755M1      | C1-14 (128) | FBS2 -.... | D3-2 (205) |
| 687M1      | C2-16 (166) | 730M4      | C1-19 (133) | 755M4      | C1-14 (128) | SAX1       | D5-1 (207) |
| 687M4      | C2-16 (166) | 730N1      | C1-20 (134) | 755M6      | C1-15 (129) | SBX1       | D5-1 (208) |
| 687N1      | C2-17 (167) | 730N4      | C1-20 (134) | 755N1      | C1-16 (130) | TCC2       | D2-1 (203) |
| 687N4      | C2-17 (167) | 730V1      | C1-21 (135) | 755N4      | C1-16 (130) | TCD2       | D2-1 (203) |
| 688H1      | C2-19 (169) | 730V4      | C1-21 (135) | 755N6      | C1-17 (131) | 218098     | D4-1 (206) |
| 688M1      | C2-18 (168) | 731M1      | C1-22 (136) | 755V1      | C1-18 (132) |            |            |
| 688V1      | C2-20 (170) | 735M1      | C1-23 (137) | 755V4      | C1-18 (132) |            |            |
| 696H1      | C3-19 (189) | 735M4      | C1-23 (137) | 976M1      | C1-33 (147) |            |            |
| 696M1      | C3-15 (185) | 735N1      | C1-24 (138) | 978M1      | C1-33 (147) |            |            |
| 696V1      | C3-20 (190) | 735N4      | C1-24 (138) | 977M1      | C1-34 (148) |            |            |
| 697M1      | C3-16 (186) | 735V1      | C1-25 (139) | 977M4      | C1-34 (148) |            |            |
| 697M4      | C3-16 (186) | 735V4      | C1-25 (139) | 977N1      | C1-35 (149) |            |            |
| 697N1      | C3-17 (187) | 736N1      | C1-26 (140) | 977N4      | C1-35 (149) |            |            |
| 697N4      | C3-17 (187) | 740M1      | C1-28 (142) | 976H1      | C1-36 (150) |            |            |
| 698H1      | C3-19 (189) | 740M4      | C1-28 (142) | 979H1      | C1-36 (150) |            |            |
| 698M1      | C3-18 (188) | 740N1      | C1-29 (143) | AVA8-...   | B5-9 (82)   |            |            |
| 698V1      | C3-20 (190) | 740N4      | C1-29 (143) | AVA8-...   | B6-9 (91)   |            |            |
| 710M1      | C1-2 (116)  | 740V1      | C1-30 (144) | AVA8-...   | D1-3 (201)  |            |            |
| 710M4      | C1-2 (116)  | 740V4      | C1-30 (144) | AVB8-...   | B7-11 (102) |            |            |
| 710N1      | C1-3 (117)  | 741M1      | C1-27 (141) | AVB8-...   | B8-11 (113) |            |            |
| 710N4      | C1-3 (117)  | 742M1      | C1-31 (145) | AVB8-...   | D1-4 (202)  |            |            |
| 710V1      | C1-4 (118)  | 742V1      | C1-32 (146) | AVC2 -.    | B3-11 (62)  |            |            |
| 710V4      | C1-4 (118)  | 743V1      | C1-32 (146) | AVC2 -.    | B4-11 (73)  |            |            |

Remark to Manual B200:

Please see the different supply availability for mounting forms – for further information please contact the sales team.



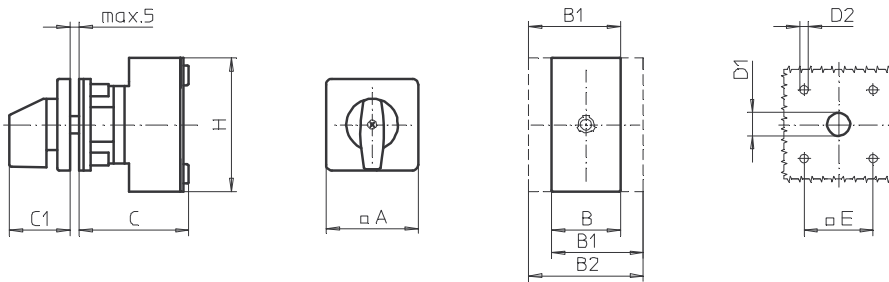
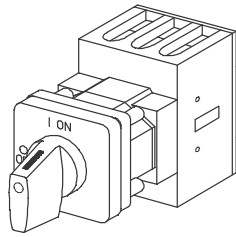
## Section A

|  | Page        |              |
|--|-------------|--------------|
|  | from        | to           |
| <b>Four hole mounting</b>                                    | <b>A1-1</b> | <b>A1-14</b> |
| <b>Single hole mounting <math>\varnothing</math> 22,5 mm</b> | <b>A2-1</b> | <b>A2-8</b>  |
| <b>Single hole mounting <math>\varnothing</math> 30,5 mm</b> | <b>A3-1</b> | <b>A3-8</b>  |

---

**Originator: Sälzer Electric GmbH · Product Data Management (PDM) · 09306 Rochlitz (Germany)**  
Copyright reserved by Sälzer Electric GmbH. This document replaces all previous issues.  
Valid until a new version is published. Changes and revisions reserved.

# Front Mounting Switches



**Product line  
B200-A**

**Front mounting switch**

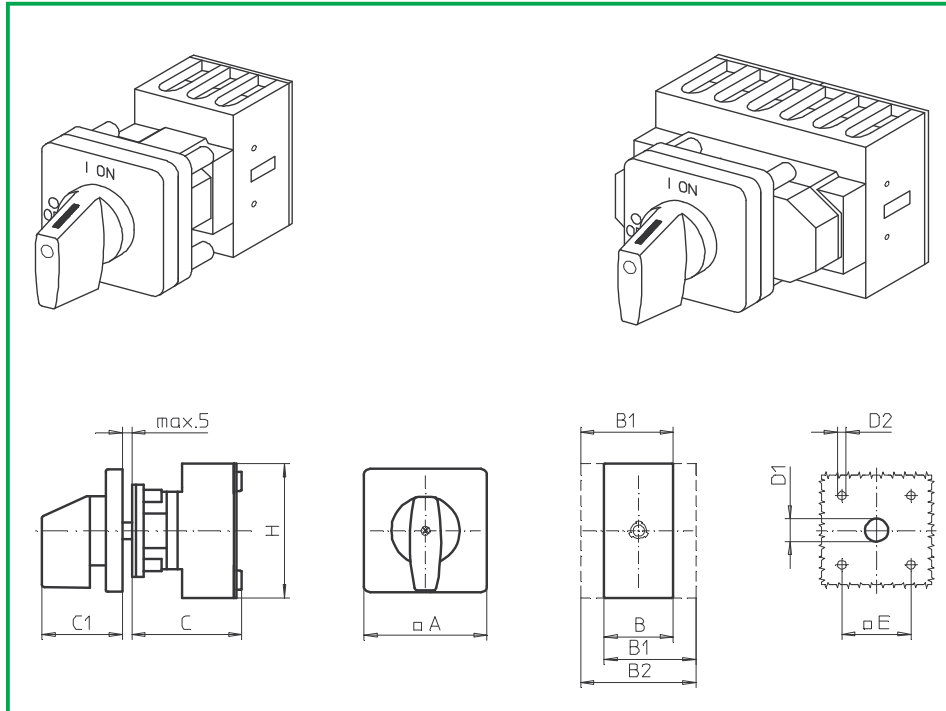
**Four hole mounting  
36 x 36 mm**

**003M1 (IP66)**

| Complete switch   | Poles    | Product lines | Rated data (IEC 60947)             |                                |            | Order code number  |           |           |          |          |
|---|----------|---------------|------------------------------------|--------------------------------|------------|--|-----------|-----------|----------|----------|
|   |          |               | Operational current I <sub>e</sub> | Operational power at 380–440 V |            |  |           |           |          |          |
|   |          |               | AC-21A<br>A                        | AC-23A<br>kW                   | AC-3<br>kW |  |           |           |          |          |
| ON-OFF Switches<br>Switching angle 90°  | 3 ... 4  | B200-A        | 50<br>63                           | 18,5<br>22                     | 15<br>18,5 | <b>B250 - 41 ... - 003M1</b><br><b>B263 - 41 ... - 003M1</b> |           |           |          |          |
| <b>SMD modules for basic switch A01</b>   |          |               |                                    |                                |            |  |           |           |          |          |
| Mounting form module for 003M1  |          |               |                                    | B200-A                         |            | <b>BFB2 - 003</b>  |           |           |          |          |
| M-operator module 48 x 48 mm, mounting form 003M1<br>Escutcheon black, handle black |          |               |                                    |                                |            | <b>2AM1</b>  |           |           |          |          |
| Legend plate silver, operator module 003M1  |          |               |                                    |                                |            | <b>FAS2 - 9...</b> (FA number)                               |           |           |          |          |
| <b>Dimensions (mm)</b>  |          |               |                                    |                                |            |  |           |           |          |          |
| <b>Product lines</b>  | <b>A</b> | <b>B</b>      | <b>B1</b>                          | <b>B2</b>                      | <b>C</b>   | <b>C1</b>  | <b>D1</b> | <b>D2</b> | <b>E</b> | <b>H</b> |
| B200-A  | 48       | 50            | 69                                 | 88                             | 58         | 32   | 12        | 4,5       | 36       | 72       |

# Front Mounting Switches

**sälzer**



**Product lines  
B200-A/ -D/ -E**

**Front mounting switch**  
Operator module of next size

**Four hole mounting**  
48 x 48 mm

**013M1 (IP66)**

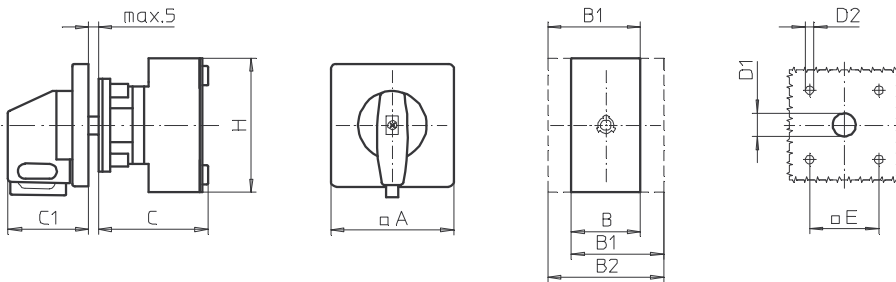
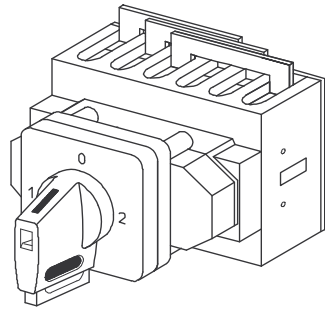
| Complete switch                            | Poles   | Product lines | Rated data (IEC 60947)    |                                |            | Order code number  |
|--|---------|---------------|---------------------------|--------------------------------|------------|--|
|  |         |               | Operational current $I_e$ | Operational power at 380–440 V |            |  |
|  |         |               | AC-21A<br>A               | AC-23A<br>kW                   | AC-3<br>kW |  |
| ON-OFF Switches<br>Switching angle 90°     | 3 ... 8 | B200-A/ -D    | 50<br>63                  | 18,5<br>22                     | 15<br>18,5 | <b>B250 - 41 ... - 013M1</b><br><b>B263 - 41 ... - 013M1</b> |
| Changeover with OFF<br>Switching angle 90° | 3 ... 4 | B200-E        | 50<br>63                  | 18,5<br>22                     | 15<br>18,5 | <b>B250 - 71 ... - 013M1</b><br><b>B263 - 71 ... - 013M1</b> |

| SMD modules for basic switch A01  |                |                                |
|---|----------------|--------------------------------|
| Mounting form module for 013M1  | B200-A/ -D/ -E | <b>BFB2 - 013</b>              |
| M-operator module 64 x 64 mm, mounting form 013M1<br>Escutcheon black, handle black |                | <b>4AM1</b>                    |
| Legend plate silver, operator module 013M1  |                | <b>FAS4 - 9...</b> (FA number) |

| Dimensions (mm) |    |     |     |     |    |    |    |    |    |    |
|-----------------|----|-----|-----|-----|----|----|----|----|----|----|
| Product lines   | A  | B   | B1  | B2  | C  | C1 | D1 | D2 | E  | H  |
| B200-A          | 64 | 50  | 69  | 88  | 58 | 39 | 15 | 5  | 48 | 72 |
| B200-D          | 64 | 100 | 119 | 138 | 70 | 39 | 15 | 5  | 48 | 72 |
| B200-E          | 64 | 100 | 119 | 138 | 70 | 39 | 15 | 5  | 48 | 72 |

# Front Mounting Switches

**sälzer**



**Product line  
B200-E**

**Front mounting switch**  
Operator module of next size

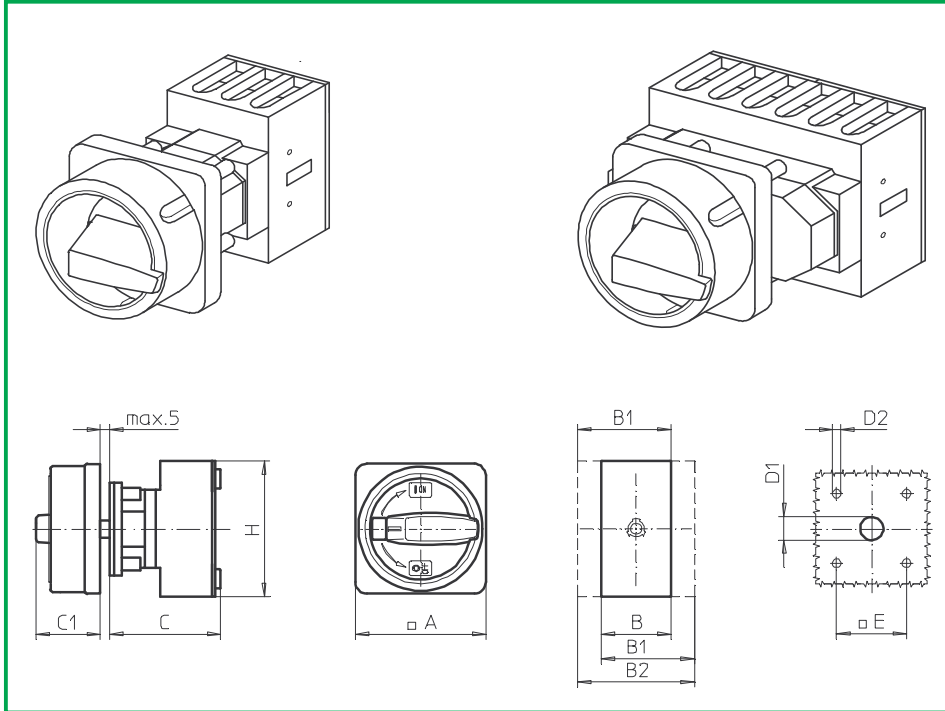
**Four hole mounting**  
48 x 48 mm

**013V1 (IP66)**  
**014V1 (IP66)**

| Complete switch  | Poles    | Product lines | Rated data (IEC 60947)             |                                |            | Order code number              |           |           |          |          |
|--|----------|---------------|------------------------------------|--------------------------------|------------|--------------------------------|-----------|-----------|----------|----------|
|  |          |               | Operational current I <sub>e</sub> | Operational power at 380–440 V |            |                                |           |           |          |          |
|  |          |               | AC-21A<br>A                        | AC-23A<br>kW                   | AC-3<br>kW |                                |           |           |          |          |
| Changeover with OFF<br>Switching angle 90°<br>OFF position padlockable 12h             | 3 ... 4  | B200-E        | 50                                 | 18,5                           | 15         | <b>B250 - 71 ... - 013V1</b>   |           |           |          |          |
|  |          |               | 63                                 | 22                             | 18,5       | <b>B263 - 71 ... - 013V1</b>   |           |           |          |          |
| Changeover with OFF<br>Switching angle 90°<br>3 positions padlockable<br>(09h/12h/03h) | 3 ... 4  | B200-E        | 50                                 | 18,5                           | 15         | <b>B250 - 71 ... - 014V1</b>   |           |           |          |          |
|  |          |               | 63                                 | 22                             | 18,5       | <b>B263 - 71 ... - 014V1</b>   |           |           |          |          |
| <b>SMD modules for basic switch A01</b>  |          |               |                                    |                                |            |                                |           |           |          |          |
| Mounting form module for 013V1/ 014V1  |          |               | B200-E                             |                                |            | <b>BFB2 - 013</b>              |           |           |          |          |
| V-operator module 64 x 64 mm, mounting form 013V1<br>Escutcheon black, handle black    |          |               |                                    |                                |            | <b>4AV1 - 12</b>               |           |           |          |          |
| V-operator module 64 x 64 mm, mounting form 014V1<br>Escutcheon black, handle black    |          |               |                                    |                                |            | <b>4AV1 - 99</b>               |           |           |          |          |
| Legend plate silver, operator modules 013V1/ 014V1                                     |          |               |                                    |                                |            | <b>FAS4 - 9...</b> (FA number) |           |           |          |          |
| <b>Dimensions (mm)</b>   |          |               |                                    |                                |            |                                |           |           |          |          |
| <b>Product lines</b>   | <b>A</b> | <b>B</b>      | <b>B1</b>                          | <b>B2</b>                      | <b>C</b>   | <b>C1</b>                      | <b>D1</b> | <b>D2</b> | <b>E</b> | <b>H</b> |
| B200-E   | 64       | 100           | 119                                | 138                            | 70         | 39                             | 15        | 5         | 48       | 72       |

# Front Mounting Switches

**sälzer**



**Product lines  
B200-A/ -D**

**Front mounting switch**

**Four hole mounting  
36 x 36 mm**

**033M1 (IP66)  
033M4 (IP66)**

| Complete switch   | Poles   | Product lines | Rated data (IEC 60947)             |                                |            | Order code number  |
|---|---------|---------------|------------------------------------|--------------------------------|------------|--|
|   |         |               | Operational current I <sub>e</sub> | Operational power at 380–440 V |            |  |
|   |         |               | AC-21A<br>A                        | AC-23A<br>kW                   | AC-3<br>kW |  |
| Main Switches<br>OFF position padlockable 09h               | 3 ... 8 | B200-A/ -D    | 50<br>63                           | 18,5<br>22                     | 15<br>18,5 | <b>B250 - 41 ... - 033M1</b><br><b>B263 - 41 ... - 033M1</b> |
| Main/Emergency-OFF Switches<br>OFF position padlockable 09h | 3 ... 8 | B200-A/ -D    | 50<br>63                           | 18,5<br>22                     | 15<br>18,5 | <b>B250 - 41 ... - 033M4</b><br><b>B263 - 41 ... - 033M4</b> |

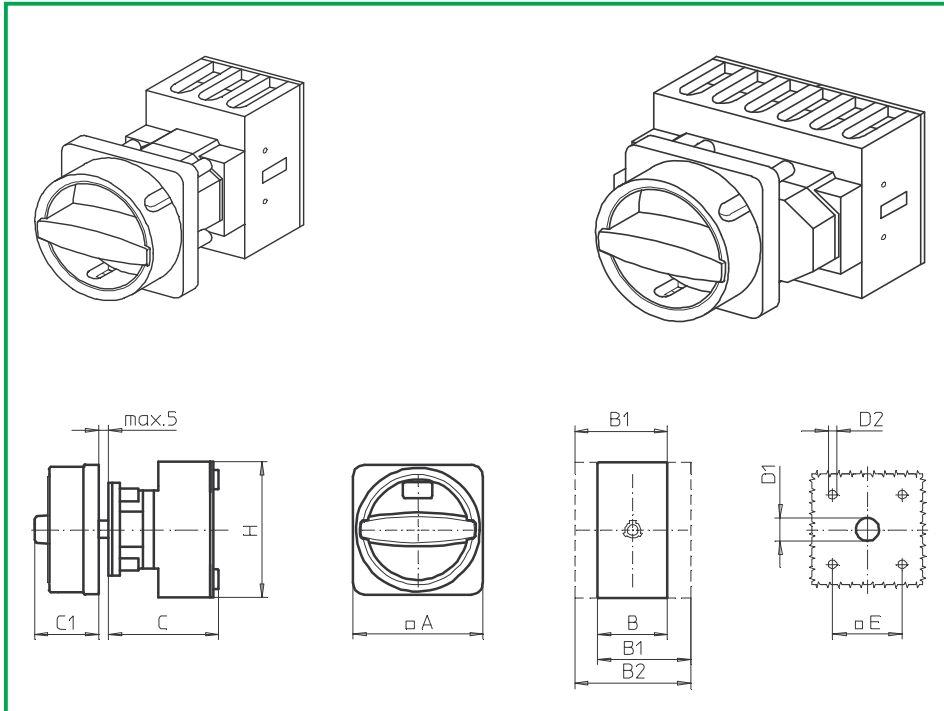
| SMD modules for basic switch A01   |  |  |  |            |  |                   |
|--|--|--|--|------------|--|-------------------|
| Mounting form module for 033M.   |  |  |  | B200-A/ -D |  | <b>BFB2 - 033</b> |
| M-padlock device 67 x 67 mm, mounting form 033M1<br>Escutcheon black, padlockable handle black |  |  |  |            |  | <b>2CM1</b>       |
| M-padlock device 67 x 67 mm, mounting form 033M4<br>Escutcheon yellow, padlockable handle red  |  |  |  |            |  | <b>2CM4</b>       |

| Dimensions (mm) |    |     |     |     |    |    |    |     |    |    |
|-----------------|----|-----|-----|-----|----|----|----|-----|----|----|
| Product lines   | A  | B   | B1  | B2  | C  | C1 | D1 | D2  | E  | H  |
| B200-A          | 67 | 50  | 69  | 88  | 58 | 38 | 15 | 4,5 | 36 | 72 |
| B200-D          | 67 | 100 | 119 | 138 | 70 | 38 | 15 | 4,5 | 36 | 72 |



# Front Mounting Switches

**sälzer**



**Product lines  
B200-A/ -D**

**Front mounting switch**

**Four hole mounting  
36 x 36 mm**

**033N1 (IP66)  
033N4 (IP66)**

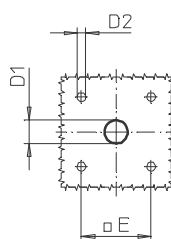
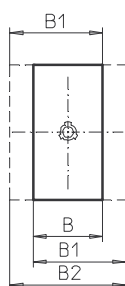
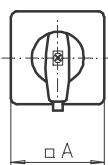
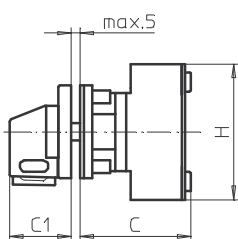
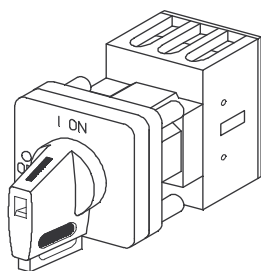
| Complete switch   | Poles   | Product lines | Rated data (IEC 60947)             |                                |            | Order code number  |
|---|---------|---------------|------------------------------------|--------------------------------|------------|--|
|   |         |               | Operational current I <sub>e</sub> | Operational power at 380–440 V |            |  |
|   |         |               | AC-21A<br>A                        | AC-23A<br>kW                   | AC-3<br>kW |  |
| Main Switches<br>OFF position padlockable 09h               | 3 ... 8 | B200-A/ -D    | 50<br>63                           | 18,5<br>22                     | 15<br>18,5 | <b>B250 - 41 ... - 033N1</b><br><b>B263 - 41 ... - 033N1</b> |
| Main/Emergency-OFF Switches<br>OFF position padlockable 09h | 3 ... 8 | B200-A/ -D    | 50<br>63                           | 18,5<br>22                     | 15<br>18,5 | <b>B250 - 41 ... - 033N4</b><br><b>B263 - 41 ... - 033N4</b> |

| SMD modules for basic switch A01   |  |  |  |            |  |                   |
|--|--|--|--|------------|--|-------------------|
| Mounting form module for 033N.   |  |  |  | B200-A/ -D |  | <b>BFB2 - 033</b> |
| N-padlock device 67 x 67 mm, mounting form 033N1<br>Escutcheon black, padlockable handle black |  |  |  |            |  | <b>2CN1</b>       |
| N-padlock device 67 x 67 mm, mounting form 033N4<br>Escutcheon yellow, padlockable handle red  |  |  |  |            |  | <b>2CN4</b>       |

| Dimensions (mm) |    |     |     |     |    |    |    |     |    |    |
|-----------------|----|-----|-----|-----|----|----|----|-----|----|----|
| Product lines   | A  | B   | B1  | B2  | C  | C1 | D1 | D2  | E  | H  |
| B200-A          | 67 | 50  | 69  | 88  | 58 | 33 | 15 | 4,5 | 36 | 72 |
| B200-D          | 67 | 100 | 119 | 138 | 70 | 33 | 15 | 4,5 | 36 | 72 |

# Front Mounting Switches

**sälzer**



**Product line  
B200-A**

**Front mounting switch**

**Four hole mounting  
36 x 36 mm**

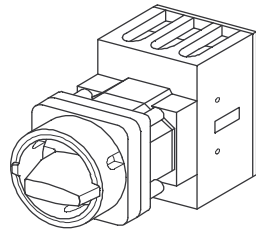
**033V1 (IP66)**

**033V4 (IP66)**

| Complete switch   | Poles    | Product lines | Rated data (IEC 60947)             |                                |            | Order code number            |           |           |          |          |
|---|----------|---------------|------------------------------------|--------------------------------|------------|------------------------------|-----------|-----------|----------|----------|
|   |          |               | Operational current I <sub>e</sub> | Operational power at 380–440 V |            |                              |           |           |          |          |
|   |          |               | AC-21A<br>A                        | AC-23A<br>kW                   | AC-3<br>kW |                              |           |           |          |          |
| Main Switches<br>OFF position padlockable 09h                                       | 3 ... 4  | B200-A        | 50                                 | 18,5                           | 15         | <b>B250 - 41 ... - 033V1</b> |           |           |          |          |
|   |          |               | 63                                 | 22                             | 18,5       | <b>B263 - 41 ... - 033V1</b> |           |           |          |          |
| Main/Emergency-OFF Switches<br>OFF position padlockable 09h                         | 3 ... 4  | B200-A        | 50                                 | 18,5                           | 15         | <b>B250 - 41 ... - 033V4</b> |           |           |          |          |
|   |          |               | 63                                 | 22                             | 18,5       | <b>B263 - 41 ... - 033V4</b> |           |           |          |          |
| <b>SMD modules for basic switch A01</b>   |          |               |                                    |                                |            |                              |           |           |          |          |
| Mounting form module for 033V.  |          |               | B200-A                             |                                |            | <b>BFB2 - 003</b>            |           |           |          |          |
| V-operator module 48 x 48 mm, mounting form 033V1<br>Escutcheon black, handle black |          |               |                                    |                                |            | <b>2AV1 - 09</b>             |           |           |          |          |
| Legend plate silver, operator module 033V1  |          |               |                                    |                                |            | <b>FAS2 - 9078</b>           |           |           |          |          |
| V-operator module 48 x 48 mm, mounting form 033V4<br>Escutcheon black, handle red   |          |               |                                    |                                |            | <b>2AV4 - 09</b>             |           |           |          |          |
| Legend plate yellow, operator module 033V4  |          |               |                                    |                                |            | <b>FBS2 - 9078</b>           |           |           |          |          |
| <b>Dimensions (mm)</b>  |          |               |                                    |                                |            |                              |           |           |          |          |
| <b>Product lines</b>  | <b>A</b> | <b>B</b>      | <b>B1</b>                          | <b>B2</b>                      | <b>C</b>   | <b>C1</b>                    | <b>D1</b> | <b>D2</b> | <b>E</b> | <b>H</b> |
| B200-A  | 48       | 50            | 69                                 | 88                             | 58         | 32                           | 12        | 3,5       | 36       | 72       |

# Front Mounting Switches

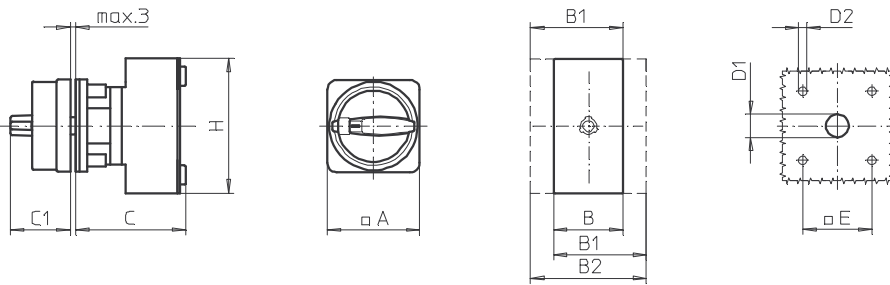
**sälzer**



**Product line  
B200-A**

**Front mounting switch**

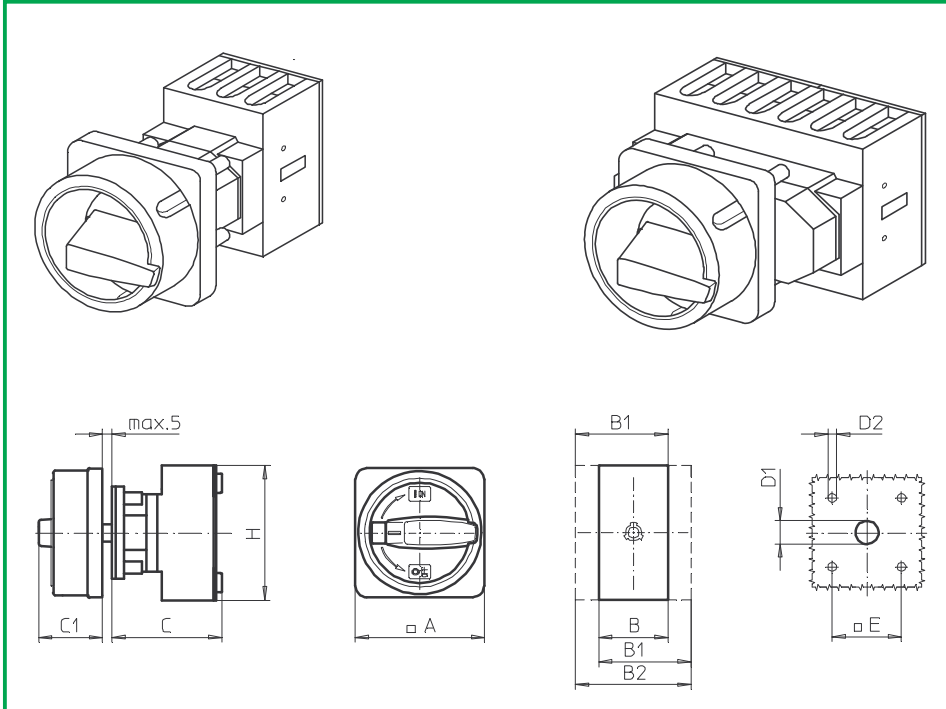
**Four hole mounting  
36 x 36 mm**



**035M1 (IP66)  
035M4 (IP66)**

| Complete switch  | Poles    | Product lines | Rated data (IEC 60947)                            |  |            | Order code number            |           |           |          |          |
|--|----------|---------------|---|--|------------|------------------------------|-----------|-----------|----------|----------|
|  |          |               | Operational current I <sub>e</sub><br>AC-21A<br>A | Operational power at 380–440 V<br>AC-23A<br>kW | AC-3<br>kW |                              |           |           |          |          |
| Main Switches<br>OFF position padlockable 09h  | 3 ... 4  | B200-A        | 50  | 18,5   | 15         | <b>B250 - 41 ... - 035M1</b> |           |           |          |          |
|  |          |               | 63  | 22   | 18,5       | <b>B263 - 41 ... - 035M1</b> |           |           |          |          |
| Main/Emergency-OFF Switches<br>OFF position padlockable 09h                                    | 3 ... 4  | B200-A        | 50  | 18,5   | 15         | <b>B250 - 41 ... - 035M4</b> |           |           |          |          |
|  |          |               | 63  | 22   | 18,5       | <b>B263 - 41 ... - 035M4</b> |           |           |          |          |
| <b>SMD modules for basic switch A01</b>  |          |               |   |  |            |                              |           |           |          |          |
| Mounting form module for 035M.   |          |               | B200-A  |  |            | <b>BFB2 - 003</b>            |           |           |          |          |
| M-padlock device 48 x 48 mm, mounting form 035M1<br>Escutcheon black, padlockable handle black |          |               |   |  |            | <b>2BM1</b>                  |           |           |          |          |
| M-padlock device 48 x 48 mm, mounting form 035M4<br>Escutcheon yellow, padlockable handle red  |          |               |   |  |            | <b>2BM4</b>                  |           |           |          |          |
| <b>Dimensions (mm)</b>   |          |               |   |  |            |                              |           |           |          |          |
| <b>Product lines</b>   | <b>A</b> | <b>B</b>      | <b>B1</b>   | <b>B2</b>                                      | <b>C</b>   | <b>C1</b>                    | <b>D1</b> | <b>D2</b> | <b>E</b> | <b>H</b> |
| B200-A   | 48       | 50            | 69  | 88   | 58         | 31                           | 12        | 4,5       | 38       | 72       |

# Front Mounting Switches



**Product line**  
**B200-A/ -D**

**Front mounting switch**  
 Operator module of next size

**Four hole mounting**  
 48 x 48 mm

**036M1 (IP66)**  
**036M4 (IP66)**

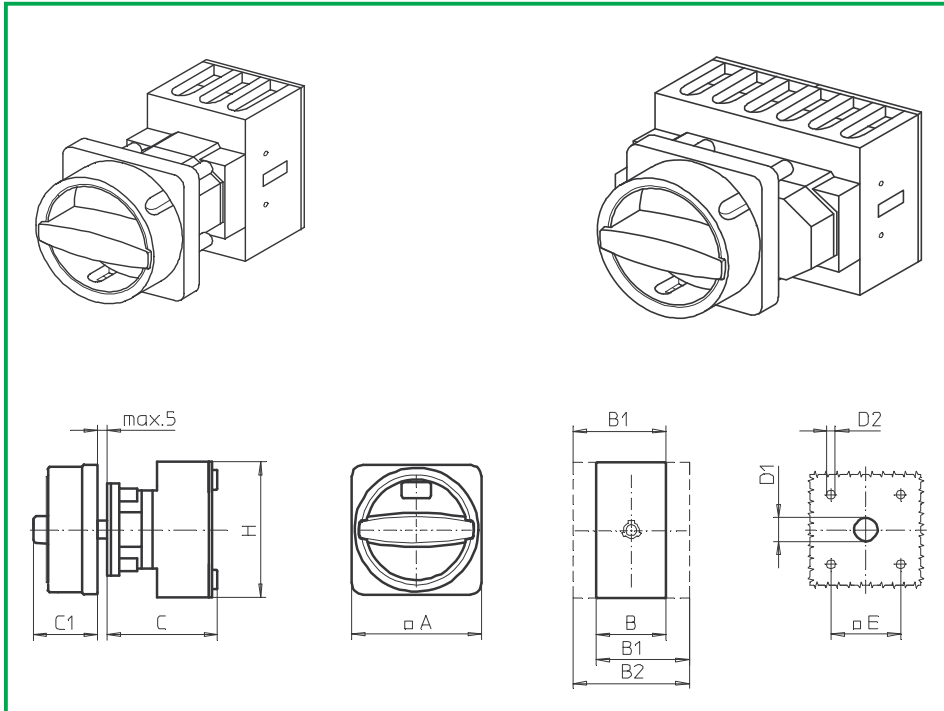
| Complete switch   | Poles   | Product lines | Rated data (IEC 60947)             |                                |            | Order code number  |
|---|---------|---------------|------------------------------------|--------------------------------|------------|--|
|   |         |               | Operational current I <sub>e</sub> | Operational power at 380–440 V |            |  |
|   |         |               | AC-21A<br>A                        | AC-23A<br>kW                   | AC-3<br>kW |  |
| Main Switches<br>OFF position padlockable 09h               | 3 ... 8 | B200-A/ -D    | 50<br>63                           | 18,5<br>22                     | 15<br>18,5 | <b>B250 - 41 ... - 036M1</b><br><b>B263 - 41 ... - 036M1</b> |
| Main/Emergency-OFF Switches<br>OFF position padlockable 09h | 3 ... 8 | B200-A/ -D    | 50<br>63                           | 18,5<br>22                     | 15<br>18,5 | <b>B250 - 41 ... - 036M4</b><br><b>B263 - 41 ... - 036M4</b> |

| SMD modules for basic switch A01   |  |  |  |  |            |                   |
|--|--|--|--|--|------------|-------------------|
| Mounting form module for 036M.   |  |  |  |  | B200-A/ -D | <b>BFB2 - 036</b> |
| M-padlock device 67 x 67 mm, mounting form 036M1<br>Escutcheon black, padlockable handle black |  |  |  |  |            | <b>4BM1</b>       |
| M-padlock device 67 x 67 mm, mounting form 036M4<br>Escutcheon yellow, padlockable handle red  |  |  |  |  |            | <b>4BM4</b>       |

| Dimensions (mm) |    |     |     |     |    |    |    |    |    |    |
|-----------------|----|-----|-----|-----|----|----|----|----|----|----|
| Product lines   | A  | B   | B1  | B2  | C  | C1 | D1 | D2 | E  | H  |
| B200-A          | 67 | 50  | 69  | 88  | 58 | 38 | 15 | 5  | 48 | 72 |
| B200-D          | 67 | 100 | 119 | 138 | 70 | 38 | 15 | 5  | 48 | 72 |

# Front Mounting Switches

**sälzer**



**Product lines  
B200-A/ -D**

**Front mounting switch**  
Operator module of next size

**Four hole mounting**  
48 x 48 mm

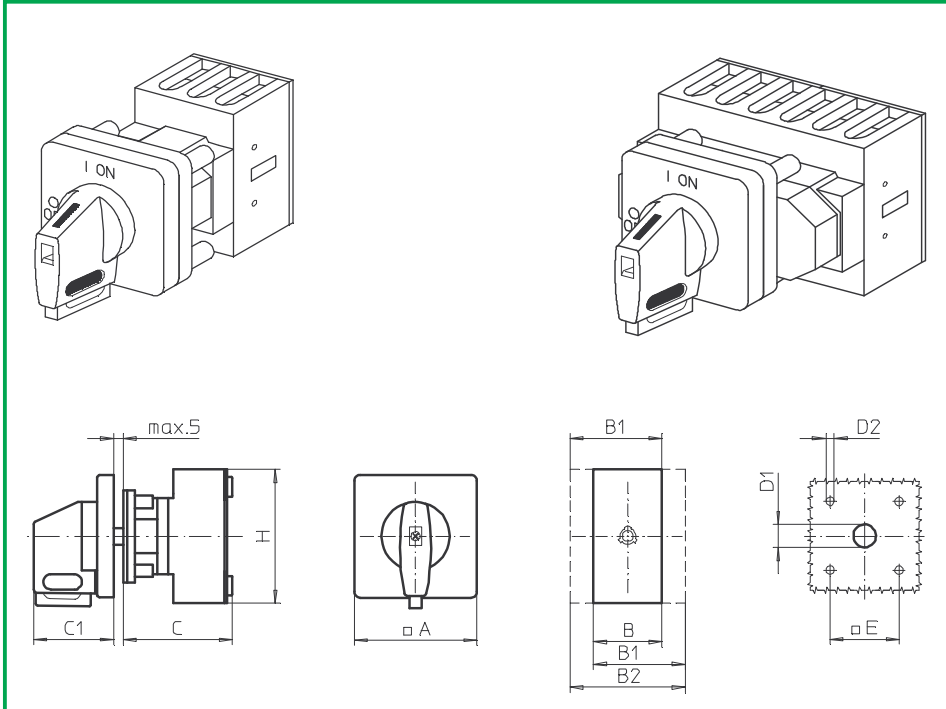
**036N1 (IP66)**  
**036N4 (IP66)**

| Complete switch   | Poles   | Product lines | Rated data (IEC 60947)             |                                |            | Order code number  |
|---|---------|---------------|------------------------------------|--------------------------------|------------|--|
|   |         |               | Operational current I <sub>e</sub> | Operational power at 380–440 V |            |  |
|   |         |               | AC-21A<br>A                        | AC-23A<br>kW                   | AC-3<br>kW |  |
| Main Switches<br>OFF position padlockable 09h               | 3 ... 8 | B200-A/ -D    | 50<br>63                           | 18,5<br>22                     | 15<br>18,5 | <b>B250 - 41 ... - 036N1</b><br><b>B263 - 41 ... - 036N1</b> |
| Main/Emergency-OFF Switches<br>OFF position padlockable 09h | 3 ... 8 | B200-A/ -D    | 50<br>63                           | 18,5<br>22                     | 15<br>18,5 | <b>B250 - 41 ... - 036N4</b><br><b>B263 - 41 ... - 036N4</b> |

| SMD modules for basic switch A01   |  |  |  |            |  |                   |
|--|--|--|--|------------|--|-------------------|
| Mounting form module for 036N.   |  |  |  | B200-A/ -D |  | <b>BFB2 - 036</b> |
| N-padlock device 67 x 67 mm, mounting form 036N1<br>Escutcheon black, padlockable handle black |  |  |  |            |  | <b>4BN1</b>       |
| N-padlock device 67 x 67 mm, mounting form 036N4<br>Escutcheon yellow, padlockable handle red  |  |  |  |            |  | <b>4BN4</b>       |

| Dimensions (mm) |    |     |     |     |    |    |    |    |    |    |
|-----------------|----|-----|-----|-----|----|----|----|----|----|----|
| Product lines   | A  | B   | B1  | B2  | C  | C1 | D1 | D2 | E  | H  |
| B200-A          | 67 | 50  | 69  | 88  | 58 | 33 | 15 | 5  | 48 | 72 |
| B200-D          | 67 | 100 | 119 | 138 | 70 | 33 | 15 | 5  | 48 | 72 |

# Front Mounting Switches



**Product lines**  
**B200-A/ -D**

**Front mounting switch**  
 Operator module of next size

**Four hole mounting**  
 48 x 48 mm

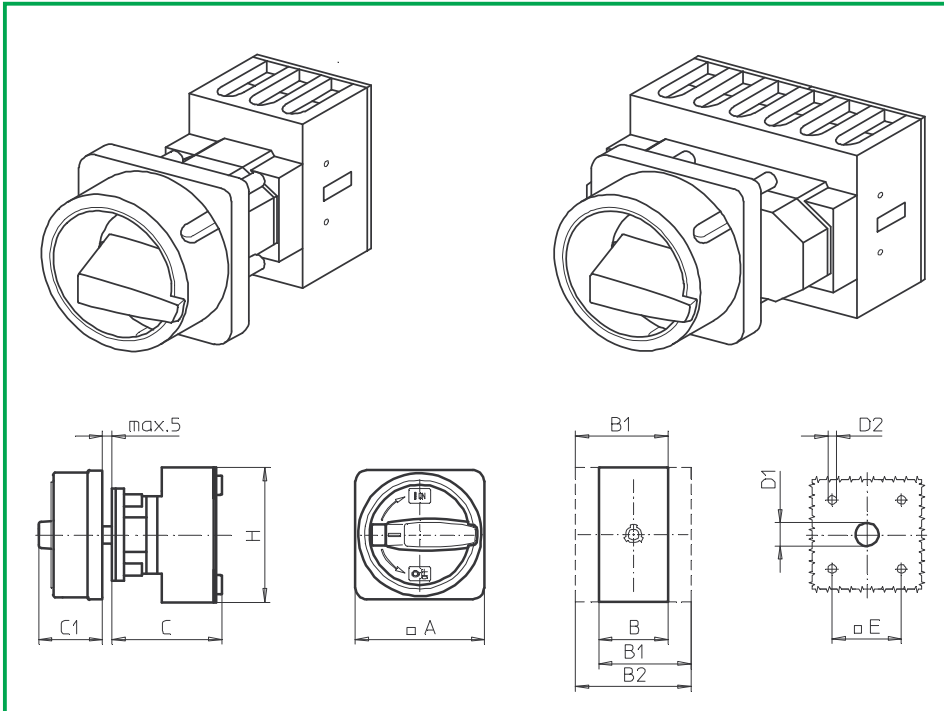
**036V1 (IP66)**  
**036V4 (IP66)**

| Complete switch   | Poles   | Product lines | Rated data (IEC 60947)             |                                |            | Order code number  |
|---|---------|---------------|------------------------------------|--------------------------------|------------|--|
|   |         |               | Operational current I <sub>e</sub> | Operational power at 380–440 V |            |  |
|   |         |               | AC-21A<br>A                        | AC-23A<br>kW                   | AC-3<br>kW |  |
| Main Switches<br>OFF position padlockable 09h               | 3 ... 8 | B200-A/ -D    | 50<br>63                           | 18,5<br>22                     | 15<br>18,5 | <b>B250 - 41 ... - 036V1</b><br><b>B263 - 41 ... - 036V1</b> |
| Main/Emergency-OFF Switches<br>OFF position padlockable 09h | 3 ... 8 | B200-A/ -D    | 50<br>63                           | 18,5<br>22                     | 15<br>18,5 | <b>B250 - 41 ... - 036V4</b><br><b>B263 - 41 ... - 036V4</b> |

| SMD modules for basic switch A01  |  |            |                    |
|---|--|------------|--------------------|
| Mounting form module for 036V.  |  | B200-A/ -D | <b>BFB2 - 013</b>  |
| V-operator module 64 x 64 mm, mounting form 036V1<br>Escutcheon black, handle black |  |            | <b>4AV1 - 09</b>   |
| Legend plate silver, operator module 036V1  |  |            | <b>FAS4 - 9078</b> |
| V-operator module 64 x 64 mm, mounting form 036V4<br>Escutcheon black, handle red   |  |            | <b>4AV4 - 09</b>   |
| Legend plate yellow, operator module 036V4  |  |            | <b>FBS4 - 9078</b> |

| Dimensions (mm) |    |     |     |     |    |    |    |    |    |    |
|-----------------|----|-----|-----|-----|----|----|----|----|----|----|
| Product lines   | A  | B   | B1  | B2  | C  | C1 | D1 | D2 | E  | H  |
| B200-A          | 64 | 50  | 69  | 88  | 58 | 39 | 15 | 5  | 48 | 72 |
| B200-D          | 64 | 100 | 119 | 138 | 70 | 39 | 15 | 5  | 48 | 72 |

# Front Mounting Switches



**Product lines**  
**B200-A/ -D**

**Front mounting switch**  
 Operator module of size 600

**Four hole mounting**  
 68 x 68 mm

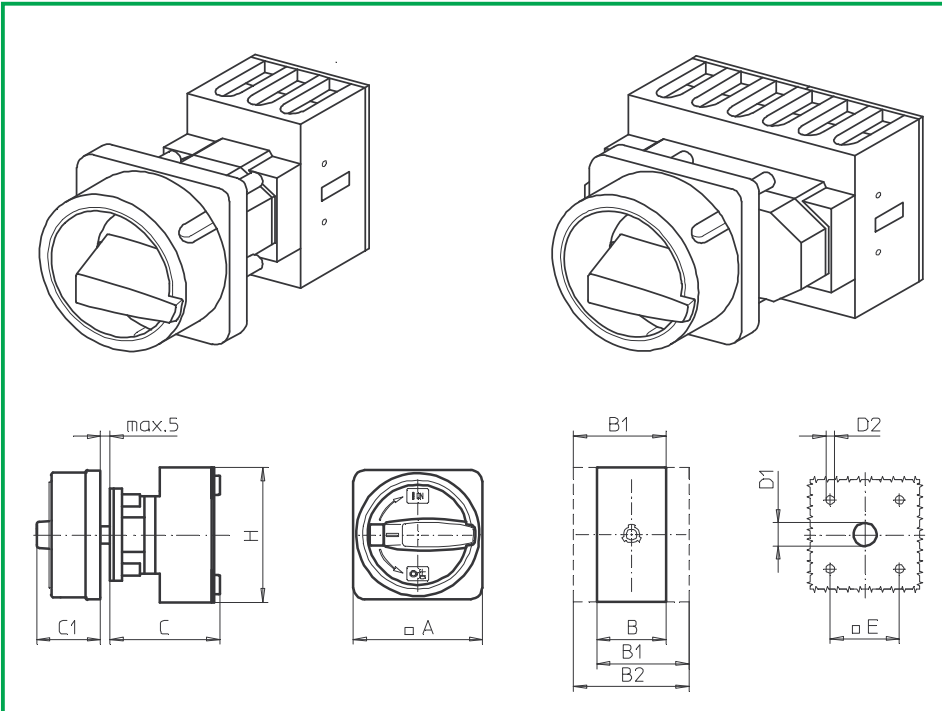
**136M1 (IP66)**  
**136M4 (IP66)**

| Complete switch   | Poles   | Product lines | Rated data (IEC 60947)             |                                |            | Order code number  |
|---|---------|---------------|------------------------------------|--------------------------------|------------|--|
|   |         |               | Operational current I <sub>e</sub> | Operational power at 380–440 V |            |  |
|   |         |               | AC-21A<br>A                        | AC-23A<br>kW                   | AC-3<br>kW |  |
| Main Switches<br>OFF position padlockable 09h               | 3 ... 8 | B200-A/ -D    | 50<br>63                           | 18,5<br>22                     | 15<br>18,5 | <b>B250 - 41 ... - 136M1</b><br><b>B263 - 41 ... - 136M1</b> |
| Main/Emergency-OFF Switches<br>OFF position padlockable 09h | 3 ... 8 | B200-A/ -D    | 50<br>63                           | 18,5<br>22                     | 15<br>18,5 | <b>B250 - 41 ... - 136M4</b><br><b>B263 - 41 ... - 136M4</b> |

| SMD modules for basic switch A01   |  |            |                   |
|--|--|------------|-------------------|
| Mounting form module for 136M.   |  | B200-A/ -D | <b>BFA2 - 136</b> |
| M-padlock device 88 x 88 mm, mounting form 136M1<br>Escutcheon black, padlockable handle black |  |            | <b>6HM1</b>       |
| M-padlock device 88 x 88 mm, mounting form 136M4<br>Escutcheon yellow, padlockable handle red  |  |            | <b>6HM4</b>       |

| Dimensions (mm) |    |     |     |     |    |    |    |     |    |    |
|-----------------|----|-----|-----|-----|----|----|----|-----|----|----|
| Product lines   | A  | B   | B1  | B2  | C  | C1 | D1 | D2  | E  | H  |
| B200-A          | 88 | 50  | 69  | 88  | 58 | 50 | 15 | 5,5 | 68 | 72 |
| B200-D          | 88 | 100 | 119 | 138 | 70 | 50 | 15 | 5,5 | 68 | 72 |

# Front Mounting Switches



**Product lines**  
**B200 -A/ -D**

**Front mounting switch**  
 Operator module of size 600

**Four hole mounting**  
 68 x 68 mm

**136N1 (IP66)**  
**136N4 (IP66)**

| Complete switch   | Poles   | Product lines | Rated data (IEC 60947)             |                                |            | Order code number            |
|---|---------|---------------|------------------------------------|--------------------------------|------------|------------------------------|
|   |         |               | Operational current I <sub>e</sub> | Operational power at 380–440 V |            |                              |
|   |         |               | AC-21A<br>A                        | AC-23A<br>kW                   | AC-3<br>kW |                              |
| Main Switches<br>OFF position padlockable 09h               | 3 ... 8 | B200-A/ -D    | 50                                 | 18,5                           | 15         | <b>B250 - 41 ... - 136N1</b> |
|   |         |               | 63                                 | 22                             | 18,5       | <b>B263 - 41 ... - 136N1</b> |
| Main/Emergency-OFF Switches<br>OFF position padlockable 09h | 3 ... 8 | B200-A/ -D    | 50                                 | 18,5                           | 15         | <b>B250 - 41 ... - 136N4</b> |
|   |         |               | 63                                 | 22                             | 18,5       | <b>B263 - 41 ... - 136N4</b> |

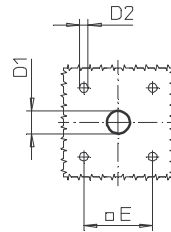
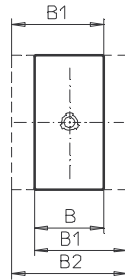
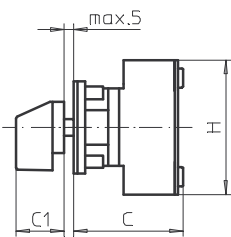
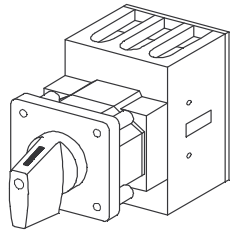
| SMD modules for basic switch A01   |  |            |                   |
|--|--|------------|-------------------|
| Mounting form module for 136N.   |  | B200-A/ -D | <b>BFA2 - 136</b> |
| N-padlock device 88 x 88 mm, mounting form 136N1<br>Escutcheon black, padlockable handle black |  |            | <b>6HN1</b>       |
| N-padlock device 88 x 88 mm, mounting form 136N4<br>Escutcheon yellow, padlockable handle red  |  |            | <b>6HN4</b>       |

| Dimensions (mm) |    |     |     |     |    |    |    |     |    |    |
|-----------------|----|-----|-----|-----|----|----|----|-----|----|----|
| Product lines   | A  | B   | B1  | B2  | C  | C1 | D1 | D2  | E  | H  |
| B200-A          | 88 | 50  | 69  | 88  | 58 | 45 | 15 | 5,5 | 68 | 72 |
| B200-D          | 88 | 100 | 119 | 138 | 70 | 45 | 15 | 5,5 | 68 | 72 |



# Front Mounting Switches

**sälzer**



**Product line  
B200-A**

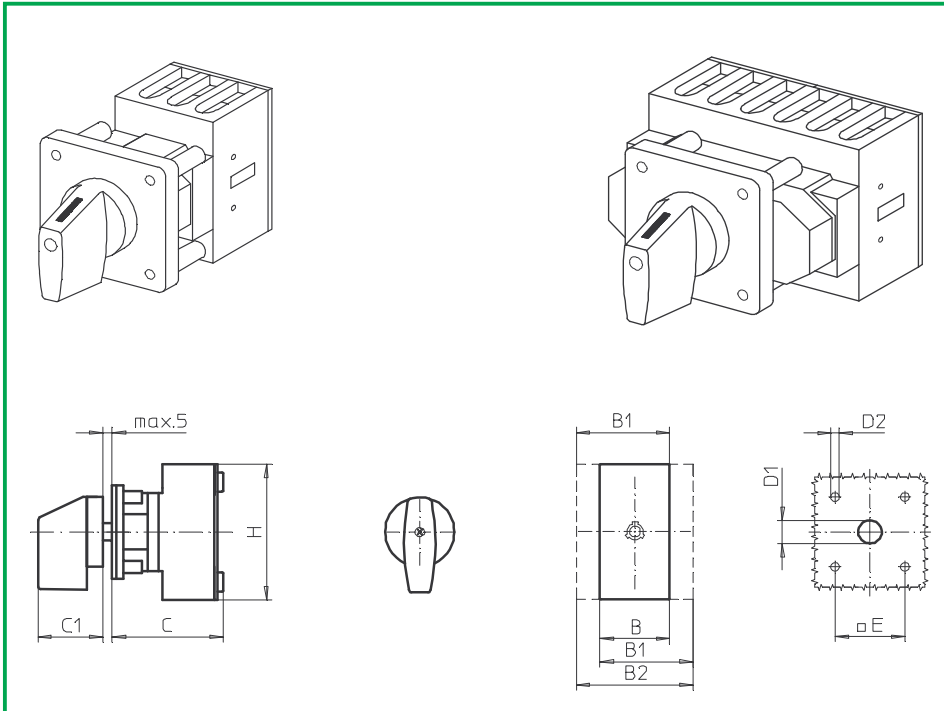
**Front mounting switch  
without escutcheon**

**Four hole mounting  
36 x 36 mm**

**103M1 (IP66)**

| Complete switch  | Poles    | Product lines | Rated data (IEC 60947)             |                                |            | Order code number  |           |          |          |
|--|----------|---------------|------------------------------------|--------------------------------|------------|--|-----------|----------|----------|
|  |          |               | Operational current I <sub>e</sub> | Operational power at 380–440 V |            |  |           |          |          |
|  |          |               | AC-21A<br>A                        | AC-23A<br>kW                   | AC-3<br>kW |  |           |          |          |
| ON-OFF Switches<br>Switching angle 90°                                       | 3 ... 4  | B200-A        | 50<br>63                           | 18,5<br>22                     | 15<br>18,5 | <b>B250 - 41 ... - 103M1</b><br><b>B263 - 41 ... - 103M1</b> |           |          |          |
| <b>SMD modules for basic switch A01</b>                                      |          |               |                                    |                                |            |  |           |          |          |
| Mounting form module for 103M1<br>(shaft shortened by 5 mm)                  |          |               |                                    | B200-A                         |            | <b>BFB2 - 103</b>  |           |          |          |
| M-handle black, mounting form 103M1<br>(without escutcheon and legend plate) |          |               |                                    |                                |            | <b>2XM1</b>  |           |          |          |
| <b>Dimensions (mm)</b>   |          |               |                                    |                                |            |  |           |          |          |
| <b>Product lines</b>   | <b>B</b> | <b>B1</b>     | <b>B2</b>                          | <b>C</b>                       | <b>C1</b>  | <b>D1</b>  | <b>D2</b> | <b>E</b> | <b>H</b> |
| B200-A   | 50       | 69            | 88                                 | 58                             | 25         | 12   | 4,5       | 36       | 72       |

# Front Mounting Switches



**Product lines**  
**B200-A/ -D/ -E**

**Front mounting switch**  
Operator module of next size  
without escutcheon

**Four hole mounting**  
48 x 48 mm

**113M1 (IP66)**

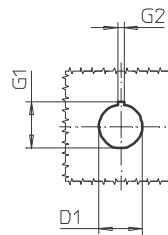
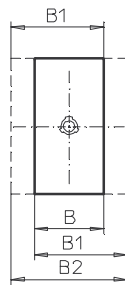
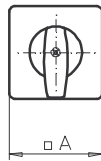
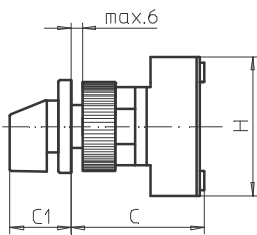
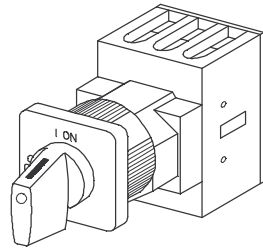
| Complete switch                            | Poles   | Product lines | Rated data (IEC 60947)             |                                |            | Order code number  |
|--|---------|---------------|------------------------------------|--------------------------------|------------|--|
|  |         |               | Operational current I <sub>e</sub> | Operational power at 380–440 V |            |  |
|  |         |               | AC-21A<br>A                        | AC-23A<br>kW                   | AC-3<br>kW |  |
| ON-OFF Switches<br>Switching angle 90°     | 3 ... 8 | B200-A/ -D    | 50<br>63                           | 18,5<br>22                     | 15<br>18,5 | <b>B250 - 41 ... - 113M1</b><br><b>B263 - 41 ... - 113M1</b> |
| Changeover with OFF<br>Switching angle 90° | 3 ... 4 | B200-E        | 50<br>63                           | 18,5<br>22                     | 15<br>18,5 | <b>B250 - 71 ... - 113M1</b><br><b>B263 - 71 ... - 113M1</b> |

| SMD modules for basic switch A01   |                |                   |
|--|----------------|-------------------|
| Mounting form module for 113M1<br>(shaft shortened by 5 mm)                  | B200-A/ -D/ -E | <b>BFB2 - 036</b> |
| M-handle black, mounting form 113M1<br>(without escutcheon and legend plate) |                | <b>4XM1</b>       |

| Dimensions (mm) |     |     |     |    |    |    |    |    |    |
|-----------------|-----|-----|-----|----|----|----|----|----|----|
| Product lines   | B   | B1  | B2  | C  | C1 | D1 | D2 | E  | H  |
| B200-A          | 50  | 69  | 88  | 58 | 30 | 15 | 5  | 48 | 72 |
| B200-D          | 100 | 119 | 138 | 70 | 30 | 15 | 5  | 48 | 72 |
| B200-E          | 100 | 119 | 138 | 70 | 30 | 15 | 5  | 48 | 72 |

# Front Mounting Switches

**sälzer**



**Product line  
B200-A**

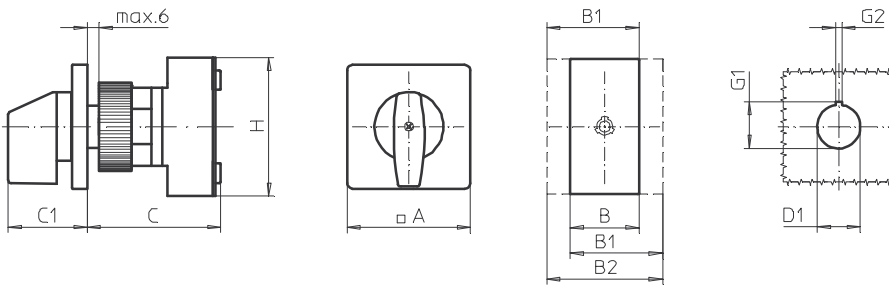
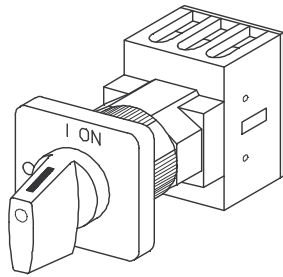
**Front mounting switch**

**Single hole mounting**  
ø 22,5 mm

**219M1 (IP66)**

| Complete switch   | Poles   | Product lines | Rated data (IEC 60947)             |                                |            | Order code number  |      |      |     |    |
|---|---------|---------------|------------------------------------|--------------------------------|------------|--|------|------|-----|----|
|   |         |               | Operational current I <sub>e</sub> | Operational power at 380–440 V |            |  |      |      |     |    |
|   |         |               | AC-21A<br>A                        | AC-23A<br>kW                   | AC-3<br>kW |  |      |      |     |    |
| ON-OFF Switches<br>Switching angle 90°  | 3 ... 4 | B200-A        | 50<br>63                           | 18,5<br>22                     | 15<br>18,5 | <b>B250 - 41 ... - 219M1</b><br><b>B263 - 41 ... - 219M1</b> |      |      |     |    |
| <b>SMD modules for basic switch A01</b>   |         |               |                                    |                                |            |  |      |      |     |    |
| Mounting form module for 219M1  |         |               | B200-A                             |                                |            | <b>BFB2 - 219</b>  |      |      |     |    |
| M-operator module 48 x 48 mm, mounting form 219M1<br>Escutcheon black, handle black |         |               |                                    |                                |            | <b>2DM1</b>  |      |      |     |    |
| Legend plate silver, operator module 219M1  |         |               |                                    |                                |            | <b>FAS2 - 9...</b> (FA number)                               |      |      |     |    |
| <b>Dimensions (mm)</b>  |         |               |                                    |                                |            |  |      |      |     |    |
| Product line  | A       | B             | B1                                 | B2                             | C          | C1   | D1   | G1   | G2  | H  |
| B200-A  | 48      | 50            | 69                                 | 88                             | 75         | 32   | 22,5 | 24,2 | 3,2 | 72 |

# Front Mounting Switches



**Product line  
B200-A**

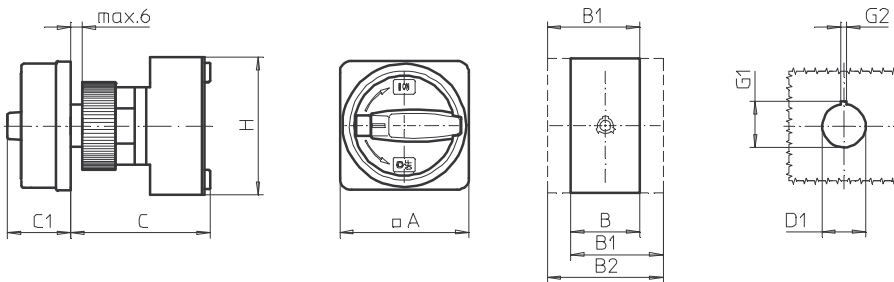
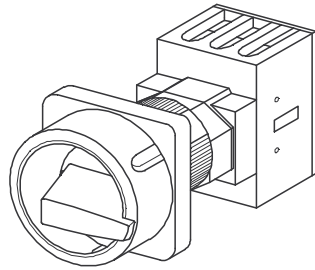
**Front mounting switch**  
Operator module of next size

**Single hole mounting**  
ø 22,5 mm

**214M1 (IP66)**

| Complete switch   | Poles    | Product lines | Rated data (IEC 60947)             |                                |            | Order code number  |           |           |           |          |
|---|----------|---------------|------------------------------------|--------------------------------|------------|--|-----------|-----------|-----------|----------|
|   |          |               | Operational current I <sub>e</sub> | Operational power at 380–440 V |            |  |           |           |           |          |
|   |          |               | AC-21A<br>A                        | AC-23A<br>kW                   | AC-3<br>kW |  |           |           |           |          |
| ON-OFF Switches<br>Switching angle 90°  | 3 ... 4  | B200-A        | 50<br>63                           | 18,5<br>22                     | 15<br>18,5 | <b>B250 - 41 ... - 214M1</b><br><b>B263 - 41 ... - 214M1</b> |           |           |           |          |
| <b>SMD modules for basic switch A01</b>   |          |               |                                    |                                |            |  |           |           |           |          |
| Mounting form module for 214M1  |          |               | B200-A                             |                                |            | <b>BFB2 - 219</b>  |           |           |           |          |
| M-operator module 64 x 64 mm, mounting form 214M1<br>Escutcheon black, handle black |          |               |                                    |                                |            | <b>2KM1</b>  |           |           |           |          |
| Legend plate silver, operator module 214M1  |          |               |                                    |                                |            | <b>FAS4 - 9...</b> (FA number)                               |           |           |           |          |
| <b>Dimensions (mm)</b>  |          |               |                                    |                                |            |  |           |           |           |          |
| <b>Product line</b>   | <b>A</b> | <b>B</b>      | <b>B1</b>                          | <b>B2</b>                      | <b>C</b>   | <b>C1</b>  | <b>D1</b> | <b>G1</b> | <b>G2</b> | <b>H</b> |
| B200-A  | 64       | 50            | 69                                 | 88                             | 75         | 39   | 22,5      | 24,2      | 3,2       | 72       |

# Front Mounting Switches



**Product line  
B200-A**

**Front mounting switch**

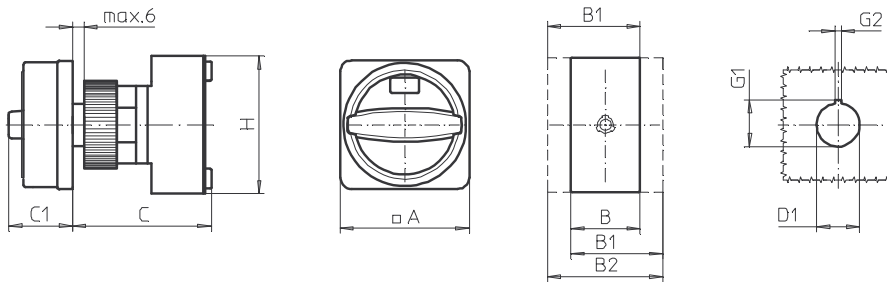
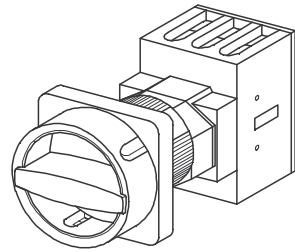
**Single hole mounting**  
ø 22,5 mm

**206M1 (IP66)**  
**206M4 (IP66)**

| Complete switch  | Poles    | Product lines | Rated data (IEC 60947)             |                                |            | Order code number            |           |           |           |          |
|--|----------|---------------|------------------------------------|--------------------------------|------------|------------------------------|-----------|-----------|-----------|----------|
|  |          |               | Operational current I <sub>e</sub> | Operational power at 380–440 V |            |                              |           |           |           |          |
|  |          |               | AC-21A<br>A                        | AC-23A<br>kW                   | AC-3<br>kW |                              |           |           |           |          |
| Main Switches<br>OFF position padlockable 09h  | 3 ... 4  | B200-A        | 50                                 | 18,5                           | 15         | <b>B250 - 41 ... - 206M1</b> |           |           |           |          |
|  |          |               | 63                                 | 22                             | 18,5       | <b>B263 - 41 ... - 206M1</b> |           |           |           |          |
| Main/Emergency-OFF Switches<br>OFF position padlockable 09h                                    | 3 ... 4  | B200-A        | 50                                 | 18,5                           | 15         | <b>B250 - 41 ... - 206M4</b> |           |           |           |          |
|  |          |               | 63                                 | 22                             | 18,5       | <b>B263 - 41 ... - 206M4</b> |           |           |           |          |
| <b>SMD modules for basic switch A01</b>  |          |               |                                    |                                |            |                              |           |           |           |          |
| Mounting form module for 206M.   |          |               | B200-A                             |                                |            | <b>BFB2 - 219</b>            |           |           |           |          |
| M-padlock device 67 x 67 mm, mounting form 206M1<br>Escutcheon black, padlockable handle black |          |               |                                    |                                |            | <b>2FM1</b>                  |           |           |           |          |
| M-padlock device 67 x 67 mm, mounting form 206M4<br>Escutcheon yellow, padlockable handle red  |          |               |                                    |                                |            | <b>2FM4</b>                  |           |           |           |          |
| <b>Dimensions (mm)</b>   |          |               |                                    |                                |            |                              |           |           |           |          |
| <b>Product line</b>  | <b>A</b> | <b>B</b>      | <b>B1</b>                          | <b>B2</b>                      | <b>C</b>   | <b>C1</b>                    | <b>D1</b> | <b>G1</b> | <b>G2</b> | <b>H</b> |
| B200-A   | 67       | 50            | 69                                 | 88                             | 75         | 38                           | 22,5      | 24,2      | 3,2       | 72       |

# Front Mounting Switches

**sälzer**



**Product line  
B200-A**

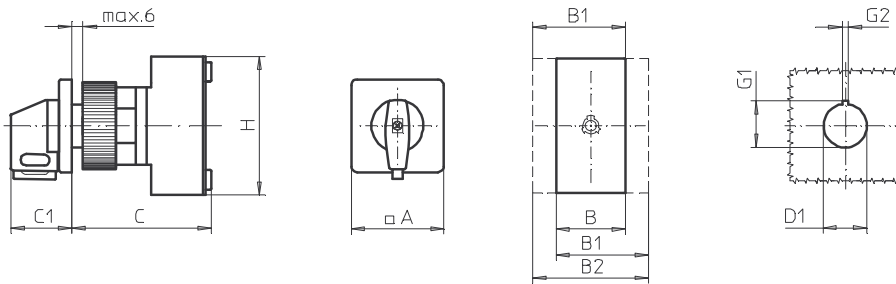
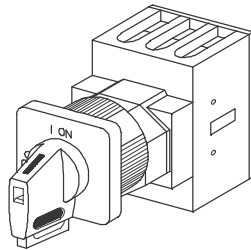
**Front mounting switch**

**Single hole mounting  
ø 22,5 mm**

**206N1 (IP66)  
206N4 (IP66)**

| Complete switch  | Poles    | Product lines | Rated data (IEC 60947)             |                                |            | Order code number  |           |           |           |          |
|--|----------|---------------|------------------------------------|--------------------------------|------------|--|-----------|-----------|-----------|----------|
|  |          |               | Operational current I <sub>e</sub> | Operational power at 380–440 V |            |  |           |           |           |          |
|  |          |               | AC-21A<br>A                        | AC-23A<br>kW                   | AC-3<br>kW |  |           |           |           |          |
| Main Switches<br>OFF position padlockable 09h  | 3 ... 4  | B200-A        | 50<br>63                           | 18,5<br>22                     | 15<br>18,5 | <b>B250 - 41 ... - 206N1</b><br><b>B263 - 41 ... - 206N1</b> |           |           |           |          |
| Main/Emergency-OFF Switches<br>OFF position padlockable 09h                                    | 3 ... 4  | B200-A        | 50<br>63                           | 18,5<br>22                     | 15<br>18,5 | <b>B250 - 41 ... - 206N4</b><br><b>B263 - 41 ... - 206N4</b> |           |           |           |          |
| <b>SMD modules for basic switch A01</b>  |          |               |                                    |                                |            |  |           |           |           |          |
| Mounting form module for 206N.   |          |               | B200-A                             |                                |            | <b>BFB2 - 219</b>  |           |           |           |          |
| N-padlock device 67 x 67 mm, mounting form 206N1<br>Escutcheon black, padlockable handle black |          |               |                                    |                                |            | <b>2FN1</b>  |           |           |           |          |
| N-padlock device 67 x 67 mm, mounting form 206N4<br>Escutcheon yellow, padlockable handle red  |          |               |                                    |                                |            | <b>2FN4</b>  |           |           |           |          |
| <b>Dimensions (mm)</b>   |          |               |                                    |                                |            |  |           |           |           |          |
| <b>Product line</b>  | <b>A</b> | <b>B</b>      | <b>B1</b>                          | <b>B2</b>                      | <b>C</b>   | <b>C1</b>  | <b>D1</b> | <b>G1</b> | <b>G2</b> | <b>H</b> |
| B200-A   | 67       | 50            | 69                                 | 88                             | 75         | 33   | 22,5      | 24,2      | 3,2       | 72       |

# Front Mounting Switches



**Product line  
B200-A**

**Front mounting switch**

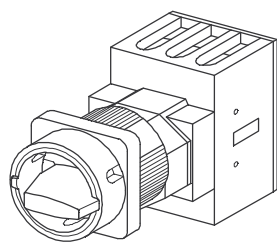
**Single hole mounting**  
ø 22,5 mm

**206V1 (IP66)**  
**206V4 (IP66)**

| Complete switch   | Poles    | Product lines | Rated data (IEC 60947)             |                                |            | Order code number  |           |           |           |          |
|---|----------|---------------|------------------------------------|--------------------------------|------------|--|-----------|-----------|-----------|----------|
|   |          |               | Operational current I <sub>e</sub> | Operational power at 380–440 V |            |  |           |           |           |          |
|   |          |               | AC-21A<br>A                        | AC-23A<br>kW                   | AC-3<br>kW |  |           |           |           |          |
| Main Switches<br>OFF position padlockable 09h                                       | 3 ... 4  | B200-A        | 50<br>63                           | 18,5<br>22                     | 15<br>18,5 | <b>B250 - 41 ... - 206V1</b><br><b>B263 - 41 ... - 206V1</b> |           |           |           |          |
| Main/Emergency-OFF Switches<br>OFF position padlockable 09h                         | 3 ... 4  | B200-A        | 50<br>63                           | 18,5<br>22                     | 15<br>18,5 | <b>B250 - 41 ... - 206V4</b><br><b>B263 - 41 ... - 206V4</b> |           |           |           |          |
| <b>SMD modules for basic switch A01</b>   |          |               |                                    |                                |            |  |           |           |           |          |
| Mounting form module for 206V.  |          |               | B200-A                             |                                |            | <b>BFB2 - 219</b>  |           |           |           |          |
| V-operator module 48 x 48 mm, mounting form 206V1<br>Escutcheon black, handle black |          |               |                                    |                                |            | <b>2DV1 - 09</b>   |           |           |           |          |
| Legend plate silver, operator module 206V1  |          |               |                                    |                                |            | <b>FAS2 - 9078</b>   |           |           |           |          |
| V-operator module 48 x 48 mm, mounting form 206V4<br>Escutcheon black, handle red   |          |               |                                    |                                |            | <b>2DV4 - 09</b>   |           |           |           |          |
| Legend plate yellow, operator module 206V4  |          |               |                                    |                                |            | <b>FBS2 - 9078</b>   |           |           |           |          |
| <b>Dimensions (mm)</b>  |          |               |                                    |                                |            |  |           |           |           |          |
| <b>Product line</b>   | <b>A</b> | <b>B</b>      | <b>B1</b>                          | <b>B2</b>                      | <b>C</b>   | <b>C1</b>  | <b>D1</b> | <b>G1</b> | <b>G2</b> | <b>H</b> |
| B200-A  | 48       | 50            | 69                                 | 88                             | 75         | 32   | 22,5      | 24,2      | 3,2       | 72       |

# Front Mounting Switches

**sälzer**

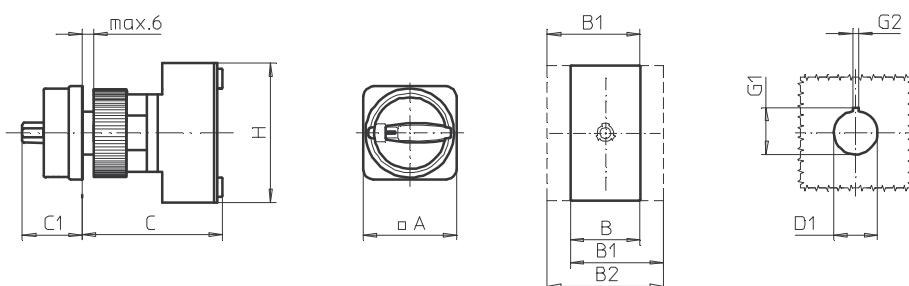


**Product line  
B200-A**

**Front mounting switch**

**Single hole mounting  
ø 22,5 mm**

**205M1 (IP66)  
205M4 (IP66)**



| Complete switch   | Poles   | Product lines | Rated data (IEC 60947)             |                                |            | Order code number  |
|---|---------|---------------|------------------------------------|--------------------------------|------------|--|
|   |         |               | Operational current I <sub>e</sub> | Operational power at 380–440 V |            |  |
|   |         |               | AC-21A<br>A                        | AC-23A<br>kW                   | AC-3<br>kW |  |
| Main Switches<br>OFF position padlockable 09h               | 3 ... 4 | B200-A        | 50<br>63                           | 18,5<br>22                     | 15<br>18,5 | <b>B250 - 41 ... - 205M1</b><br><b>B263 - 41 ... - 205M1</b> |
| Main/Emergency-OFF Switches<br>OFF position padlockable 09h | 3 ... 4 | B200-A        | 50<br>63                           | 18,5<br>22                     | 15<br>18,5 | <b>B250 - 41 ... - 205M4</b><br><b>B263 - 41 ... - 205M4</b> |

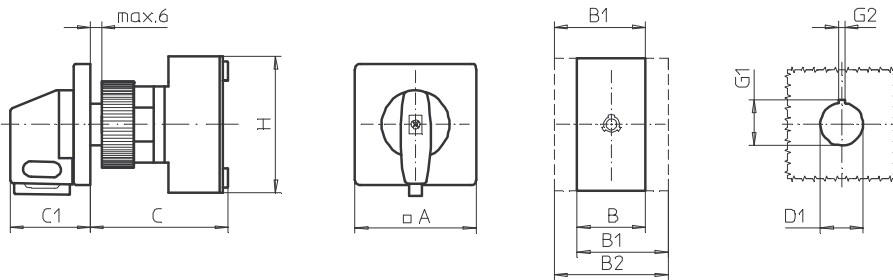
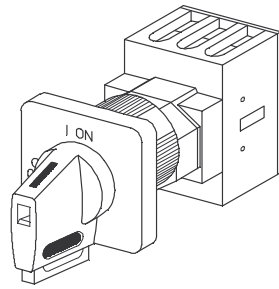
| SMD modules for basic switch A01   |  |  |  |        |  |                   |
|--|--|--|--|--------|--|-------------------|
| Mounting form module for 205M.   |  |  |  | B200-A |  | <b>BFB2 - 219</b> |
| M-padlock device 48 x 48 mm, mounting form 205M1<br>Escutcheon black, padlockable handle black |  |  |  |        |  | <b>2EM1</b>       |
| M-padlock device 48 x 48 mm, mounting form 205M4<br>Escutcheon yellow, padlockable handle red  |  |  |  |        |  | <b>2EM4</b>       |

| Dimensions (mm) |    |    |    |    |    |    |      |      |     |    |
|-----------------|----|----|----|----|----|----|------|------|-----|----|
| Product line    | A  | B  | B1 | B2 | C  | C1 | D1   | G1   | G2  | H  |
| B200-A          | 48 | 50 | 69 | 88 | 75 | 31 | 22,5 | 24,2 | 3,2 | 72 |



# Front Mounting Switches

**sälzer**



**Product line  
B200-A**

**Front mounting switch**  
Operator module of next size

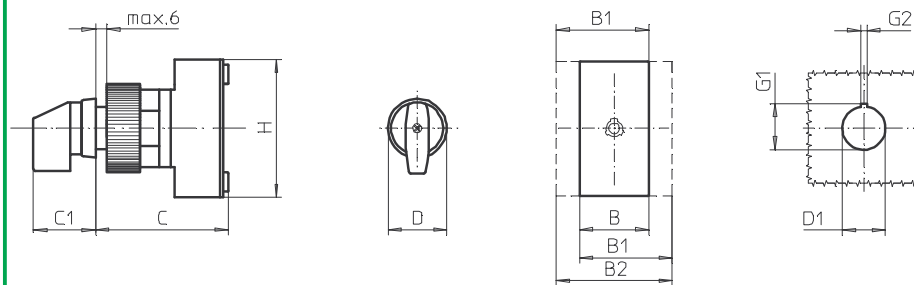
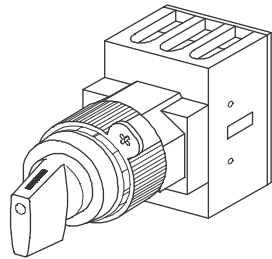
**Single hole mounting**  
ø 22,5 mm

**226V1 (IP66)**  
**226V4 (IP66)**

| Complete switch   | Poles    | Product lines | Rated data (IEC 60947)             |                                |            | Order code number  |           |           |           |          |
|---|----------|---------------|------------------------------------|--------------------------------|------------|--|-----------|-----------|-----------|----------|
|   |          |               | Operational current I <sub>e</sub> | Operational power at 380–440 V |            |  |           |           |           |          |
|   |          |               | AC-21A<br>A                        | AC-23A<br>kW                   | AC-3<br>kW |  |           |           |           |          |
| Main Switches<br>OFF position padlockable 09h                                       | 3 ... 4  | B200-A        | 50<br>63                           | 18,5<br>22                     | 15<br>18,5 | <b>B250 - 41 ... - 226V1</b><br><b>B263 - 41 ... - 226V1</b> |           |           |           |          |
| Main/Emergency-OFF Switches<br>OFF position padlockable 09h                         | 3 ... 4  | B200-A        | 50<br>63                           | 18,5<br>22                     | 15<br>18,5 | <b>B250 - 41 ... - 226V4</b><br><b>B263 - 41 ... - 226V4</b> |           |           |           |          |
| <b>SMD modules for basic switch A01</b>   |          |               |                                    |                                |            |  |           |           |           |          |
| Mounting form module for 226V.  |          |               | B200-A                             |                                |            | <b>BFB2 - 219</b>  |           |           |           |          |
| V-operator module 64 x 64 mm, mounting form 226V1<br>Escutcheon black, handle black |          |               |                                    |                                |            | <b>2KV1 - 09</b>   |           |           |           |          |
| Legend plate silver, operator module 226V1  |          |               |                                    |                                |            | <b>FAS4 - 9078</b>   |           |           |           |          |
| V-operator module 64 x 64 mm, mounting form 226V4<br>Escutcheon black, handle red   |          |               |                                    |                                |            | <b>2KV4 - 09</b>   |           |           |           |          |
| Legend plate yellow, operator module 226V4  |          |               |                                    |                                |            | <b>FBS4 - 9078</b>   |           |           |           |          |
| <b>Dimensions (mm)</b>  |          |               |                                    |                                |            |  |           |           |           |          |
| <b>Product line</b>   | <b>A</b> | <b>B</b>      | <b>B1</b>                          | <b>B2</b>                      | <b>C</b>   | <b>C1</b>  | <b>D1</b> | <b>G1</b> | <b>G2</b> | <b>H</b> |
| B200-A  | 64       | 50            | 69                                 | 88                             | 75         | 39   | 22,5      | 24,2      | 3,2       | 72       |

# Front Mounting Switches

**sälzer**



**Product line  
B200-A**

**Front mounting switch  
with front ring**

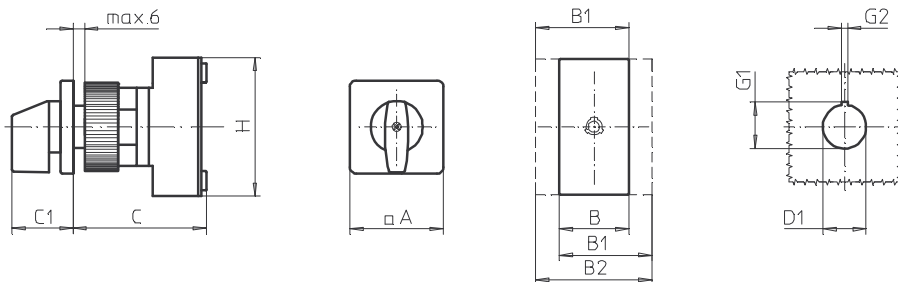
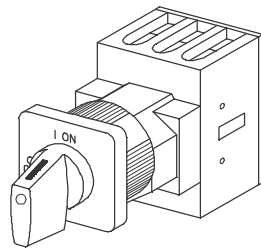
**Single hole mounting  
ø 22,5 mm**

**218M1 (IP66)**

| Complete switch   | Poles    | Product lines | Rated data (IEC 60947)             |                                |            | Order code number  |           |           |           |          |
|---|----------|---------------|------------------------------------|--------------------------------|------------|--|-----------|-----------|-----------|----------|
|   |          |               | Operational current I <sub>e</sub> | Operational power at 380–440 V |            |  |           |           |           |          |
|   |          |               | AC-21A<br>A                        | AC-23A<br>kW                   | AC-3<br>kW |  |           |           |           |          |
| ON-OFF Switches<br>Switching angle 90°  | 3 ... 4  | B200-A        | 50<br>63                           | 18,5<br>22                     | 15<br>18,5 | <b>B250 - 41 ... - 218M1</b><br><b>B263 - 41 ... - 218M1</b> |           |           |           |          |
| <b>SMD modules for basic switch A01</b>   |          |               |                                    |                                |            |  |           |           |           |          |
| Mounting form module for 218M1  |          |               | B200-A                             |                                |            | <b>BFB2 - 219</b>  |           |           |           |          |
| Frontring black ø 30,5 mm M-handle black, mounting form 218M1<br>(front ring without inscription) |          |               |                                    |                                |            | <b>2HM1</b>  |           |           |           |          |
| <b>Dimensions (mm)</b>  |          |               |                                    |                                |            |  |           |           |           |          |
| <b>Product line</b>   | <b>B</b> | <b>B1</b>     | <b>B2</b>                          | <b>C</b>                       | <b>C1</b>  | <b>D</b>   | <b>D1</b> | <b>G1</b> | <b>G2</b> | <b>H</b> |
| B200-A  | 50       | 69            | 88                                 | 75                             | 31,5       | 31   | 22,5      | 24,2      | 3,2       | 72       |

# Front Mounting Switches

**sälzer**



**Product line  
B200-A**

**Front mounting switch**

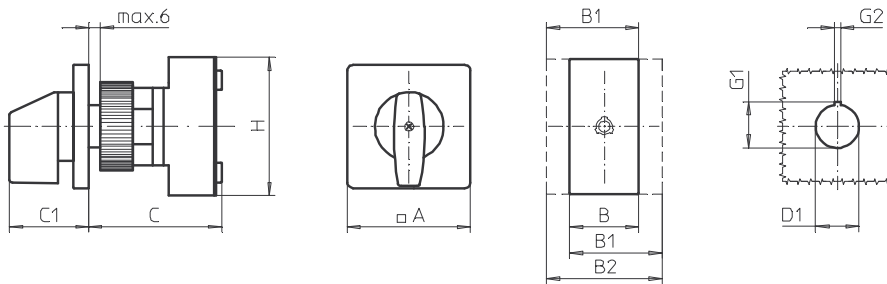
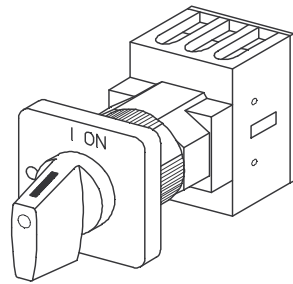
**Single hole mounting**  
ø 30,5 mm

**209M1 (IP66)**

| Complete switch   | Poles    | Product lines | Rated data (IEC 60947)             |                                |            | Order code number  |           |           |           |          |
|---|----------|---------------|------------------------------------|--------------------------------|------------|--|-----------|-----------|-----------|----------|
|   |          |               | Operational current I <sub>e</sub> | Operational power at 380–440 V |            |  |           |           |           |          |
|   |          |               | AC-21A<br>A                        | AC-23A<br>kW                   | AC-3<br>kW |  |           |           |           |          |
| ON-OFF Switches<br>Switching angle 90°  | 3 ... 4  | B200-A        | 50<br>63                           | 18,5<br>22                     | 15<br>18,5 | <b>B250 - 41 ... - 209M1</b><br><b>B263 - 41 ... - 209M1</b> |           |           |           |          |
| <b>SMD modules for basic switch A01</b>   |          |               |                                    |                                |            |  |           |           |           |          |
| Mounting form module for 209M1  |          |               | B200-A                             |                                |            | <b>BFB2 - 219</b>  |           |           |           |          |
| M-operator module 48 x 48 mm, mounting form 209M1<br>Escutcheon black, handle black |          |               |                                    |                                |            | <b>2DM1 - 30</b>   |           |           |           |          |
| Legend plate silver, operator module 209M1  |          |               |                                    |                                |            | <b>FAS2 - 9...</b> (FA number)                               |           |           |           |          |
| <b>Dimensions (mm)</b>  |          |               |                                    |                                |            |  |           |           |           |          |
| <b>Product line</b>   | <b>A</b> | <b>B</b>      | <b>B1</b>                          | <b>B2</b>                      | <b>C</b>   | <b>C1</b>  | <b>D1</b> | <b>G1</b> | <b>G2</b> | <b>H</b> |
| B200-A  | 48       | 50            | 69                                 | 88                             | 75         | 32   | 30,5      | 33        | 4,8       | 72       |

# Front Mounting Switches

**sälzer**



**Product lines  
B200-A**

**Front mounting switch**  
Operator module of next size

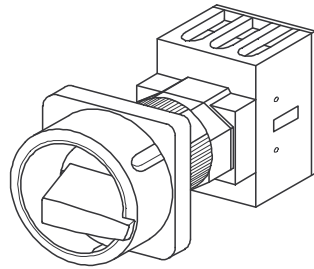
**Single hole mounting**  
ø 30,5 mm

**204M1 (IP66)**

| Complete switch   | Poles    | Product lines | Rated data (IEC 60947)             |                                |            | Order code number  |           |           |           |          |
|---|----------|---------------|------------------------------------|--------------------------------|------------|--|-----------|-----------|-----------|----------|
|   |          |               | Operational current I <sub>e</sub> | Operational power at 380–440 V |            |  |           |           |           |          |
|   |          |               | AC-21A<br>A                        | AC-23A<br>kW                   | AC-3<br>kW |  |           |           |           |          |
| ON-OFF Switches<br>Switching angle 90°  | 3 ... 4  | B200-A        | 50<br>63                           | 18,5<br>22                     | 15<br>18,5 | <b>B250 - 41 ... - 204M1</b><br><b>B263 - 41 ... - 204M1</b> |           |           |           |          |
| <b>SMD modules for basic switch A01</b>   |          |               |                                    |                                |            |  |           |           |           |          |
| Mounting form module for 204M1  |          |               | B200-A                             |                                |            | <b>BFB2 - 219</b>  |           |           |           |          |
| M-operator module 64 x 64 mm, mounting form 204M1<br>Escutcheon black, handle black |          |               |                                    |                                |            | <b>2KM1 - 30</b>   |           |           |           |          |
| Legend plate silver, operator module 204M1  |          |               |                                    |                                |            | <b>FAS4 - 9...</b> (FA number)                               |           |           |           |          |
| <b>Dimensions (mm)</b>  |          |               |                                    |                                |            |  |           |           |           |          |
| <b>Product lines</b>  | <b>A</b> | <b>B</b>      | <b>B1</b>                          | <b>B2</b>                      | <b>C</b>   | <b>C1</b>  | <b>D1</b> | <b>G1</b> | <b>G2</b> | <b>H</b> |
| B200-A  | 64       | 50            | 69                                 | 88                             | 75         | 39   | 30,5      | 33        | 4,8       | 72       |

# Front Mounting Switches

**sälzer**

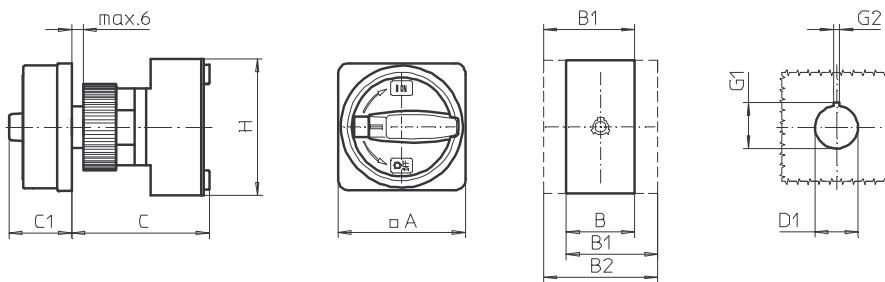


**Product line  
B200-A**

**Front mounting switch**

**Single hole mounting  
ø 30,5 mm**

**216M1 (IP66)  
216M4 (IP66)**



| Complete switch   | Poles   | Product lines | Rated data (IEC 60947)             |                                |            | Order code number            |
|---|---------|---------------|------------------------------------|--------------------------------|------------|------------------------------|
|   |         |               | Operational current I <sub>e</sub> | Operational power at 380–440 V |            |                              |
|   |         |               | AC-21A<br>A                        | AC-23A<br>kW                   | AC-3<br>kW |                              |
| Main Switches<br>OFF position padlockable 09h               | 3 ... 4 | B200-A        | 50                                 | 18,5                           | 15         | <b>B250 - 41 ... - 216M1</b> |
|   |         |               | 63                                 | 22                             | 18,5       | <b>B263 - 41 ... - 216M1</b> |
| Main/Emergency-Off Switches<br>OFF position padlockable 09h | 3 ... 4 | B200-A        | 50                                 | 18,5                           | 15         | <b>B250 - 41 ... - 216M4</b> |
|   |         |               | 63                                 | 22                             | 18,5       | <b>B263 - 41 ... - 216M4</b> |

### SMD modules for basic switch A01

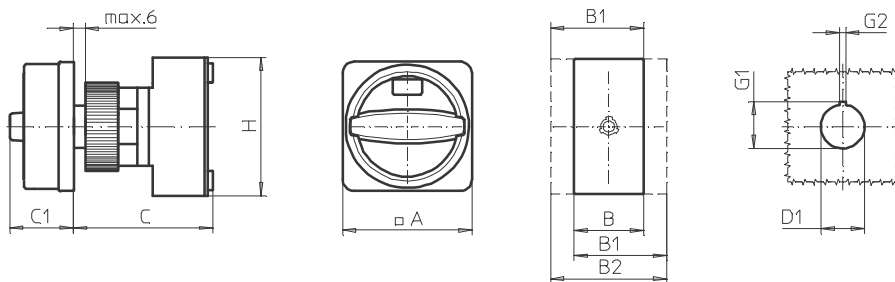
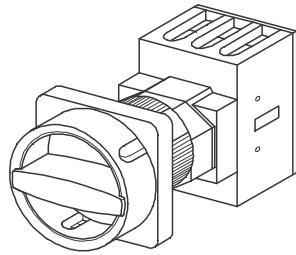
|  |        |                   |
|--|--------|-------------------|
| Mounting form module for 216M.   | B200-A | <b>BFB2 - 219</b> |
| M-padlock device 67 x 67 mm, mounting form 216M1<br>Escutcheon black, padlockable handle black |        | <b>2FM1 - 30</b>  |
| M-padlock device 67 x 67 mm, mounting form 216M4<br>Escutcheon yellow, padlockable handle red  |        | <b>2FM4 - 30</b>  |

### Dimensions (mm)

| Product line | A  | B  | B1 | B2 | C  | C1 | D1   | G1 | G2  | H  |
|--------------|----|----|----|----|----|----|------|----|-----|----|
| B200-A       | 67 | 50 | 69 | 88 | 75 | 38 | 30,5 | 33 | 4,8 | 72 |

# Front Mounting Switches

**sälzer**



**Product line  
B200-A**

**Front mounting switch**

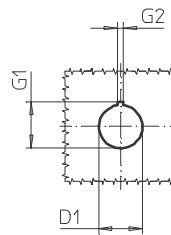
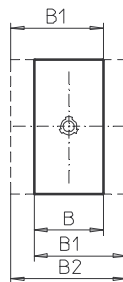
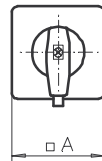
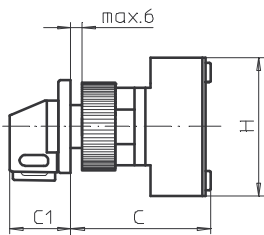
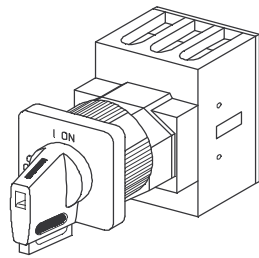
**Single hole mounting  
ø 30,5 mm**

**216N1 (IP66)  
216N4 (IP66)**

| Complete switch  | Poles    | Product lines | Rated data (IEC 60947)             |                                |            | Order code number  |           |           |           |          |
|--|----------|---------------|------------------------------------|--------------------------------|------------|--|-----------|-----------|-----------|----------|
|  |          |               | Operational current I <sub>e</sub> | Operational power at 380–440 V |            |  |           |           |           |          |
|  |          |               | AC-21A<br>A                        | AC-23A<br>kW                   | AC-3<br>kW |  |           |           |           |          |
| Main Switches<br>OFF position padlockable 09h  | 3 ... 4  | B200-A        | 50<br>63                           | 18,5<br>22                     | 15<br>18,5 | <b>B250 - 41 ... - 216N1</b><br><b>B263 - 41 ... - 216N1</b> |           |           |           |          |
| Main/Emergency-Off Switches<br>OFF position padlockable 09h                                    | 3 ... 4  | B200-A        | 50<br>63                           | 18,5<br>22                     | 15<br>18,5 | <b>B250 - 41 ... - 216N4</b><br><b>B263 - 41 ... - 216N4</b> |           |           |           |          |
| <b>SMD modules for basic switch A01</b>  |          |               |                                    |                                |            |  |           |           |           |          |
| Mounting form module for 216N.   |          |               | B200-A                             |                                |            | <b>BFB2 - 219</b>  |           |           |           |          |
| N-padlock device 67 x 67 mm, mounting form 216N1<br>Escutcheon black, padlockable handle black |          |               |                                    |                                |            | <b>2FN1 - 30</b>   |           |           |           |          |
| N-padlock device 67 x 67 mm, mounting form 216N4<br>Escutcheon yellow, padlockable handle red  |          |               |                                    |                                |            | <b>2FN4 - 30</b>   |           |           |           |          |
| <b>Dimensions (mm)</b>   |          |               |                                    |                                |            |  |           |           |           |          |
| <b>Product line</b>  | <b>A</b> | <b>B</b>      | <b>B1</b>                          | <b>B2</b>                      | <b>C</b>   | <b>C1</b>  | <b>D1</b> | <b>G1</b> | <b>G2</b> | <b>H</b> |
| B200-A   | 67       | 50            | 69                                 | 88                             | 75         | 33   | 30,5      | 33        | 4,8       | 72       |

# Front Mounting Switches

**sälzer**



**Product line  
B200-A**

**Front mounting switch**

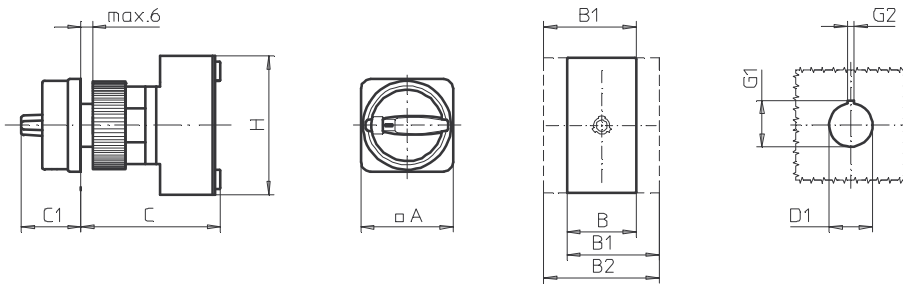
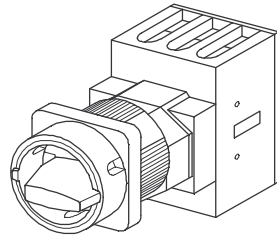
**Single hole mounting  
ø 30,5 mm**

**215V1 (IP66)  
215V4 (IP66)**

| Complete switch   | Poles    | Product lines | Rated data (IEC 60947)             |                                |            | Order code number  |           |           |           |          |
|---|----------|---------------|------------------------------------|--------------------------------|------------|--|-----------|-----------|-----------|----------|
|   |          |               | Operational current I <sub>e</sub> | Operational power at 380–440 V |            |  |           |           |           |          |
|   |          |               | AC-21A<br>A                        | AC-23A<br>kW                   | AC-3<br>kW |  |           |           |           |          |
| Main Switches<br>OFF position padlockable 09h                                       | 3 ... 4  | B200-A        | 50<br>63                           | 18,5<br>22                     | 15<br>18,5 | <b>B250 - 41 ... - 215V1</b><br><b>B263 - 41 ... - 215V1</b> |           |           |           |          |
| Main/Emergency-Off Switches<br>OFF position padlockable 09h                         | 3 ... 4  | B200-A        | 50<br>63                           | 18,5<br>22                     | 15<br>18,5 | <b>B250 - 41 ... - 215V4</b><br><b>B263 - 41 ... - 215V4</b> |           |           |           |          |
| <b>SMD modules for basic switch A01</b>   |          |               |                                    |                                |            |  |           |           |           |          |
| Mounting form module for 215V.  |          |               | B200-A                             |                                |            | <b>BFB2 - 219</b>  |           |           |           |          |
| V-operator module 48 x 48 mm, mounting form 215V1<br>Escutcheon black, handle black |          |               |                                    |                                |            | <b>2DV1 - 0930</b>   |           |           |           |          |
| Legend plate silver, operator module 215V1  |          |               |                                    |                                |            | <b>FAS2 - 9078</b>   |           |           |           |          |
| V-operator module 48 x 48 mm, mounting form 215V4<br>Escutcheon black, handle red   |          |               |                                    |                                |            | <b>2DV4 - 0930</b>   |           |           |           |          |
| Legend plate yellow, operator module 215V4  |          |               |                                    |                                |            | <b>FBS2 - 9078</b>   |           |           |           |          |
| <b>Dimensions (mm)</b>  |          |               |                                    |                                |            |  |           |           |           |          |
| <b>Product line</b>   | <b>A</b> | <b>B</b>      | <b>B1</b>                          | <b>B2</b>                      | <b>C</b>   | <b>C1</b>  | <b>D1</b> | <b>G1</b> | <b>G2</b> | <b>H</b> |
| B200-A  | 48       | 50            | 69                                 | 88                             | 75         | 32   | 30,5      | 33        | 4,8       | 72       |

# Front Mounting Switches

**sälzer**



**Product line  
B200-A**

**Front mounting switch**

**Single hole mounting  
ø 30,5 mm**

**215M1 (IP66)  
215M4 (IP66)**

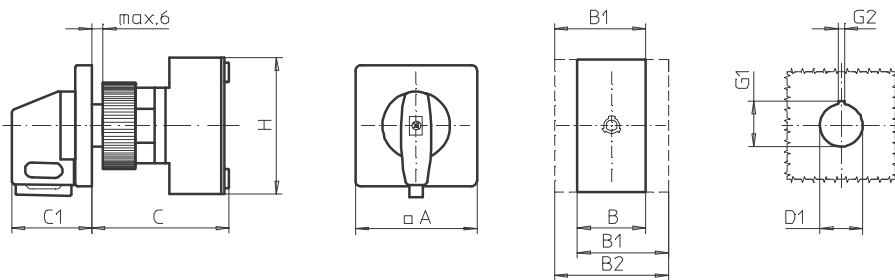
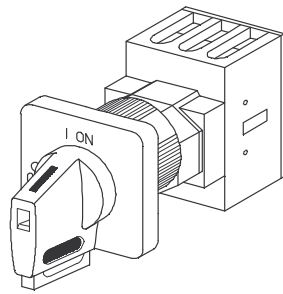
| Complete switch   | Poles   | Product lines | Rated data (IEC 60947)             |                                |            | Order code number            |
|---|---------|---------------|------------------------------------|--------------------------------|------------|------------------------------|
|   |         |               | Operational current I <sub>e</sub> | Operational power at 380–440 V |            |                              |
|   |         |               | AC-21A<br>A                        | AC-23A<br>kW                   | AC-3<br>kW |                              |
| Main Switches<br>OFF position padlockable 09h               | 3 ... 4 | B200-A        | 50                                 | 18,5                           | 15         | <b>B250 - 41 ... - 215M1</b> |
|   |         |               | 63                                 | 22                             | 18,5       | <b>B263 - 41 ... - 215M1</b> |
| Main/Emergency-Off Switches<br>OFF position padlockable 09h | 3 ... 4 | B200-A        | 50                                 | 18,5                           | 15         | <b>B250 - 41 ... - 215M4</b> |
|   |         |               | 63                                 | 22                             | 18,5       | <b>B263 - 41 ... - 215M4</b> |

| SMD modules for basic switch A01   |        |                   |
|--|--------|-------------------|
| Mounting form module for 215M.   | B200-A | <b>BFB2 - 219</b> |
| M-padlock device 48 x 48 mm, mounting form 215M1<br>Escutcheon black, padlockable handle black |        | <b>2EM1 - 30</b>  |
| M-padlock device 48 x 48 mm, mounting form 215M4<br>Escutcheon yellow, padlockable handle red  |        | <b>2EM4 - 30</b>  |

| Dimensions (mm) |    |    |    |    |    |    |      |    |     |    |
|-----------------|----|----|----|----|----|----|------|----|-----|----|
| Product line    | A  | B  | B1 | B2 | C  | C1 | D1   | G1 | G2  | H  |
| B200-A          | 48 | 50 | 69 | 88 | 75 | 31 | 30,5 | 33 | 4,8 | 72 |



# Front Mounting Switches



**Product line  
B200-A**

**Front mounting switch**  
Operator module of next size

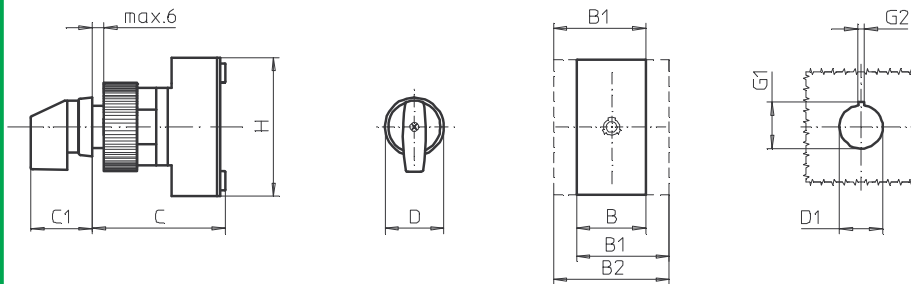
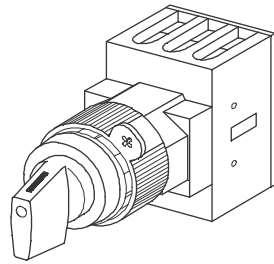
**Single hole mounting**  
ø 30,5 mm

**216V1 (IP66)**  
**216V4 (IP66)**

| Complete switch   | Poles    | Product lines | Rated data (IEC 60947)             |                                |            | Order code number  |           |           |           |          |
|---|----------|---------------|------------------------------------|--------------------------------|------------|--|-----------|-----------|-----------|----------|
|   |          |               | Operational current I <sub>e</sub> | Operational power at 380–440 V |            |  |           |           |           |          |
|   |          |               | AC-21A<br>A                        | AC-23A<br>kW                   | AC-3<br>kW |  |           |           |           |          |
| Main Switches<br>OFF position padlockable 09h                                       | 3 ... 4  | B200-A        | 50<br>63                           | 18,5<br>22                     | 15<br>18,5 | <b>B250 - 41 ... - 216V1</b><br><b>B263 - 41 ... - 216V1</b> |           |           |           |          |
| Main/Emergency-Off Switches<br>OFF position padlockable 09h                         | 3 ... 4  | B200-A        | 50<br>63                           | 18,5<br>22                     | 15<br>18,5 | <b>B250 - 41 ... - 216V4</b><br><b>B263 - 41 ... - 216V4</b> |           |           |           |          |
| <b>SMD modules for basic switch A01</b>   |          |               |                                    |                                |            |  |           |           |           |          |
| Mounting form module for 216V.  |          |               | B200-A                             |                                |            | <b>BFB2 - 219</b>  |           |           |           |          |
| V-operator module 64 x 64 mm, mounting form 216V1<br>Escutcheon black, handle black |          |               |                                    |                                |            | <b>2KV1 - 0930</b>   |           |           |           |          |
| Legend plate silver, operator module 216V1  |          |               |                                    |                                |            | <b>FAS4 - 9078</b>   |           |           |           |          |
| V-operator module 64 x 64 mm, mounting form 216V4<br>Escutcheon black, handle red   |          |               |                                    |                                |            | <b>2KV4 - 0930</b>   |           |           |           |          |
| Legend plate yellow, operator module 216V4  |          |               |                                    |                                |            | <b>FBS4 - 9078</b>   |           |           |           |          |
| <b>Dimensions (mm)</b>  |          |               |                                    |                                |            |  |           |           |           |          |
| <b>Product line</b>   | <b>A</b> | <b>B</b>      | <b>B1</b>                          | <b>B2</b>                      | <b>C</b>   | <b>C1</b>  | <b>D1</b> | <b>G1</b> | <b>G2</b> | <b>H</b> |
| B200-A  | 64       | 50            | 69                                 | 88                             | 75         | 39   | 30,5      | 33        | 4,8       | 72       |

# Front Mounting Switches

**sälzer**



**Product line  
B200-A**

**Front mounting switch  
with front ring**

**Single hole mounting  
ø 30,5 mm**

**208M1 (IP66)**

| Complete switch   | Poles    | Product lines | Rated data (IEC 60947)             |                                |            | Order code number  |           |           |           |          |
|---|----------|---------------|------------------------------------|--------------------------------|------------|--|-----------|-----------|-----------|----------|
|   |          |               | Operational current I <sub>e</sub> | Operational power at 380–440 V |            |  |           |           |           |          |
|   |          |               | AC-21A<br>A                        | AC-23A<br>kW                   | AC-3<br>kW |  |           |           |           |          |
| ON-OFF Switches<br>Switching angle 90°  | 3 ... 4  | B200-A        | 50<br>63                           | 18,5<br>22                     | 15<br>18,5 | <b>B250 - 41 ... - 208M1</b><br><b>B263 - 41 ... - 208M1</b> |           |           |           |          |
| <b>SMD modules for basic switch A01</b>   |          |               |                                    |                                |            |  |           |           |           |          |
| Mounting form module for 208M1  |          |               |                                    | B200-A                         |            | <b>BFB2 - 219</b>  |           |           |           |          |
| Frontring black ø 39,5 mm M-handle black, mounting form 208M1<br>(front ring without inscription) |          |               |                                    |                                |            | <b>2HM1 - 30</b>   |           |           |           |          |
| <b>Dimensions (mm)</b>  |          |               |                                    |                                |            |  |           |           |           |          |
| <b>Product line</b>   | <b>B</b> | <b>B1</b>     | <b>B2</b>                          | <b>C</b>                       | <b>C1</b>  | <b>D</b>   | <b>D1</b> | <b>G1</b> | <b>G2</b> | <b>H</b> |
| B200-A  | 50       | 69            | 88                                 | 75                             | 32         | 39,5   | 30,5      | 33        | 4,8       | 72       |



## Section B

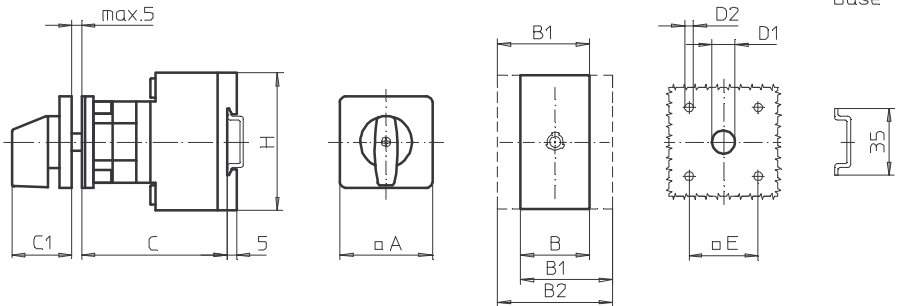
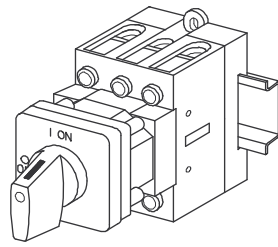
|  | Page        |              |
|--|-------------|--------------|
|  | from        | to           |
| <b>Base / front mounting</b>   | <b>B1-1</b> | <b>B1-7</b>  |
| <b>Door clutch with modular shaft extension</b><br>Four hole front mounting                            | <b>B2-1</b> | <b>B2-11</b> |
| <b>Door interlock with modular shaft extension</b><br>Four hole front mounting                         | <b>B3-1</b> | <b>B3-11</b> |
| <b>Door interlock with modular shaft extension</b><br>Four hole front mounting<br>N/PE connection link | <b>B4-1</b> | <b>B4-11</b> |
| <b>Door clutch with metal shaft extension</b><br>Single hole $\varnothing$ 22,5 mm front mounting      | <b>B5-1</b> | <b>B5-9</b>  |
| <b>Door interlock with metal shaft extension</b><br>Single hole $\varnothing$ 22,5 mm front mounting   | <b>B6-1</b> | <b>B6-9</b>  |
| <b>Door clutch with metal shaft extension</b><br>Four hole front mounting                              | <b>B7-1</b> | <b>B7-11</b> |
| <b>Door interlock with metal shaft extension</b><br>Four hole front mounting                           | <b>B8-1</b> | <b>B8-11</b> |

---

**Originator: Sälzer Electric GmbH · Product Data Management (PDM) · 09306 Rochlitz (Germany)**  
 Copyright reserved by Sälzer Electric GmbH. This document replaces all previous issues.  
 Valid until a new version is published. Changes and revisions reserved.

# Base Mounting Switches

**sälzer**



**Product line  
B200-A**

**Base mounting switch**

**Base/front mounting**

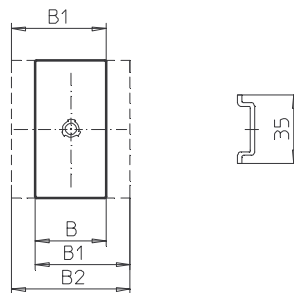
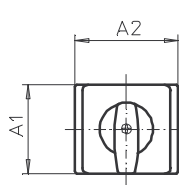
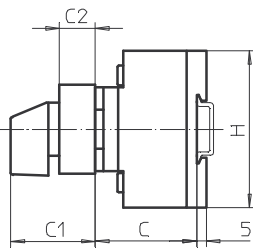
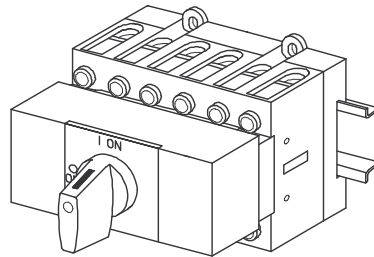
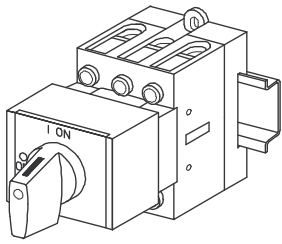
**Four hole mounting  
36 x 36 mm front**

**021M1**

| Complete switch   | Poles    | Product lines | Rated data (IEC 60947)             |                                |            | Order code number  |           |           |          |          |
|---|----------|---------------|------------------------------------|--------------------------------|------------|--|-----------|-----------|----------|----------|
|   |          |               | Operational current I <sub>e</sub> | Operational power at 380–440 V |            |  |           |           |          |          |
|   |          |               | AC-21A<br>A                        | AC-23A<br>kW                   | AC-3<br>kW |  |           |           |          |          |
| ON-OFF Switches<br>Switching angle 90°  | 3 ... 4  |               | 50<br>63                           | 18,5<br>22                     | 15<br>18,5 | <b>B250 - 41 ... - 021M1</b><br><b>B263 - 41 ... - 021M1</b> |           |           |          |          |
| <b>SMD modules for basic switch A02</b>   |          |               |                                    |                                |            |  |           |           |          |          |
| Mounting form module for 021M1  |          |               | B200-A                             |                                |            | <b>BFB2 - 003</b>  |           |           |          |          |
| M-operator module 48 x 48 mm, mounting form 021M1<br>Escutcheon black, handle black |          |               |                                    |                                |            | <b>2AM1</b>  |           |           |          |          |
| Legend plate silver, operator module 021M1  |          |               |                                    |                                |            | <b>FAS2 - 9...</b> (FA number)                               |           |           |          |          |
| <b>Dimensions (mm)</b>  |          |               |                                    |                                |            |  |           |           |          |          |
| <b>Product lines</b>  | <b>A</b> | <b>B</b>      | <b>B1</b>                          | <b>B2</b>                      | <b>C</b>   | <b>C1</b>  | <b>D1</b> | <b>D2</b> | <b>E</b> | <b>H</b> |
| B200-A  | 48       | 50            | 69                                 | 88                             | 56         | 32   | 12        | 4,5       | 36       | 72       |

# Base Mounting Switches

**sälzer**



**Product lines  
B200-A/ -D/ -E**

**Base mounting switch**

**Base/front mounting**

**DIN rail**

With cover plate  
45 mm aperture

**026M1**

| Complete switch                            | Poles   | Product lines | Rated data (IEC 60947)             |                                |            | Order code number            |
|--|---------|---------------|------------------------------------|--------------------------------|------------|------------------------------|
|  |         |               | Operational current I <sub>e</sub> | Operational power at 380–440 V |            |                              |
|  |         |               | AC-21A<br>A                        | AC-23A<br>kW                   | AC-3<br>kW |                              |
| ON-OFF Switches<br>Switching angle 90°     | 3 ... 8 | B200-A/ -D    | 50                                 | 18,5                           | 15         | <b>B250 - 41 ... - 026M1</b> |
|  |         |               | 63                                 | 22                             | 18,5       | <b>B263 - 41 ... - 026M1</b> |
| Changeover with OFF<br>Switching angle 90° | 3 ... 4 | B200-E        | 50                                 | 18,5                           | 15         | <b>B250 - 71 ... - 026M1</b> |
|  |         |               | 63                                 | 22                             | 18,5       | <b>B263 - 71 ... - 026M1</b> |

### SMD modules for basic switch A02

Mounting form/operator module grey with  
M-handle black, mounting form 026M1

B200-A  
B200-D/ -E

**BFB2 - 026M1**  
**BFF2 - 026M1**

Legend plate silver, mounting form/operator module 026M1

B200-A/ -D/ -E

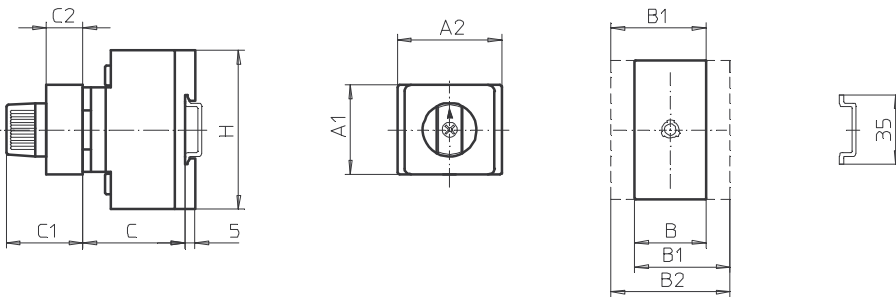
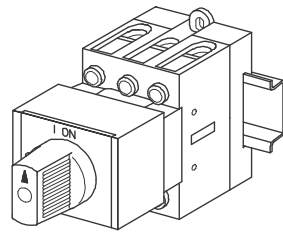
**FAV2 - 9...** (FA number)

### Dimensions (mm)

| Product lines | A1 | A2   | B   | B1  | B2  | C  | C1   | C2   | H  |
|---------------|----|------|-----|-----|-----|----|------|------|----|
| B200-A        | 45 | 52,5 | 50  | 69  | 88  | 38 | 45   | 18,5 | 72 |
| B200-D        | 45 | 105  | 100 | 119 | 138 | 40 | 51,5 | 25,5 | 72 |
| B200-E        | 45 | 105  | 100 | 119 | 138 | 40 | 51,5 | 25,5 | 72 |

# Base Mounting Switches

**sälzer**



**Product line  
B200-A**

**Base mounting switch**

**Base/front mounting**

**DIN rail**

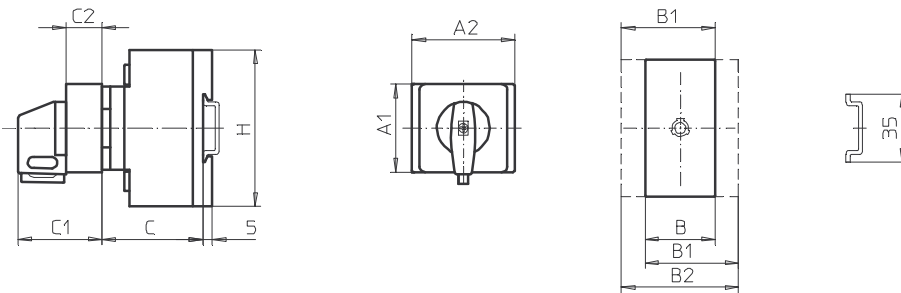
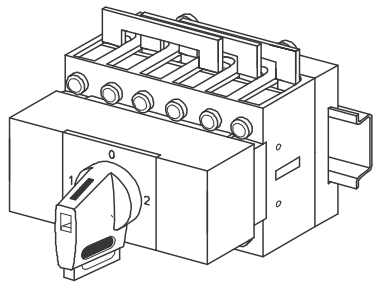
With cover plate  
45 mm aperture

**026N2**

| Complete switch   | Poles     | Product lines | Rated data (IEC 60947)    |                                |            | Order code number  |           |           |          |
|---|-----------|---------------|---------------------------|--------------------------------|------------|--|-----------|-----------|----------|
|   |           |               | Operational current $I_e$ | Operational power at 380–440 V |            |  |           |           |          |
|   |           |               | AC-21A<br>A               | AC-23A<br>kW                   | AC-3<br>kW |  |           |           |          |
| ON-OFF Switches<br>Switching angle 90°  | 3 ... 4   | B200-A        | 50<br>63                  | 18,5<br>22                     | 15<br>18,5 | <b>B250 - 41 ... - 026N2</b><br><b>B263 - 41 ... - 026N2</b> |           |           |          |
| <b>SMD modules for basic switch A02</b>                                       |           |               |                           |                                |            |  |           |           |          |
| Mounting form/operator module grey with<br>N-handle grey, mounting form 026N2 |           |               | B200-A                    |                                |            | <b>BFB2 - 026N2</b>  |           |           |          |
| Legend plate silver, mounting form/operator module 026N2                      |           |               |                           |                                |            | <b>FAV2 - 9...</b> (FA number)                               |           |           |          |
| <b>Dimensions (mm)</b>  |           |               |                           |                                |            |  |           |           |          |
| <b>Product lines</b>  | <b>A1</b> | <b>A2</b>     | <b>B</b>                  | <b>B1</b>                      | <b>B2</b>  | <b>C</b>   | <b>C1</b> | <b>C2</b> | <b>H</b> |
| B200-A  | 45        | 52,5          | 50                        | 69                             | 88         | 38   | 40        | 18,5      | 72       |

# Base Mounting Switches

**sälzer**



**Product line  
B200-E**

**Base mounting switch**

**Base/front mounting**

**DIN rail**

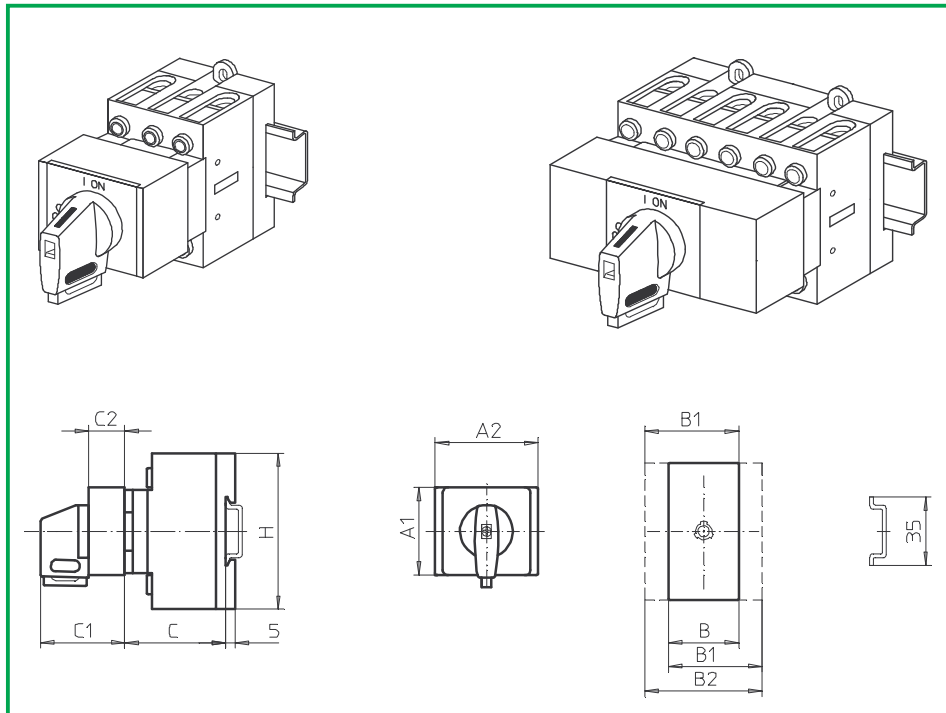
With cover plate  
45 mm aperture

**028V1  
027V1**

| Complete switch  | Poles     | Product lines | Rated data (IEC 60947)             |                                |            | Order code number               |           |           |          |
|--|-----------|---------------|------------------------------------|--------------------------------|------------|---------------------------------|-----------|-----------|----------|
|  |           |               | Operational current I <sub>e</sub> | Operational power at 380–440 V |            |                                 |           |           |          |
|  |           |               | AC-21A<br>A                        | AC-23A<br>kW                   | AC-3<br>kW |                                 |           |           |          |
| Changeover with OFF<br>Switching angle 90°<br>OFF position padlockable 12h             | 3 ... 4   | B200-E        | 50                                 | 18,5                           | 15         | <b>B250 - 71 ... - 028V1</b>    |           |           |          |
|  |           |               | 63                                 | 22                             | 18,5       | <b>B263 - 71 ... - 028V1</b>    |           |           |          |
| Changeover with OFF<br>Switching angle 90°<br>3 positions padlockable<br>(09h/12h/03h) | 3 ... 4   | B200-E        | 50                                 | 18,5                           | 15         | <b>B250 - 71 ... - 027V1</b>    |           |           |          |
|  |           |               | 63                                 | 22                             | 18,5       | <b>B263 - 71 ... - 027V1</b>    |           |           |          |
| <b>SMD modules for basic switch A02</b>  |           |               |                                    |                                |            |                                 |           |           |          |
| Mounting form/operator module grey with V-handle black, mounting form 028V1            |           |               | B200-E                             |                                |            | <b>BFB2 - 028V1</b>             |           |           |          |
| Mounting form/operator module grey with V-handle black, mounting form 027V1            |           |               |                                    |                                |            | <b>BFB2 - 027V1</b>             |           |           |          |
| Legend plate silver, mounting form/operator module 028V1/ 027V1                        |           |               |                                    |                                |            | <b>FAV2 - 9 ... (FA number)</b> |           |           |          |
| <b>Dimensions (mm)</b>   |           |               |                                    |                                |            |                                 |           |           |          |
| <b>Product line</b>  | <b>A1</b> | <b>A2</b>     | <b>B</b>                           | <b>B1</b>                      | <b>B2</b>  | <b>C</b>                        | <b>C1</b> | <b>C2</b> | <b>H</b> |
| HB200-E  | 45        | 105           | 100                                | 119                            | 138        | 40                              | 51,5      | 25,5      | 72       |

# Base Mounting Switches

**sälzer**



**Product lines  
B200-A/ -D**

**Base mounting switch**

**Base/front mounting**

**DIN rail**  
With cover plate  
45 mm aperture

**026V1  
026V4**

| Complete switch   | Poles   | Product lines | Rated data (IEC 60947)    |                                |            | Order code number  |
|---|---------|---------------|---------------------------|--------------------------------|------------|--|
|   |         |               | Operational current $I_e$ | Operational power at 380–440 V |            |  |
|   |         |               | AC-21A<br>A               | AC-23A<br>kW                   | AC-3<br>kW |  |
| Main Switches<br>OFF position padlockable 09h               | 3 ... 8 | B200-A/ -D    | 50<br>63                  | 18,5<br>22                     | 15<br>18,5 | <b>B250 - 41 ... - 026V1</b><br><b>B263 - 41 ... - 026V1</b> |
| Main/Emergency-Off Switches<br>OFF position padlockable 09h | 3 ... 8 | B200-A/ -D    | 50<br>63                  | 18,5<br>22                     | 15<br>18,5 | <b>B250 - 41 ... - 026V4</b><br><b>B263 - 41 ... - 026V4</b> |

### SMD modules for basic switch A02

Mounting form/operator module grey with V-handle black, mounting form 026V1

B200-A  
B200-D  
B200-A/ -D

**BFB2 - 026V1**  
**BFF2 - 026V1**  
**FAV2 - 9...** (FA number)

Legend plate silver, mounting form/operator module 026V1

Mounting form/operator module grey with V-handle red, mounting form 026V4

B200-A  
B200-D  
B200-A/ -D

**BFB2 - 026V4**  
**BFF2 - 026V4**  
**FBV2 - 9...** (FA number)

Legend plate yellow, mounting form/operator module 026V4

### Dimensions (mm)

| Product lines | A1 | A2   | B   | B1  | B2  | C  | C1   | C2   | H  |
|---------------|----|------|-----|-----|-----|----|------|------|----|
| B200-A        | 45 | 52,5 | 50  | 69  | 88  | 38 | 45   | 18,5 | 72 |
| B200-D        | 45 | 105  | 100 | 119 | 138 | 40 | 51,5 | 25,5 | 72 |



# Base Mounting Switches

# sälzer

**Product line  
B200-A**

**Base mounting switch**

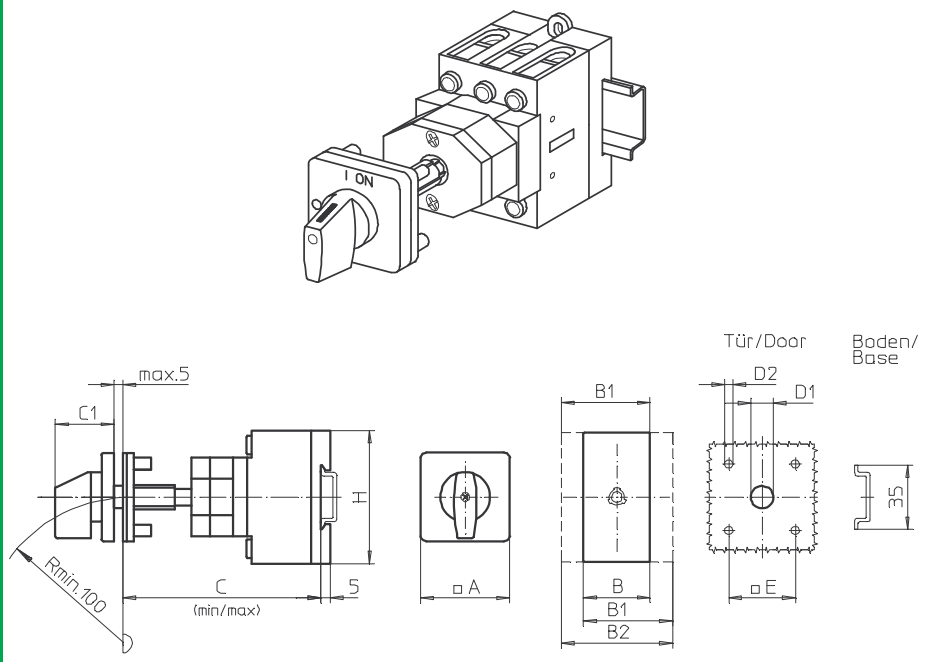
**Door clutch**

Modular shaft extension

**Four hole mounting**

36 x 36 mm front

**241M1 (IP66)**



| Complete switch                        | Poles   | Product lines | Rated data (IEC 60947)             |                                |            | Order code number  |
|--|---------|---------------|------------------------------------|--------------------------------|------------|--|
|  |         |               | Operational current I <sub>e</sub> | Operational power at 380–440 V |            |  |
|  |         |               | AC-21A<br>A                        | AC-23A<br>kW                   | AC-3<br>kW |  |
| ON-OFF Switches<br>Switching angle 90° | 3 ... 4 | B200-A        | 50<br>63                           | 18,5<br>22                     | 15<br>18,5 | <b>B250 - 41 ... - 241M1</b><br><b>B263 - 41 ... - 241M1</b> |

### SMD modules for basic switch A02

Mounting form module for 241M1

B200-A

**BFC2 - 241**

M-Operator module 48 x 48 mm, mounting form 241M1  
Escutcheon black, handle black

**2AM1**

Legend plate silver, operator module 241M1

**FAS2 - 9...** (FA number)

### Dimensions (mm)

| Product lines | A  | B  | B1 | B2 | C <sub>min</sub> | C <sub>max</sub> | C1 | D1 | D2  | E  | H  |
|---------------|----|----|----|----|------------------|------------------|----|----|-----|----|----|
| B200-A        | 48 | 50 | 69 | 88 | 92               | 109              | 32 | 12 | 4,5 | 36 | 72 |

Modular shaft extensions, see page B2-11.

# Base Mounting Switches

**sälzer**

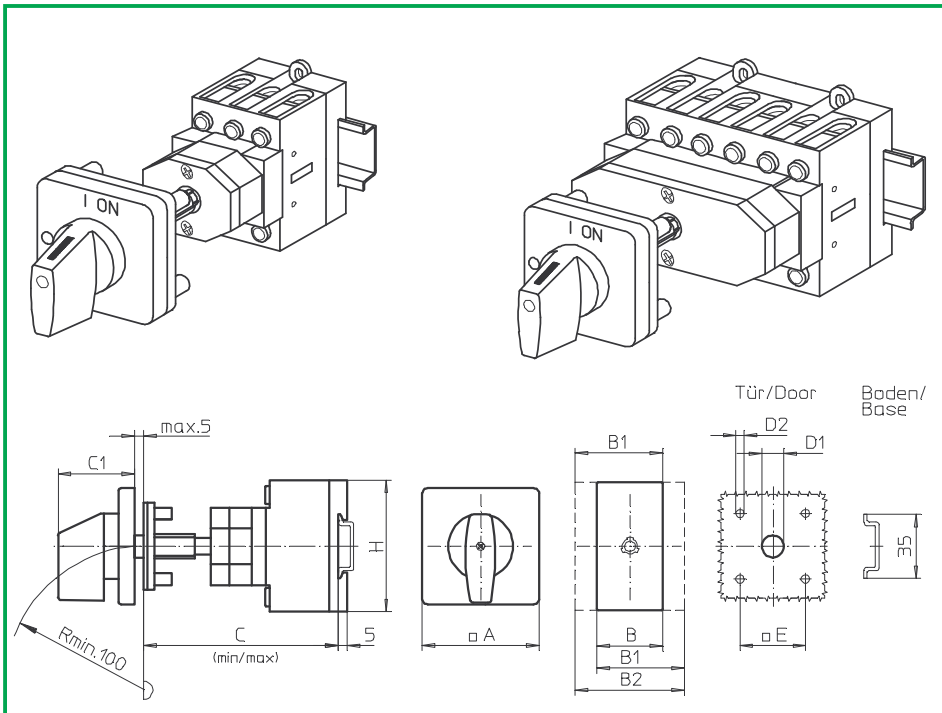
**Product lines  
B200-A/ -D/ -E**

**Base mounting switch**  
Operator module of next size

**Door clutch**  
Modular shaft extension

**Four hole mounting**  
48 x 48 mm front

**247M1 (IP66)**



| Complete switch                            | Poles   | Product lines | Rated data (IEC 60947)             |                                |            | Order code number  |
|--|---------|---------------|------------------------------------|--------------------------------|------------|--|
|  |         |               | Operational current I <sub>e</sub> | Operational power at 380–440 V |            |  |
|  |         |               | AC-21A<br>A                        | AC-23A<br>kW                   | AC-3<br>kW |  |
| ON-OFF Switches<br>Switching angle 90°     | 3 ... 8 | B200-A/-D     | 50<br>63                           | 18,5<br>22                     | 15<br>18,5 | <b>B250 - 41 ... - 247M1</b><br><b>B263 - 41 ... - 247M1</b> |
| Changeover with OFF<br>Switching angle 90° | 3 ... 4 | B200-E        | 50<br>63                           | 18,5<br>22                     | 15<br>18,5 | <b>B250 - 71 ... - 247M1</b><br><b>B263 - 71 ... - 247M1</b> |

| SMD modules for basic switch A02  |                     |  |
|---|---------------------|--|
| Mounting form module for 247M1  | B200-A/-D<br>B200-E | <b>BFB2 - 247</b><br><b>BFD2 - 247</b> |
| M-Operator module 64 x 64 mm, mounting form 247M1<br>Escutcheon black, handle black | B200-A/-D/-E        | <b>4AM1</b>                            |
| Legend plate silver, operator module 247M1  |                     | <b>FAS4 - 9...</b> (FA number)         |

| Dimensions (mm) |    |     |     |     |                  |                  |    |    |    |    |    |
|-----------------|----|-----|-----|-----|------------------|------------------|----|----|----|----|----|
| Product lines   | A  | B   | B1  | B2  | C <sub>min</sub> | C <sub>max</sub> | C1 | D1 | D2 | E  | H  |
| B200-A          | 64 | 50  | 69  | 88  | 92               | 109              | 39 | 15 | 5  | 48 | 72 |
| B200-D          | 64 | 100 | 119 | 138 | 104              | 121              | 39 | 15 | 5  | 48 | 72 |
| B200-E          | 64 | 100 | 119 | 138 | 104              | 121              | 39 | 15 | 5  | 48 | 72 |

Modular shaft extensions, see page B2-11.

# Base Mounting Switches

# sälzer

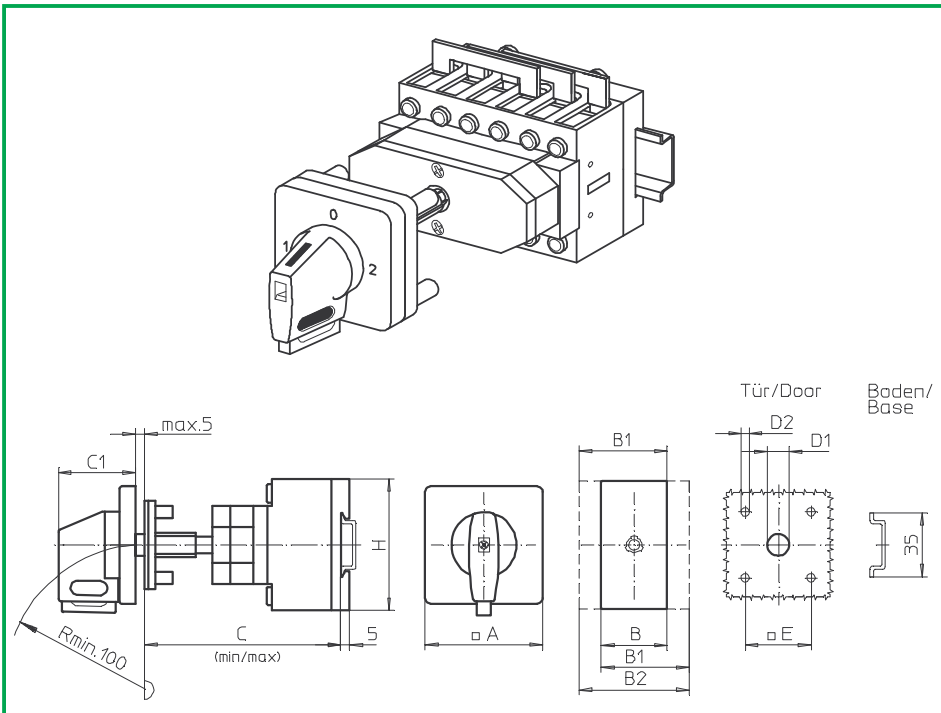
**Product line**  
**B200-E**

**Base mounting switch**  
Operator module of next size

**Door clutch**  
Modular shaft extension

**Four hole mounting**  
48 x 48 mm front

**247V1 (IP66)**  
**246V1 (IP66)**



| Complete switch  | Poles   | Product lines | Rated data (IEC 60947)             |                                |            | Order code number  |
|--|---------|---------------|------------------------------------|--------------------------------|------------|--|
|  |         |               | Operational current I <sub>e</sub> | Operational power at 380–440 V |            |  |
|  |         |               | AC-21A<br>A                        | AC-23A<br>kW                   | AC-3<br>kW |  |
| Changeover with OFF<br>Switching angle 90°<br>OFF position padlockable 12h             | 3 ... 4 | B200-E        | 50<br>63                           | 18,5<br>22                     | 15<br>18,5 | <b>B250 - 71 ... - 247V1</b><br><b>B263 - 71 ... - 247V1</b> |
| Changeover with OFF<br>Switching angle 90°<br>3 positions padlockable<br>(09h/12h/03h) | 3 ... 4 | B200-E        | 50<br>63                           | 18,5<br>22                     | 15<br>18,5 | <b>B250 - 71 ... - 246V1</b><br><b>B263 - 71 ... - 246V1</b> |

### SMD modules for basic switch A02

Mounting form module for 247V1/ 246V1

B200-E

**BFD2 - 247**

V-operator module 64 x 64 mm, mounting form 247V1  
Escutcheon black, handle black

**4AV1 - 12**

V-operator module 64 x 64 mm, mounting form 246V1  
Escutcheon black, handle black

**4AV1 - 99**

Legend plate silver, operator modules 247V1/ 246V1

**FAS4 - 9...** (FA number)

### Dimensions (mm)

| Product lines | A  | B   | B1  | B2  | C <sub>min</sub> | C <sub>max</sub> | C1 | D1 | D2 | E  | H  |
|---------------|----|-----|-----|-----|------------------|------------------|----|----|----|----|----|
| B200-E        | 64 | 100 | 119 | 138 | 104              | 121              | 39 | 15 | 5  | 48 | 72 |

Modular shaft extensions, see page B2-11.

# Base Mounting Switches

# sälzer

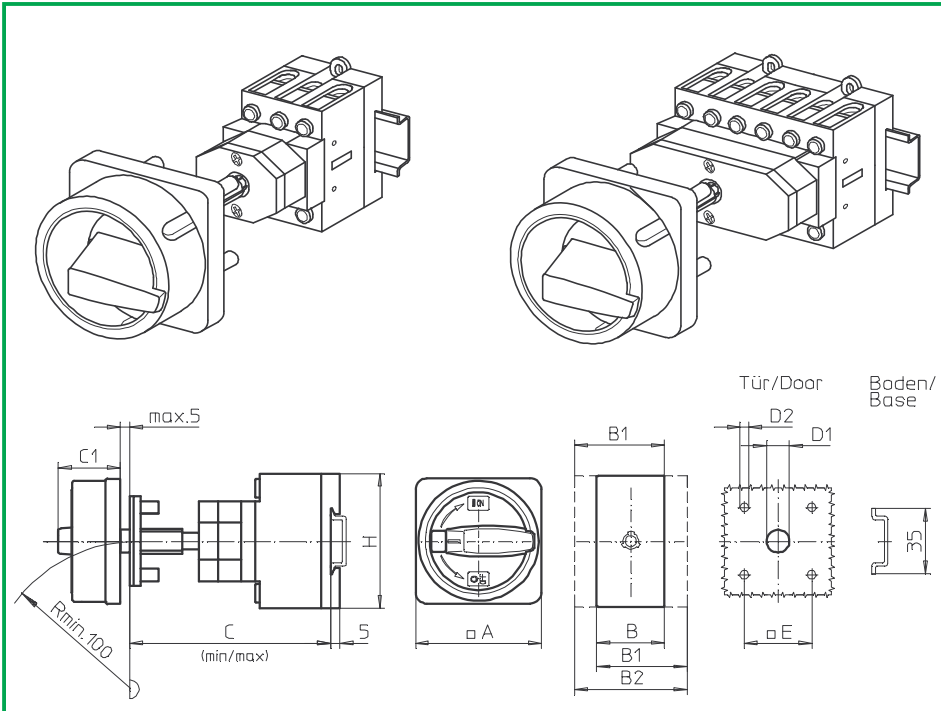
**Product lines**  
**B200-A/ -D**

**Base mounting switch**

**Door clutch**  
Modular shaft extension

**Four hole mounting**  
36 x 36 mm front

**232M1 (IP66)**  
**232M4 (IP66)**



| Complete switch   | Poles   | Product lines | Rated data (IEC 60947)             |                                |            | Order code number  |
|---|---------|---------------|------------------------------------|--------------------------------|------------|--|
|   |         |               | Operational current I <sub>e</sub> | Operational power at 380–440 V |            |  |
|   |         |               | AC-21A<br>A                        | AC-23A<br>kW                   | AC-3<br>kW |  |
| Main Switches<br>OFF position padlockable 09h               | 3 ... 8 | B200-A/ -D    | 50<br>63                           | 18,5<br>22                     | 15<br>18,5 | <b>B250 - 41 ... - 232M1</b><br><b>B263 - 41 ... - 232M1</b> |
| Main/Emergency-Off Switches<br>OFF position padlockable 09h | 3 ... 8 | B200-A/ -D    | 50<br>63                           | 18,5<br>22                     | 15<br>18,5 | <b>B250 - 41 ... - 232M4</b><br><b>B263 - 41 ... - 232M4</b> |

### SMD modules for basic switch A02

Mounting form module for 232M.

B200-A/ -D

**BFB2 - 232**

M-padlock device 67 x 67 mm, mounting form 232M1  
Escutcheon black, padlockable handle black

**2CM1**

M-padlock device 67 x 67 mm, mounting form 232M4  
Escutcheon yellow, padlockable handle red

**2CM4**

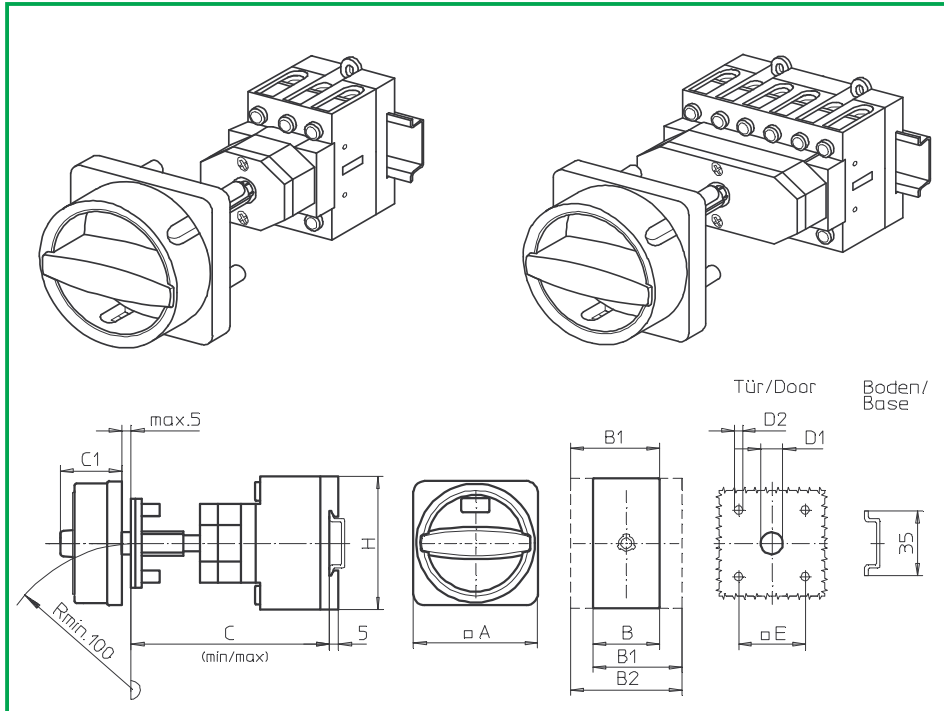
### Dimensions (mm)

| Product lines | A  | B   | B1  | B2  | C <sub>min</sub> | C <sub>max</sub> | C1 | D1 | D2  | E  | H  |
|---------------|----|-----|-----|-----|------------------|------------------|----|----|-----|----|----|
| B200-A        | 67 | 50  | 69  | 88  | 92               | 109              | 38 | 15 | 4,5 | 36 | 72 |
| B200-D        | 67 | 100 | 119 | 138 | 104              | 121              | 38 | 15 | 4,5 | 36 | 72 |

Modular shaft extensions, see page B2-11.

# Base Mounting Switches

# sälzer



**Product lines**  
**B200-A/ -D**

**Base mounting switch**

**Door clutch**

Modular shaft extension

**Four hole mounting**

36 x 36 mm front

**232N1 (IP66)**

**232N4 (IP66)**

| Complete switch   | Poles   | Product lines | Rated data (IEC 60947)             |                                |            | Order code number  |
|---|---------|---------------|------------------------------------|--------------------------------|------------|--|
|   |         |               | Operational current I <sub>e</sub> | Operational power at 380–440 V |            |  |
|   |         |               | AC-21A<br>A                        | AC-23A<br>kW                   | AC-3<br>kW |  |
| Main Switches<br>OFF position padlockable 09h               | 3 ... 8 | B200-A/ -D    | 50<br>63                           | 18,5<br>22                     | 15<br>18,5 | <b>B250 - 41 ... - 232N1</b><br><b>B263 - 41 ... - 232N1</b> |
| Main/Emergency-Off Switches<br>OFF position padlockable 09h | 3 ... 8 | B200-A/ -D    | 50<br>63                           | 18,5<br>22                     | 15<br>18,5 | <b>B250 - 41 ... - 232N4</b><br><b>B263 - 41 ... - 232N4</b> |

## SMD modules for basic switch A02

Mounting form module for 232N.

B200-A/ -D

**BFB2 - 232**

N-padlock device 67 x 67 mm, mounting form 232N1  
Escutcheon black, padlockable handle black

**2CN1**

N-padlock device 67 x 67 mm, mounting form 232N4  
Escutcheon yellow, padlockable handle red

**2CN4**

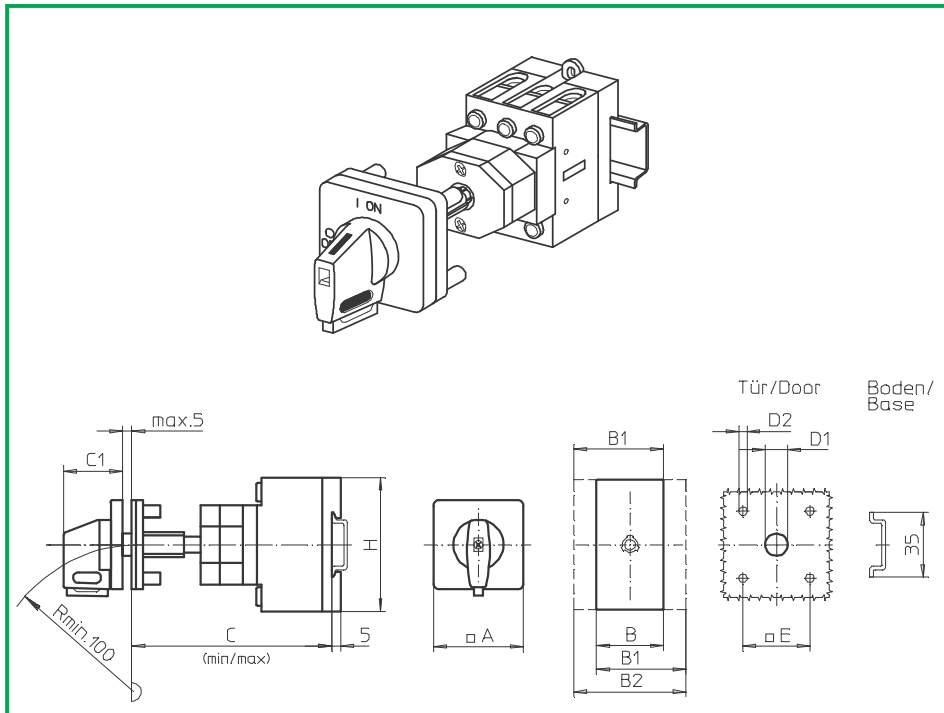
## Dimensions (mm)

| Product lines | A  | B   | B1  | B2  | C <sub>min</sub> | C <sub>max</sub> | C1 | D1 | D2  | E  | H  |
|---------------|----|-----|-----|-----|------------------|------------------|----|----|-----|----|----|
| B200-A        | 67 | 50  | 69  | 88  | 92               | 109              | 33 | 15 | 4,5 | 36 | 72 |
| B200-D        | 67 | 100 | 119 | 138 | 104              | 121              | 33 | 15 | 4,5 | 36 | 72 |

Modular shaft extensions, see page B2-11.

# Base Mounting Switches

# sälzer



**Product lines**  
**B200-A**

**Base mounting switch**

**Door clutch**

Modular shaft extension

**Four hole mounting**

36 x 36 mm front

**232V1 (IP66)**

**232V4 (IP66)**

| Complete switch   | Poles   | Product lines | Rated data (IEC 60947)             |                                |            | Order code number  |
|---|---------|---------------|------------------------------------|--------------------------------|------------|--|
|   |         |               | Operational current I <sub>e</sub> | Operational power at 380–440 V |            |  |
|   |         |               | AC-21A<br>A                        | AC-23A<br>kW                   | AC-3<br>kW |  |
| Main Switches<br>OFF position padlockable 09h               | 3 ... 4 | B200-A        | 50<br>63                           | 18,5<br>22                     | 15<br>18,5 | <b>B250 - 41 ... - 232V1</b><br><b>B263 - 41 ... - 232V1</b> |
| Main/Emergency-Off Switches<br>OFF position padlockable 09h | 3 ... 4 | B200-A        | 50<br>63                           | 18,5<br>22                     | 15<br>18,5 | <b>B250 - 41 ... - 232V4</b><br><b>B263 - 41 ... - 232V4</b> |

### SMD modules for basic switch A02

Mounting form module for 232V.

B200-A

**BFC2 - 241**

V-operator module 48 x 48 mm, mounting form 232V1  
Escutcheon black, handle black

**2AV1 - 09**

Legend plate silver, operator module 232V1

**FAS2 - 9078**

V-operator module 48 x 48 mm, mounting form 232V4  
Escutcheon black, handle red

**2AV4 - 09**

Legend plate yellow, operator module 232V4

**FBS2 - 9078**

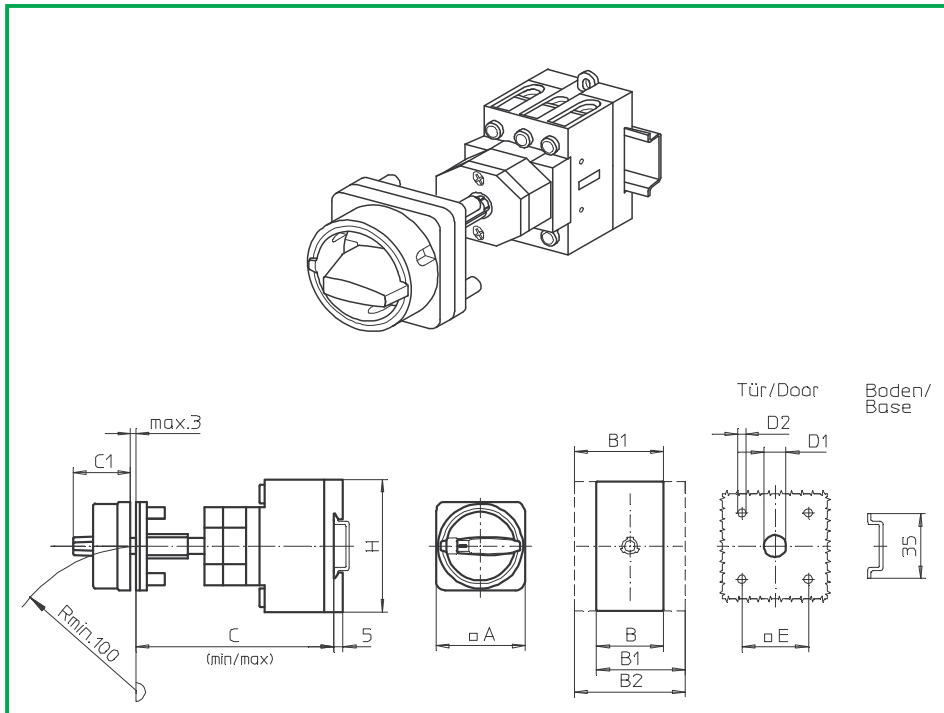
### Dimensions (mm)

| Product lines | A  | B  | B1 | B2 | C <sub>min</sub> | C <sub>max</sub> | C1 | D1 | D2  | E  | H  |
|---------------|----|----|----|----|------------------|------------------|----|----|-----|----|----|
| B200-A        | 48 | 50 | 69 | 88 | 92               | 109              | 32 | 12 | 4,5 | 36 | 72 |

Modular shaft extensions, see page B2-11.

# Base Mounting Switches

# sälzer



**Product line**  
**B200-A**

**Base mounting switch**

**Door clutch**

Modular shaft extension

**Four hole mounting**

36 x 36 mm front

**231M1 (IP66)**

**231M4 (IP66)**

| Complete switch   | Poles   | Product lines | Rated data (IEC 60947)             |                                |            | Order code number  |
|---|---------|---------------|------------------------------------|--------------------------------|------------|--|
|   |         |               | Operational current I <sub>e</sub> | Operational power at 380–440 V |            |  |
|   |         |               | AC-21A<br>A                        | AC-23A<br>kW                   | AC-3<br>kW |  |
| Main Switches<br>OFF position padlockable 09h               | 3 ... 4 | B200-A        | 50<br>63                           | 18,5<br>22                     | 15<br>18,5 | <b>B250 - 41 ... - 231M1</b><br><b>B263 - 41 ... - 231M1</b> |
| Main/Emergency-Off Switches<br>OFF position padlockable 09h | 3 ... 4 | B200-A        | 50<br>63                           | 18,5<br>22                     | 15<br>18,5 | <b>B250 - 41 ... - 231M4</b><br><b>B263 - 41 ... - 231M4</b> |

### SMD modules for basic switch A02

Mounting form module for 231M.

B200-A

**BFC2 - 241**

M-padlock device 48 x 48 mm, mounting form 231M1  
Escutcheon black, padlockable handle black

**2BM1**

M-padlock device 48 x 48 mm, mounting form 231M4  
Escutcheon yellow, padlockable handle red

**2BM4**

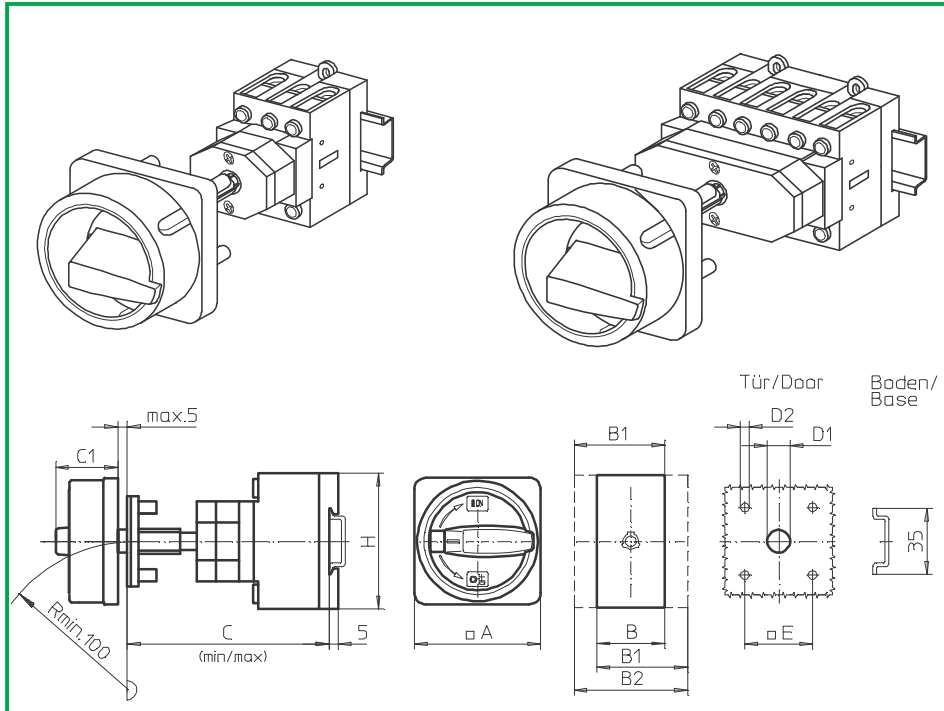
### Dimensions (mm)

| Product lines | A  | B  | B1 | B2 | C <sub>min</sub> | C <sub>max</sub> | C1 | D1 | D2  | E  | H  |
|---------------|----|----|----|----|------------------|------------------|----|----|-----|----|----|
| B200-A        | 48 | 50 | 69 | 88 | 92               | 109              | 31 | 12 | 4,5 | 36 | 72 |

Modular shaft extensions, see page B2-11.

# Base Mounting Switches

**sälzer**



**Product lines**  
**B200-A/ -D**

**Base mounting switch**  
Operator module of next size

**Door clutch**  
Modular shaft extension

**Four hole mounting**  
48 x 48 mm front

**237M1 (IP66)**  
**237M4 (IP66)**

| Complete switch   | Poles   | Product lines | Rated data (IEC 60947)             |                                |            | Order code number  |
|---|---------|---------------|------------------------------------|--------------------------------|------------|--|
|   |         |               | Operational current I <sub>e</sub> | Operational power at 380–440 V |            |  |
|   |         |               | AC-21A<br>A                        | AC-23A<br>kW                   | AC-3<br>kW |  |
| Main Switches<br>OFF position padlockable 09h               | 3 ... 8 | B200-A/ -D    | 50<br>63                           | 18,5<br>22                     | 15<br>18,5 | <b>B250 - 41 ... - 237M1</b><br><b>B263 - 41 ... - 237M1</b> |
| Main/Emergency-Off Switches<br>OFF position padlockable 09h | 3 ... 8 | B200-A/ -D    | 50<br>63                           | 18,5<br>22                     | 15<br>18,5 | <b>B250 - 41 ... - 237M4</b><br><b>B263 - 41 ... - 237M4</b> |

## SMD modules for basic switch A02

Mounting form module for 237M.

B200-A/ -D

**BFB2 - 237**

M-padlock device 67 x 67 mm, mounting form 237M1  
Escutcheon black, padlockable handle black

**4BM1**

M-padlock device 67 x 67 mm, mounting form 237M4  
Escutcheon yellow, padlockable handle red

**4BM4**

## Dimensions (mm)

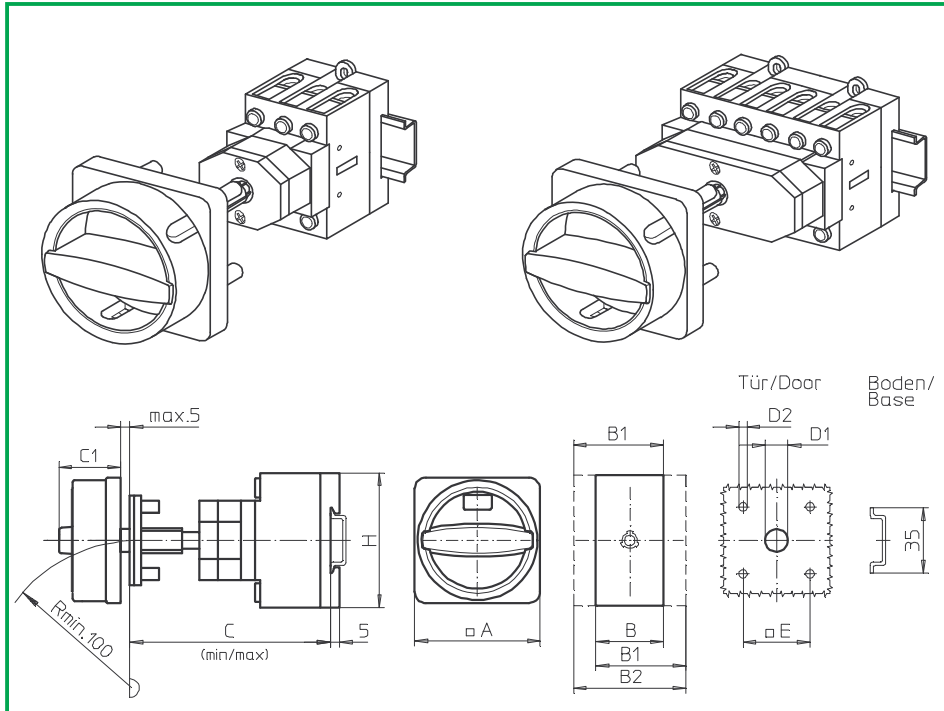
| Product lines | A  | B   | B1  | B2  | C <sub>min</sub> | C <sub>max</sub> | C1 | D1 | D2 | E  | H  |
|---------------|----|-----|-----|-----|------------------|------------------|----|----|----|----|----|
| B200-A        | 67 | 50  | 69  | 88  | 92               | 109              | 39 | 15 | 5  | 48 | 72 |
| B200-D        | 67 | 100 | 119 | 138 | 104              | 121              | 39 | 15 | 5  | 48 | 72 |

Modular shaft extensions, see page B2-11.



# Base Mounting Switches

# sälzer



**Product lines**  
**B200-A/ -D**

**Base mounting switch**  
Operator module of next size

**Door clutch**  
Modular shaft extension

**Four hole mounting**  
48 x 48 mm front

**237N1 (IP66)**  
**237N4 (IP66)**

| Complete switch   | Poles   | Product lines | Rated data (IEC 60947)             |                                |            | Order code number  |
|---|---------|---------------|------------------------------------|--------------------------------|------------|--|
|   |         |               | Operational current I <sub>e</sub> | Operational power at 380–440 V |            |  |
|   |         |               | AC-21A<br>A                        | AC-23A<br>kW                   | AC-3<br>kW |  |
| Main Switches<br>OFF position padlockable 09h               | 3 ... 8 | B200-A/ -D    | 50<br>63                           | 18,5<br>22                     | 15<br>18,5 | <b>B250 - 41 ... - 237N1</b><br><b>B263 - 41 ... - 237N1</b> |
| Main/Emergency-Off Switches<br>OFF position padlockable 09h | 3 ... 8 | B200-A/ -D    | 50<br>63                           | 18,5<br>22                     | 15<br>18,5 | <b>B250 - 41 ... - 237N4</b><br><b>B263 - 41 ... - 237N4</b> |

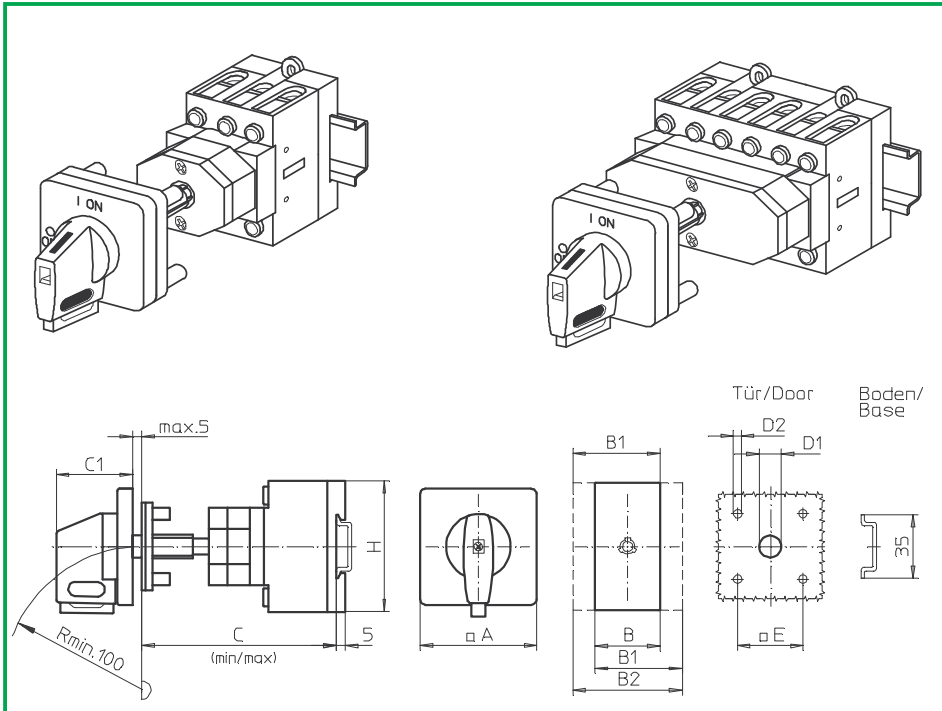
| SMD modules for basic switch A02   |            |                   |
|--|------------|-------------------|
| Mounting form module for 237M.   | B200-A/ -D | <b>BFB2 - 237</b> |
| N-padlock device 67 x 67 mm, mounting form 237N1<br>Escutcheon black, padlockable handle black |            | <b>4BN1</b>       |
| N-padlock device 67 x 67 mm, mounting form 237N4<br>Escutcheon yellow, padlockable handle red  |            | <b>4BN4</b>       |

| Dimensions (mm) |    |     |     |     |                  |                  |    |    |    |    |    |
|-----------------|----|-----|-----|-----|------------------|------------------|----|----|----|----|----|
| Product lines   | A  | B   | B1  | B2  | C <sub>min</sub> | C <sub>max</sub> | C1 | D1 | D2 | E  | H  |
| B200-A          | 64 | 50  | 69  | 88  | 92               | 109              | 39 | 15 | 5  | 48 | 72 |
| B200-D          | 64 | 100 | 119 | 138 | 104              | 121              | 39 | 15 | 5  | 48 | 72 |

Modular shaft extensions, see page B2-11.

# Base Mounting Switches

# sälzer



**Product lines**  
**B200-A/ -D**

**Base mounting switch**  
Operator module of next size

**Door clutch**  
Modular shaft extension

**Four hole mounting**  
48 x 48 mm front

**237V1 (IP66)**  
**237V4 (IP66)**

| Complete switch   | Poles   | Product lines | Rated data (IEC 60947)             |                                |            | Order code number  |
|---|---------|---------------|------------------------------------|--------------------------------|------------|--|
|   |         |               | Operational current I <sub>e</sub> | Operational power at 380–440 V |            |  |
|   |         |               | AC-21A<br>A                        | AC-23A<br>kW                   | AC-3<br>kW |  |
| Main Switches<br>OFF position padlockable 09h               | 3 ... 8 | B200-A/ -D    | 50<br>63                           | 18,5<br>22                     | 15<br>18,5 | <b>B250 - 41 ... - 237V1</b><br><b>B263 - 41 ... - 237V1</b> |
| Main/Emergency-Off Switches<br>OFF position padlockable 09h | 3 ... 8 | B200-A/ -D    | 50<br>63                           | 18,5<br>22                     | 15<br>18,5 | <b>B250 - 41 ... - 237V4</b><br><b>B263 - 41 ... - 237V4</b> |

### SMD modules for basic switch A02

Mounting form module for 237V.

B200-A/ -D

**BFB2 - 247**

V-operator module 64 x 64 mm, mounting form 237V1  
Escutcheon black, handle black

**4AV1 - 09**

Legend plate silver, operator module 237V1

**FAS4 - 9078**

V-operator module 64 x 64 mm, mounting form 237V4  
Escutcheon black, handle red

**4AV4 - 09**

Legend plate yellow, operator module 237V4

**FBS4 - 9078**

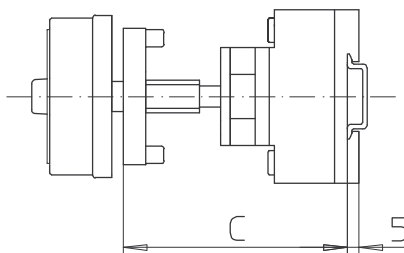
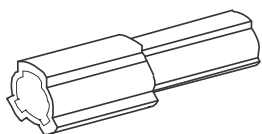
### Dimensions (mm)

| Product lines | A  | B   | B1  | B2  | C <sub>min</sub> | C <sub>max</sub> | C1 | D1 | D2 | E  | H  |
|---------------|----|-----|-----|-----|------------------|------------------|----|----|----|----|----|
| B200-A        | 64 | 50  | 69  | 88  | 92               | 109              | 39 | 15 | 5  | 48 | 72 |
| B200-D        | 64 | 100 | 119 | 138 | 104              | 121              | 39 | 15 | 5  | 48 | 72 |

Modular shaft extensions, see page B2-11.

# Modular shaft extension

**sälzer**



**Product lines**  
B200-A/ -D/ -E

**Base mounting switch**

**Door clutch**  
Modular shaft extension

**Four hole mounting**  
Front

**AVD2**

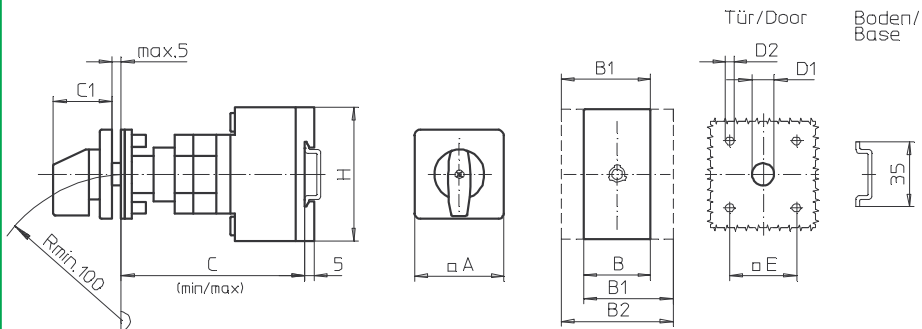
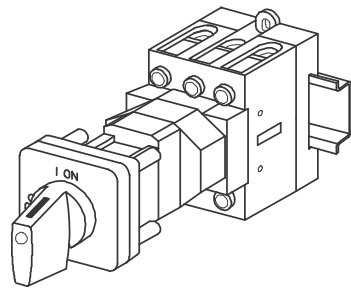
## Modular shaft extensions for use with door clutch

Dimension C (internal depth, inside of door to top of DIN rail)

| Dimension | B200-A           | B200-D/ -E       | No. | Order code number |
|-----------|------------------|------------------|-----|-------------------|
| 0         | 092 . . . 109 mm | 104 . . . 121 mm | -   | -                 |
| 1         | 110 . . . 134 mm | 122 . . . 146 mm | 1   | AVD2              |
| 2         | 135 . . . 159 mm | 147 . . . 171 mm | 2   | AVD2              |
| 3         | 160 . . . 184 mm | 172 . . . 196 mm | 3   | AVD2              |
| 4         | 185 . . . 209 mm | 197 . . . 221 mm | 4   | AVD2              |

# Base Mounting Switches

# sälzer



**Product line**  
**B200-A**

**Base mounting switch**

**Door interlock**  
Modular shaft extension

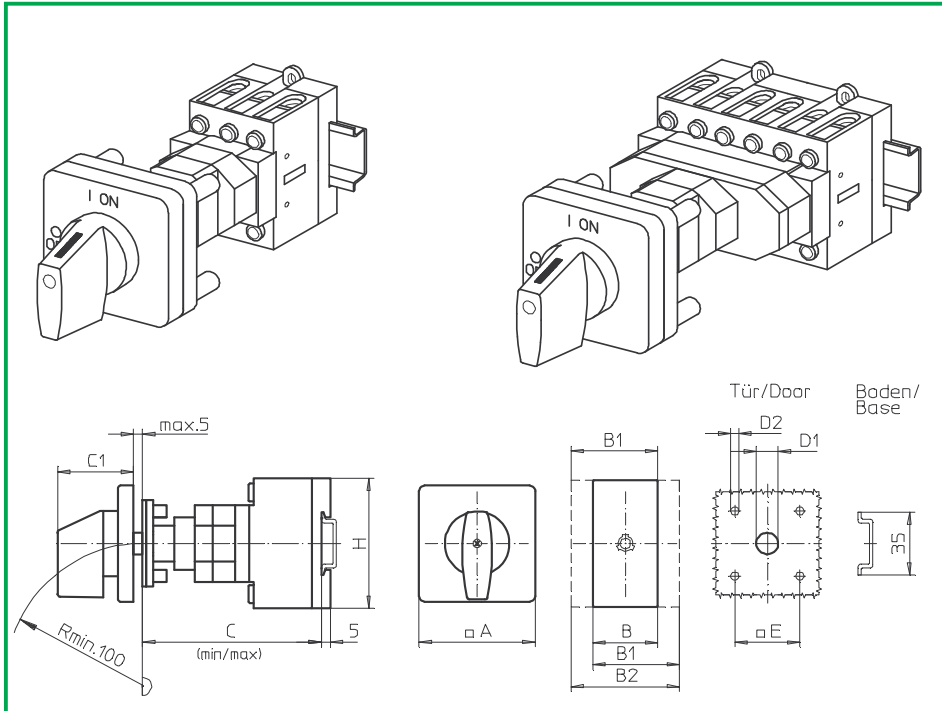
**Four hole mounting**  
36 x 36 mm front

**242M1 (IP66)**

| Complete switch   | Poles    | Product lines | Rated data (IEC 60947)             |                                |                        | Order code number  |           |           |           |          |          |  |
|---|----------|---------------|------------------------------------|--------------------------------|------------------------|--|-----------|-----------|-----------|----------|----------|--|
|   |          |               | Operational current I <sub>e</sub> | Operational power at 380–440 V |                        |  |           |           |           |          |          |  |
|   |          |               | AC-21A<br>A                        | AC-23A<br>kW                   | AC-3<br>kW             |  |           |           |           |          |          |  |
| ON-OFF Switches<br>Switching angle 90°  | 3 ... 4  | B200-A        | 50<br>63                           | 18,5<br>22                     | 15<br>18,5             | <b>B250 - 41 ... - 242M1</b><br><b>B263 - 41 ... - 242M1</b> |           |           |           |          |          |  |
| <b>SMD modules for basic switch A02</b>   |          |               |                                    |                                |                        |  |           |           |           |          |          |  |
| Mounting form module for 242M1  |          |               | B200-A                             |                                |                        | <b>BFC2 - 242</b>  |           |           |           |          |          |  |
| M-operator module 48 x 48 mm, mounting form 242M1<br>Escutcheon black, handle black |          |               |                                    |                                |                        | <b>2AM1</b>  |           |           |           |          |          |  |
| Legend plate silver, operator module 242M1  |          |               |                                    |                                |                        | <b>FAS2 - 9...</b> (FA number)                               |           |           |           |          |          |  |
| <b>Dimensions (mm)</b>  |          |               |                                    |                                |                        |  |           |           |           |          |          |  |
| <b>Product lines</b>  | <b>A</b> | <b>B</b>      | <b>B1</b>                          | <b>B2</b>                      | <b>C<sub>min</sub></b> | <b>C<sub>max</sub></b>                                       | <b>C1</b> | <b>D1</b> | <b>D2</b> | <b>E</b> | <b>H</b> |  |
| B200-A  | 48       | 50            | 69                                 | 88                             | 92                     | 107  | 32        | 12        | 4,5       | 36       | 72       |  |
| Modular shaft extensions, see page B3-11.   |          |               |                                    |                                |                        |  |           |           |           |          |          |  |

# Base Mounting Switches

# sälzer



**Product lines**  
**B200-A/ -D/ -E**

**Base mounting switch**  
Operator module of next size

**Door interlock**  
Modular shaft extension

**Four hole mounting**  
48 x 48 mm front

**248M1 (IP66)**

| Complete switch                            | Poles   | Product lines | Rated data (IEC 60947)             |                                |            | Order code number            |
|--|---------|---------------|------------------------------------|--------------------------------|------------|------------------------------|
|  |         |               | Operational current I <sub>e</sub> | Operational power at 380–440 V |            |                              |
|  |         |               | AC-21A<br>A                        | AC-23A<br>kW                   | AC-3<br>kW |                              |
| ON-OFF Switches<br>Switching angle 90°     | 3 ... 8 | B200-A/ -D    | 50                                 | 18,5                           | 15         | <b>B250 - 41 ... - 248M1</b> |
|  |         |               | 63                                 | 22                             | 18,5       | <b>B263 - 41 ... - 248M1</b> |
| Changeover with OFF<br>Switching angle 90° | 3 ... 4 | B200-E        | 50                                 | 18,5                           | 15         | <b>B250 - 71 ... - 248M1</b> |
|  |         |               | 63                                 | 22                             | 18,5       | <b>B263 - 71 ... - 248M1</b> |

### SMD modules for basic switch A02

Mounting form module for 248M1

B200-A/ -D  
B200-E

**BFB2 - 248**  
**BFC2 - 248**

M-operator module 64 x 64 mm, mounting form 248M1  
Escutcheon black, handle black

B200-A/ -D/ -E

**4AM1**

Legend plate silver, operator module 248M1

**FAS4 - 9...** (FA number)

### Dimensions (mm)

| Product lines | A  | B   | B1  | B2  | C <sub>min</sub> | C <sub>max</sub> | C1 | D1 | D2 | E  | H  |
|---------------|----|-----|-----|-----|------------------|------------------|----|----|----|----|----|
| B200-A        | 64 | 50  | 69  | 88  | 92               | 107              | 39 | 15 | 5  | 48 | 72 |
| B200-D        | 64 | 100 | 119 | 138 | 104              | 119              | 39 | 15 | 5  | 48 | 72 |
| B200-E        | 64 | 100 | 119 | 138 | 104              | 119              | 39 | 15 | 5  | 48 | 72 |

Modular shaft extensions, see page B3-11.

# Base Mounting Switches

# sälzer

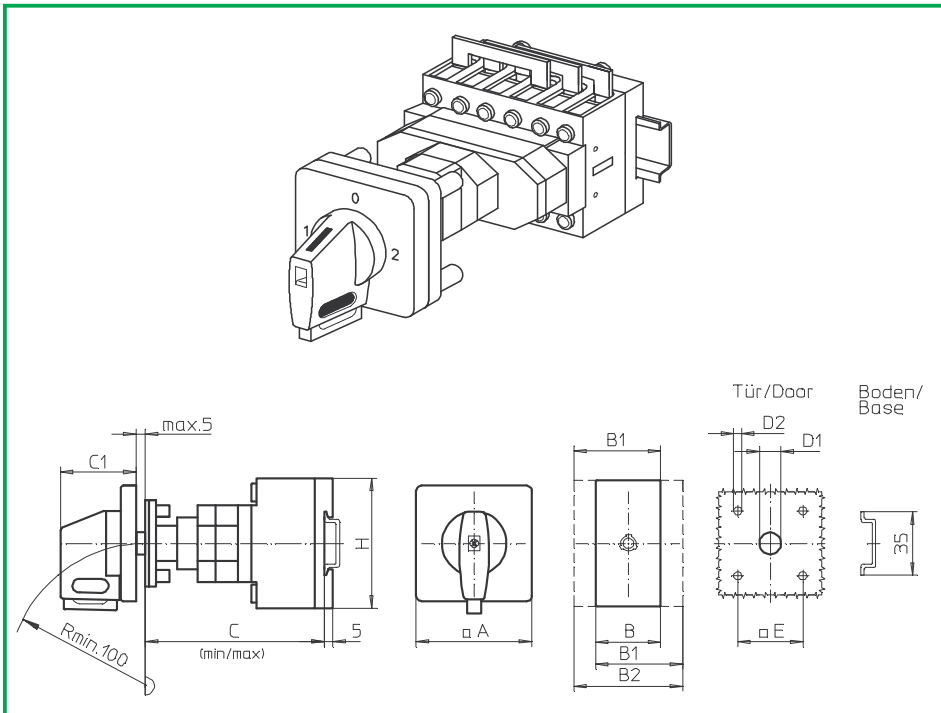
**Product line**  
**B200-E**

**Base mounting switch**  
Operator module of next size

**Door interlock**  
Modular shaft extension

**Four hole mounting**  
48 x 48 mm front

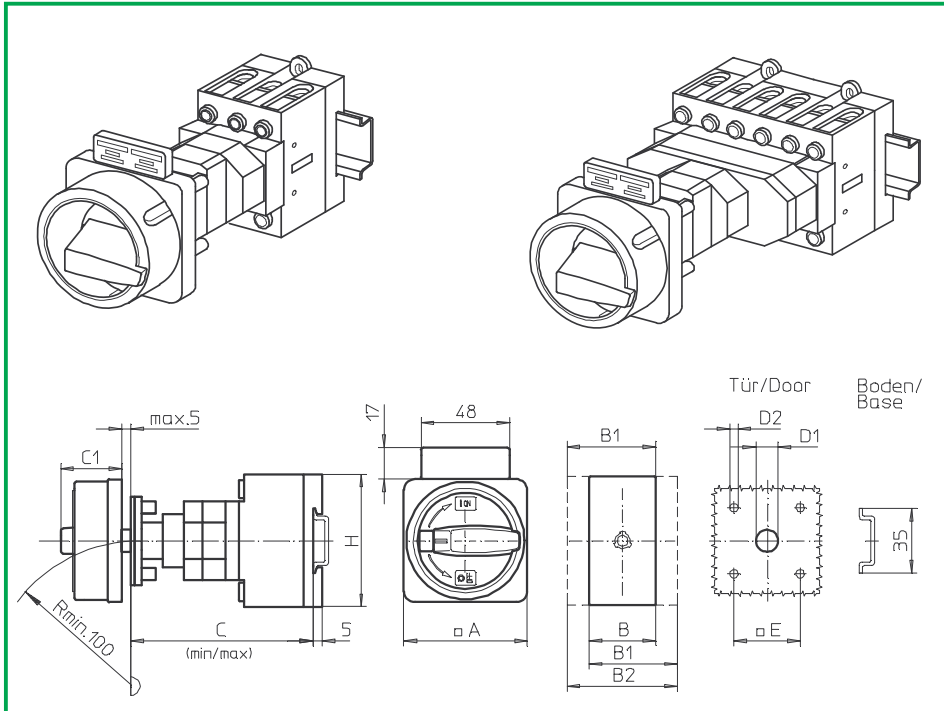
**248V1 (IP66)**  
**249V1 (IP66)**



| Complete switch  | Poles    | Product lines | Rated data (IEC 60947)             |                                |                        | Order code number  |           |           |           |          |          |  |
|--|----------|---------------|------------------------------------|--------------------------------|------------------------|--|-----------|-----------|-----------|----------|----------|--|
|  |          |               | Operational current I <sub>e</sub> | Operational power at 380–440 V |                        |  |           |           |           |          |          |  |
|  |          |               | AC-21A<br>A                        | AC-23A<br>kW                   | AC-3<br>kW             |  |           |           |           |          |          |  |
| Changeover with OFF<br>Switching angle 90°<br>OFF position padlockable 12h             | 3 ... 4  | B200-E        | 50<br>63                           | 18,5<br>22                     | 15<br>18,5             | <b>B250 - 71 ... - 248V1</b><br><b>B263 - 71 ... - 248V1</b> |           |           |           |          |          |  |
| Changeover with OFF<br>Switching angle 90°<br>3 positions padlockable<br>(09h/12h/03h) | 3 ... 4  | B200-E        | 50<br>63                           | 18,5<br>22                     | 15<br>18,5             | <b>B250 - 71 ... - 249V1</b><br><b>B263 - 71 ... - 249V1</b> |           |           |           |          |          |  |
| <b>SMD modules for basic switch A02</b>  |          |               |                                    |                                |                        |  |           |           |           |          |          |  |
| Mounting form module for 248V1/ 249V1  |          |               |                                    | B200-E                         |                        | <b>BFC2 - 248</b>  |           |           |           |          |          |  |
| V-operator module 64 x 64 mm, mounting form 248V1<br>Escutcheon black, handle black    |          |               |                                    |                                |                        | <b>4AV1 - 12</b>   |           |           |           |          |          |  |
| V-operator module 64 x 64 mm, mounting form 249V1<br>Escutcheon black, handle black    |          |               |                                    |                                |                        | <b>4AV1 - 99</b>   |           |           |           |          |          |  |
| Legend plate silver, operator modules 248V1/ 249V1                                     |          |               |                                    |                                |                        | <b>FAS4 - 9...</b> (FA number)                               |           |           |           |          |          |  |
| <b>Dimensions (mm)</b>   |          |               |                                    |                                |                        |  |           |           |           |          |          |  |
| <b>Product lines</b>   | <b>A</b> | <b>B</b>      | <b>B1</b>                          | <b>B2</b>                      | <b>C<sub>min</sub></b> | <b>C<sub>max</sub></b>                                       | <b>C1</b> | <b>D1</b> | <b>D2</b> | <b>E</b> | <b>H</b> |  |
| B200-E   | 64       | 100           | 119                                | 138                            | 104                    | 119  | 39        | 15        | 5         | 48       | 72       |  |
| Modular shaft extensions, see page B3-11.  |          |               |                                    |                                |                        |  |           |           |           |          |          |  |

# Base Mounting Switches

# sälzer



**Product lines**  
**B200-A/ -D**

**Base mounting switch**

**Door interlock**

Modular shaft extension

**Four hole mounting**

36 x 36 mm front

**234M1 (IP66)**

**234M4 (IP66)**

| Complete switch   | Poles   | Product lines | Rated data (IEC 60947)             |                                |            | Order code number  |
|---|---------|---------------|------------------------------------|--------------------------------|------------|--|
|   |         |               | Operational current I <sub>e</sub> | Operational power at 380–440 V |            |  |
|   |         |               | AC-21A<br>A                        | AC-23A<br>kW                   | AC-3<br>kW |  |
| Main Switches<br>OFF position padlockable 09h               | 3 ... 8 | B200-A/ -D    | 50<br>63                           | 18,5<br>22                     | 15<br>18,5 | <b>B250 - 41 ... - 234M1</b><br><b>B263 - 41 ... - 234M1</b> |
| Main/Emergency-Off Switches<br>OFF position padlockable 09h | 3 ... 8 | B200-A/ -D    | 50<br>63                           | 18,5<br>22                     | 15<br>18,5 | <b>B250 - 41 ... - 234M4</b><br><b>B263 - 41 ... - 234M4</b> |

### SMD modules for basic switch A02

Mounting form module for 234M.

B200-A/ -D

**BFB2 - 234**

M-padlock device 67 x 67 mm, mounting form 234M1  
Escutcheon black, padlockable handle black

**2CM1**

M-padlock device 67 x 67 mm, mounting form 234M4  
Escutcheon yellow, padlockable handle red

**2CM4**

Additional top escutcheon plate

**FAZ2 - 8041**

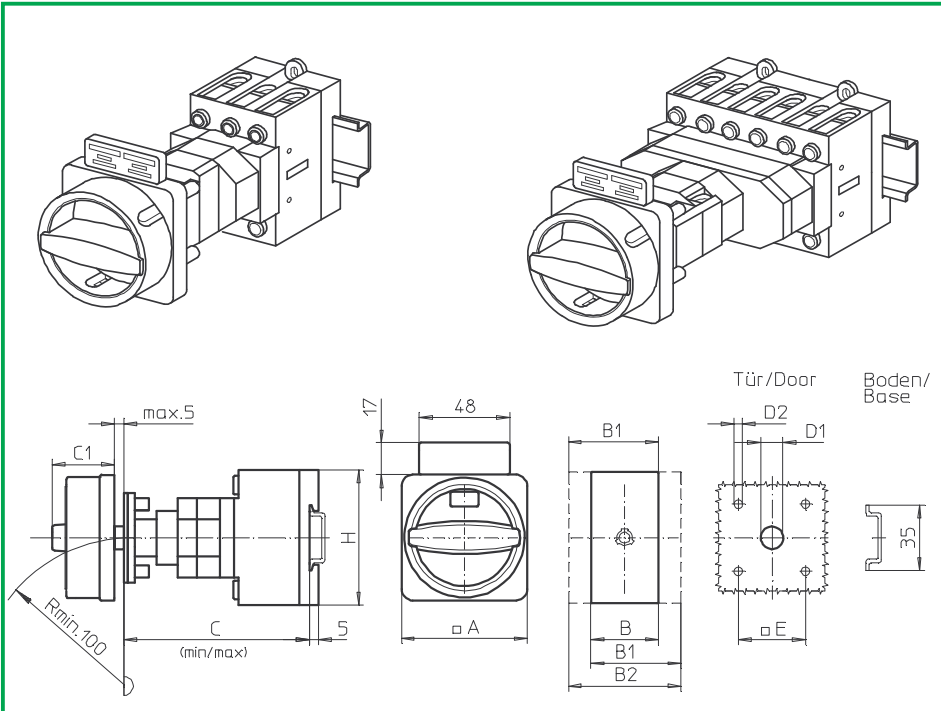
### Dimensions (mm)

| Product lines | A  | B   | B1  | B2  | C <sub>min</sub> | C <sub>max</sub> | C1 | D1 | D2  | E  | H  |
|---------------|----|-----|-----|-----|------------------|------------------|----|----|-----|----|----|
| B200-A        | 67 | 50  | 69  | 88  | 92               | 107              | 38 | 15 | 4,5 | 36 | 72 |
| B200-D        | 67 | 100 | 119 | 138 | 104              | 119              | 38 | 15 | 4,5 | 36 | 72 |

Modular shaft extensions, see page B3-11.

# Base Mounting Switches

# sälzer



**Product lines**  
**B200-A/ -D**

**Base mounting switch**

**Door interlock**

Modular shaft extension

**Four hole mounting**

36 x 36 mm front

**234N1 (IP66)**

**234N4 (IP66)**

| Complete switch   | Poles   | Product lines | Rated data (IEC 60947)             |                                |            | Order code number  |
|---|---------|---------------|------------------------------------|--------------------------------|------------|--|
|   |         |               | Operational current I <sub>e</sub> | Operational power at 380–440 V |            |  |
|   |         |               | AC-21A<br>A                        | AC-23A<br>kW                   | AC-3<br>kW |  |
| Main Switches<br>OFF position padlockable 09h               | 3 ... 8 | B200-A/ -D    | 50<br>63                           | 18,5<br>22                     | 15<br>18,5 | <b>B250 - 41 ... - 234N1</b><br><b>B263 - 41 ... - 234N1</b> |
| Main/Emergency-Off Switches<br>OFF position padlockable 09h | 3 ... 8 | B200-A/ -D    | 50<br>63                           | 18,5<br>22                     | 15<br>18,5 | <b>B250 - 41 ... - 234N4</b><br><b>B263 - 41 ... - 234N4</b> |

### SMD modules for basic switch A02

Mounting form module for 234N.

B200-A/ -D

**BFB2 - 234**

N-padlock device 67 x 67 mm, mounting form 234N1  
Escutcheon black, padlockable handle black

**2CN1**

N-padlock device 67 x 67 mm, mounting form 234N4  
Escutcheon yellow, padlockable handle red

**2CN4**

Additional top escutcheon plate

**FAZ2 - 8041**

### Dimensions (mm)

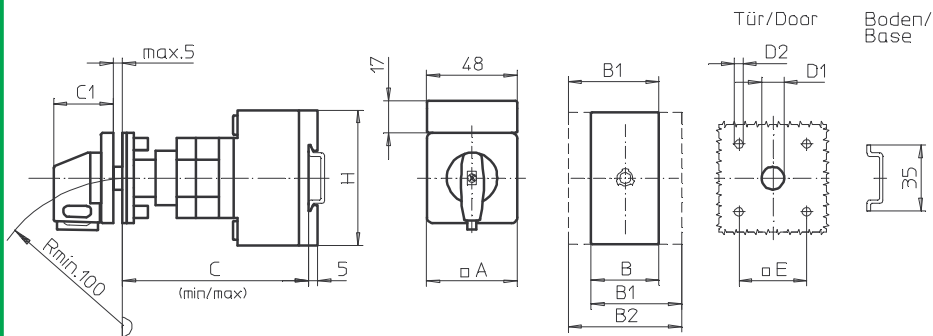
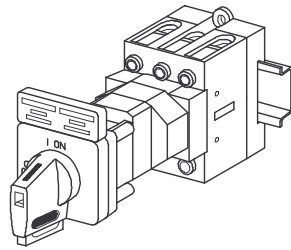
| Product lines | A  | B   | B1  | B2  | C <sub>min</sub> | C <sub>max</sub> | C1 | D1 | D2  | E  | H  |
|---------------|----|-----|-----|-----|------------------|------------------|----|----|-----|----|----|
| B200-A        | 67 | 50  | 69  | 88  | 92               | 107              | 33 | 15 | 4,5 | 36 | 72 |
| B200-D        | 67 | 100 | 119 | 138 | 104              | 119              | 33 | 15 | 4,5 | 36 | 72 |

Modular shaft extensions, see page B3-11.



# Base Mounting Switches

# sälzer



**Product lines**  
**B200-A**

**Base mounting switch**

**Door interlock**

Modular shaft extension

**Four hole mounting**

36 x 36 mm front

**234V1 (IP66)**

**234V4 (IP66)**

| Complete switch   | Poles   | Product lines | Rated data (IEC 60947)             |                                |            | Order code number  |
|---|---------|---------------|------------------------------------|--------------------------------|------------|--|
|   |         |               | Operational current I <sub>e</sub> | Operational power at 380–440 V |            |  |
|   |         |               | AC-21A<br>A                        | AC-23A<br>kW                   | AC-3<br>kW |  |
| Main Switches<br>OFF position padlockable 09h               | 3 ... 4 | B200-A        | 50<br>63                           | 18,5<br>22                     | 15<br>18,5 | <b>B250 - 41 ... - 234V1</b><br><b>B263 - 41 ... - 234V1</b> |
| Main/Emergency-Off Switches<br>OFF position padlockable 09h | 3 ... 4 | B200-A        | 50<br>63                           | 18,5<br>22                     | 15<br>18,5 | <b>B250 - 41 ... - 234V4</b><br><b>B263 - 41 ... - 234V4</b> |

### SMD modules for basic switch A02

Mounting form module for 234V.

B200-A

**BFC2 - 242**

V-operator module 48 x 48 mm, mounting form 234V1

Escutcheon black, handle black

Legend plate silver, operator module 234V1

**2AV1 - 09**

**FAS2 - 9078**

V-operator module 48 x 48 mm, mounting form 234V4

Escutcheon black, handle red

Legend plate yellow, operator module 234V4

**2AV4 - 09**

**FBS2 - 9078**

Additional top escutcheon plate

**FAZ2 - 8041**

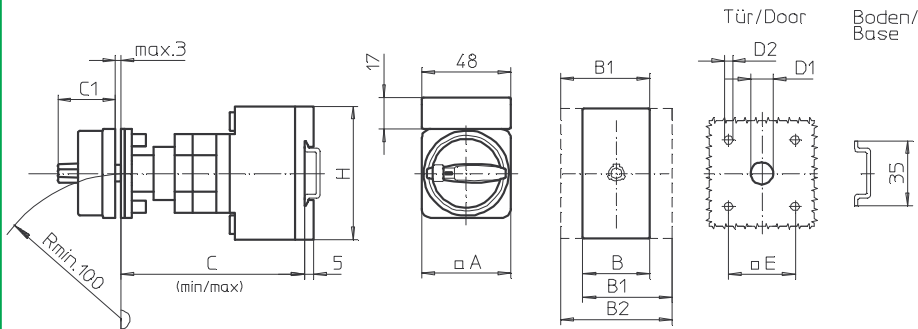
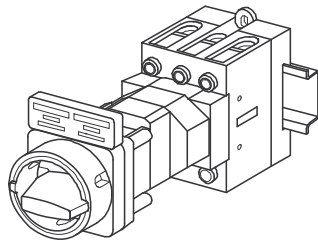
### Dimensions (mm)

| Product lines | A  | B  | B1 | B2 | C <sub>min</sub> | C <sub>max</sub> | C1 | D1 | D2  | E  | H  |
|---------------|----|----|----|----|------------------|------------------|----|----|-----|----|----|
| B200-A        | 48 | 50 | 69 | 88 | 92               | 107              | 32 | 12 | 4,5 | 36 | 72 |

Modular shaft extensions, see page B3-11.

# Base Mounting Switches

# sälzer



**Product line**  
**B200-A**

**Base mounting switch**

**Door interlock**

Modular shaft extension

**Four hole mounting**

36 x 36 mm front

**235M1 (IP66)**

**235M4 (IP66)**

| Complete switch   | Poles   | Product lines | Rated data (IEC 60947)             |                                |            | Order code number  |
|---|---------|---------------|------------------------------------|--------------------------------|------------|--|
|   |         |               | Operational current I <sub>e</sub> | Operational power at 380–440 V |            |  |
|   |         |               | AC-21A<br>A                        | AC-23A<br>kW                   | AC-3<br>kW |  |
| Main Switches<br>OFF position padlockable 09h               | 3 ... 4 | B200-A        | 50<br>63                           | 18,5<br>22                     | 15<br>18,5 | <b>B250 - 41 ... - 235M1</b><br><b>B263 - 41 ... - 235M1</b> |
| Main/Emergency-Off Switches<br>OFF position padlockable 09h | 3 ... 4 | B200-A        | 50<br>63                           | 18,5<br>22                     | 15<br>18,5 | <b>B250 - 41 ... - 235M4</b><br><b>B263 - 41 ... - 235M4</b> |

### SMD modules for basic switch A02

Mounting form module for 235M.

B200-A

**BFC2 - 242**

M-padlock device 48 x 48 mm, mounting form 235M1  
Escutcheon black, padlockable handle black

**2BM1**

M-padlock device 48 x 48 mm, mounting form 235M4  
Escutcheon yellow, padlockable handle red

**2BM4**

Additional top escutcheon plate

**FAZ2 - 8041**

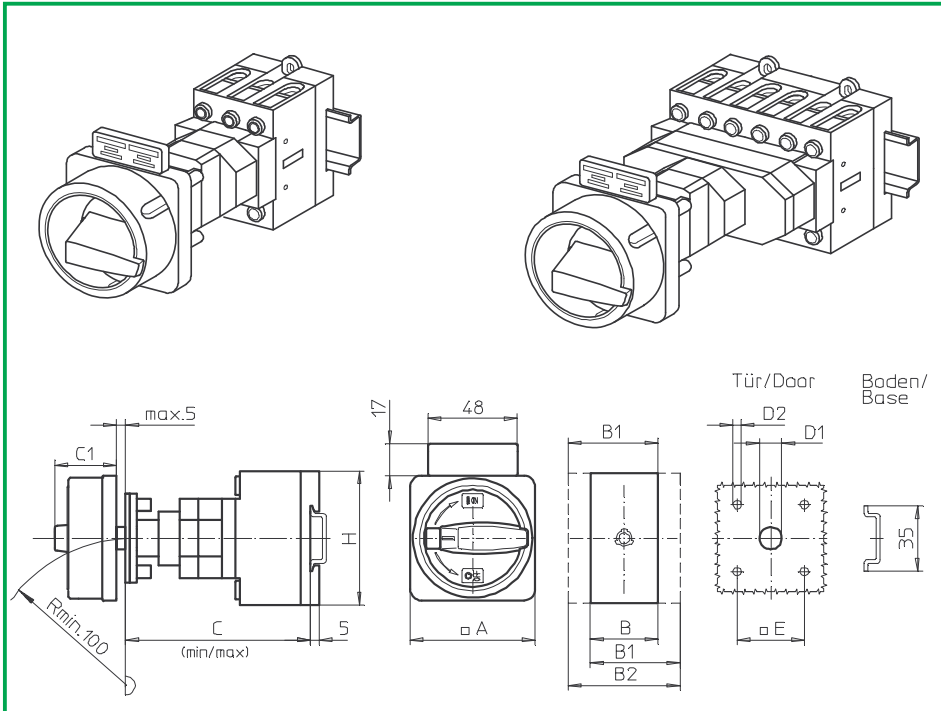
### Dimensions (mm)

| Product lines | A  | B  | B1 | B2 | C <sub>min</sub> | C <sub>max</sub> | C1 | D1 | D2  | E  | H  |
|---------------|----|----|----|----|------------------|------------------|----|----|-----|----|----|
| B200-A        | 48 | 50 | 69 | 88 | 92               | 107              | 31 | 12 | 4,5 | 36 | 72 |

Modular shaft extensions, see page B3-11.

# Base Mounting Switches

**sälzer**



**Product line  
B200-A/-D**

**Base mounting switch**  
Operator module of next size

**Door interlock**  
Modular shaft extension

**Four hole mounting**  
48 x 48 mm front

**238M1 (IP66)**  
**238M4 (IP66)**

| Complete switch   | Poles   | Product lines | Rated data (IEC 60947)             |                                |            | Order code number  |
|---|---------|---------------|------------------------------------|--------------------------------|------------|--|
|   |         |               | Operational current I <sub>e</sub> | Operational power at 380–440 V |            |  |
|   |         |               | AC-21A<br>A                        | AC-23A<br>kW                   | AC-3<br>kW |  |
| Main Switches<br>OFF position padlockable 09h               | 3 ... 8 | B200-A/-D     | 50<br>63                           | 18,5<br>22                     | 15<br>18,5 | <b>B250 - 41 ... - 238M1</b><br><b>B263 - 41 ... - 238M1</b> |
| Main/Emergency-Off Switches<br>OFF position padlockable 09h | 3 ... 8 | B200-A/-D     | 50<br>63                           | 18,5<br>22                     | 15<br>18,5 | <b>B250 - 41 ... - 238M4</b><br><b>B263 - 41 ... - 238M4</b> |

### SMD modules for basic switch A02

Mounting form module for 238M.

B200-A/-D

**BFB2 - 238**

M-padlock device 67 x 67 mm, mounting form 238M1  
Escutcheon black, padlockable handle black

**4BM1**

M-padlock device 67 x 67 mm, mounting form 238M4  
Escutcheon yellow, padlockable handle red

**4BM4**

Additional top escutcheon plate

**FAZ2 - 8041**

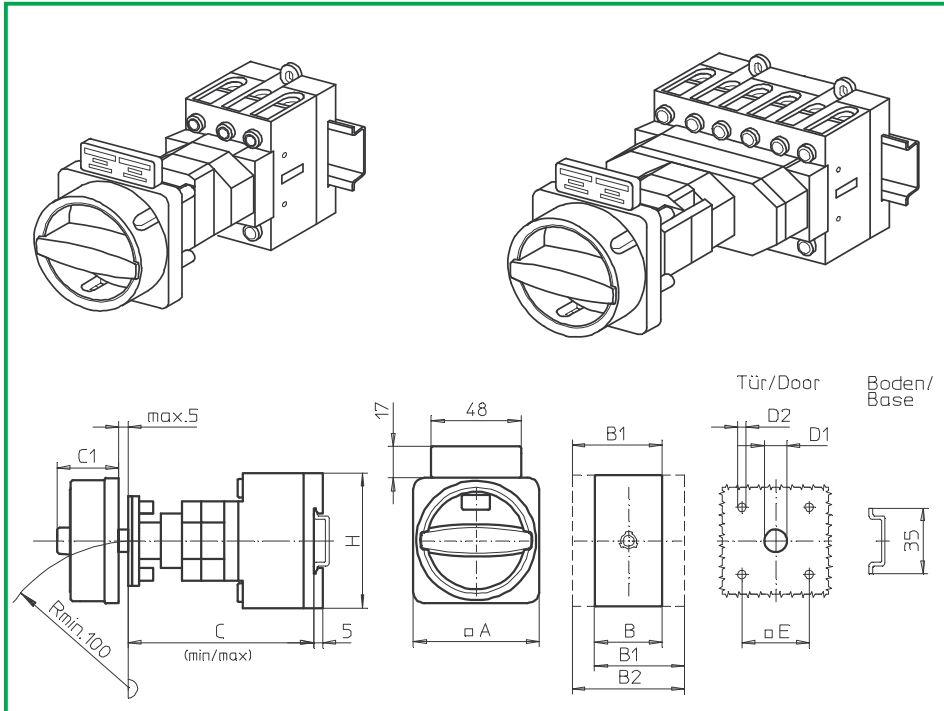
### Dimensions (mm)

| Product lines | A  | B   | B1  | B2  | C <sub>min</sub> | C <sub>max</sub> | C1 | D1 | D2 | E  | H  |
|---------------|----|-----|-----|-----|------------------|------------------|----|----|----|----|----|
| B200-A        | 67 | 50  | 69  | 88  | 92               | 107              | 38 | 15 | 5  | 48 | 72 |
| B200-D        | 67 | 100 | 119 | 138 | 104              | 119              | 38 | 15 | 5  | 48 | 72 |

Modular shaft extensions, see page B3-11.

# Base Mounting Switches

**sälzer**



**Product lines**  
**B200-A/ -D**

**Base mounting switch**  
Operator module of next size

**Door interlock**  
Modular shaft extension

**Four hole mounting**  
48 x 48 mm front

**238N1 (IP66)**  
**238N4 (IP66)**

| Complete switch   | Poles   | Product lines | Rated data (IEC 60947)             |                                |            | Order code number  |
|---|---------|---------------|------------------------------------|--------------------------------|------------|--|
|   |         |               | Operational current I <sub>e</sub> | Operational power at 380–440 V |            |  |
|   |         |               | AC-21A<br>A                        | AC-23A<br>kW                   | AC-3<br>kW |  |
| Main Switches<br>OFF position padlockable 09h               | 3 ... 8 | B200-A/ -D    | 50<br>63                           | 18,5<br>22                     | 15<br>18,5 | <b>B250 - 41 ... - 238N1</b><br><b>B263 - 41 ... - 238N1</b> |
| Main/Emergency-Off Switches<br>OFF position padlockable 09h | 3 ... 8 | B200-A/ -D    | 50<br>63                           | 18,5<br>22                     | 15<br>18,5 | <b>B250 - 41 ... - 238N4</b><br><b>B263 - 41 ... - 238N4</b> |

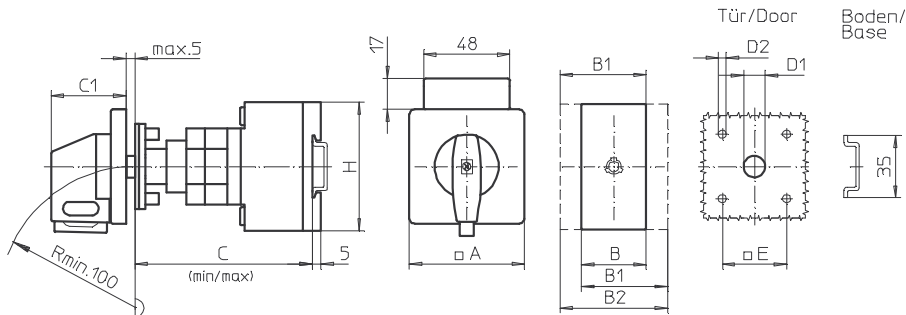
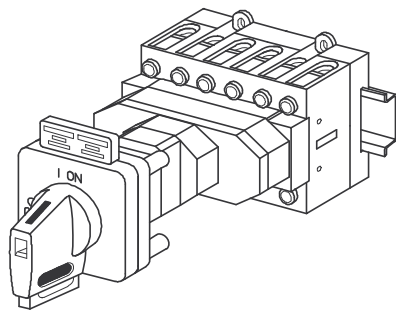
| SMD modules for basic switch A02   |  |        |                    |
|--|--|--------|--------------------|
| Mounting form module for 238M.   |  | B200-A | <b>BFB2 - 238</b>  |
| N-padlock device 67 x 67 mm, mounting form 238N1<br>Escutcheon black, padlockable handle black |  |        | <b>4BN1</b>        |
| N-padlock device 67 x 67 mm, mounting form 238N4<br>Escutcheon yellow, padlockable handle red  |  |        | <b>4BN4</b>        |
| Additional top escutcheon plate  |  |        | <b>FAZ2 - 8041</b> |

| Dimensions (mm) |    |     |     |     |                  |                  |    |    |    |    |    |
|-----------------|----|-----|-----|-----|------------------|------------------|----|----|----|----|----|
| Product lines   | A  | B   | B1  | B2  | C <sub>min</sub> | C <sub>max</sub> | C1 | D1 | D2 | E  | H  |
| B200-A          | 67 | 50  | 69  | 88  | 92               | 107              | 33 | 15 | 5  | 48 | 72 |
| B200-D          | 67 | 100 | 119 | 138 | 104              | 119              | 33 | 15 | 5  | 48 | 72 |

Modular shaft extensions, see page B3-11.

# Base Mounting Switches

# sälzer



**Product lines**  
**B200-A/ -D**

**Base mounting switch**  
Operator module of next size

**Door interlock**  
Modular shaft extension

**Four hole mounting**  
48 x 48 mm front

**238V1 (IP66)**  
**238V4 (IP66)**

| Complete switch   | Poles   | Product lines | Rated data (IEC 60947)             |                                |            | Order code number  |
|---|---------|---------------|------------------------------------|--------------------------------|------------|--|
|   |         |               | Operational current I <sub>e</sub> | Operational power at 380–440 V |            |  |
|   |         |               | AC-21A<br>A                        | AC-23A<br>kW                   | AC-3<br>kW |  |
| Main Switches<br>OFF position padlockable 09h               | 3 ... 8 | B200-A/ -D    | 50<br>63                           | 18,5<br>22                     | 15<br>18,5 | <b>B250 - 41 ... - 238V1</b><br><b>B263 - 41 ... - 238V1</b> |
| Main/Emergency-Off Switches<br>OFF position padlockable 09h | 3 ... 8 | B200-A/ -D    | 50<br>63                           | 18,5<br>22                     | 15<br>18,5 | <b>B250 - 41 ... - 238V4</b><br><b>B263 - 41 ... - 238V4</b> |

### SMD modules for basic switch A02

Mounting form module for 238V.

B200-A/ -D

**BFB2 - 248**

V-operator module 64 x 64 mm, mounting form 238V1  
Escutcheon black, handle black  
Legend plate silver, operator module 238V1

**4AV1 - 09**

**FAS4 - 9078**

V-operator module 64 x 64 mm, mounting form 238V4  
Escutcheon black, handle red  
Legend plate yellow, operator module 238V4  
Additional top escutcheon plate

**4AV4 - 09**

**FBS4 - 9078**

**FAZ2 - 8041**

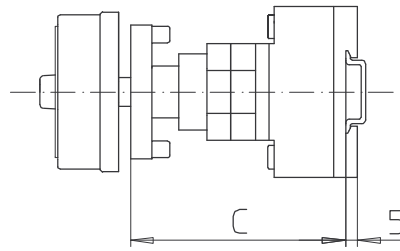
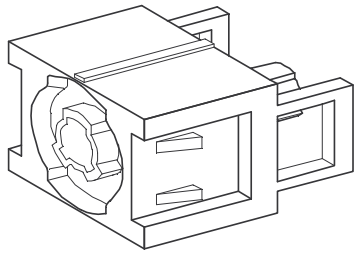
### Dimensions (mm)

| Product lines | A  | B   | B1  | B2  | C <sub>min</sub> | C <sub>max</sub> | C1 | D1 | D2 | E  | H  |
|---------------|----|-----|-----|-----|------------------|------------------|----|----|----|----|----|
| B200-A        | 64 | 50  | 69  | 88  | 92               | 107              | 39 | 15 | 5  | 48 | 72 |
| B200-D        | 64 | 100 | 119 | 138 | 104              | 119              | 39 | 15 | 5  | 48 | 72 |

Modular shaft extensions, see page B3-11.

# Modular shaft extension

**sälzer**



**Product lines**  
B200-A/ -D/ -E

**Base mounting switch**

**Door interlock**  
Modular shaft extension

**Four hole mounting**  
Front

**AVC2 - .**

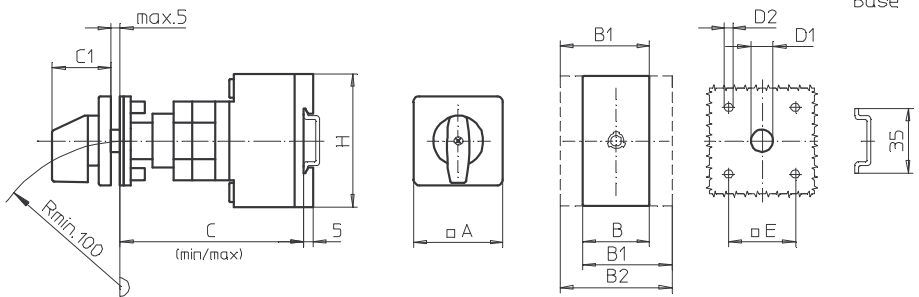
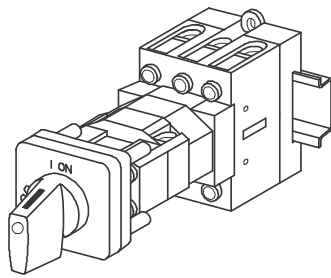
## Modular shaft extensions for use with door interlock

Dimension C (internal depth, inside of door to top of DIN rail)

| Dimension | B200-A           | B200-D/ -E       | No. | Order code number |
|-----------|------------------|------------------|-----|-------------------|
| 0         | 092 . . . 107 mm | 104 . . . 119 mm | -   | -                 |
| 1         | 114 . . . 132 mm | 126 . . . 144 mm | 1   | AVC2 - 1          |
| 2         | 139 . . . 157 mm | 151 . . . 169 mm | 1   | AVC2 - 2          |
| 3         | 164 . . . 182 mm | 176 . . . 194 mm | 1   | AVC2 - 3          |
| 4         | 189 . . . 207 mm | 201 . . . 219 mm | 1   | AVC2 - 4          |

# Base Mounting Switches

# sälzer



**Product line**  
**B200-A**

**Base mounting switch**

**Door interlock**

Modular shaft extension

N/PE connection link

**Four hole mounting**

36 x 36 mm front

**542M1 (IP66)**

| Complete switch                        | Poles   | Product lines | Rated data (IEC 60947)             |                                |            | Order code number  |
|--|---------|---------------|------------------------------------|--------------------------------|------------|--|
|  |         |               | Operational current I <sub>e</sub> | Operational power at 380–440 V |            |  |
|  |         |               | AC-21A<br>A                        | AC-23A<br>kW                   | AC-3<br>kW |  |
| ON-OFF Switches<br>Switching angle 90° | 3 ... 4 | B200-A        | 50<br>63                           | 18,5<br>22                     | 15<br>18,5 | <b>B250 - 41 ... - 542M1</b><br><b>B263 - 41 ... - 542M1</b> |

### SMD modules for basic switch A02

Mounting form module for 542M1

B200-A

**BFA2 - 542**

M-operator module 48 x 48 mm, mounting form 542M1  
Escutcheon black, handle black

**2AM1**

Legend plate silver, operator module 542M1

**FAS2 - 9...** (FA number)

### Dimensions (mm)

| Product line | A  | B  | B1 | B2 | C <sub>min</sub> | C <sub>max</sub> | C1 | D1 | D2  | E  | H  |
|--------------|----|----|----|----|------------------|------------------|----|----|-----|----|----|
| B200-A       | 48 | 50 | 69 | 88 | 92               | 107              | 32 | 12 | 4,5 | 36 | 72 |

N/PE connection link for terminal capacities with max. 16 mm<sup>2</sup>. Modular shaft extensions see page B4-11.

# Base Mounting Switches

# sälzer

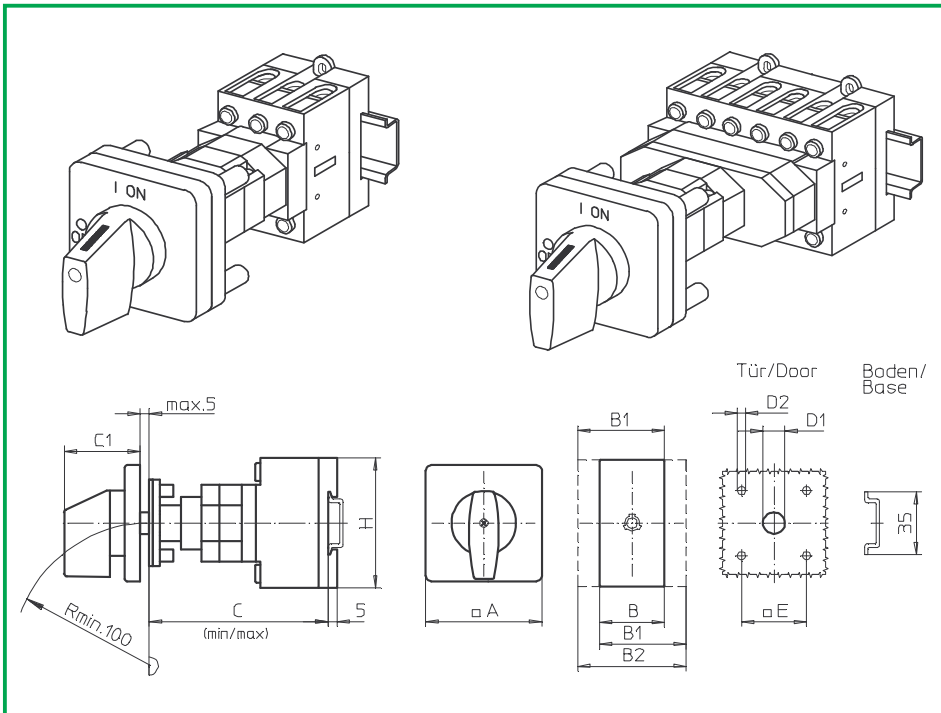
**Product lines**  
**B200-A/ -D/ -E**

**Base mounting switch**  
Operator module of next size

**Door interlock**  
Modular shaft extension  
N/PE connection link

**Four hole mounting**  
48 x 48 mm front

**548M1 (IP66)**



| Complete switch                            | Poles   | Product lines | Rated data (IEC 60947)             |                                |            | Order code number  |
|--|---------|---------------|------------------------------------|--------------------------------|------------|--|
|  |         |               | Operational current I <sub>e</sub> | Operational power at 380–440 V |            |  |
|  |         |               | AC-21A<br>A                        | AC-23A<br>kW                   | AC-3<br>kW |  |
| ON-OFF Switches<br>Switching angle 90°     | 3 ... 8 | B200-A/ -D    | 50<br>63                           | 18,5<br>22                     | 15<br>18,5 | <b>B250 - 41 ... - 548M1</b><br><b>B263 - 41 ... - 548M1</b> |
| Changeover with OFF<br>Switching angle 90° | 3 ... 4 | B200-E        | 50<br>63                           | 18,5<br>22                     | 15<br>18,5 | <b>B250 - 71 ... - 548M1</b><br><b>B263 - 71 ... - 548M1</b> |

### SMD modules for basic switch A02

Mounting form module for 548M1

B200-A/ -D  
B200-E

**BFA2 - 548**  
**BFB2 - 548**

M-operator module 64 x 64 mm, mounting form 548M1  
Escutcheon black, handle black

B200-A/ -D/ -E

**4AM1**

Legend plate silver, operator module 548M1

**FAS4 - 9...** (FA number)

### Dimensions (mm)

| Product lines | A  | B   | B1  | B2  | C <sub>min</sub> | C <sub>max</sub> | C1 | D1 | D2 | E  | H  |
|---------------|----|-----|-----|-----|------------------|------------------|----|----|----|----|----|
| B200-A        | 64 | 50  | 69  | 88  | 92               | 107              | 39 | 15 | 5  | 48 | 72 |
| B200-D        | 64 | 100 | 119 | 138 | 104              | 119              | 39 | 15 | 5  | 48 | 72 |
| B200-E        | 64 | 100 | 119 | 138 | 104              | 119              | 39 | 15 | 5  | 48 | 72 |

N/PE connection link for terminal capacities with max. 16 mm<sup>2</sup>. Modular shaft extensions see page B4-11.



# Base Mounting Switches

# sälzer

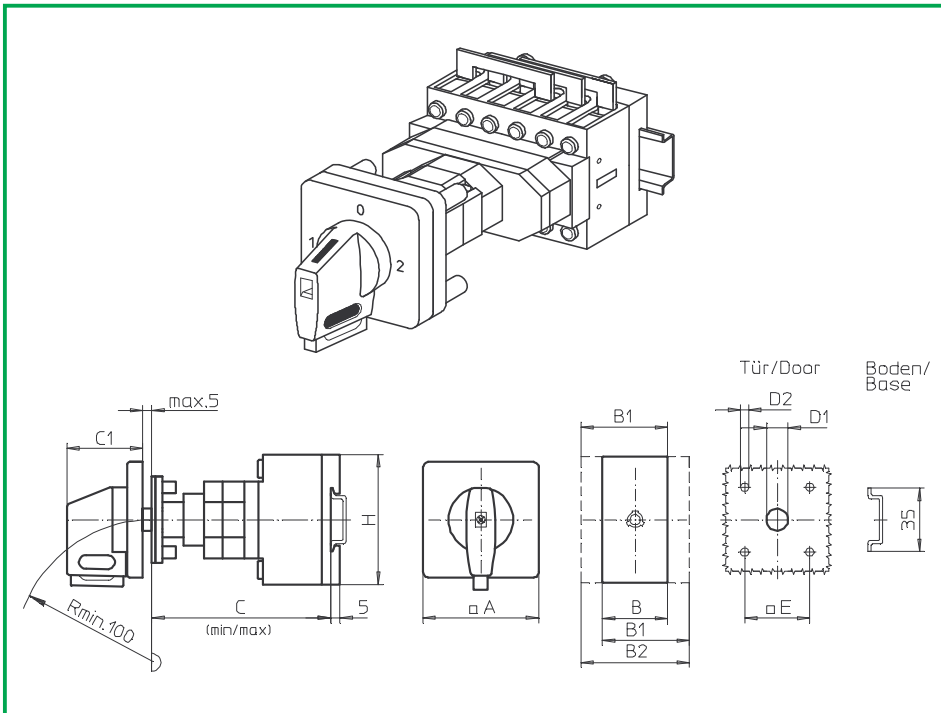
**Product line**  
**B200-E**

**Base mounting switch**  
Operator module of next size

**Door interlock**  
Modular shaft extension  
N/PE connection link

**Four hole mounting**  
48 x 48 mm front

**548V1 (IP66)**  
**549V1 (IP66)**



| Complete switch  | Poles   | Product lines | Rated data (IEC 60947)             |                                |            | Order code number  |
|--|---------|---------------|------------------------------------|--------------------------------|------------|--|
|  |         |               | Operational current I <sub>e</sub> | Operational power at 380–440 V |            |  |
|  |         |               | AC-21A<br>A                        | AC-23A<br>kW                   | AC-3<br>kW |  |
| Changeover with OFF<br>Switching angle 90°<br>OFF position padlockable 12h             | 3 ... 4 | B200-E        | 50<br>63                           | 18,5<br>22                     | 15<br>18,5 | <b>B250 - 71 ... - 548V1</b><br><b>B263 - 71 ... - 548V1</b> |
| Changeover with OFF<br>Switching angle 90°<br>3 positions padlockable<br>(09h/12h/03h) | 3 ... 4 | B200-E        | 50<br>63                           | 18,5<br>22                     | 15<br>18,5 | <b>B250 - 71 ... - 549V1</b><br><b>B263 - 71 ... - 549V1</b> |

### SMD modules for basic switch A02

Mounting form module for 548V1/ 549V1

B200-E

**BFB2 - 548**

V-operator module 64 x 64 mm, mounting form 548V1  
Escutcheon black, handle black

**4AV1 - 12**

V-operator module 64 x 64 mm, mounting form 549V1  
Escutcheon black, handle black

**4AV1 - 99**

Legend plate silver, operator modules 548V1/ 549V1

**FAS4 - 9...** (FA number)

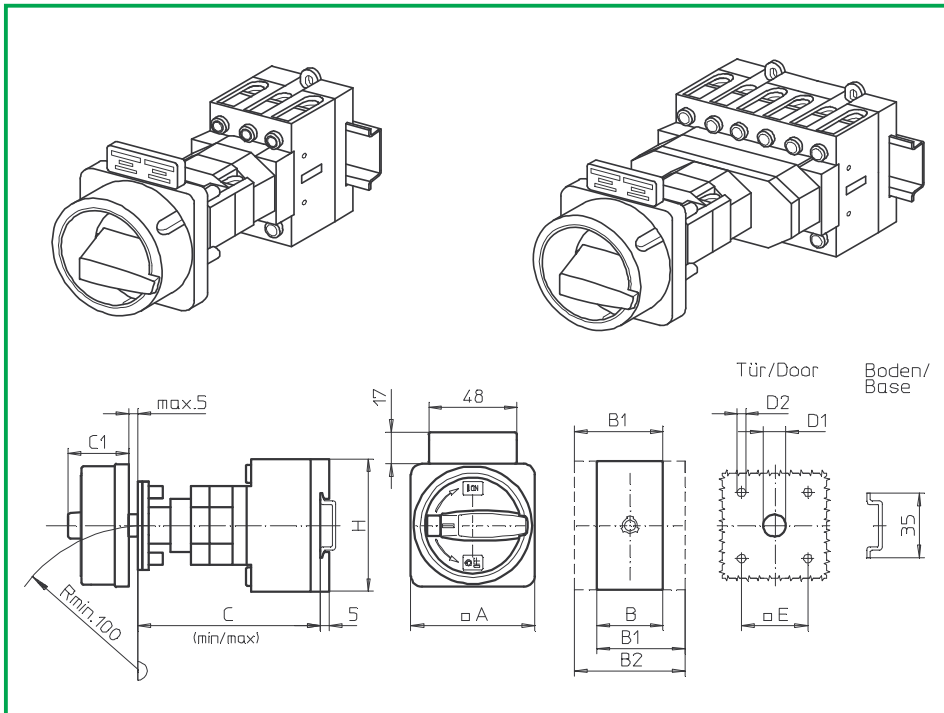
### Dimensions (mm)

| Product lines | A  | B   | B1  | B2  | C <sub>min</sub> | C <sub>max</sub> | C1 | D1 | D2 | E  | H  |
|---------------|----|-----|-----|-----|------------------|------------------|----|----|----|----|----|
| B200-E        | 64 | 100 | 119 | 138 | 104              | 119              | 39 | 15 | 5  | 48 | 72 |

N/PE connection link for terminal capacities with max. 16 mm<sup>2</sup>. Modular shaft extensions see page B4-11.

# Base Mounting Switches

**sälzer**



**Product lines  
B200-A/ -D**

**Base mounting switch**

**Door interlock**

Modular shaft extension  
N/PE connection link

**Four hole mounting**

36 x 36 mm front

**534M1 (IP66)**

**534M4 (IP66)**

| Complete switch   | Poles   | Product lines | Rated data (IEC 60947)             |                                |            | Order code number  |
|---|---------|---------------|------------------------------------|--------------------------------|------------|--|
|   |         |               | Operational current I <sub>e</sub> | Operational power at 380–440 V |            |  |
|   |         |               | AC-21A<br>A                        | AC-23A<br>kW                   | AC-3<br>kW |  |
| Main Switches<br>OFF position padlockable 09h               | 3 ... 8 | B200-A/ -D    | 50<br>63                           | 18,5<br>22                     | 15<br>18,5 | <b>B250 - 41 ... - 534M1</b><br><b>B263 - 41 ... - 534M1</b> |
| Main/Emergency-Off Switches<br>OFF position padlockable 09h | 3 ... 8 | B200-A/ -D    | 50<br>63                           | 18,5<br>22                     | 15<br>18,5 | <b>B250 - 41 ... - 534M4</b><br><b>B263 - 41 ... - 534M4</b> |

## SMD modules for basic switch A02

Mounting form module for 534M.

B200-A/ -D

**BFA2 - 534**

M-padlock device 67 x 67 mm, mounting form 534M1  
Escutcheon black, padlockable handle black

**2CM1**

M-padlock device 67 x 67 mm, mounting form 534M4  
Escutcheon yellow, padlockable handle red

**2CM4**

Additional top escutcheon plate

**FAZ2 - 8041**

## Dimensions (mm)

| Product lines | A  | B   | B1  | B2  | C <sub>min</sub> | C <sub>max</sub> | C1 | D1 | D2  | E  | H  |
|---------------|----|-----|-----|-----|------------------|------------------|----|----|-----|----|----|
| B200-A        | 67 | 50  | 69  | 88  | 92               | 107              | 38 | 15 | 4,5 | 36 | 72 |
| B200-D        | 67 | 100 | 119 | 138 | 104              | 119              | 38 | 15 | 4,5 | 36 | 72 |

N/PE connection link for terminal capacities with max. 16 mm<sup>2</sup>. Modular shaft extensions see page B4-11.

# Base Mounting Switches

# sälzer

**Product lines**  
**B200-A/ -D**

**Base mounting switch**

**Door interlock**

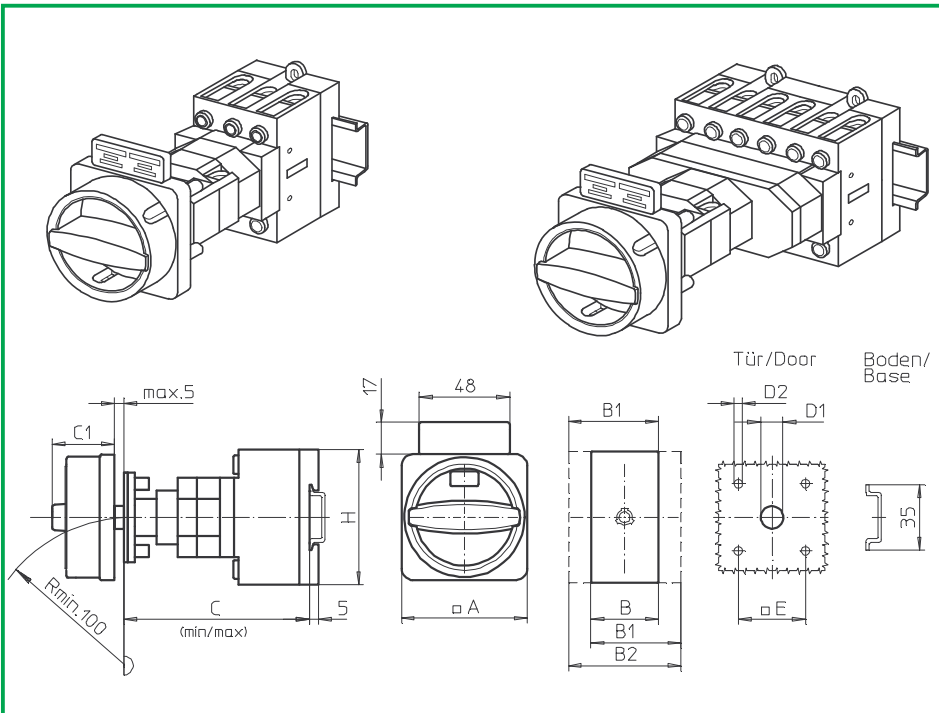
Modular shaft extension  
N/PE connection link

**Four hole mounting**

36 x 36 mm front

**534N1 (IP66)**

**534N4 (IP66)**



| Complete switch   | Poles   | Product lines | Rated data (IEC 60947)             |                                |            | Order code number  |
|---|---------|---------------|------------------------------------|--------------------------------|------------|--|
|   |         |               | Operational current I <sub>e</sub> | Operational power at 380–440 V |            |  |
|   |         |               | AC-21A<br>A                        | AC-23A<br>kW                   | AC-3<br>kW |  |
| Main Switches<br>OFF position padlockable 09h               | 3 ... 8 | B200-A/ -D    | 50<br>63                           | 18,5<br>22                     | 15<br>18,5 | <b>B250 - 41 ... - 534N1</b><br><b>B263 - 41 ... - 534N1</b> |
| Main/Emergency-Off Switches<br>OFF position padlockable 09h | 3 ... 8 | B200-A/ -D    | 50<br>63                           | 18,5<br>22                     | 15<br>18,5 | <b>B250 - 41 ... - 534N4</b><br><b>B263 - 41 ... - 534N4</b> |

## SMD modules for basic switch A02

Mounting form module for 534N.

B200-A/ -D

**BFA2 - 534**

N-padlock device 67 x 67 mm, mounting form 534N1  
Escutcheon black, padlockable handle black

**2CN1**

N-padlock device 67 x 67 mm, mounting form 534N4  
Escutcheon yellow, padlockable handle red

**2CN4**

Additional top escutcheon plate

**FAZ2 - 8041**

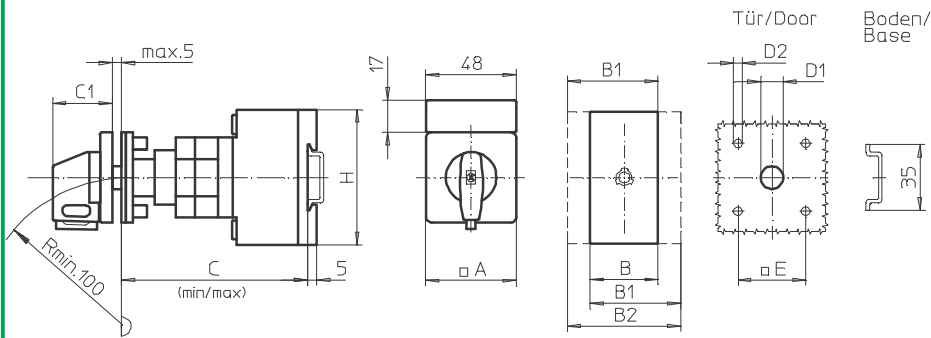
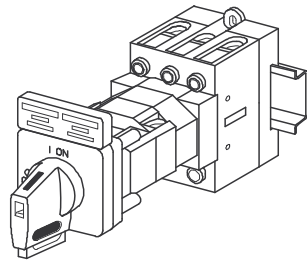
## Dimensions (mm)

| Product lines | A  | B   | B1  | B2  | C <sub>min</sub> | C <sub>max</sub> | C1 | D1 | D2  | E  | H  |
|---------------|----|-----|-----|-----|------------------|------------------|----|----|-----|----|----|
| B200-A        | 67 | 50  | 69  | 88  | 92               | 107              | 33 | 15 | 4,5 | 36 | 72 |
| B200-D        | 67 | 100 | 119 | 138 | 104              | 119              | 33 | 15 | 4,5 | 36 | 72 |

N/PE connection link for terminal capacities with max. 16 mm<sup>2</sup>. Modular shaft extensions see page B4-11.

# Base Mounting Switches

# sälzer



**Product lines  
B200-A**

**Base mounting switch**

**Door interlock**

Modular shaft extension  
N/PE connection link

**Four hole mounting**

36 x 36 mm front

**534V1 (IP66)**

**534V4 (IP66)**

| Complete switch   | Poles   | Product lines | Rated data (IEC 60947)             |                                |            | Order code number  |
|---|---------|---------------|------------------------------------|--------------------------------|------------|--|
|   |         |               | Operational current I <sub>e</sub> | Operational power at 380–440 V |            |  |
|   |         |               | AC-21A<br>A                        | AC-23A<br>kW                   | AC-3<br>kW |  |
| Main Switches<br>OFF position padlockable 09h               | 3 ... 4 | B200-A        | 50<br>63                           | 18,5<br>22                     | 15<br>18,5 | <b>B250 - 41 ... - 534V1</b><br><b>B263 - 41 ... - 534V1</b> |
| Main/Emergency-Off Switches<br>OFF position padlockable 09h | 3 ... 4 | B200-A        | 50<br>63                           | 18,5<br>22                     | 15<br>18,5 | <b>B250 - 41 ... - 534V4</b><br><b>B263 - 41 ... - 534V4</b> |

### SMD modules for basic switch A02

Mounting form module for 534V.

B200-A

**BFA2 - 542**

V-operator module 48 x 48 mm, mounting form 534V1  
Escutcheon black, handle black  
Legend plate silver, operator module 534V1

**2AV1 - 09**

**FAS2 - 9078**

V-operator module 48 x 48 mm, mounting form 534V4  
Escutcheon black, handle red  
Legend plate yellow, operator module 534V4  
Additional top escutcheon plate

**2AV4 - 09**

**FBS2 - 9078**

**FAZ2 - 8041**

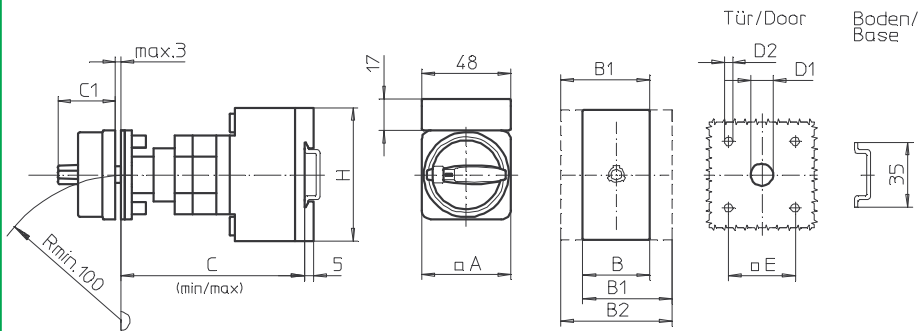
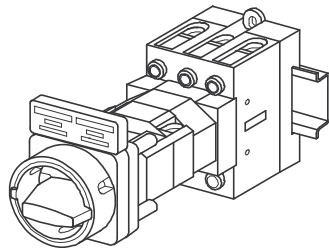
### Dimensions (mm)

| Product line | A  | B  | B1 | B2 | C <sub>min</sub> | C <sub>max</sub> | C1 | D1 | D2  | E  | H  |
|--------------|----|----|----|----|------------------|------------------|----|----|-----|----|----|
| B200-A       | 48 | 50 | 69 | 88 | 92               | 107              | 32 | 12 | 4,5 | 36 | 72 |

N/PE connection link for terminal capacities with max. 16 mm<sup>2</sup>. Modular shaft extensions see page B4-11.

# Base Mounting Switches

# sälzer



**Product line**  
**B200-A**

**Base mounting switch**

**Door interlock**

Modular shaft extension  
N/PE connection link

**Four hole mounting**

36 x 36 mm front

**535M1 (IP66)**

**535M4 (IP66)**

| Complete switch   | Poles   | Product lines | Rated data (IEC 60947)             |                                |            | Order code number  |
|---|---------|---------------|------------------------------------|--------------------------------|------------|--|
|   |         |               | Operational current I <sub>e</sub> | Operational power at 380–440 V |            |  |
|   |         |               | AC-21A<br>A                        | AC-23A<br>kW                   | AC-3<br>kW |  |
| Main Switches<br>OFF position padlockable 09h               | 3 ... 4 | B200-A        | 50<br>63                           | 18,5<br>22                     | 15<br>18,5 | <b>B250 - 41 ... - 535M1</b><br><b>B263 - 41 ... - 535M1</b> |
| Main/Emergency-Off Switches<br>OFF position padlockable 09h | 3 ... 4 | B200-A        | 50<br>63                           | 18,5<br>22                     | 15<br>18,5 | <b>B250 - 41 ... - 535M4</b><br><b>B263 - 41 ... - 535M4</b> |

### SMD modules for basic switch A02

Mounting form module for 535M.

B200-A

**BFA2 - 542**

M-padlock device 48 x 48 mm, mounting form 535M1  
Escutcheon black, padlockable handle black

**2BM1**

M-padlock device 48 x 48 mm, mounting form 535M4  
Escutcheon yellow, padlockable handle red

**2BM4**

Additional top escutcheon plate

**FAZ2 - 8041**

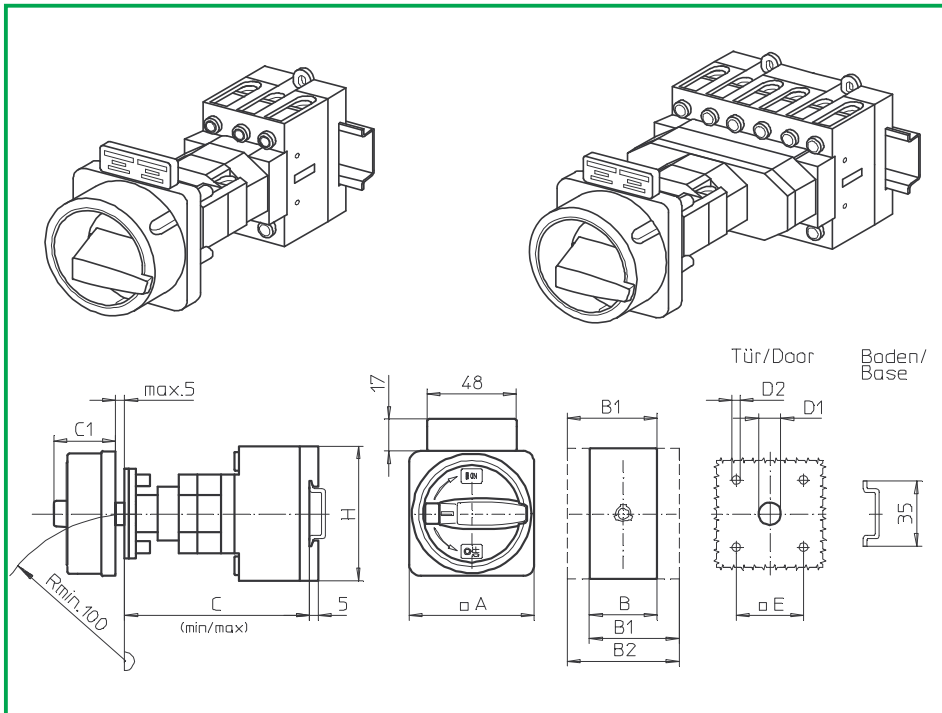
### Dimensions (mm)

| Product line | A  | B  | B1 | B2 | C <sub>min</sub> | C <sub>max</sub> | C1 | D1 | D2  | E  | H  |
|--------------|----|----|----|----|------------------|------------------|----|----|-----|----|----|
| B200-A       | 48 | 50 | 69 | 88 | 92               | 107              | 31 | 12 | 4,5 | 36 | 72 |

N/PE connection link for terminal capacities with max. 16 mm<sup>2</sup>. Modular shaft extensions see page B4-11.

# Base Mounting Switches

**sälzer**



**Product lines**  
**B200-A/ -D**

**Base mounting switch**  
Operator module of next size

**Door interlock**  
Modular shaft extension  
N/PE connection link

**Four hole mounting**  
48 x 48 mm front

**538M1 (IP66)**  
**538M4 (IP66)**

| Complete switch   | Poles   | Product lines | Rated data (IEC 60947)             |                                |            | Order code number  |
|---|---------|---------------|------------------------------------|--------------------------------|------------|--|
|   |         |               | Operational current I <sub>e</sub> | Operational power at 380–440 V |            |  |
|   |         |               | AC-21A<br>A                        | AC-23A<br>kW                   | AC-3<br>kW |  |
| Main Switches<br>OFF position padlockable 09h               | 3 ... 8 | B200-A/ -D    | 50<br>63                           | 18,5<br>22                     | 15<br>18,5 | <b>B250 - 41 ... - 538M1</b><br><b>B263 - 41 ... - 538M1</b> |
| Main/Emergency-Off Switches<br>OFF position padlockable 09h | 3 ... 8 | B200-A/ -D    | 50<br>63                           | 18,5<br>22                     | 15<br>18,5 | <b>B250 - 41 ... - 538M4</b><br><b>B263 - 41 ... - 538M4</b> |

## SMD modules for basic switch A02

Mounting form module for 538M.

B200-A/ -D

**BFA2 - 538**

M-padlock device 67 x 67 mm, mounting form 538M1  
Escutcheon black, padlockable handle black

**4BM1**

M-padlock device 67 x 67 mm, mounting form 538M4  
Escutcheon yellow, padlockable handle red

**4BM4**

Additional top escutcheon plate

**FAZZ - 8041**

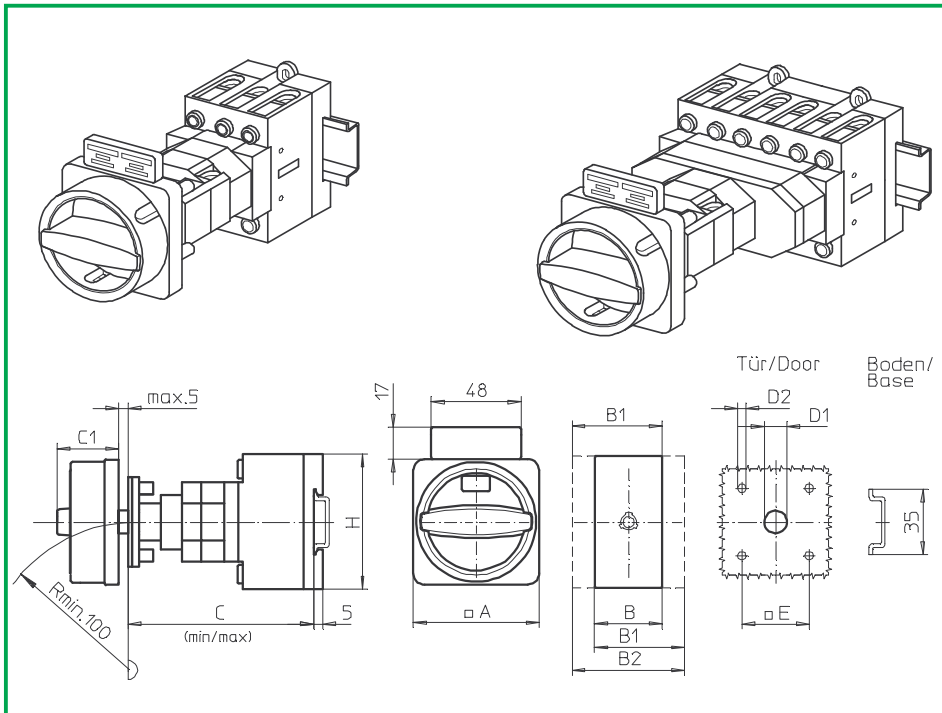
## Dimensions (mm)

| Product lines | A  | B   | B1  | B2  | C <sub>min</sub> | C <sub>max</sub> | C1 | D1 | D2 | E  | H  |
|---------------|----|-----|-----|-----|------------------|------------------|----|----|----|----|----|
| B200-A        | 67 | 50  | 69  | 88  | 92               | 107              | 38 | 15 | 5  | 48 | 72 |
| B200-D        | 67 | 100 | 119 | 138 | 104              | 119              | 38 | 15 | 5  | 48 | 72 |

N/PE connection link for terminal capacities with max. 16 mm<sup>2</sup>. Modular shaft extensions see page B4-11.

# Base Mounting Switches

**sälzer**



**Product lines**  
**B200-A/ -D**

**Base mounting switch**  
Operator module of next size

**Door interlock**  
Modular shaft extension  
N/PE connection link

**Four hole mounting**  
48 x 48 mm front

**538N1 (IP66)**  
**538N4 (IP66)**

| Complete switch   | Poles   | Product lines | Rated data (IEC 60947)             |                                |            | Order code number  |
|---|---------|---------------|------------------------------------|--------------------------------|------------|--|
|   |         |               | Operational current I <sub>e</sub> | Operational power at 380–440 V |            |  |
|   |         |               | AC-21A<br>A                        | AC-23A<br>kW                   | AC-3<br>kW |  |
| Main Switches<br>OFF position padlockable 09h               | 3 ... 8 | B200-A/ -D    | 50<br>63                           | 18,5<br>22                     | 15<br>18,5 | <b>B250 - 41 ... - 538N1</b><br><b>B263 - 41 ... - 538N1</b> |
| Main/Emergency-Off Switches<br>OFF position padlockable 09h | 3 ... 8 | B200-A/ -D    | 50<br>63                           | 18,5<br>22                     | 15<br>18,5 | <b>B250 - 41 ... - 538N4</b><br><b>B263 - 41 ... - 538N4</b> |

## SMD modules for basic switch A02

Mounting form module for 538M.

B200-A/ -D

**BFA2 - 538**

N-padlock device 67 x 67 mm, mounting form 538N1  
Escutcheon black, padlockable handle black

**4BN1**

N-padlock device 67 x 67 mm, mounting form 538N4  
Escutcheon yellow, padlockable handle red

**4BN4**

Additional top escutcheon plate

**FAZZ - 8041**

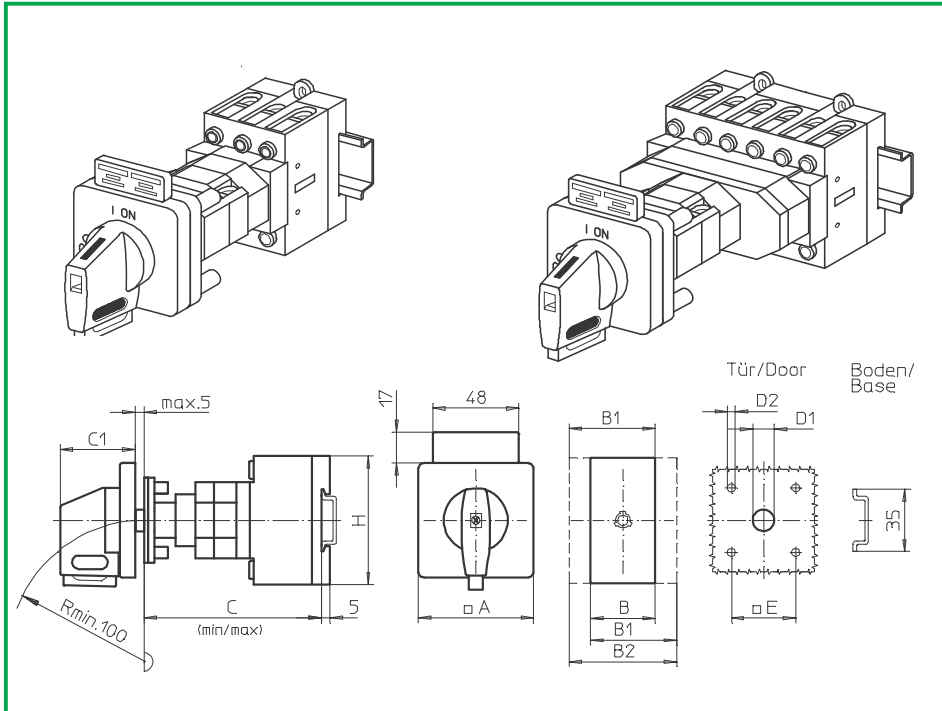
## Dimensions (mm)

| Product lines | A  | B   | B1  | B2  | C <sub>min</sub> | C <sub>max</sub> | C1 | D1 | D2 | E  | H  |
|---------------|----|-----|-----|-----|------------------|------------------|----|----|----|----|----|
| B200-A        | 64 | 50  | 69  | 88  | 92               | 107              | 39 | 15 | 5  | 48 | 72 |
| B200-D        | 64 | 100 | 119 | 138 | 104              | 119              | 39 | 15 | 5  | 48 | 72 |

N/PE connection link for terminal capacities with max. 16 mm<sup>2</sup>. Modular shaft extensions see page B4-11.

# Base Mounting Switches

# sälzer



**Product lines**  
**B200-A/ -D**

**Base mounting switch**  
Operator module of next size

**Door interlock**  
Modular shaft extension  
N/PE connection link

**Four hole mounting**  
48 x 48 mm front

**538V1 (IP66)**  
**538V4 (IP66)**

| Complete switch   | Poles   | Product lines | Rated data (IEC 60947)             |                                |            | Order code number  |
|---|---------|---------------|------------------------------------|--------------------------------|------------|--|
|   |         |               | Operational current I <sub>e</sub> | Operational power at 380–440 V |            |  |
|   |         |               | AC-21A<br>A                        | AC-23A<br>kW                   | AC-3<br>kW |  |
| Main Switches<br>OFF position padlockable 09h               | 3 ... 8 | B200-A/ -D    | 50<br>63                           | 18,5<br>22                     | 15<br>18,5 | <b>B250 - 41 ... - 538V1</b><br><b>B263 - 41 ... - 538V1</b> |
| Main/Emergency-Off Switches<br>OFF position padlockable 09h | 3 ... 8 | B200-A/ -D    | 50<br>63                           | 18,5<br>22                     | 15<br>18,5 | <b>B250 - 41 ... - 538V4</b><br><b>B263 - 41 ... - 538V4</b> |

### SMD modules for basic switch A02

Mounting form module for 538V.

B200-A/ -D

**BFA2 - 548**

V-operator module 64 x 64 mm, mounting form 538V1  
Escutcheon black, handle black  
Legend plate silver, operator module 538V1

**4AV1 - 09**

**FAS4 - 9078**

V-operator module 64 x 64 mm, mounting form 538V4  
Escutcheon black, handle red  
Legend plate yellow, operator module 538V4  
Additional top escutcheon plate

**4AV4 - 09**

**FBS4 - 9078**

**FAZZ - 8041**

### Dimensions (mm)

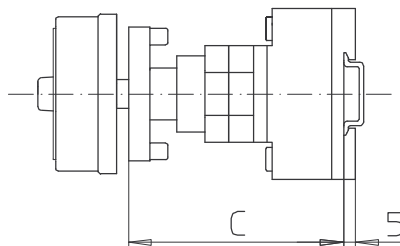
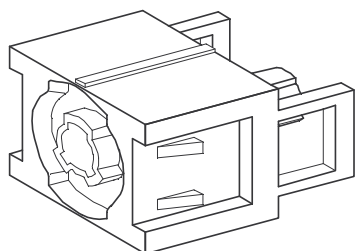
| Product lines | A  | B  | B1 | B2 | C <sub>min</sub> | C <sub>max</sub> | C1 | D1 | D2 | E  | H  |
|---------------|----|----|----|----|------------------|------------------|----|----|----|----|----|
| B200-A        | 64 | 50 | 69 | 88 | 92               | 107              | 39 | 15 | 5  | 48 | 72 |
| B200-D        | 64 | 72 | 84 | 96 | 100              | 115              | 39 | 15 | 5  | 48 | 70 |

N/PE connection link for terminal capacities with max. 16 mm<sup>2</sup>. Modular shaft extensions see page B4-11.



# Modular shaft extension

**sälzer**



**Product lines**  
B200-A/ -D/ -E

**Base mounting switch**

**Door interlock**  
Modular shaft extension  
N/PE connection link

**Four hole mounting**  
Front

**AVC2 - .**

## Modular shaft extensions for use with door interlock

Dimension C (internal depth, inside of door to top of DIN rail)

| Dimension | B200-A           | B200-D/ -E       | No. | Order code number |
|-----------|------------------|------------------|-----|-------------------|
| 0         | 092 . . . 107 mm | 104 . . . 119 mm | -   | -                 |
| 1         | 114 . . . 132 mm | 126 . . . 144 mm | 1   | AVC2 - 1          |
| 2         | 139 . . . 157 mm | 151 . . . 169 mm | 1   | AVC2 - 2          |
| 3         | 164 . . . 182 mm | 176 . . . 194 mm | 1   | AVC2 - 3          |
| 4         | 189 . . . 207 mm | 201 . . . 219 mm | 1   | AVC2 - 4          |

# Base Mounting Switches

**sälzer**

**Product line  
B200-A**

**Base mounting switch**

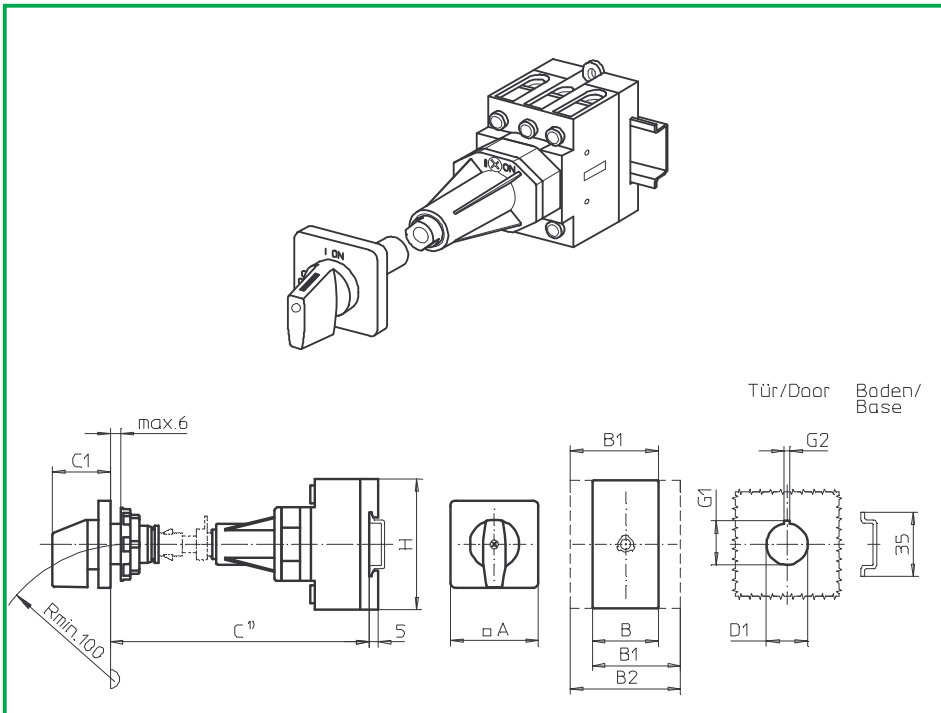
**Door clutch**

Metal shaft extension

**Single hole mounting**

ø 22,5 mm front

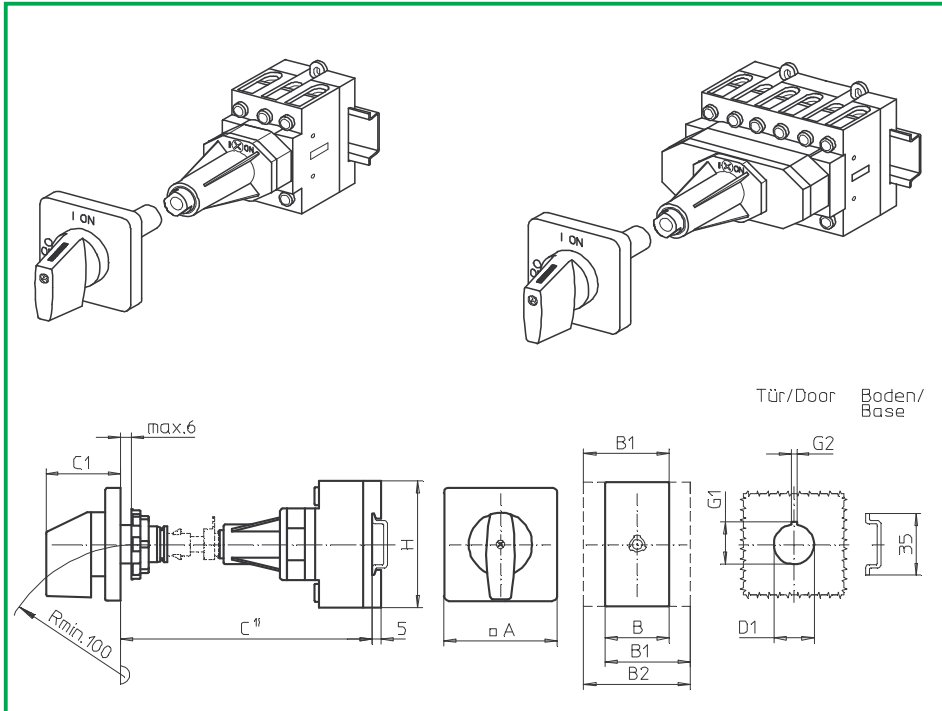
**282M1 (IP66)**



| Complete switch   | Poles    | Product lines | Rated data (IEC 60947)             |                                |            | Order code number  |           |           |          |
|---|----------|---------------|------------------------------------|--------------------------------|------------|--|-----------|-----------|----------|
|   |          |               | Operational current I <sub>e</sub> | Operational power at 380–440 V |            |  |           |           |          |
|   |          |               | AC-21A<br>A                        | AC-23A<br>kW                   | AC-3<br>kW |  |           |           |          |
| ON-OFF Switches<br>Switching angle 90°  | 3 ... 4  | B200-A        | 50<br>63                           | 18,5<br>22                     | 15<br>18,5 | <b>B250 - 41 ... - 282M1</b><br><b>B263 - 41 ... - 282M1</b> |           |           |          |
| <b>SMD modules for basic switch A02</b>   |          |               |                                    |                                |            |  |           |           |          |
| Mounting form module for 282M1  |          |               | B200-A                             |                                |            | <b>BFB2 - 280</b>  |           |           |          |
| M-operator module 48 x 48 mm, mounting form 282M1<br>Escutcheon black, handle black |          |               |                                    |                                |            | <b>2LM1</b>  |           |           |          |
| Legend plate silver, operator module 282M1  |          |               |                                    |                                |            | <b>FAS2 - 9...</b> (FA number)                               |           |           |          |
| <b>Dimensions (mm)</b>  |          |               |                                    |                                |            |  |           |           |          |
| <b>Product lines</b>  | <b>A</b> | <b>B</b>      | <b>B1</b>                          | <b>B2</b>                      | <b>C1</b>  | <b>D1</b>  | <b>G1</b> | <b>G2</b> | <b>H</b> |
| B200-A  | 48       | 50            | 69                                 | 88                             | 32         | 22,5   | 24,2      | 3,2       | 72       |
| Modular shaft extensions, see page B5-9.  |          |               |                                    |                                |            |  |           |           |          |

# Base Mounting Switches

**sälzer**



**Product lines  
B200-A/ -D/ -E**

**Base mounting switch**  
Operator module of next size

**Door clutch**  
Metal shaft extension

**Single hole mounting**  
ø 22,5 mm front

**284M1 (IP66)**

| Complete switch                            | Poles   | Product lines | Rated data (IEC 60947)             |                                |            | Order code number  |
|--|---------|---------------|------------------------------------|--------------------------------|------------|--|
|  |         |               | Operational current I <sub>e</sub> | Operational power at 380–440 V |            |  |
|  |         |               | AC-21A<br>A                        | AC-23A<br>kW                   | AC-3<br>kW |  |
| ON-OFF Switches<br>Switching angle 90°     | 3 ... 8 | B200-A/ -D    | 50<br>63                           | 18,5<br>22                     | 15<br>18,5 | <b>B250 - 41 ... - 284M1</b><br><b>B263 - 41 ... - 284M1</b> |
| Changeover with OFF<br>Switching angle 90° | 3 ... 4 | B200-E        | 50<br>63                           | 18,5<br>22                     | 15<br>18,5 | <b>B250 - 71 ... - 284M1</b><br><b>B263 - 71 ... - 284M1</b> |

### SMD modules for basic switch A02

Mounting form module for 284M1

B200-A/ -D  
B200-E

**BFB2 - 280**  
**BFC2 - 280**

M-operator module 64 x 64 mm, mounting form 284M1  
Escutcheon black, handle black

B200-A/ -D/ -E

**2NM1**

Legend plate silver, operator module 284M1

**FAS4 - 9...** (FA number)

### Dimensions (mm)

| Product lines | A  | B   | B1  | B2  | C1 | D1   | G1   | G2  | H  |
|---------------|----|-----|-----|-----|----|------|------|-----|----|
| B200-A        | 64 | 50  | 69  | 88  | 39 | 22,5 | 24,2 | 3,2 | 72 |
| B200-D        | 64 | 100 | 119 | 138 | 39 | 22,5 | 24,2 | 3,2 | 72 |
| B200-E        | 64 | 100 | 119 | 138 | 39 | 22,5 | 24,2 | 3,2 | 72 |

Modular shaft extensions, see page B5-9.

# Base Mounting Switches

# sälzer

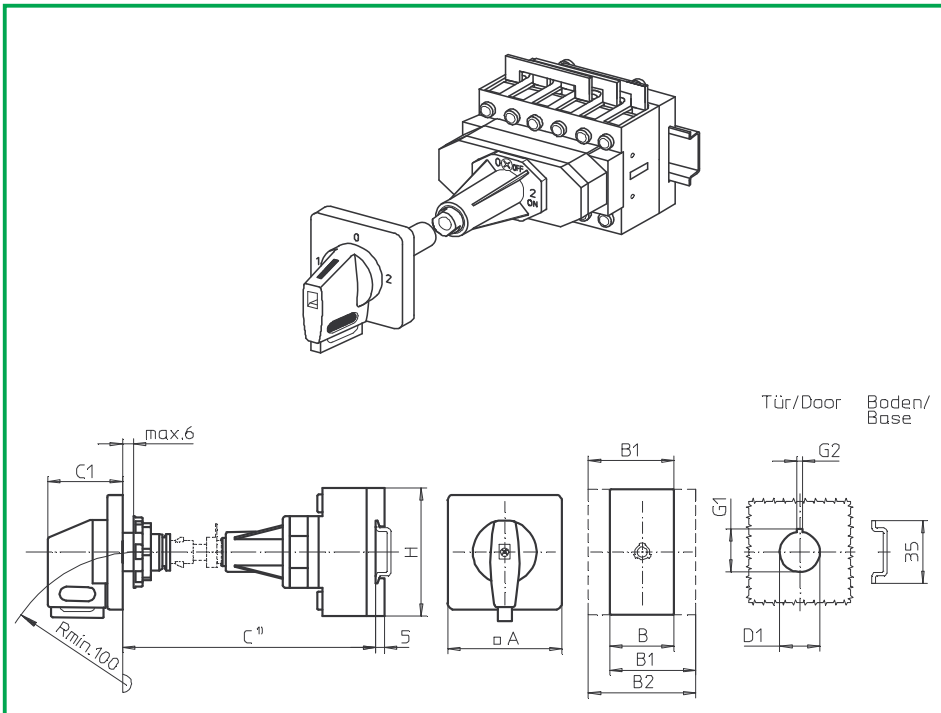
**Product line**  
**B200-E**

**Base mounting switch**  
Operator module of next size

**Door clutch**  
Metal shaft extension

**Single hole mounting**  
ø 22,5 mm front

**284V1 (IP66)**  
**290V1 (IP66)**



| Complete switch  | Poles   | Product lines | Rated data (IEC 60947)             |                                |            | Order code number  |
|--|---------|---------------|------------------------------------|--------------------------------|------------|--|
|  |         |               | Operational current I <sub>e</sub> | Operational power at 380–440 V |            |  |
|  |         |               | AC-21A<br>A                        | AC-23A<br>kW                   | AC-3<br>kW |  |
| Changeover with OFF<br>Switching angle 90°<br>OFF position padlockable 12h             | 3 ... 4 | B200-E        | 50<br>63                           | 18,5<br>22                     | 15<br>18,5 | <b>B250 - 71 ... - 284V1</b><br><b>B263 - 71 ... - 284V1</b> |
| Changeover with OFF<br>Switching angle 90°<br>3 positions padlockable<br>(09h/12h/03h) | 3 ... 4 | B200-E        | 50<br>63                           | 18,5<br>22                     | 15<br>18,5 | <b>B250 - 71 ... - 290V1</b><br><b>B263 - 71 ... - 290V1</b> |

### SMD modules for basic switch A02

Mounting form module for 284V1/ 290V1

V-operator module 64 x 64 mm, mounting form 284V1  
Escutcheon black, handle black

V-operator module 64 x 64 mm, mounting form 290V1  
Escutcheon black, handle black

Legend plate silver, operator modules 284V1/ 290V1

B200-E

**BFC2 - 280**  
**2NV1 - 12**

**2NV1 - 99**

**FAS4 - 9...** (FA number)

### Dimensions (mm)

| Product lines | A  | B   | B1  | B2  | C1 | D1   | G1   | G2  | H  |
|---------------|----|-----|-----|-----|----|------|------|-----|----|
| B200-E        | 64 | 100 | 119 | 138 | 39 | 22,5 | 24,2 | 3,2 | 72 |

Modular shaft extensions, see page B5-9.

# Base Mounting Switches

**sälzer**

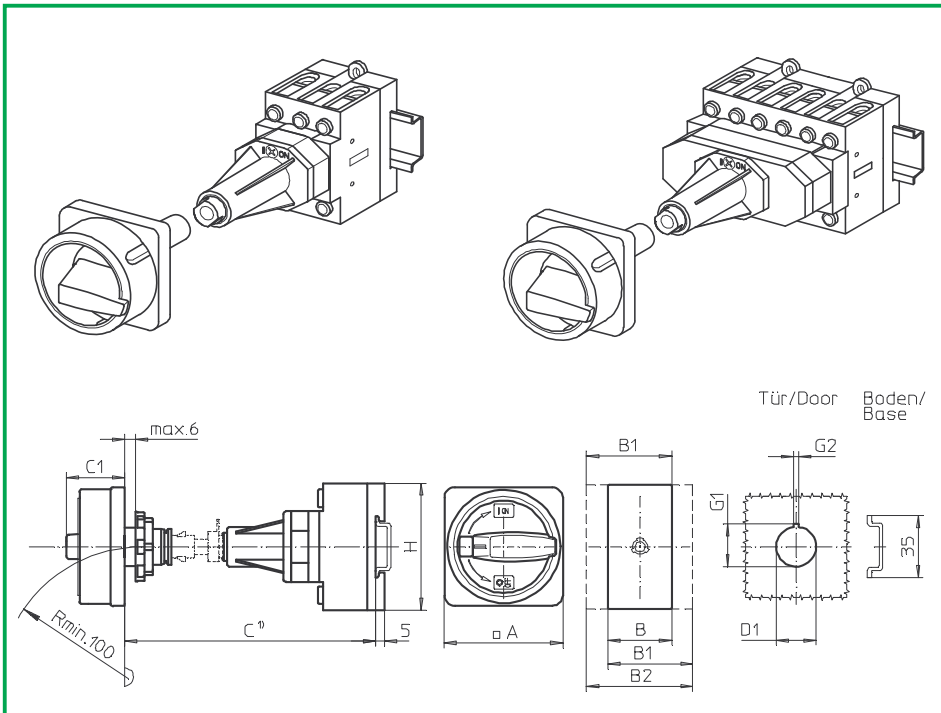
**Product lines  
B200-A/ -D**

**Base mounting switch**

**Door clutch**  
Metal shaft extension

**Single hole mounting**  
ø 22,5 mm front

**280M1 (IP66)**  
**280M4 (IP66)**



| Complete switch   | Poles   | Product lines | Rated data (IEC 60947)             |                                |            | Order code number  |
|---|---------|---------------|------------------------------------|--------------------------------|------------|--|
|   |         |               | Operational current I <sub>e</sub> | Operational power at 380–440 V |            |  |
|   |         |               | AC-21A<br>A                        | AC-23A<br>kW                   | AC-3<br>kW |  |
| Main Switches<br>OFF position padlockable 09h               | 3 ... 8 | B200-A/ -D    | 50<br>63                           | 18,5<br>22                     | 15<br>18,5 | <b>B250 - 41 ... - 280M1</b><br><b>B263 - 41 ... - 280M1</b> |
| Main/Emergency-Off Switches<br>OFF position padlockable 09h | 3 ... 8 | B200-A/ -D    | 50<br>63                           | 18,5<br>22                     | 15<br>18,5 | <b>B250 - 41 ... - 280M4</b><br><b>B263 - 41 ... - 280M4</b> |

## SMD modules for basic switch A02

Mounting form module for 280M.

B200-A/ -D

**BFB2 - 280**

M-padlock device 67 x 67 mm, mounting form 280M1  
Escutcheon black, padlockable handle black

**2GM1**

M-padlock device 67 x 67 mm, mounting form 280M4  
Escutcheon yellow, padlockable handle red

**2GM4**

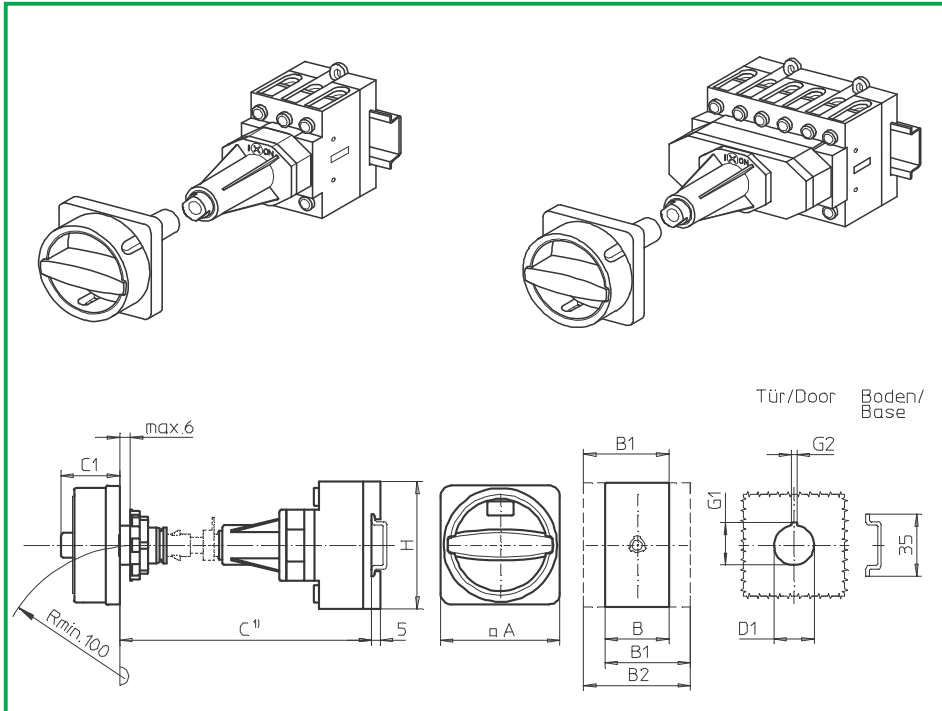
## Dimensions (mm)

| Product lines | A  | B   | B1  | B2  | C1 | D1   | G1   | G2  | H  |
|---------------|----|-----|-----|-----|----|------|------|-----|----|
| B200-A        | 67 | 50  | 69  | 88  | 38 | 22,5 | 24,2 | 3,2 | 72 |
| B200-D        | 67 | 100 | 119 | 138 | 38 | 22,5 | 24,2 | 3,2 | 72 |

Modular shaft extensions, see page B5-9.

# Base Mounting Switches

**sälzer**



**Product lines  
B200-A/ -D**

**Base mounting switch**

**Door clutch**

Metal shaft extension

**Single hole mounting**

ø 22,5 mm front

**280N1 (IP66)**

**280N4 (IP66)**

| Complete switch   | Poles   | Product lines | Rated data (IEC 60947)             |                                |            | Order code number  |
|---|---------|---------------|------------------------------------|--------------------------------|------------|--|
|   |         |               | Operational current I <sub>e</sub> | Operational power at 380–440 V |            |  |
|   |         |               | AC-21A<br>A                        | AC-23A<br>kW                   | AC-3<br>kW |  |
| Main Switches<br>OFF position padlockable 09h               | 3 ... 8 | B200-A/ -D    | 50<br>63                           | 18,5<br>22                     | 15<br>18,5 | <b>B250 - 41 ... - 280N1</b><br><b>B263 - 41 ... - 280N1</b> |
| Main/Emergency-Off Switches<br>OFF position padlockable 09h | 3 ... 8 | B200-A/ -D    | 50<br>63                           | 18,5<br>22                     | 15<br>18,5 | <b>B250 - 41 ... - 280N4</b><br><b>B263 - 41 ... - 280N4</b> |

## SMD modules for basic switch A02

Mounting form module for 280N.

B200-A/ -D

**BFB2 - 280**  
**2GN1**

N-padlock device 67 x 67 mm, mounting form 280N1  
Escutcheon black, padlockable handle black

**2GN4**

N-padlock device 67 x 67 mm, mounting form 280N4  
Escutcheon yellow, padlockable handle red

## Dimensions (mm)

| Product lines | A  | B   | B1  | B2  | C1 | D1   | G1   | G2  | H  |
|---------------|----|-----|-----|-----|----|------|------|-----|----|
| B200-A        | 67 | 50  | 69  | 88  | 33 | 22,5 | 24,2 | 3,2 | 72 |
| B200-D        | 67 | 100 | 119 | 138 | 33 | 22,5 | 24,2 | 3,2 | 72 |

Modular shaft extensions, see page B5-9.

# Base Mounting Switches

**sälzer**

**Product line  
B200-A**

**Base mounting switch**

**Door clutch**

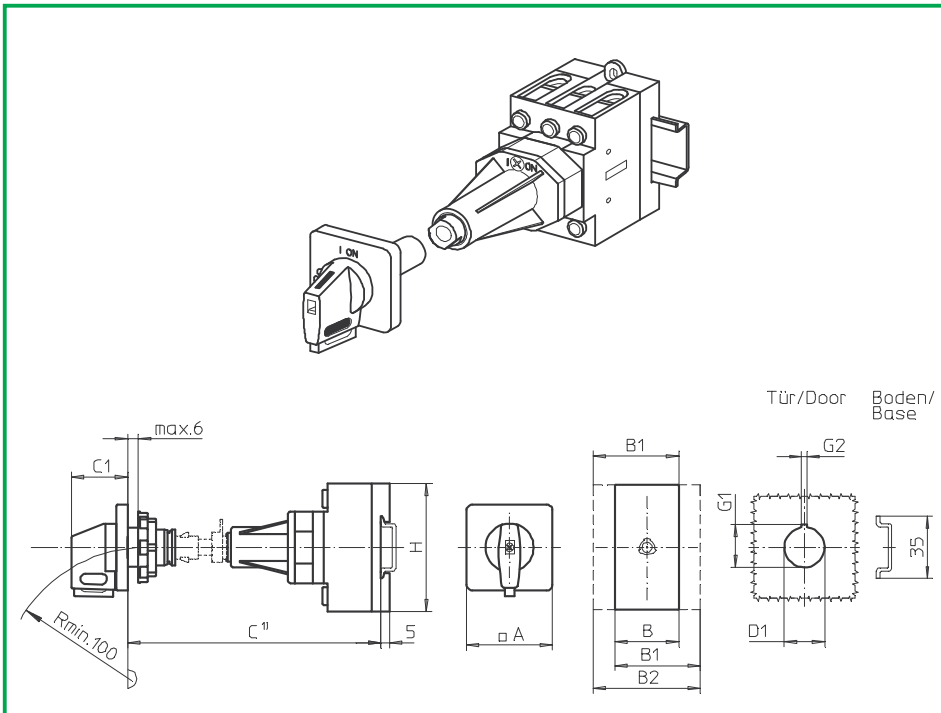
Metal shaft extension

**Single hole mounting**

ø 22,5 mm front

**280V1 (IP66)**

**280V4 (IP66)**



| Complete switch   | Poles   | Product lines | Rated data (IEC 60947)             |                                |            | Order code number  |
|---|---------|---------------|------------------------------------|--------------------------------|------------|--|
|   |         |               | Operational current I <sub>e</sub> | Operational power at 380–440 V |            |  |
|   |         |               | AC-21A<br>A                        | AC-23A<br>kW                   | AC-3<br>kW |  |
| Main Switches<br>OFF position padlockable 09h               | 3 ... 4 | B200-A        | 50<br>63                           | 18,5<br>22                     | 15<br>18,5 | <b>B250 - 41 ... - 280V1</b><br><b>B263 - 41 ... - 280V1</b> |
| Main/Emergency-Off Switches<br>OFF position padlockable 09h | 3 ... 4 | B200-A        | 50<br>63                           | 18,5<br>22                     | 15<br>18,5 | <b>B250 - 41 ... - 280V4</b><br><b>B263 - 41 ... - 280V4</b> |

## SMD modules for basic switch A02

Mounting form module for 280V.

B200-A

**BFB2 - 280**

V-operator module 48 x 48 mm, mounting form 280V1  
Escutcheon black, handle black

**2LV1 - 09**

Legend plate silver, operator module 280V1

**FAS2 - 9078**

V-operator module 48 x 48 mm, mounting form 280V4  
Escutcheon black, handle red

**2LV4 - 09**

Legend plate yellow, operator module 280V4

**FBS2 - 9078**

## Dimensions (mm)

| Product lines | A  | B  | B1 | B2 | C1 | D1   | G1   | G2  | H  |
|---------------|----|----|----|----|----|------|------|-----|----|
| B200-A        | 48 | 50 | 69 | 88 | 32 | 22,5 | 24,2 | 3,2 | 72 |

Modular shaft extensions, see page B5-9.

# Base Mounting Switches

**sälzer**

**Product line  
B200-A**

**Base mounting switch**

**Door clutch**

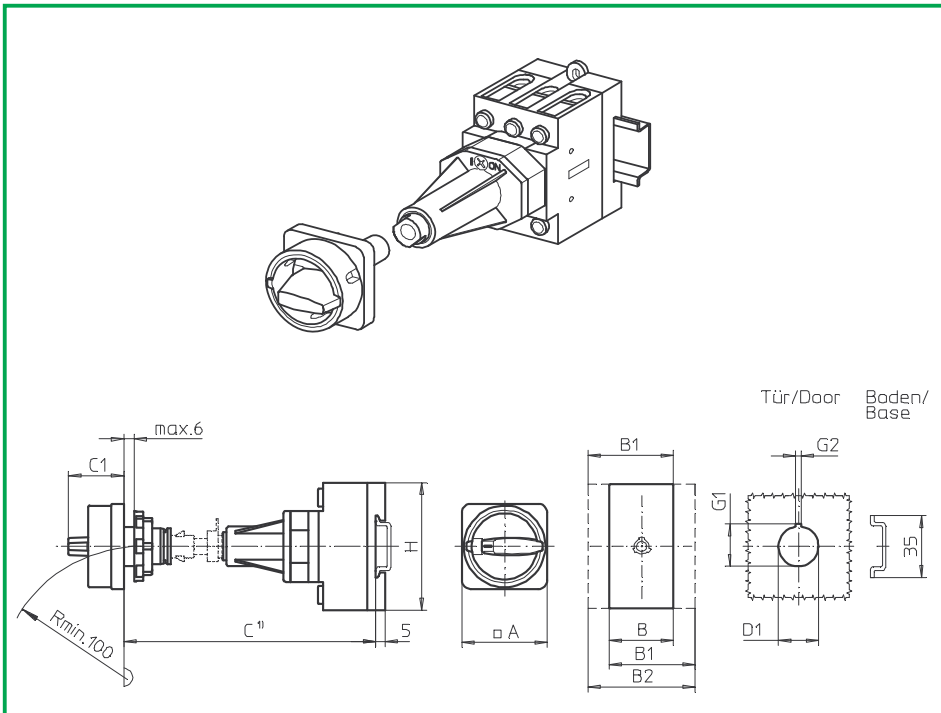
Metal shaft extension

**Single hole mounting**

∅ 22,5 mm front

**286M1 (IP66)**

**286M4 (IP66)**

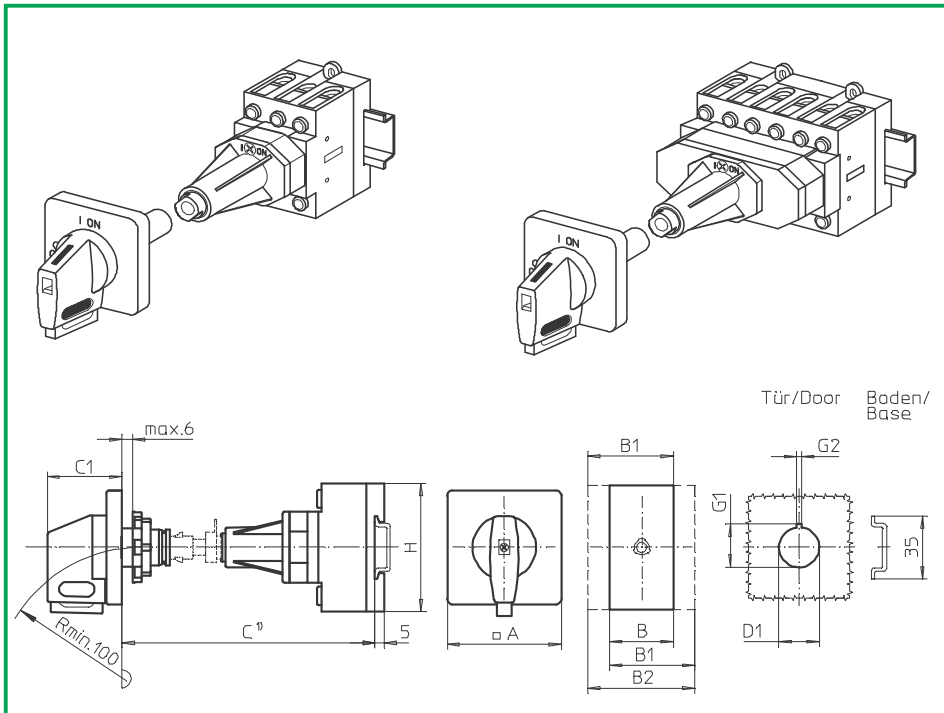


| Complete switch  | Poles    | Product lines | Rated data (IEC 60947)             |                                |            | Order code number  |           |           |          |  |
|--|----------|---------------|------------------------------------|--------------------------------|------------|--|-----------|-----------|----------|--|
|  |          |               | Operational current I <sub>e</sub> | Operational power at 380–440 V |            |  |           |           |          |  |
|  |          |               | AC-21A<br>A                        | AC-23A<br>kW                   | AC-3<br>kW |  |           |           |          |  |
| Main Switches<br>OFF position padlockable 09h  | 3 ... 4  | B200-A        | 50<br>63                           | 18,5<br>22                     | 15<br>18,5 | <b>B250 - 41 ... - 286M1</b><br><b>B263 - 41 ... - 286M1</b> |           |           |          |  |
| Main/Emergency-Off Switches<br>OFF position padlockable 09h                                    | 3 ... 4  | B200-A        | 50<br>63                           | 18,5<br>22                     | 15<br>18,5 | <b>B250 - 41 ... - 286M4</b><br><b>B263 - 41 ... - 286M4</b> |           |           |          |  |
| <b>SMD modules for basic switch A02</b>  |          |               |                                    |                                |            |  |           |           |          |  |
| Mounting form module for 286M.   |          |               | B200-A                             |                                | BFB2 - 280 |  |           |           |          |  |
| M-padlock device 48 x 48 mm, mounting form 286M1<br>Escutcheon black, padlockable handle black |          |               |                                    |                                | 2MM1       |  |           |           |          |  |
| M-padlock device 48 x 48 mm, mounting form 286M4<br>Escutcheon yellow, padlockable handle red  |          |               |                                    |                                | 2MM4       |  |           |           |          |  |
| <b>Dimensions (mm)</b>   |          |               |                                    |                                |            |  |           |           |          |  |
| <b>Product lines</b>   | <b>A</b> | <b>B</b>      | <b>B1</b>                          | <b>B2</b>                      | <b>C1</b>  | <b>D1</b>  | <b>G1</b> | <b>G2</b> | <b>H</b> |  |
| B200-A   | 48       | 50            | 69                                 | 88                             | 31         | 22,5   | 24,2      | 3,2       | 72       |  |
| Modular shaft extensions, see page B5-9.   |          |               |                                    |                                |            |  |           |           |          |  |



# Base Mounting Switches

**sälzer**



**Product lines**  
**B200-A/ -D**

**Base mounting switch**  
Operator module of next size

**Door clutch**  
Metal shaft extension

**Single hole mounting**  
ø 22,5 mm front

**288V1 (IP66)**  
**288V4 (IP66)**

| Complete switch   | Poles   | Product lines | Rated data (IEC 60947)             |                                |            | Order code number  |
|---|---------|---------------|------------------------------------|--------------------------------|------------|--|
|   |         |               | Operational current I <sub>e</sub> | Operational power at 380–440 V |            |  |
|   |         |               | AC-21A<br>A                        | AC-23A<br>kW                   | AC-3<br>kW |  |
| Main Switches<br>OFF position padlockable 09h               | 3 ... 8 | B200-A/ -D    | 50<br>63                           | 18,5<br>22                     | 15<br>18,5 | <b>B250 - 41 ... - 288V1</b><br><b>B263 - 41 ... - 288V1</b> |
| Main/Emergency-Off Switches<br>OFF position padlockable 09h | 3 ... 8 | B200-A/ -D    | 50<br>63                           | 18,5<br>22                     | 15<br>18,5 | <b>B250 - 41 ... - 288V4</b><br><b>B263 - 41 ... - 288V4</b> |

## SMD modules for basic switch A02

Mounting form module for 288V.

B200-A/ -D

**BFB2 - 280**

V-operator module 64 x 64 mm, mounting form 288V1  
Escutcheon black, handle black

**2NV1 - 09**

Legend plate silver, operator module 288V1

**FAS4 - 9078**

V-operator module 64 x 64 mm, mounting form 288V4  
Escutcheon black, handle red

**2NV4 - 09**

Legend plate yellow, operator module 288V4

**FBS4 - 9078**

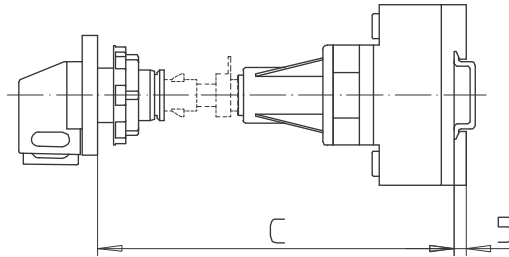
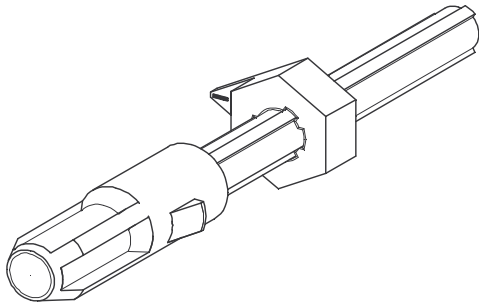
## Dimensions (mm)

| Product lines | A  | B   | B1  | B2  | C1 | D1   | G1   | G2  | H  |
|---------------|----|-----|-----|-----|----|------|------|-----|----|
| B200-A        | 64 | 50  | 69  | 88  | 39 | 22,5 | 24,2 | 3,2 | 72 |
| B200-D        | 64 | 100 | 119 | 138 | 39 | 22,5 | 24,2 | 3,2 | 72 |

Modular shaft extensions, see page B5-9.

# Metal shaft extension

**sälzer**



**Product lines**  
B200-A/ -D/ -E

**Base mounting**  
switch

**Door clutch**  
Metal shaft extension

**Single hole mounting**  
ø 22,5 mm front

**AVA8 - . . .**

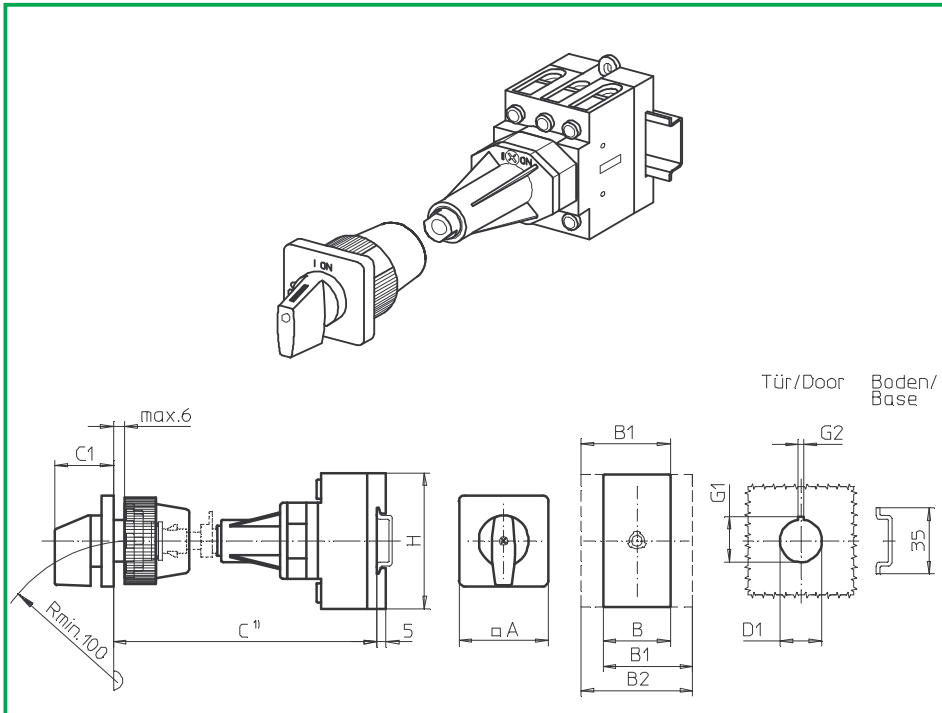
**Modular shaft extensions for use with door clutch and single hole mounting ø 22,5 mm front**

Dimension C (internal depth, outside of door to top of DIN rail)

| B200-A         | B200-D/ -E     | Order code number |
|----------------|----------------|-------------------|
| 155 ... 173 mm | 167 ... 185 mm | AVA8 - 065        |
| 174 ... 198 mm | 186 ... 210 mm | AVA8 - 090        |
| 199 ... 223 mm | 211 ... 235 mm | AVA8 - 115        |
| 224 ... 248 mm | 236 ... 260 mm | AVA8 - 140        |
| 249 ... 273 mm | 261 ... 285 mm | AVA8 - 165        |
| 274 ... 298 mm | 286 ... 310 mm | AVA8 - 190        |
| 299 ... 323 mm | 311 ... 335 mm | AVA8 - 215        |
| 324 ... 348 mm | 336 ... 360 mm | AVA8 - 240        |
| 349 ... 373 mm | 361 ... 385 mm | AVA8 - 265        |
| 374 ... 398 mm | 386 ... 419 mm | AVA8 - 290        |
| 399 ... 423 mm | 411 ... 435 mm | AVA8 - 315        |
| 424 ... 448 mm | 436 ... 460 mm | AVA8 - 340        |
| 449 ... 473 mm | 461 ... 485 mm | AVA8 - 365        |
| 474 ... 498 mm | 486 ... 510 mm | AVA8 - 390        |
| 499 ... 523 mm | 511 ... 535 mm | AVA8 - 415        |
| 524 ... 548 mm | 536 ... 560 mm | AVA8 - 440        |
| 549 ... 573 mm | 561 ... 585 mm | AVA8 - 465        |
| 574 ... 598 mm | 586 ... 610 mm | AVA8 - 490        |
| 599 ... 623 mm | 611 ... 635 mm | AVA8 - 515        |
| 624 ... 643 mm | 636 ... 660 mm | AVA8 - 540        |

# Base Mounting Switches

**sälzer**



**Product line  
B200-A**

**Base mounting switch**

**Door interlock**  
Metal shaft extension

**Single hole mounting**  
ø 22,5 mm front

**283M1 (IP66)**

| Complete switch                        | Poles   | Product lines | Rated data (IEC 60947)             |                                |            | Order code number  |
|--|---------|---------------|------------------------------------|--------------------------------|------------|--|
|  |         |               | Operational current I <sub>e</sub> | Operational power at 380–440 V |            |  |
|  |         |               | AC-21A<br>A                        | AC-23A<br>kW                   | AC-3<br>kW |  |
| ON-OFF Switches<br>Switching angle 90° | 3 ... 4 | B200-A        | 50<br>63                           | 18,5<br>22                     | 15<br>18,5 | <b>B250 - 41 ... - 283M1</b><br><b>B263 - 41 ... - 283M1</b> |

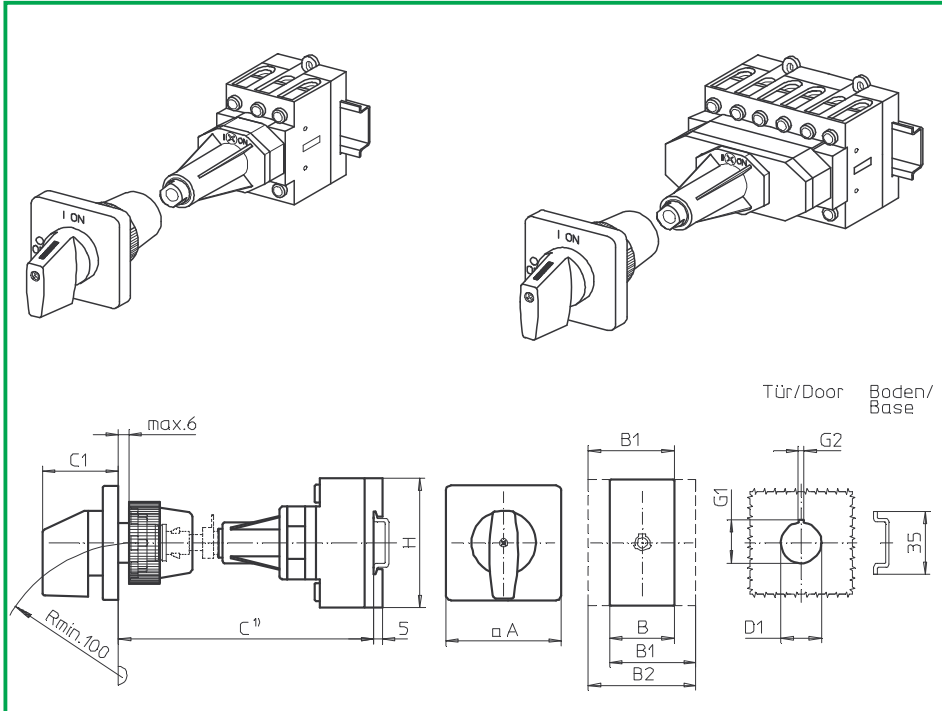
| SMD modules for basic switch A02                  |  |  |  |        |  |                                |
|---|--|--|--|--------|--|--------------------------------|
| Mounting form module for 283M1                    |  |  |  | B200-A |  | <b>BFB2 - 281</b>              |
| M-operator module 48 x 48 mm, mounting form 283M1 |  |  |  |        |  | <b>2LM1</b>                    |
| Escutcheon black, handle black                    |  |  |  |        |  |                                |
| Legend plate silver, operator module 283M1        |  |  |  |        |  | <b>FAS2 - 9...</b> (FA number) |

| Dimensions (mm) |    |    |    |    |    |      |      |     |    |
|-----------------|----|----|----|----|----|------|------|-----|----|
| Product lines   | A  | B  | B1 | B2 | C1 | D1   | G1   | G2  | H  |
| B200-A          | 48 | 50 | 69 | 88 | 32 | 22,5 | 24,2 | 3,2 | 72 |

C<sup>1)</sup> Internal depth, outside of door to top of DIN rail. Metal shaft is not included. Please order separately. See page B6-9.

# Base Mounting Switches

**sälzer**



**Product lines**  
**B200-A/ -D/ -E**

**Base mounting switch**  
Operator module of next size

**Door interlock**  
Metal shaft extension

**Single hole mounting**  
ø 22,5 mm front

**285M1 (IP66)**

| Complete switch                            | Poles   | Product lines | Rated data (IEC 60947)             |                                |            | Order code number  |
|--|---------|---------------|------------------------------------|--------------------------------|------------|--|
|  |         |               | Operational current I <sub>e</sub> | Operational power at 380–440 V |            |  |
|  |         |               | AC-21A<br>A                        | AC-23A<br>kW                   | AC-3<br>kW |  |
| ON-OFF Switches<br>Switching angle 90°     | 3 ... 8 | B200-A/ -D    | 50<br>63                           | 18,5<br>22                     | 15<br>18,5 | <b>B250 - 41 ... - 285M1</b><br><b>B263 - 41 ... - 285M1</b> |
| Changeover with OFF<br>Switching angle 90° | 3 ... 4 | B200-E        | 50<br>63                           | 18,5<br>22                     | 15<br>18,5 | <b>B250 - 71 ... - 285M1</b><br><b>B263 - 71 ... - 285M1</b> |

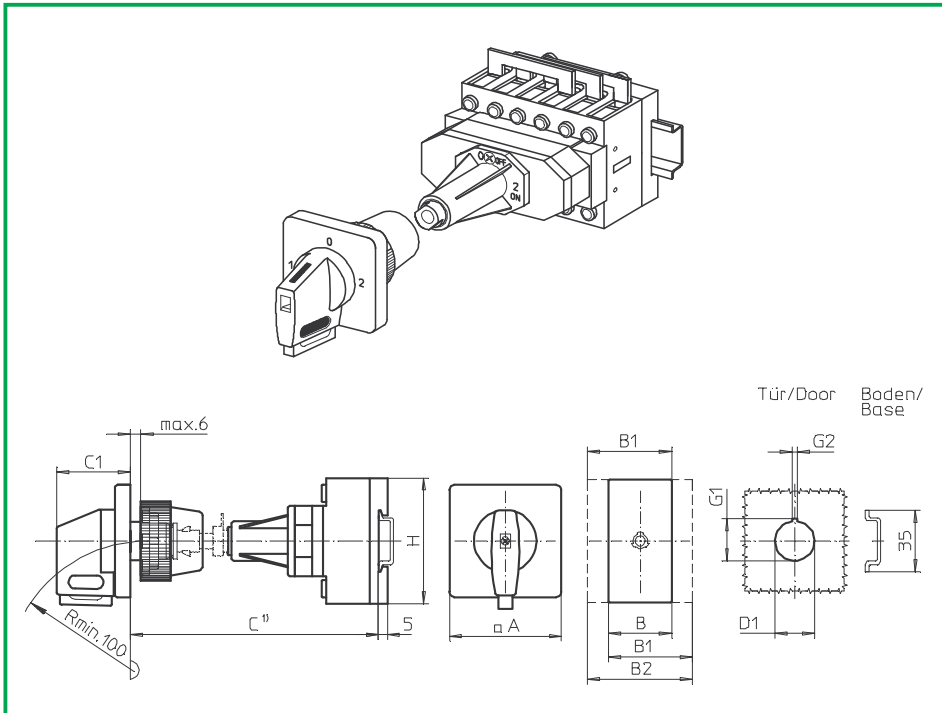
| SMD modules for basic switch A02  |  |                      |   |
|---|--|----------------------|---|
| Mounting form module for 285M1  |  | B200-A/ -D<br>B200-E | <b>BFB2 - 281</b><br><b>BFC2 - 281</b>        |
| M-operator module 64 x 64 mm, mounting form 285M1<br>Escutcheon black, handle black<br>Legend plate silver, operator module 285M1 |  | B200-A/ -D/ -E       | <b>2NM1</b><br><b>FAS4 - 9...</b> (FA number) |

| Dimensions (mm) |    |     |     |     |    |      |      |     |    |
|-----------------|----|-----|-----|-----|----|------|------|-----|----|
| Product lines   | A  | B   | B1  | B2  | C1 | D1   | G1   | G2  | H  |
| B200-A          | 64 | 50  | 69  | 88  | 39 | 22,5 | 24,2 | 3,2 | 72 |
| B200-D          | 64 | 100 | 119 | 138 | 39 | 22,5 | 24,2 | 3,2 | 72 |
| B200-E          | 64 | 100 | 119 | 138 | 39 | 22,5 | 24,2 | 3,2 | 72 |

C<sup>1)</sup> Internal depth, outside of door to top of DIN rail. Metal shaft is not included. Please order separately. See page B6-9.

# Base Mounting Switches

# sälzer



**Product line**  
**B200-E**

**Base mounting switch**  
Operator module of next size

**Door interlock**  
Metal shaft extension

**Single hole mounting**  
ø 22,5 mm front

**285V1 (IP66)**  
**291V1 (IP66)**

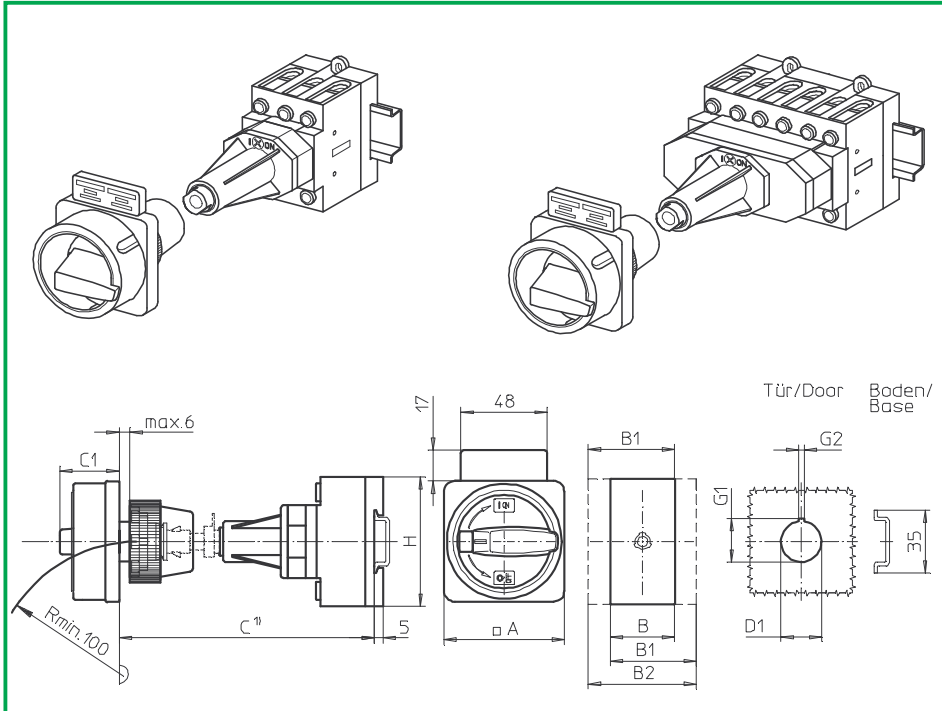
| Complete switch  | Poles   | Product lines | Rated data (IEC 60947)             |                                |            | Order code number  |
|--|---------|---------------|------------------------------------|--------------------------------|------------|--|
|  |         |               | Operational current I <sub>e</sub> | Operational power at 380–440 V |            |  |
|  |         |               | AC-21A<br>A                        | AC-23A<br>kW                   | AC-3<br>kW |  |
| Changeover with OFF<br>Switching angle 90°<br>OFF position padlockable 12h             | 3 ... 4 | B200-E        | 50<br>63                           | 18,5<br>22                     | 15<br>18,5 | <b>B250 - 71 ... - 285V1</b><br><b>B263 - 71 ... - 285V1</b> |
| Changeover with OFF<br>Switching angle 90°<br>3 positions padlockable<br>(09h/12h/03h) | 3 ... 4 | B200-E        | 50<br>63                           | 18,5<br>22                     | 15<br>18,5 | <b>B250 - 71 ... - 291V1</b><br><b>B263 - 71 ... - 291V1</b> |

| SMD modules for basic switch A02  |  |  |  |        |  |                                |
|---|--|--|--|--------|--|--------------------------------|
| Mounting form module for 285V1/ 291V1   |  |  |  | B200-E |  | <b>BFC2 - 281</b>              |
| V-operator module 64 x 64 mm, mounting form 285V1<br>Escutcheon black, handle black |  |  |  |        |  | <b>2NV1 - 12</b>               |
| V-operator module 64 x 64 mm, mounting form 291V1<br>Escutcheon black, handle black |  |  |  |        |  | <b>2NV1 - 99</b>               |
| Legend plate silver, operator modules 285V1/ 291V1                                  |  |  |  |        |  | <b>FAS4 - 9...</b> (FA number) |

| Dimensions (mm) |    |     |     |     |    |      |      |     |    |
|-----------------|----|-----|-----|-----|----|------|------|-----|----|
| Product lines   | A  | B   | B1  | B2  | C1 | D1   | G1   | G2  | H  |
| B200-E          | 64 | 100 | 119 | 138 | 39 | 22,5 | 24,2 | 3,2 | 72 |

C<sup>1)</sup> Internal depth, outside of door to top of DIN rail. Metal shaft is not included. Please order separately. See page B6-9.

# Base Mounting Switches



**Product lines**  
**B200-A/ -D**

**Base mounting switch**

**Door interlock**  
Metal shaft extension

**Single hole mounting**  
ø 22,5 mm front

**281M1 (IP66)**  
**281M4 (IP66)**

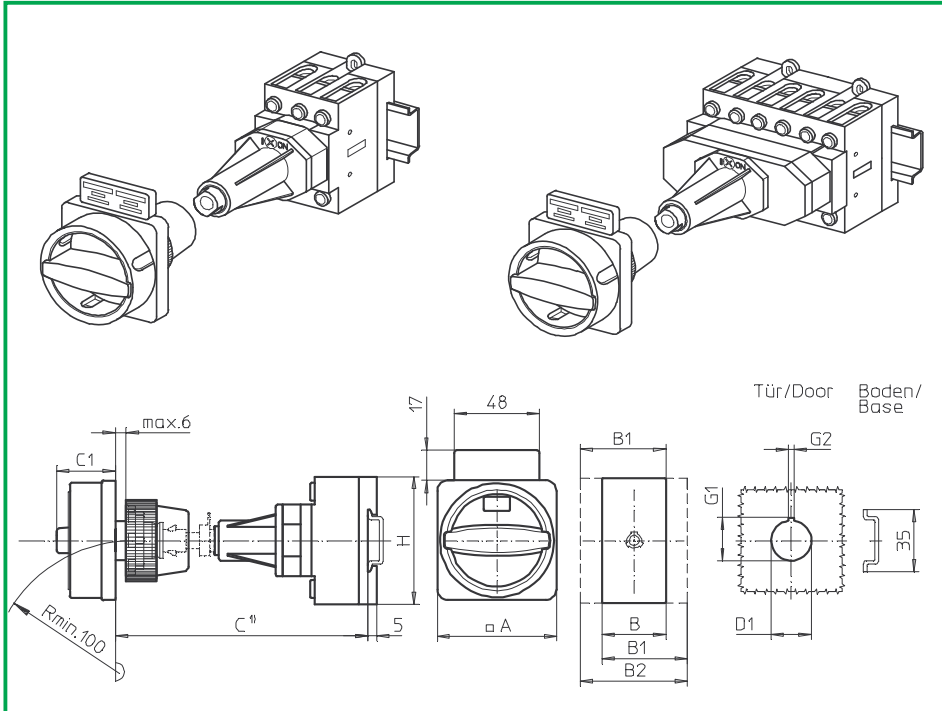
| Complete switch   | Poles   | Product lines | Rated data (IEC 60947)             |                                |            | Order code number  |
|---|---------|---------------|------------------------------------|--------------------------------|------------|--|
|   |         |               | Operational current I <sub>e</sub> | Operational power at 380–440 V |            |  |
|   |         |               | AC-21A<br>A                        | AC-23A<br>kW                   | AC-3<br>kW |  |
| Main Switches<br>OFF position padlockable 09h               | 3 ... 8 | B200-A/ -D    | 50<br>63                           | 18,5<br>22                     | 15<br>18,5 | <b>B250 - 41 ... - 281M1</b><br><b>B263 - 41 ... - 281M1</b> |
| Main/Emergency-Off Switches<br>OFF position padlockable 09h | 3 ... 8 | B200-A/ -D    | 50<br>63                           | 18,5<br>22                     | 15<br>18,5 | <b>B250 - 41 ... - 281M4</b><br><b>B263 - 41 ... - 281M4</b> |

| SMD modules for basic switch A02   |  |            |                    |
|--|--|------------|--------------------|
| Mounting form module for 281M.   |  | B200-A/ -D | <b>BFB2 - 281</b>  |
| M-padlock device 67 x 67 mm, mounting form 281M1<br>Escutcheon black, padlockable handle black |  |            | <b>2GM1</b>        |
| M-padlock device 67 x 67 mm, mounting form 281M4<br>Escutcheon yellow, padlockable handle red  |  |            | <b>2GM4</b>        |
| Additional top escutcheon plate  |  |            | <b>FAZ2 - 8041</b> |

| Dimensions (mm) |    |     |     |     |    |      |      |     |    |
|-----------------|----|-----|-----|-----|----|------|------|-----|----|
| Product lines   | A  | B   | B1  | B2  | C1 | D1   | G1   | G2  | H  |
| B200-A          | 67 | 50  | 69  | 88  | 38 | 22,5 | 24,2 | 3,2 | 72 |
| B200-D          | 67 | 100 | 119 | 138 | 38 | 22,5 | 24,2 | 3,2 | 72 |

C<sup>1)</sup> Internal depth, outside of door to top of DIN rail. Metal shaft is not included. Please order separately. See page B6-9.

# Base Mounting Switches



**Product lines**  
**B200-A/ -D**

**Base mounting switch**

**Door interlock**  
Metal shaft extension

**Single hole mounting**  
ø 22,5 mm front

**281N1 (IP66)**  
**281N4 (IP66)**

| Complete switch   | Poles   | Product lines | Rated data (IEC 60947)             |                                |            | Order code number  |
|---|---------|---------------|------------------------------------|--------------------------------|------------|--|
|   |         |               | Operational current I <sub>e</sub> | Operational power at 380–440 V |            |  |
|   |         |               | AC-21A<br>A                        | AC-23A<br>kW                   | AC-3<br>kW |  |
| Main Switches<br>OFF position padlockable 09h               | 3 ... 8 | B200-A/ -D    | 50<br>63                           | 18,5<br>22                     | 15<br>18,5 | <b>B250 - 41 ... - 281N1</b><br><b>B263 - 41 ... - 281N1</b> |
| Main/Emergency-Off Switches<br>OFF position padlockable 09h | 3 ... 8 | B200-A/ -D    | 50<br>63                           | 18,5<br>22                     | 15<br>18,5 | <b>B250 - 41 ... - 281N4</b><br><b>B263 - 41 ... - 281N4</b> |

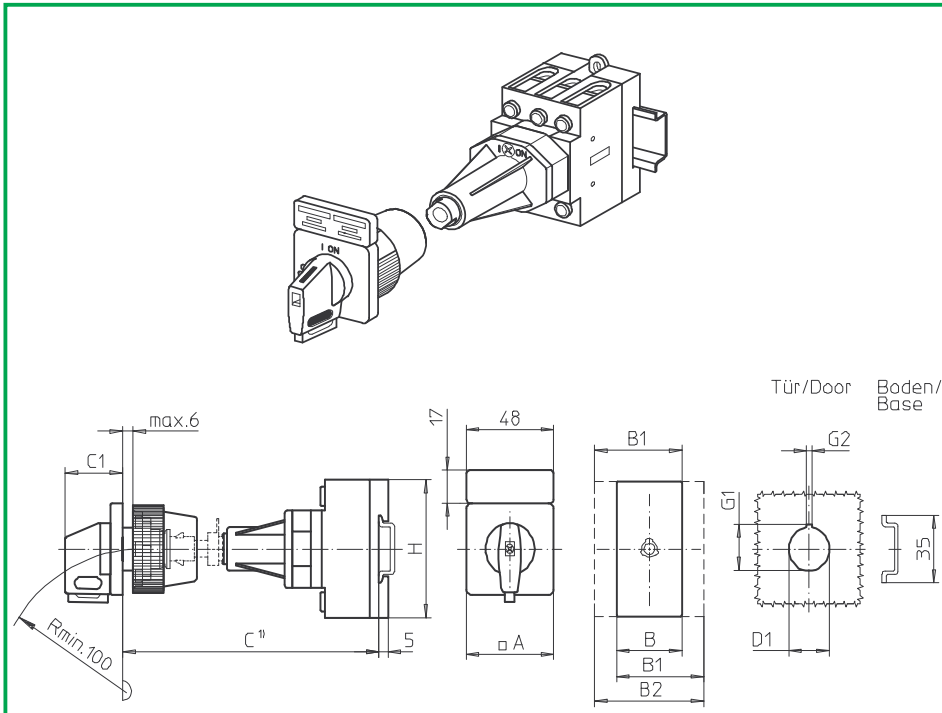
| SMD modules for basic switch A02   |  |            |                    |
|--|--|------------|--------------------|
| Mounting form module for 281N.   |  | B200-A/ -D | <b>BFB2 - 281</b>  |
| N-padlock device 67 x 67 mm, mounting form 281N1<br>Escutcheon black, padlockable handle black |  |            | <b>2GN1</b>        |
| N-padlock device 67 x 67 mm, mounting form 281N4<br>Escutcheon yellow, padlockable handle red  |  |            | <b>2GN4</b>        |
| Additional top escutcheon plate  |  |            | <b>FAZ2 - 8041</b> |

| Dimensions (mm) |    |     |     |     |    |      |      |     |    |
|-----------------|----|-----|-----|-----|----|------|------|-----|----|
| Product lines   | A  | B   | B1  | B2  | C1 | D1   | G1   | G2  | H  |
| B200-A          | 67 | 50  | 69  | 88  | 33 | 22,5 | 24,2 | 3,2 | 72 |
| B200-D          | 67 | 100 | 119 | 138 | 33 | 22,5 | 24,2 | 3,2 | 72 |

C<sup>1)</sup> Internal depth, outside of door to top of DIN rail. Metal shaft is not included. Please order separately. See page B6-9.

# Base Mounting Switches

**sälzer**



**Product line  
B200-A**

**Base mounting switch**

**Door interlock**

Metal shaft extension

**Single hole mounting**

ø 22,5 mm front

**281V1 (IP66)**

**281V4 (IP66)**

| Complete switch   | Poles   | Product lines | Rated data (IEC 60947)             |                                |            | Order code number  |
|---|---------|---------------|------------------------------------|--------------------------------|------------|--|
|   |         |               | Operational current I <sub>e</sub> | Operational power at 380–440 V |            |  |
|   |         |               | AC-21A<br>A                        | AC-23A<br>kW                   | AC-3<br>kW |  |
| Main Switches<br>OFF position padlockable 09h               | 3 ... 4 | B200-A        | 50<br>63                           | 18,5<br>22                     | 15<br>18,5 | <b>B250 - 41 ... - 281V1</b><br><b>B263 - 41 ... - 281V1</b> |
| Main/Emergency-Off Switches<br>OFF position padlockable 09h | 3 ... 4 | B200-A        | 50<br>63                           | 18,5<br>22                     | 15<br>18,5 | <b>B250 - 41 ... - 281V4</b><br><b>B263 - 41 ... - 281V4</b> |

| SMD modules for basic switch A02   |  |        |  |
|--|--|--------|--|
| Mounting form module for 281V.   |  | B200-A | <b>BFB2 - 281</b>  |
| V-operator module 48 x 48 mm, mounting form 281V1<br>Escutcheon black, handle black<br>Legend plate silver, operator module 281V1                                  |  |        | <b>2LV1 - 09</b><br><b>FAS2 - 9078</b>                       |
| V-operator module 48 x 48 mm, mounting form 281V4<br>Escutcheon black, handle red<br>Legend plate yellow, operator module 281V4<br>Additional top escutcheon plate |  |        | <b>2LV4 - 09</b><br><b>FBS2 - 9078</b><br><b>FAZ2 - 8041</b> |

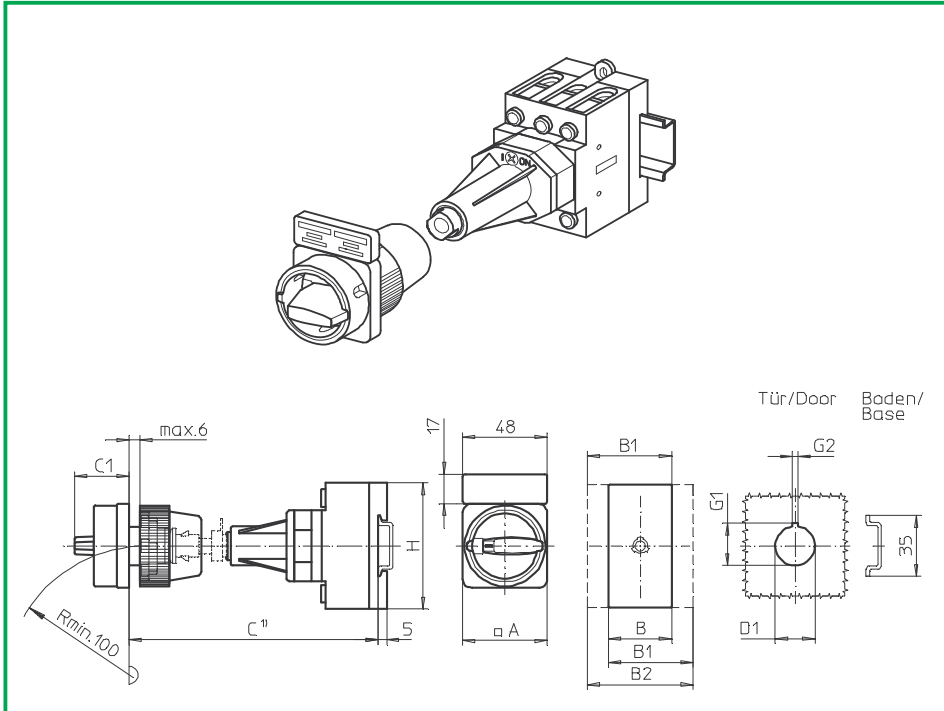
| Dimensions (mm) |    |    |    |    |    |      |      |     |    |
|-----------------|----|----|----|----|----|------|------|-----|----|
| Product lines   | A  | B  | B1 | B2 | C1 | D1   | G1   | G2  | H  |
| B200-A          | 48 | 50 | 69 | 88 | 32 | 22,5 | 24,2 | 3,2 | 72 |

C<sup>1)</sup> Internal depth, outside of door to top of DIN rail. Metal shaft is not included. Please order separately. See page B6-9.



# Base Mounting Switches

# sälzer



**Product lines  
B200-A**

**Base mounting switch**

**Door interlock**

Metal shaft extension

**Single hole mounting**

ø 22,5 mm front

**287M1 (IP66)**

**287M4 (IP66)**

| Complete switch   | Poles   | Product lines | Rated data (IEC 60947)             |                                |            | Order code number  |
|---|---------|---------------|------------------------------------|--------------------------------|------------|--|
|   |         |               | Operational current I <sub>e</sub> | Operational power at 380–440 V |            |  |
|   |         |               | AC-21A<br>A                        | AC-23A<br>kW                   | AC-3<br>kW |  |
| Main Switches<br>OFF position padlockable 09h               | 3 ... 4 | B200-A        | 50<br>63                           | 18,5<br>22                     | 15<br>18,5 | <b>B250 - 41 ... - 287M1</b><br><b>B263 - 41 ... - 287M1</b> |
| Main/Emergency-Off Switches<br>OFF position padlockable 09h | 3 ... 4 | B200-A        | 50<br>63                           | 18,5<br>22                     | 15<br>18,5 | <b>B250 - 41 ... - 287M4</b><br><b>B263 - 41 ... - 287M4</b> |

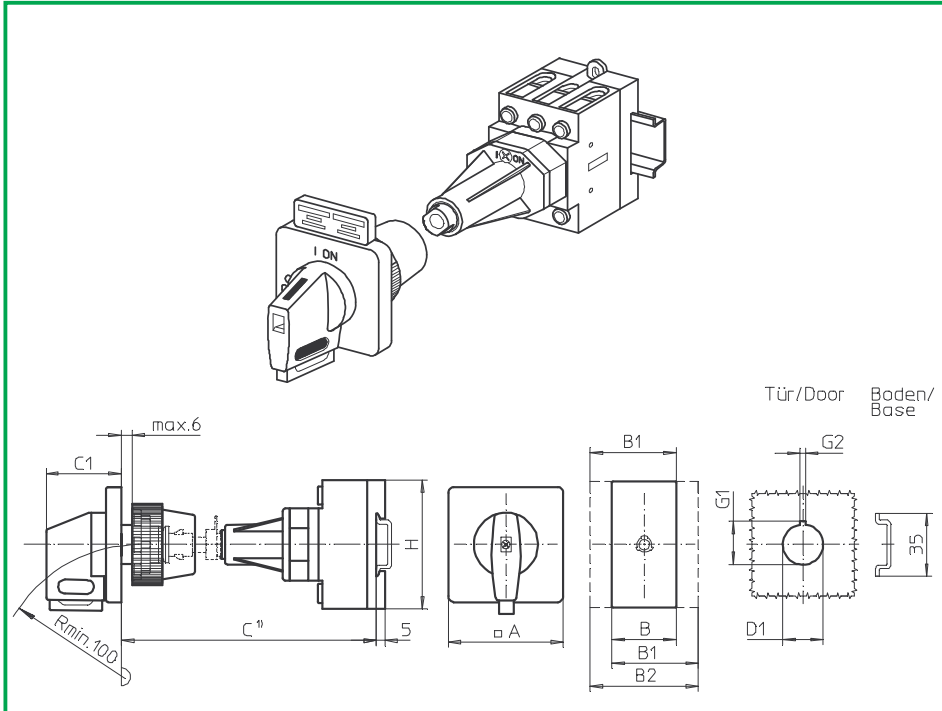
| SMD modules for basic switch A02   |  |        |                    |
|--|--|--------|--------------------|
| Mounting form module for 287M.   |  | B200-A | <b>BFB2 - 281</b>  |
| M-padlock device 48 x 48 mm, mounting form 287M1<br>Escutcheon black, padlockable handle black |  |        | <b>2MM1</b>        |
| M-padlock device 48 x 48 mm, mounting form 287M4<br>Escutcheon yellow, padlockable handle red  |  |        | <b>2MM4</b>        |
| Additional top escutcheon plate  |  |        | <b>FAZZ - 8041</b> |

| Dimensions (mm) |    |    |    |    |    |      |      |     |    |
|-----------------|----|----|----|----|----|------|------|-----|----|
| Product lines   | A  | B  | B1 | B2 | C1 | D1   | G1   | G2  | H  |
| B200-A          | 48 | 50 | 69 | 88 | 31 | 22,5 | 24,2 | 3,2 | 72 |

C<sup>1)</sup> Internal depth, outside of door to top of DIN rail. Metal shaft is not included. Please order separately. See page B6-9.

# Base Mounting Switches

# sälzer



**Product lines**  
**B200-A/ -D**

**Base mounting switch**  
Operator module of next size

**Door interlock**  
Metal shaft extension

**Single hole mounting**  
ø 22,5 mm front

**289V1 (IP66)**  
**289V4 (IP66)**

| Complete switch   | Poles   | Product lines | Rated data (IEC 60947)             |                                |            | Order code number  |
|---|---------|---------------|------------------------------------|--------------------------------|------------|--|
|   |         |               | Operational current I <sub>e</sub> | Operational power at 380–440 V |            |  |
|   |         |               | AC-21A<br>A                        | AC-23A<br>kW                   | AC-3<br>kW |  |
| Main Switches<br>OFF position padlockable 09h               | 3 ... 8 | B200-A/ -D    | 50<br>63                           | 18,5<br>22                     | 15<br>18,5 | <b>B250 - 41 ... - 289V1</b><br><b>B263 - 41 ... - 289V1</b> |
| Main/Emergency-Off Switches<br>OFF position padlockable 09h | 3 ... 8 | B200-A/ -D    | 50<br>63                           | 18,5<br>22                     | 15<br>18,5 | <b>B250 - 41 ... - 289V4</b><br><b>B263 - 41 ... - 289V4</b> |

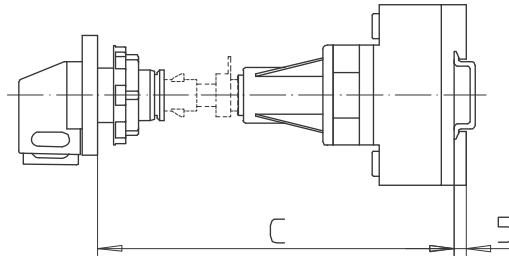
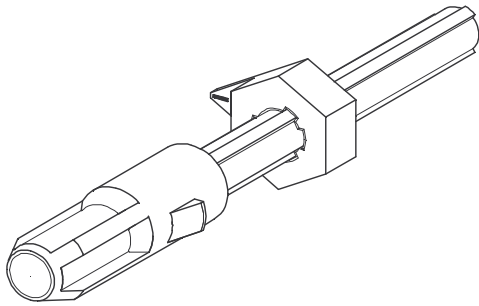
| SMD modules for basic switch A02  |  | Product lines | Order code number                        |
|---|--|---------------|--|
| Mounting form module for 289V.  |  |               |  |
| V-operator module 64 x 64 mm, mounting form 289V1<br>Escutcheon black, handle black |  |               | <b>2NV1 - 09</b>                         |
| Legend plate silver, operator module 289V1  |  |               | <b>FAS4 - 9078</b>                       |
| V-operator module 64 x 64 mm, mounting form 289V4<br>Escutcheon black, handle red   |  |               | <b>2NV4 - 09</b>                         |
| Legend plate yellow, operator module 289V4<br>Additional top escutcheon plate       |  |               | <b>FBS4 - 9078</b><br><b>FAZ2 - 8041</b> |

| Dimensions (mm) |    |     |     |     |    |      |      |     |    |
|-----------------|----|-----|-----|-----|----|------|------|-----|----|
| Product lines   | A  | B   | B1  | B2  | C1 | D1   | G1   | G2  | H  |
| B200-A          | 64 | 50  | 69  | 88  | 39 | 22,5 | 24,2 | 3,2 | 72 |
| B200-D          | 64 | 100 | 119 | 138 | 39 | 22,5 | 24,2 | 3,2 | 72 |

C<sup>1)</sup> Internal depth, outside of door to top of DIN rail. Metal shaft is not included. Please order separately. See page B6-9.

# Metal shaft extension

**sälzer**



**Product lines**  
B200-A/ -D/ -E

**Base mounting**  
switch

**Door interlock**  
Metal shaft extension

**Single hole mounting**  
ø 22,5 mm front

**AVA8 - . . .**

## Modular shaft extensions for use with door interlock and single hole mounting ø 22,5 mm front

Dimension C (internal depth, outside of door to top of DIN rail)

| B200-A         | B200-D/ -E     | Order code number |
|----------------|----------------|-------------------|
| 155 ... 173 mm | 167 ... 185 mm | AVA8 - 065        |
| 174 ... 198 mm | 186 ... 210 mm | AVA8 - 090        |
| 199 ... 223 mm | 211 ... 235 mm | AVA8 - 115        |
| 224 ... 248 mm | 236 ... 260 mm | AVA8 - 140        |
| 249 ... 273 mm | 261 ... 285 mm | AVA8 - 165        |
| 274 ... 298 mm | 286 ... 310 mm | AVA8 - 190        |
| 299 ... 323 mm | 311 ... 335 mm | AVA8 - 215        |
| 324 ... 348 mm | 336 ... 360 mm | AVA8 - 240        |
| 349 ... 373 mm | 361 ... 385 mm | AVA8 - 265        |
| 374 ... 398 mm | 386 ... 419 mm | AVA8 - 290        |
| 399 ... 423 mm | 411 ... 435 mm | AVA8 - 315        |
| 424 ... 448 mm | 436 ... 460 mm | AVA8 - 340        |
| 449 ... 473 mm | 461 ... 485 mm | AVA8 - 365        |
| 474 ... 498 mm | 486 ... 510 mm | AVA8 - 390        |
| 499 ... 523 mm | 511 ... 535 mm | AVA8 - 415        |
| 524 ... 548 mm | 536 ... 560 mm | AVA8 - 440        |
| 549 ... 573 mm | 561 ... 585 mm | AVA8 - 465        |
| 574 ... 598 mm | 586 ... 610 mm | AVA8 - 490        |
| 599 ... 623 mm | 611 ... 635 mm | AVA8 - 515        |
| 624 ... 643 mm | 636 ... 660 mm | AVA8 - 540        |

# Base Mounting Switches

# sälzer

**Product line  
B200-A**

**Base mounting switch**

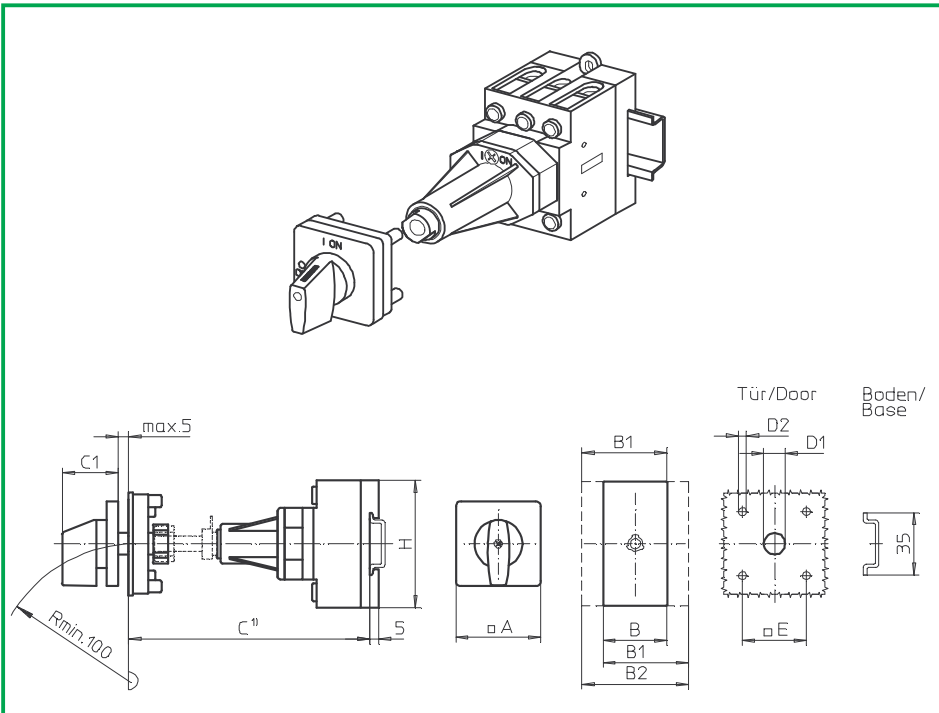
**Door clutch**

Metal shaft extension

**Four hole mounting**

36 x 36 mm front

**441M1 (IP66)**



| Complete switch                        | Poles   | Product lines | Rated data (IEC 60947)             |                                |            | Order code number  |
|--|---------|---------------|------------------------------------|--------------------------------|------------|--|
|  |         |               | Operational current I <sub>e</sub> | Operational power at 380–440 V |            |  |
|  |         |               | AC-21A<br>A                        | AC-23A<br>kW                   | AC-3<br>kW |  |
| ON-OFF Switches<br>Switching angle 90° | 3 ... 4 | B200-A        | 50<br>63                           | 18,5<br>22                     | 15<br>18,5 | <b>B250 - 41 ... - 441M1</b><br><b>B263 - 41 ... - 441M1</b> |

### SMD modules for basic switch A02

Mounting form module for 441M1

B200-A

**BFB2 - 441**

M-operator module 48 x 48 mm, mounting form 441M1  
Escutcheon black, handle black

**2AM1**

Legend plate silver, operator module 441M1

**FAS2 - 9...** (FA number)

### Dimensions (mm)

| Product lines | A  | B  | B1 | B2 | C1 | D1 | D2  | E  | H  |
|---------------|----|----|----|----|----|----|-----|----|----|
| B200-A        | 48 | 50 | 69 | 88 | 32 | 15 | 4,5 | 36 | 72 |

C<sup>1)</sup> Metal shaft is not included. Please order separately. See page B7-11.

# Base Mounting Switches

# sälzer

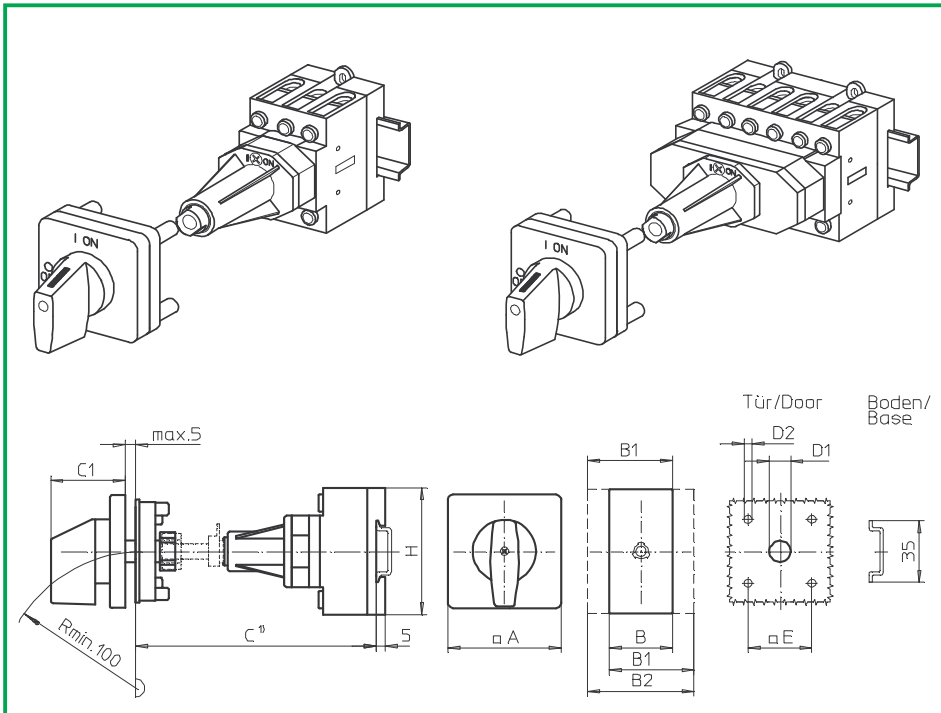
**Product lines**  
**B200-A/ -D/ -E**

**Base mounting switch**  
Operator module of next size

**Door clutch**  
Metal shaft extension

**Four hole mounting**  
48 x 48 mm front

**447M1 (IP66)**



| Complete switch                            | Poles   | Product lines | Rated data (IEC 60947)             |                                |            | Order code number  |
|--|---------|---------------|------------------------------------|--------------------------------|------------|--|
|  |         |               | Operational current I <sub>e</sub> | Operational power at 380–440 V |            |  |
|  |         |               | AC-21A<br>A                        | AC-23A<br>kW                   | AC-3<br>kW |  |
| ON-OFF Switches<br>Switching angle 90°     | 3 ... 8 | B200-A/ -D    | 50<br>63                           | 18,5<br>22                     | 15<br>18,5 | <b>B250 - 41 ... - 447M1</b><br><b>B263 - 41 ... - 447M1</b> |
| Changeover with OFF<br>Switching angle 90° | 3 ... 4 | B200-E        | 50<br>63                           | 18,5<br>22                     | 15<br>18,5 | <b>B250 - 71 ... - 447M1</b><br><b>B263 - 71 ... - 447M1</b> |

## SMD modules for basic switch A02

Mounting form module for 447M1

B200-A/ -D  
B200-E

**BFB2 - 447**  
**BFC2 - 447**

M-operator module 64 x 64 mm, mounting form 447M1  
Escutcheon black, handle black

B200-A/-D/ -E

**4AM1**

Legend plate silver, operator module 447M1

**FAS4 - 9...** (FA number)

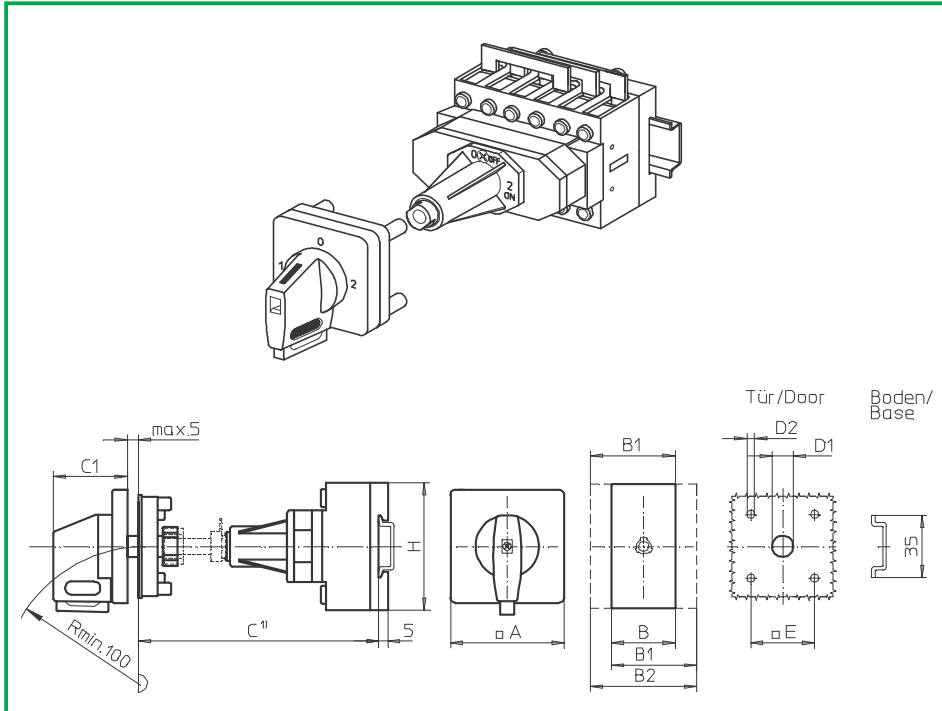
## Dimensions (mm)

| Product lines | A  | B   | B1  | B2  | C1 | D1 | D2 | E  | H  |
|---------------|----|-----|-----|-----|----|----|----|----|----|
| B200-A        | 64 | 50  | 69  | 88  | 39 | 15 | 5  | 48 | 72 |
| B200-D        | 64 | 100 | 119 | 138 | 39 | 15 | 5  | 48 | 72 |
| B200-E        | 64 | 100 | 119 | 138 | 39 | 15 | 5  | 48 | 72 |

C<sup>1)</sup> Metal shaft is not included. Please order separately. See page B7-11.

# Base Mounting Switches

# sälzer



**Product line**  
**B200-E**

**Base mounting switch**  
Operator module of next size

**Door clutch**  
Metal shaft extension

**Four hole mounting**  
48 x 48 mm front

**447V1 (IP66)**  
**446V1 (IP66)**

| Complete switch  | Poles   | Product lines | Rated data (IEC 60947)             |                                |            | Order code number            |
|--|---------|---------------|------------------------------------|--------------------------------|------------|------------------------------|
|  |         |               | Operational current I <sub>e</sub> | Operational power at 380–440 V |            |                              |
|  |         |               | AC-21A<br>A                        | AC-23A<br>kW                   | AC-3<br>kW |                              |
| Changeover with OFF<br>Switching angle 90°<br>OFF position padlockable 12h             | 3 ... 4 | B200-E        | 50                                 | 18,5                           | 15         | <b>B250 - 71 ... - 447V1</b> |
|  |         |               | 63                                 | 22                             | 18,5       | <b>B263 - 71 ... - 447V1</b> |
| Changeover with OFF<br>Switching angle 90°<br>3 positions padlockable<br>(09h/12h/03h) | 3 ... 4 | B200-E        | 50                                 | 18,5                           | 15         | <b>B250 - 71 ... - 446V1</b> |
|  |         |               | 63                                 | 22                             | 18,5       | <b>B263 - 71 ... - 446V1</b> |

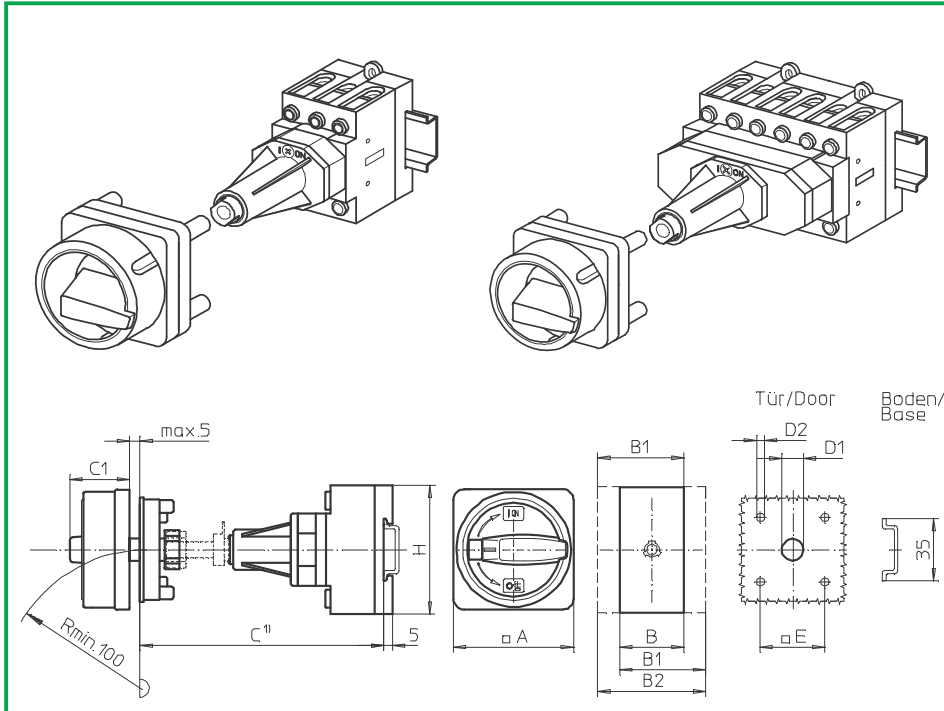
| SMD modules for basic switch A02  |  |  |  |        |  |                                |
|---|--|--|--|--------|--|--------------------------------|
| Mounting form module for 447V1/ 446V1   |  |  |  | B200-E |  | <b>BFC2 - 447</b>              |
| V-operator module 64 x 64 mm, mounting form 447V1<br>Escutcheon black, handle black |  |  |  |        |  | <b>4AV1 - 12</b>               |
| V-operator module 64 x 64 mm, mounting form 446V1<br>Escutcheon black, handle black |  |  |  |        |  | <b>4AV1 - 99</b>               |
| Legend plate silver, operator modules 447V1/ 446V1                                  |  |  |  |        |  | <b>FAS4 - .... (FA number)</b> |

| Dimensions (mm) |    |     |     |     |    |    |    |    |    |
|-----------------|----|-----|-----|-----|----|----|----|----|----|
| Product lines   | A  | B   | B1  | B2  | C1 | D1 | D2 | E  | H  |
| B200-E          | 64 | 100 | 119 | 138 | 39 | 15 | 5  | 48 | 72 |

C<sup>1)</sup> Metal shaft is not included. Please order separately. See page B7-11.

# Base Mounting Switches

# sälzer



**Product lines**  
**B200-A/ -D**

**Base mounting switch**

**Door clutch**

Metal shaft extension

**Four hole mounting**

36 x 36 mm front

**432M1 (IP66)**

**432M4 (IP66)**

| Complete switch   | Poles   | Product lines | Rated data (IEC 60947)             |                                |            | Order code number  |
|---|---------|---------------|------------------------------------|--------------------------------|------------|--|
|   |         |               | Operational current I <sub>e</sub> | Operational power at 380–440 V |            |  |
|   |         |               | AC-21A<br>A                        | AC-23A<br>kW                   | AC-3<br>kW |  |
| Main Switches<br>OFF position padlockable 09h               | 3 ... 8 | B200-A/ -D    | 50<br>63                           | 18,5<br>22                     | 15<br>18,5 | <b>B250 - 41 ... - 432M1</b><br><b>B263 - 41 ... - 432M1</b> |
| Main/Emergency-Off Switches<br>OFF position padlockable 09h | 3 ... 8 | B200-A/ -D    | 50<br>63                           | 18,5<br>22                     | 15<br>18,5 | <b>B250 - 41 ... - 432M4</b><br><b>B263 - 41 ... - 432M4</b> |

## SMD modules for basic switch A02

Mounting form module for 432M.

B200-A/ -D

**BFB2 - 432**

M-padlock device 67 x 67 mm, mounting form 432M1  
Escutcheon black, padlockable handle black

**2CM1**

M-padlock device 67 x 67 mm, mounting form 432M4  
Escutcheon yellow, padlockable handle red

**2CM4**

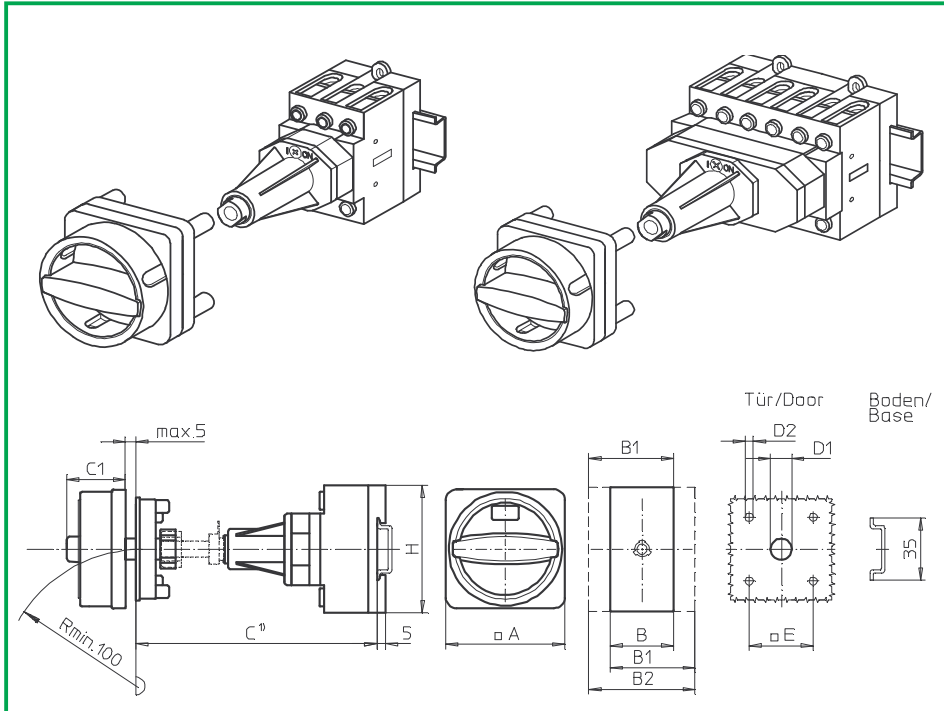
## Dimensions (mm)

| Product lines | A  | B   | B1  | B2  | C1 | D1 | D2  | E  | H  |
|---------------|----|-----|-----|-----|----|----|-----|----|----|
| B200-A        | 67 | 50  | 69  | 88  | 38 | 15 | 4,5 | 36 | 72 |
| B200-D        | 67 | 100 | 119 | 138 | 38 | 15 | 4,5 | 36 | 72 |

C<sup>1)</sup> Metal shaft is not included. Please order separately. See page B7-11.

# Base Mounting Switches

# sälzer



**Product lines**  
**B200-A/ -D**

**Base mounting switch**

**Door clutch**

Metal shaft extension

**Four hole mounting**

36 x 36 mm front

**432N1 (IP66)**

**432N4 (IP66)**

| Complete switch   | Poles   | Product lines | Rated data (IEC 60947)             |                                |            | Order code number  |
|---|---------|---------------|------------------------------------|--------------------------------|------------|--|
|   |         |               | Operational current I <sub>e</sub> | Operational power at 380–440 V |            |  |
|   |         |               | AC-21A<br>A                        | AC-23A<br>kW                   | AC-3<br>kW |  |
| Main Switches<br>OFF position padlockable 09h               | 3 ... 8 | B200-A/ -D    | 50<br>63                           | 18,5<br>22                     | 15<br>18,5 | <b>B250 - 41 ... - 432N1</b><br><b>B263 - 41 ... - 432N1</b> |
| Main/Emergency-Off Switches<br>OFF position padlockable 09h | 3 ... 8 | B200-A/ -D    | 50<br>63                           | 18,5<br>22                     | 15<br>18,5 | <b>B250 - 41 ... - 432N4</b><br><b>B263 - 41 ... - 432N4</b> |

## SMD modules for basic switch A02

Mounting form module for 432N.

B200-A/ -D

**BFB2 - 432**  
**2CN1**

N-padlock device 67 x 67 mm, mounting form 432N1  
Escutcheon black, padlockable handle black

**2CN4**

N-padlock device 67 x 67 mm, mounting form 432N4  
Escutcheon yellow, padlockable handle red

## Dimensions (mm)

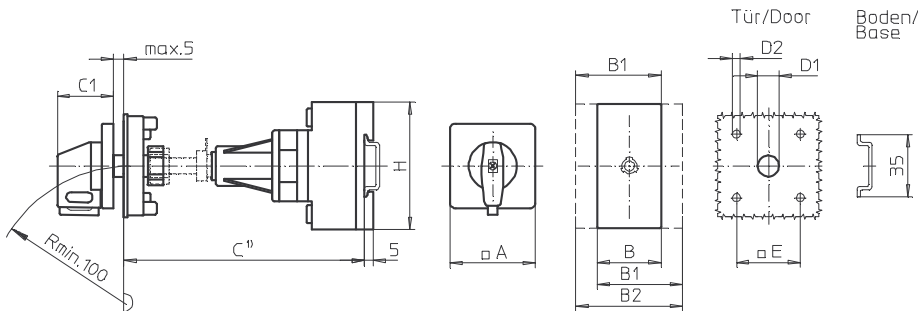
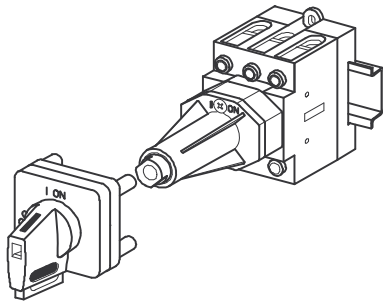
| Product lines | A  | B   | B1  | B2  | C1 | D1 | D2  | E  | H  |
|---------------|----|-----|-----|-----|----|----|-----|----|----|
| B200-A        | 67 | 50  | 69  | 88  | 33 | 15 | 4,5 | 36 | 72 |
| B200-D        | 67 | 100 | 119 | 138 | 33 | 15 | 4,5 | 36 | 72 |

C<sup>1)</sup> Metal shaft is not included. Please order separately. See page B7-11.



# Base Mounting Switches

# sälzer



**Product line**  
**B200-A**

**Base mounting switch**

**Door clutch**

Metal shaft extension

**Four hole mounting**

36 x 36 mm front

**432V1 (IP66)**

**432V4 (IP66)**

| Complete switch   | Poles   | Product lines | Rated data (IEC 60947)             |                                |            | Order code number  |
|---|---------|---------------|------------------------------------|--------------------------------|------------|--|
|   |         |               | Operational current I <sub>e</sub> | Operational power at 380–440 V |            |  |
|   |         |               | AC-21A<br>A                        | AC-23A<br>kW                   | AC-3<br>kW |  |
| Main Switches<br>OFF position padlockable 09h               | 3 ... 4 | B200-A        | 50<br>63                           | 18,5<br>22                     | 15<br>18,5 | <b>B250 - 41 ... - 432V1</b><br><b>B263 - 41 ... - 432V1</b> |
| Main/Emergency-Off Switches<br>OFF position padlockable 09h | 3 ... 4 | B200-A        | 50<br>63                           | 18,5<br>22                     | 15<br>18,5 | <b>B250 - 41 ... - 432V4</b><br><b>B263 - 41 ... - 432V4</b> |

## SMD modules for basic switch A02

Mounting form module for 432V.

B200-A

**BFB2 - 441**

V-operator module 48 x 48 mm, mounting form 432V1  
Escutcheon black, handle black

**2AV1 - 09**

Legend plate silver, operator module 432V1

**FAS2 - 9078**

V-operator module 48 x 48 mm, mounting form 432V4  
Escutcheon black, handle red

**2AV4 - 09**

Legend plate yellow, operator module 432V4

**FBS2 - 9078**

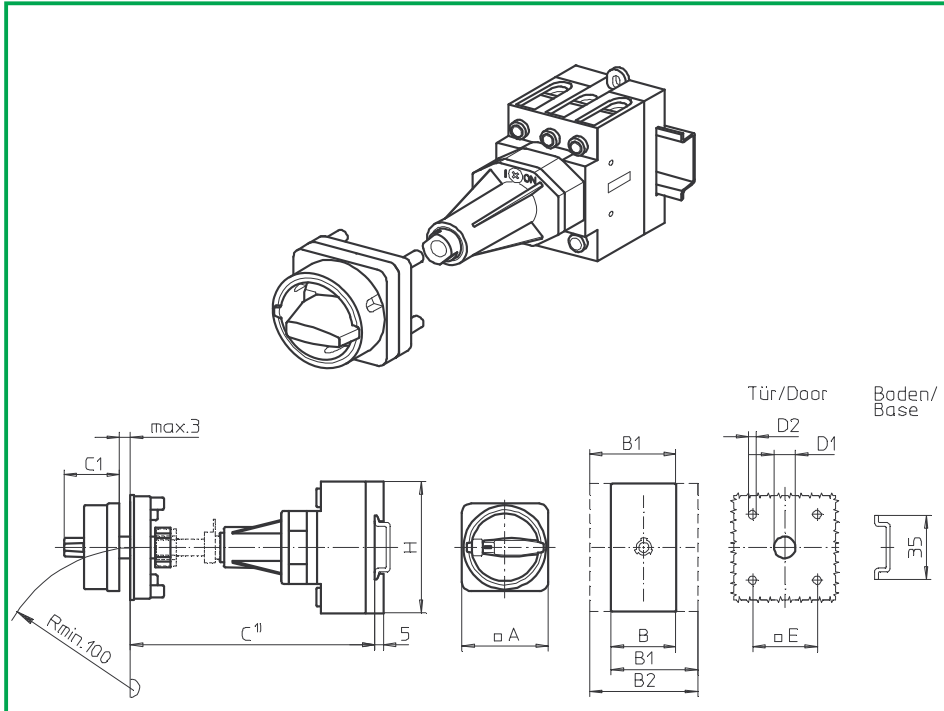
## Dimensions (mm)

| Product lines | A  | B  | B1 | B2 | C1 | D1 | D2  | E  | H  |
|---------------|----|----|----|----|----|----|-----|----|----|
| B200-A        | 48 | 50 | 69 | 88 | 32 | 15 | 4,5 | 36 | 72 |

C<sup>1)</sup> Metal shaft is not included. Please order separately. See page B7-11.

# Base Mounting Switches

# sälzer



**Product line**  
**B200-A**

**Base mounting switch**

**Door clutch**

Metal shaft extension

**Four hole mounting**

36 x 36 mm front

**431M1 (IP66)**

**431M4 (IP66)**

| Complete switch   | Poles   | Product lines | Rated data (IEC 60947)             |                                |            | Order code number  |
|---|---------|---------------|------------------------------------|--------------------------------|------------|--|
|   |         |               | Operational current I <sub>e</sub> | Operational power at 380–440 V |            |  |
|   |         |               | AC-21A<br>A                        | AC-23A<br>kW                   | AC-3<br>kW |  |
| Main Switches<br>OFF position padlockable 09h               | 3 ... 4 | B200-A        | 50<br>63                           | 18,5<br>22                     | 15<br>18,5 | <b>B250 - 41 ... - 432M1</b><br><b>B263 - 41 ... - 431M1</b> |
| Main/Emergency-Off Switches<br>OFF position padlockable 09h | 3 ... 4 | B200-A        | 50<br>63                           | 18,5<br>22                     | 15<br>18,5 | <b>B250 - 41 ... - 431M4</b><br><b>B263 - 41 ... - 431M4</b> |

### SMD modules for basic switch A02

Mounting form module for 431M.

B200-A

**BFB2 - 441**

M-padlock device 48 x 48 mm, mounting form 431M1  
Escutcheon black, padlockable handle black

**2BM1**

M-padlock device 48 x 48 mm, mounting form 431M4  
Escutcheon yellow, padlockable handle red

**2BM4**

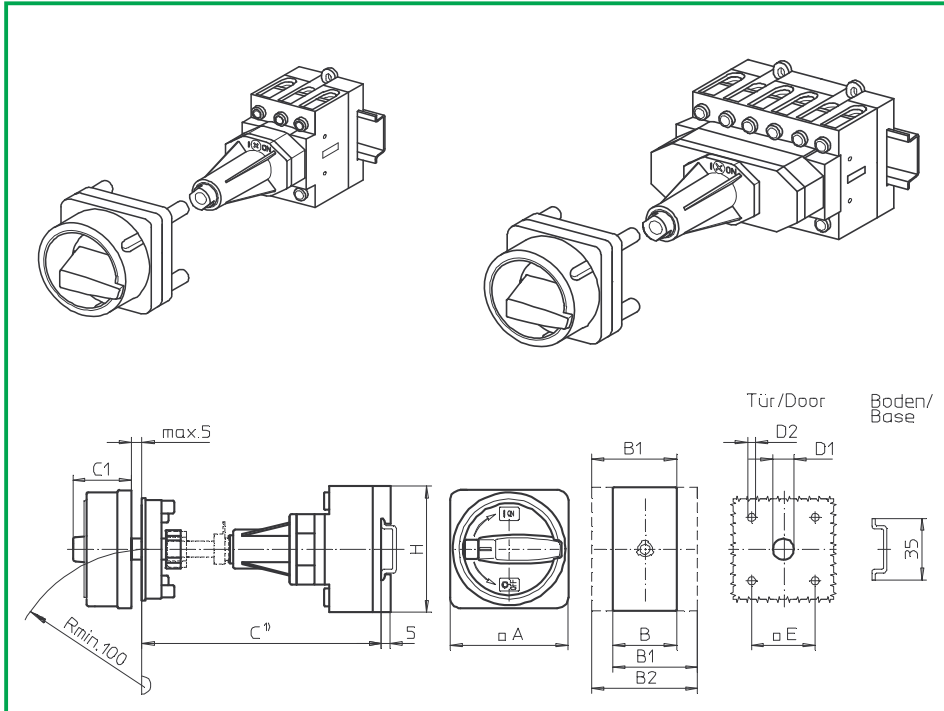
### Dimensions (mm)

| Product lines | A  | B  | B1 | B2 | C1 | D1 | D2  | E  | H  |
|---------------|----|----|----|----|----|----|-----|----|----|
| B200-A        | 48 | 50 | 69 | 88 | 31 | 15 | 4,5 | 36 | 72 |

C<sup>1)</sup> Metal shaft is not included. Please order separately. See page B7-11.

# Base Mounting Switches

# sälzer



**Product lines**  
**B200-A/ -D**

**Base mounting switch**  
Operator module of next size

**Door clutch**  
Metal shaft extension

**Four hole mounting**  
48 x 48 mm front

**437M1 (IP66)**  
**437M4 (IP66)**

| Complete switch   | Poles   | Product lines | Rated data (IEC 60947)             |                                |            | Order code number  |
|---|---------|---------------|------------------------------------|--------------------------------|------------|--|
|   |         |               | Operational current I <sub>e</sub> | Operational power at 380–440 V |            |  |
|   |         |               | AC-21A<br>A                        | AC-23A<br>kW                   | AC-3<br>kW |  |
| Main Switches<br>OFF position padlockable 09h               | 3 ... 8 | B200-A/ -D    | 50<br>63                           | 18,5<br>22                     | 15<br>18,5 | <b>B250 - 41 ... - 437M1</b><br><b>B263 - 41 ... - 437M1</b> |
| Main/Emergency-Off Switches<br>OFF position padlockable 09h | 3 ... 8 | B200-A/ -D    | 50<br>63                           | 18,5<br>22                     | 15<br>18,5 | <b>B250 - 41 ... - 437M4</b><br><b>B263 - 41 ... - 437M4</b> |

### SMD modules for basic switch A02

Mounting form module for 437M.

B200-A/ -D

**BFB2 - 437**

M-padlock device 67 x 67 mm, mounting form 437M1  
Escutcheon black, padlockable handle black

**4BM1**

M-padlock device 67 x 67 mm, mounting form 437M4  
Escutcheon yellow, padlockable handle red

**4BM4**

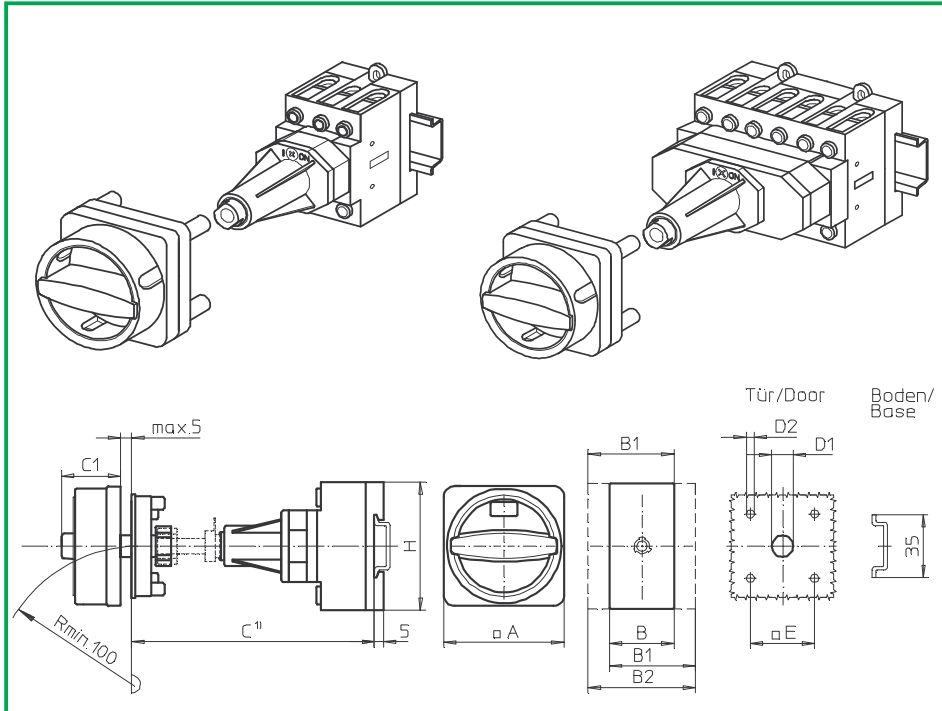
### Dimensions (mm)

| Product lines | A  | B   | B1  | B2  | C1 | D1 | D2 | E  | H  |
|---------------|----|-----|-----|-----|----|----|----|----|----|
| B200-A        | 67 | 50  | 69  | 88  | 38 | 15 | 5  | 48 | 72 |
| B200-D        | 67 | 100 | 119 | 138 | 38 | 15 | 5  | 48 | 72 |

C<sup>1)</sup> Metal shaft is not included. Please order separately. See page B7-11.

# Base Mounting Switches

# sälzer



**Product lines**  
**B200-A/ -D**

**Base mounting switch**  
Operator module of next size

**Door clutch**  
Metal shaft extension

**Four hole mounting**  
48 x 48 mm front

**437N1 (IP66)**  
**437N4 (IP66)**

| Complete switch   | Poles   | Product lines | Rated data (IEC 60947)             |                                |            | Order code number  |
|---|---------|---------------|------------------------------------|--------------------------------|------------|--|
|   |         |               | Operational current I <sub>e</sub> | Operational power at 380–440 V |            |  |
|   |         |               | AC-21A<br>A                        | AC-23A<br>kW                   | AC-3<br>kW |  |
| Main Switches<br>OFF position padlockable 09h               | 3 ... 8 | B200-A/ -D    | 50<br>63                           | 18,5<br>22                     | 15<br>18,5 | <b>B250 - 41 ... - 437N1</b><br><b>B263 - 41 ... - 437N1</b> |
| Main/Emergency-Off Switches<br>OFF position padlockable 09h | 3 ... 8 | B200-A/ -D    | 50<br>63                           | 18,5<br>22                     | 15<br>18,5 | <b>B250 - 41 ... - 437N4</b><br><b>B263 - 41 ... - 437N4</b> |

### SMD modules for basic switch A02

Mounting form module for 237M.

B200-A/ -D

**BFB2 - 437**

N-padlock device 67 x 67 mm, mounting form 437N1  
Escutcheon black, padlockable handle black

**4BN1**

N-padlock device 67 x 67 mm, mounting form 437N4  
Escutcheon yellow, padlockable handle red

**4BN4**

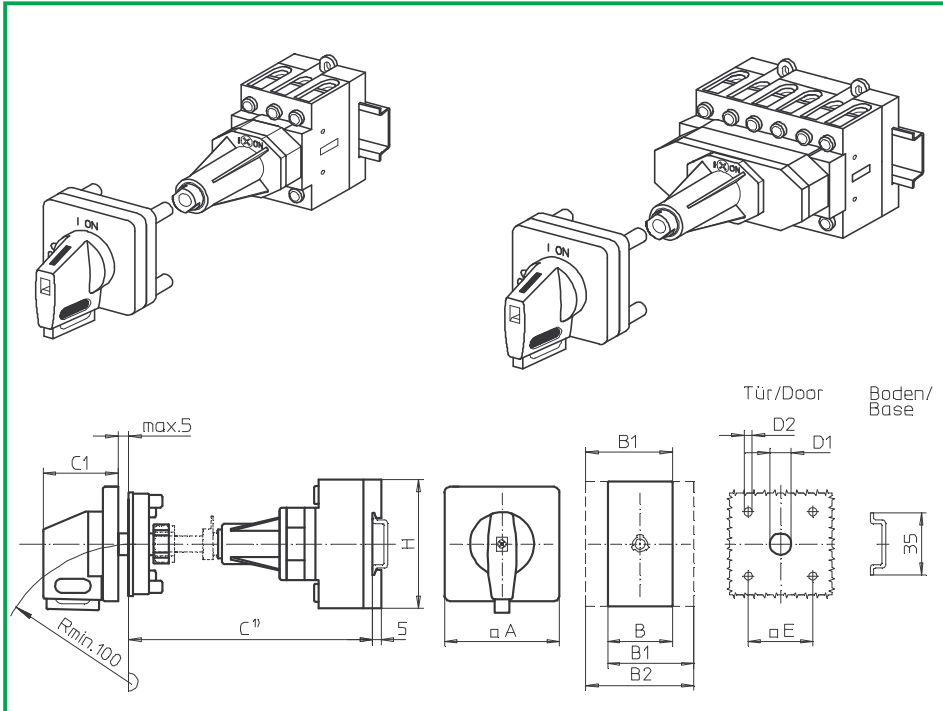
### Dimensions (mm)

| Product lines | A  | B   | B1  | B2  | C1 | D1 | D2 | E  | H  |
|---------------|----|-----|-----|-----|----|----|----|----|----|
| B200-A        | 67 | 50  | 69  | 88  | 33 | 15 | 5  | 48 | 72 |
| B200-D        | 67 | 100 | 119 | 138 | 33 | 15 | 5  | 48 | 72 |

C<sup>1)</sup> Metal shaft is not included. Please order separately. See page B7-11.

# Base Mounting Switches

# sälzer



**Product lines**  
**B200-A/ -D**

**Base mounting switch**  
Operator module of next size

**Door clutch**  
Metal shaft extension

**Four hole mounting**  
48 x 48 mm front

**437V1 (IP66)**  
**437V4 (IP66)**

| Complete switch   | Poles   | Product lines | Rated data (IEC 60947)             |                                |            | Order code number  |
|---|---------|---------------|------------------------------------|--------------------------------|------------|--|
|   |         |               | Operational current I <sub>e</sub> | Operational power at 380–440 V |            |  |
|   |         |               | AC-21A<br>A                        | AC-23A<br>kW                   | AC-3<br>kW |  |
| Main Switches<br>OFF position padlockable 09h               | 3 ... 8 | B200-A/ -D    | 50<br>63                           | 18,5<br>22                     | 15<br>18,5 | <b>B250 - 41 ... - 437V1</b><br><b>B263 - 41 ... - 437V1</b> |
| Main/Emergency-Off Switches<br>OFF position padlockable 09h | 3 ... 8 | B200-A/ -D    | 50<br>63                           | 18,5<br>22                     | 15<br>18,5 | <b>B250 - 41 ... - 437V4</b><br><b>B263 - 41 ... - 437V4</b> |

### SMD modules for basic switch A02

Mounting form module for 437V.

B200-A/ -D

**BFB2 - 447**

V-operator module 64 x 64 mm, mounting form 437V1  
Escutcheon black, handle black

**4AV1 - 09**

Legend plate silver, operator module 437V1

**FAS4 - 9078**

V-operator module 64 x 64 mm, mounting form 437V4  
Escutcheon black, handle red

**4AV4 - 09**

Legend plate yellow, operator module 437V4

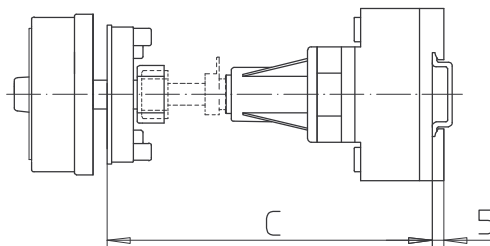
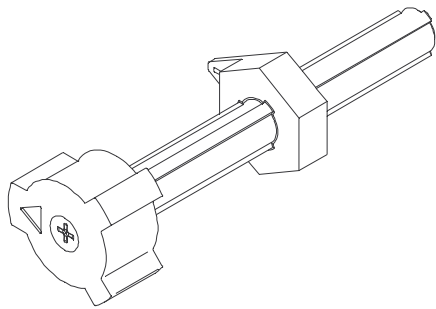
**FBS4 - 9078**

### Dimensions (mm)

| Product lines | A  | B   | B1  | B2  | C1 | D1 | D2 | E  | H  |
|---------------|----|-----|-----|-----|----|----|----|----|----|
| B200-A        | 64 | 50  | 69  | 88  | 39 | 15 | 5  | 48 | 72 |
| B200-D        | 64 | 100 | 119 | 138 | 39 | 15 | 5  | 48 | 72 |

C<sup>1)</sup> Metal shaft is not included. Please order separately. See page B7-11.

# Metal shaft extension



**Product lines**  
B200-A/ -D/ -E

**Base mounting switch**

**Door clutch**  
Metal shaft extension

**Four hole mounting**  
Front

**AVB8 - . . .**

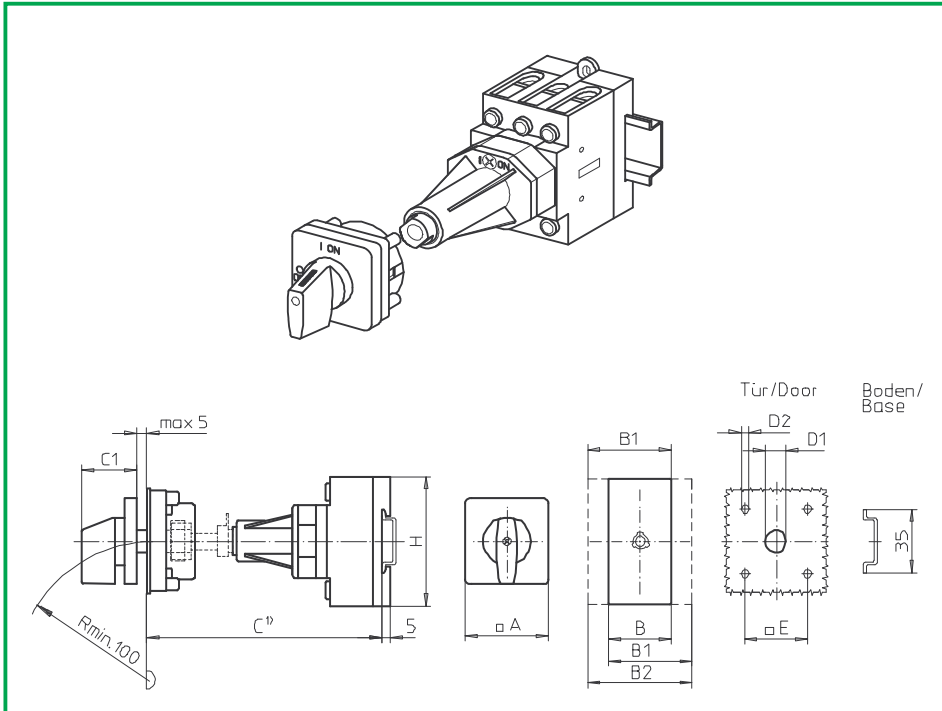
## Metal shaft extension for use with door clutch and four hole mounting front

Dimension C (internal depth, inside of door to top of DIN rail)

| B200-A           | B200-D/ -E       | Order code number |
|------------------|------------------|-------------------|
| 140 . . . 164 mm | 152 . . . 176 mm | AVB8 - 065        |
| 165 . . . 189 mm | 177 . . . 201 mm | AVB8 - 090        |
| 190 . . . 214 mm | 202 . . . 226 mm | AVB8 - 115        |
| 215 . . . 239 mm | 227 . . . 251 mm | AVB8 - 140        |
| 240 . . . 264 mm | 252 . . . 276 mm | AVB8 - 165        |
| 265 . . . 289 mm | 277 . . . 301 mm | AVB8 - 190        |
| 290 . . . 314 mm | 302 . . . 326 mm | AVB8 - 215        |
| 315 . . . 339 mm | 327 . . . 351 mm | AVB8 - 240        |
| 340 . . . 364 mm | 352 . . . 376 mm | AVB8 - 265        |
| 365 . . . 389 mm | 377 . . . 401 mm | AVB8 - 290        |
| 390 . . . 414 mm | 402 . . . 426 mm | AVB8 - 315        |
| 415 . . . 439 mm | 427 . . . 451 mm | AVB8 - 340        |
| 440 . . . 464 mm | 452 . . . 476 mm | AVB8 - 365        |
| 465 . . . 489 mm | 477 . . . 501 mm | AVB8 - 390        |
| 490 . . . 514 mm | 502 . . . 526 mm | AVB8 - 415        |
| 515 . . . 539 mm | 527 . . . 551 mm | AVB8 - 440        |
| 540 . . . 564 mm | 552 . . . 576 mm | AVB8 - 465        |
| 565 . . . 589 mm | 577 . . . 601 mm | AVB8 - 490        |
| 590 . . . 614 mm | 602 . . . 626 mm | AVB8 - 515        |
| 615 . . . 639 mm | 627 . . . 651 mm | AVB8 - 540        |

# Base Mounting Switches

# sälzer



**Product line  
B200-A**

**Base mounting switch**

**Door interlock**  
Metal shaft extension

**Four hole mounting**  
36 x 36 mm front

**481M1 (IP66)**

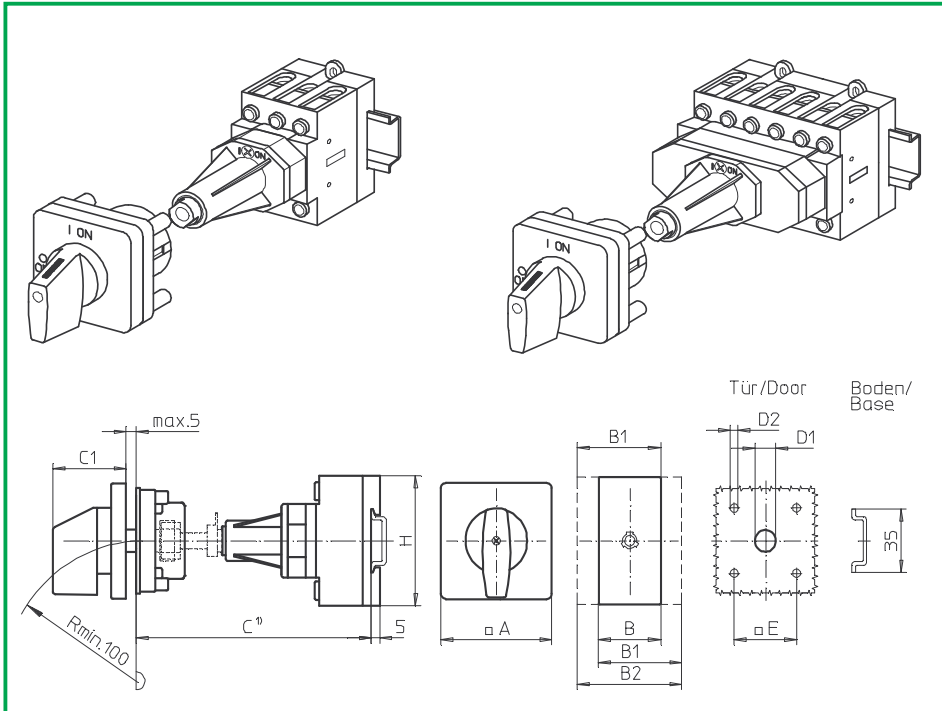
| Complete switch                        | Poles   | Product lines | Rated data (IEC 60947)             |                                |            | Order code number  |
|--|---------|---------------|------------------------------------|--------------------------------|------------|--|
|  |         |               | Operational current I <sub>e</sub> | Operational power at 380–440 V |            |  |
|  |         |               | AC-21A<br>A                        | AC-23A<br>kW                   | AC-3<br>kW |  |
| ON-OFF Switches<br>Switching angle 90° | 3 ... 4 | B200-A        | 50<br>63                           | 18,5<br>22                     | 15<br>18,5 | <b>B250 - 41 ... - 481M1</b><br><b>B263 - 41 ... - 481M1</b> |

| SMD modules for basic switch A02  |  |  |  |        |  |                                |
|---|--|--|--|--------|--|--------------------------------|
| Mounting form module for 481M1  |  |  |  | B200-A |  | <b>BFB2 - 481</b>              |
| M-operator module 48 x 48 mm, mounting form 481M1<br>Escutcheon black, handle black |  |  |  |        |  | <b>2AM1</b>                    |
| Legend plate silver, operator module 481M1  |  |  |  |        |  | <b>FAS2 - 9...</b> (FA number) |

| Dimensions (mm) |    |    |    |    |    |    |     |    |    |
|-----------------|----|----|----|----|----|----|-----|----|----|
| Product lines   | A  | B  | B1 | B2 | C1 | D1 | D2  | E  | H  |
| B200-A          | 48 | 50 | 69 | 88 | 32 | 15 | 4,5 | 36 | 72 |

C<sup>1)</sup> Internal depth, inside of door to top of DIN rail. Metal shaft is not included. Please order separately. See page B8-11.

# Base Mounting Switches



**Product lines**  
**B200-A/ -D/ -E**

**Base mounting switch**  
 Operator module of next size

**Door interlock**  
 Metal shaft extension

**Four hole mounting**  
 48 x 48 mm front

**482M1 (IP66)**

| Complete switch                            | Poles   | Product lines | Rated data (IEC 60947)             |                                |            | Order code number  |
|--|---------|---------------|------------------------------------|--------------------------------|------------|--|
|  |         |               | Operational current I <sub>e</sub> | Operational power at 380–440 V |            |  |
|  |         |               | AC-21A<br>A                        | AC-23A<br>kW                   | AC-3<br>kW |  |
| ON-OFF Switches<br>Switching angle 90°     | 3 ... 8 | B200-A/ -D    | 50<br>63                           | 18,5<br>22                     | 15<br>18,5 | <b>B250 - 41 ... - 482M1</b><br><b>B263 - 41 ... - 482M1</b> |
| Changeover with OFF<br>Switching angle 90° | 3 ... 4 | B200-E        | 50<br>63                           | 18,5<br>22                     | 15<br>18,5 | <b>B250 - 71 ... - 482M1</b><br><b>B263 - 71 ... - 482M1</b> |

| SMD modules for basic switch A02  |                      |   |
|---|----------------------|---|
| Mounting form module for 482M1  | B200-A/ -D<br>B200-E | <b>BFB2 - 482</b><br><b>BFC2 - 482</b>        |
| M-operator module 64 x 64 mm, mounting form 482M1<br>Escutcheon black, handle black<br>Legend plate silver, operator module 482M1 | B200-A/-D/ -E        | <b>4AM1</b><br><b>FAS4 - 9...</b> (FA number) |

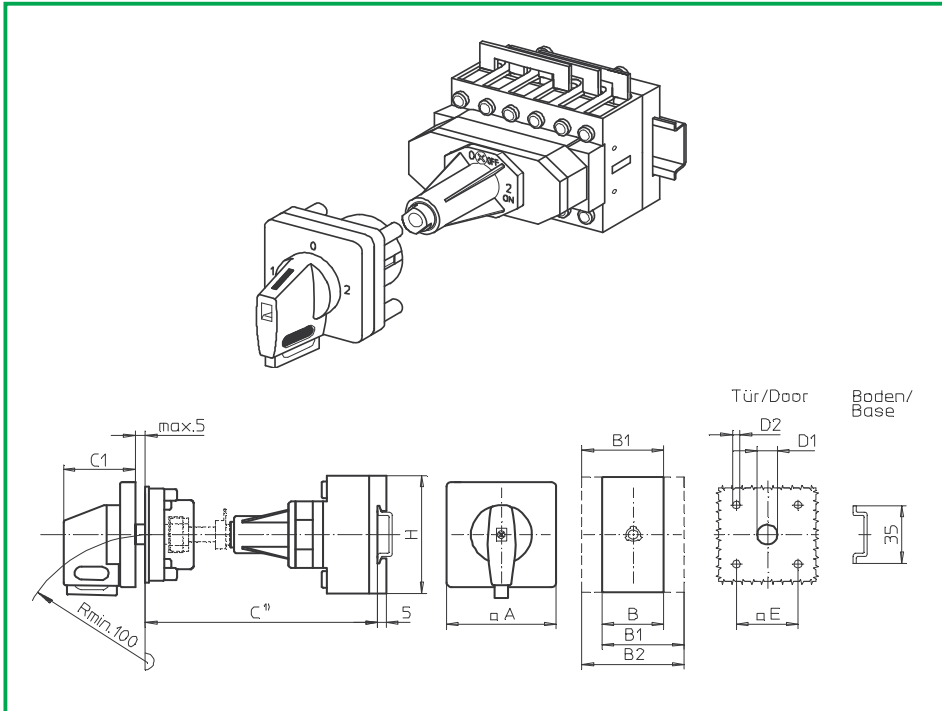
| Dimensions (mm) |    |     |     |     |    |    |    |    |    |
|-----------------|----|-----|-----|-----|----|----|----|----|----|
| Product lines   | A  | B   | B1  | B2  | C1 | D1 | D2 | E  | H  |
| B200-A          | 64 | 50  | 69  | 88  | 39 | 15 | 5  | 48 | 72 |
| B200-D          | 64 | 100 | 119 | 138 | 39 | 15 | 5  | 48 | 72 |
| B200-E          | 64 | 100 | 119 | 138 | 39 | 15 | 5  | 48 | 72 |

C<sup>1)</sup> Internal depth, inside of door to top of DIN rail. Metal shaft is not included. Please order separately. See page B8-11.



# Base Mounting Switches

# sälzer



**Product line**  
**B200-E**

**Base mounting switch**  
Operator module of next size

**Door interlock**  
Metal shaft extension

**Four hole mounting**  
48 x 48 mm front

**482V1 (IP66)**  
**449V1 (IP66)**

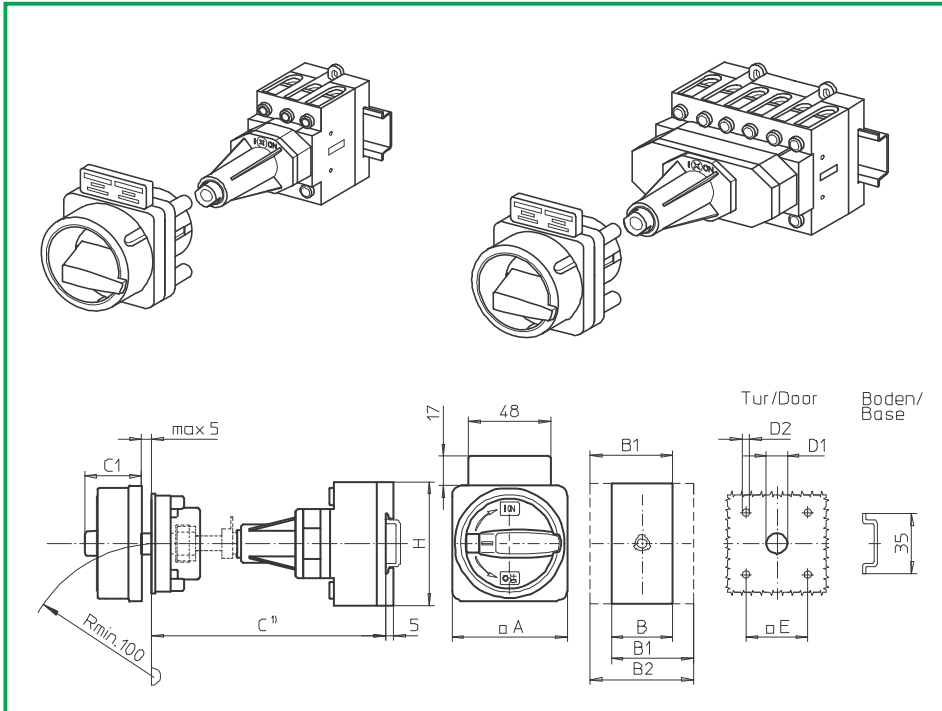
| Complete switch  | Poles   | Product lines | Rated data (IEC 60947)             |                                |            | Order code number  |
|--|---------|---------------|------------------------------------|--------------------------------|------------|--|
|  |         |               | Operational current I <sub>e</sub> | Operational power at 380–440 V |            |  |
|  |         |               | AC-21A<br>A                        | AC-23A<br>kW                   | AC-3<br>kW |  |
| Changeover with OFF<br>Switching angle 90°<br>OFF position padlockable 12h             | 3 ... 4 | B200-E        | 50<br>63                           | 18,5<br>22                     | 15<br>18,5 | <b>B250 - 71 ... - 482V1</b><br><b>B263 - 71 ... - 482V1</b> |
| Changeover with OFF<br>Switching angle 90°<br>3 positions padlockable<br>(09h/12h/03h) | 3 ... 4 | B200-E        | 50<br>63                           | 18,5<br>22                     | 15<br>18,5 | <b>B250 - 71 ... - 449V1</b><br><b>B263 - 71 ... - 449V1</b> |

| SMD modules for basic switch A02  |  |        |                                |
|---|--|--------|--------------------------------|
| Mounting form module for 482V1/ 449V1   |  | B200-E | <b>BFC2 - 482</b>              |
| V-operator module 64 x 64 mm, mounting form 482V1<br>Escutcheon black, handle black |  |        | <b>4AV1 - 12</b>               |
| V-operator module 64 x 64 mm, mounting form 449V1<br>Escutcheon black, handle black |  |        | <b>4AV1 - 99</b>               |
| Legend plate silver, operator modules 482V1/ 449V1                                  |  |        | <b>FAS4 - 9...</b> (FA number) |

| Dimensions (mm) |    |     |     |     |    |    |    |    |    |
|-----------------|----|-----|-----|-----|----|----|----|----|----|
| Product lines   | A  | B   | B1  | B2  | C1 | D1 | D2 | E  | H  |
| B200-E          | 64 | 100 | 119 | 138 | 39 | 15 | 5  | 48 | 72 |

C<sup>1)</sup> Internal depth, inside of door to top of DIN rail. Metal shaft is not included. Please order separately. See page B8-11.

# Base Mounting Switches



**Product lines**  
**B200-A/ -D**

**Base mounting switch**

**Door interlock**

Metal shaft extension

**Four hole mounting**

36 x 36 mm front

**483M1 (IP66)**

**483M4 (IP66)**

| Complete switch   | Poles   | Product lines | Rated data (IEC 60947)             |                                |            | Order code number  |
|---|---------|---------------|------------------------------------|--------------------------------|------------|--|
|   |         |               | Operational current I <sub>e</sub> | Operational power at 380–440 V |            |  |
|   |         |               | AC-21A<br>A                        | AC-23A<br>kW                   | AC-3<br>kW |  |
| Main Switches<br>OFF position padlockable 09h               | 3 ... 8 | B200-A/ -D    | 50<br>63                           | 18,5<br>22                     | 15<br>18,5 | <b>B250 - 41 ... - 483M1</b><br><b>B263 - 41 ... - 483M1</b> |
| Main/Emergency-Off Switches<br>OFF position padlockable 09h | 3 ... 8 | B200-A/ -D    | 50<br>63                           | 18,5<br>22                     | 15<br>18,5 | <b>B250 - 41 ... - 483M4</b><br><b>B263 - 41 ... - 483M4</b> |

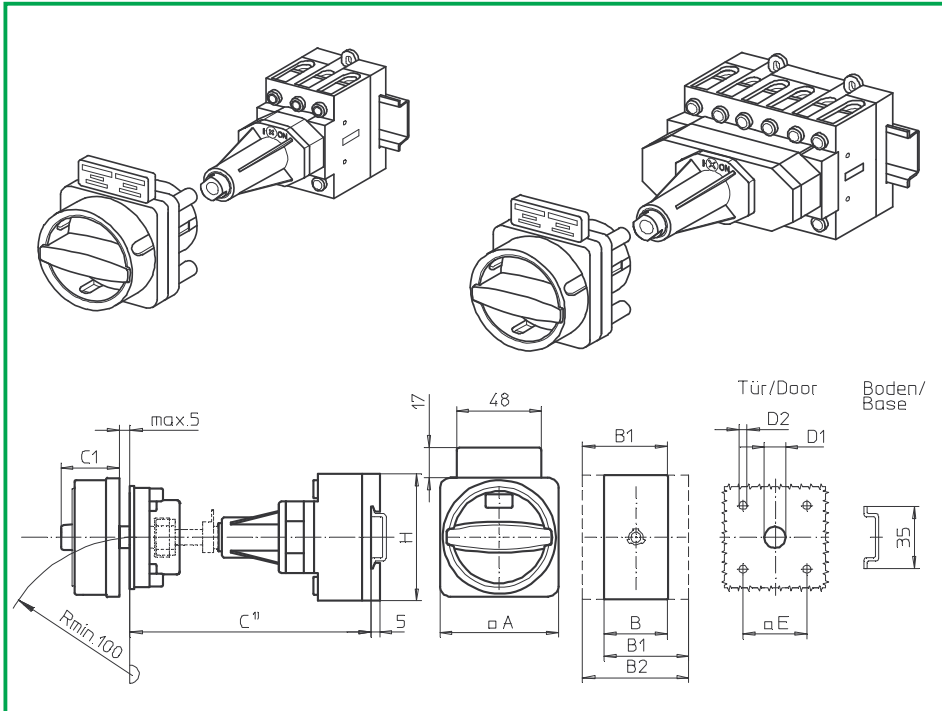
| SMD modules for basic switch A02   |  |            |                    |
|--|--|------------|--------------------|
| Mounting form module for 483M.   |  | B200-A/ -D | <b>BFB2 - 483</b>  |
| M-padlock device 67 x 67 mm, mounting form 483M1<br>Escutcheon black, padlockable handle black |  |            | <b>2CM1</b>        |
| M-padlock device 67 x 67 mm, mounting form 483M4<br>Escutcheon yellow, padlockable handle red  |  |            | <b>2CM4</b>        |
| Additional top escutcheon plate  |  |            | <b>FAZ2 - 8041</b> |

| Dimensions (mm) |    |     |     |     |    |    |     |    |    |
|-----------------|----|-----|-----|-----|----|----|-----|----|----|
| Product lines   | A  | B   | B1  | B2  | C1 | D1 | D2  | E  | H  |
| B200-A          | 67 | 50  | 69  | 88  | 38 | 15 | 4,5 | 36 | 72 |
| B200-D          | 67 | 100 | 119 | 138 | 38 | 15 | 4,5 | 36 | 72 |

C<sup>1)</sup> Internal depth, inside of door to top of DIN rail. Metal shaft is not included. Please order separately. See page B8-11.

# Base Mounting Switches

**sälzer**



**Product line  
B200-A**

**Base mounting switch**

**Door interlock**  
Metal shaft extension

**Four hole mounting**  
36 x 36 mm front

**483N1 (IP66)**  
**483N4 (IP66)**

| Complete switch   | Poles   | Product lines | Rated data (IEC 60947)             |                                |            | Order code number  |
|---|---------|---------------|------------------------------------|--------------------------------|------------|--|
|   |         |               | Operational current I <sub>e</sub> | Operational power at 380–440 V |            |  |
|   |         |               | AC-21A<br>A                        | AC-23A<br>kW                   | AC-3<br>kW |  |
| Main Switches<br>OFF position padlockable 09h               | 3 ... 8 | B200-A/ -D    | 50<br>63                           | 18,5<br>22                     | 15<br>18,5 | <b>B250 - 41 ... - 483N1</b><br><b>B263 - 41 ... - 483N1</b> |
| Main/Emergency-Off Switches<br>OFF position padlockable 09h | 3 ... 8 | B200-A/ -D    | 50<br>63                           | 18,5<br>22                     | 15<br>18,5 | <b>B250 - 41 ... - 483N4</b><br><b>B263 - 41 ... - 483N4</b> |

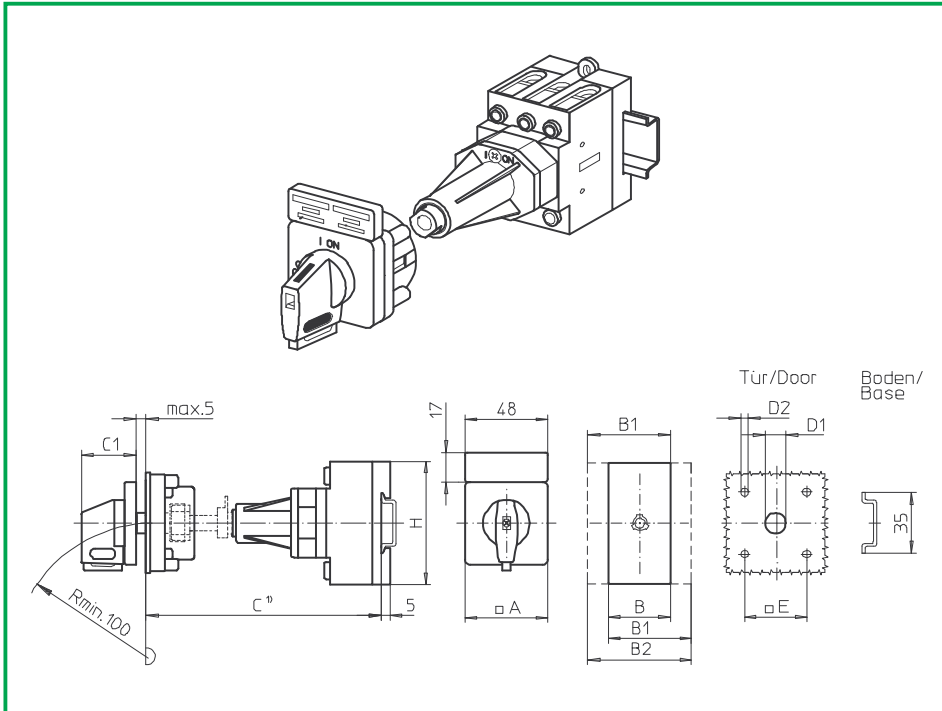
| SMD modules for basic switch A02   |  |            |                    |
|--|--|------------|--------------------|
| Mounting form module for 483N.   |  | B200-A/ -D | <b>BFB2 - 483</b>  |
| N-padlock device 67 x 67 mm, mounting form 483N1<br>Escutcheon black, padlockable handle black |  |            | <b>2CN1</b>        |
| N-padlock device 67 x 67 mm, mounting form 483N4<br>Escutcheon yellow, padlockable handle red  |  |            | <b>2CN4</b>        |
| Additional top escutcheon plate  |  |            | <b>FAZZ - 8041</b> |

| Dimensions (mm) |    |     |     |     |    |    |     |    |    |
|-----------------|----|-----|-----|-----|----|----|-----|----|----|
| Product lines   | A  | B   | B1  | B2  | C1 | D1 | D2  | E  | H  |
| B200-A          | 67 | 50  | 69  | 88  | 33 | 15 | 4,5 | 36 | 72 |
| B200-D          | 67 | 100 | 119 | 138 | 33 | 15 | 4,5 | 36 | 72 |

C<sup>1)</sup> Internal depth, inside of door to top of DIN rail. Metal shaft is not included. Please order separately. See page B8-11.

# Base Mounting Switches

# sälzer



**Product line**  
**B200-A**

**Base mounting switch**

**Door interlock**  
Metal shaft extension

**Four hole mounting**  
36 x 36 mm front

**483V1 (IP66)**  
**483V4 (IP66)**

| Complete switch   | Poles   | Product lines | Rated data (IEC 60947)             |                                |            | Order code number  |
|---|---------|---------------|------------------------------------|--------------------------------|------------|--|
|   |         |               | Operational current I <sub>e</sub> | Operational power at 380–440 V |            |  |
|   |         |               | AC-21A<br>A                        | AC-23A<br>kW                   | AC-3<br>kW |  |
| Main Switches<br>OFF position padlockable 09h               | 3 ... 4 | B200-A        | 50<br>63                           | 18,5<br>22                     | 15<br>18,5 | <b>B250 - 41 ... - 483V1</b><br><b>B263 - 41 ... - 483V1</b> |
| Main/Emergency-Off Switches<br>OFF position padlockable 09h | 3 ... 4 | B200-A        | 50<br>63                           | 18,5<br>22                     | 15<br>18,5 | <b>B250 - 41 ... - 483V4</b><br><b>B263 - 41 ... - 483V4</b> |

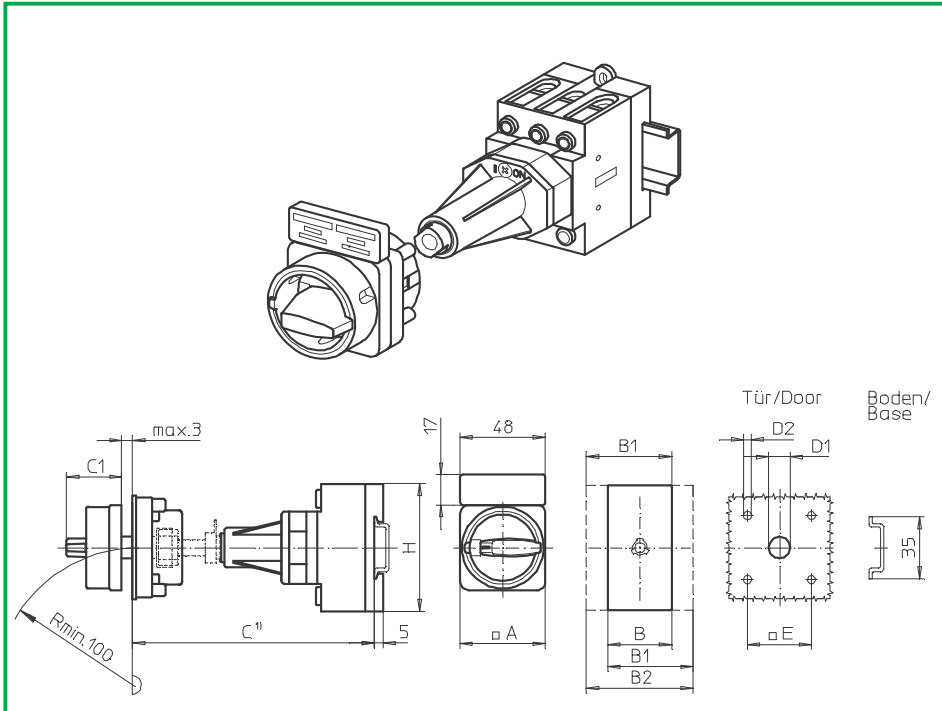
| SMD modules for basic switch A02   |  |        |  |
|--|--|--------|--|
| Mounting form module for 483V.   |  | B200-A | <b>BFB2 - 481</b>  |
| V-operator module 48 x 48 mm, mounting form 483V1<br>Escutcheon black, handle black<br>Legend plate silver, operator module 483V1                                  |  |        | <b>2AV1 - 09</b><br><b>FAS2 - 9078</b>                       |
| V-operator module 48 x 48 mm, mounting form 483V4<br>Escutcheon black, handle red<br>Legend plate yellow, operator module 483V4<br>Additional top escutcheon plate |  |        | <b>2AV4 - 09</b><br><b>FBS2 - 9078</b><br><b>FAZ2 - 8041</b> |

| Dimensions (mm) |    |    |    |    |    |    |     |    |    |
|-----------------|----|----|----|----|----|----|-----|----|----|
| Product lines   | A  | B  | B1 | B2 | C1 | D1 | D2  | E  | H  |
| B200-A          | 48 | 50 | 69 | 88 | 32 | 15 | 4,5 | 36 | 72 |

C<sup>1)</sup> Internal depth, inside of door to top of DIN rail. Metal shaft is not included. Please order separately. See page B8-11.

# Base Mounting Switches

# sälzer



**Product line**  
**B200-A**

**Base mounting switch**

**Door interlock**  
Metal shaft extension

**Four hole mounting**  
36 x 36 mm front

**435M1 (IP66)**  
**435M4 (IP66)**

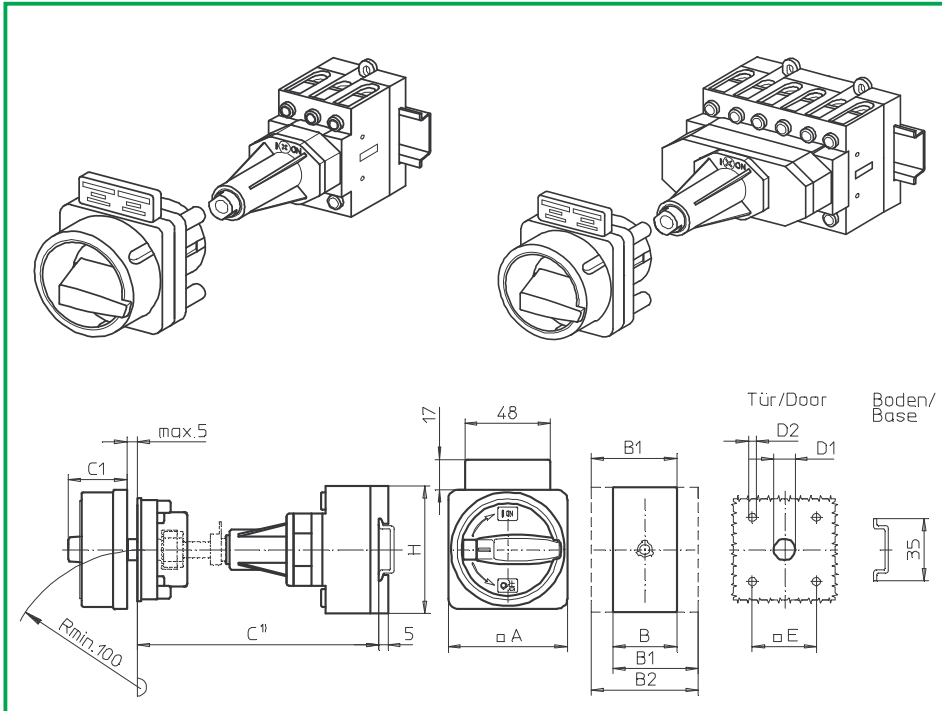
| Complete switch   | Poles   | Product lines | Rated data (IEC 60947)             |                                |            | Order code number  |
|---|---------|---------------|------------------------------------|--------------------------------|------------|--|
|   |         |               | Operational current I <sub>e</sub> | Operational power at 380–440 V |            |  |
|   |         |               | AC-21A<br>A                        | AC-23A<br>kW                   | AC-3<br>kW |  |
| Main Switches<br>OFF position padlockable 09h               | 3 ... 4 | B200-A        | 50<br>63                           | 18,5<br>22                     | 15<br>18,5 | <b>B250 - 41 ... - 435M1</b><br><b>B263 - 41 ... - 435M1</b> |
| Main/Emergency-Off Switches<br>OFF position padlockable 09h | 3 ... 4 | B200-A        | 50<br>63                           | 18,5<br>22                     | 15<br>18,5 | <b>B250 - 41 ... - 435M4</b><br><b>B263 - 41 ... - 435M4</b> |

| SMD modules for basic switch A02   |  |  |  |        |  |                    |
|--|--|--|--|--------|--|--------------------|
| Mounting form module for 435M.   |  |  |  | B200-A |  | <b>BFB2 - 481</b>  |
| M-padlock device 48 x 48 mm, mounting form 435M1<br>Escutcheon black, padlockable handle black |  |  |  |        |  | <b>2BM1</b>        |
| M-padlock device 48 x 48 mm, mounting form 435M4<br>Escutcheon yellow, padlockable handle red  |  |  |  |        |  | <b>2BM4</b>        |
| Additional top escutcheon plate  |  |  |  |        |  | <b>FAZ2 - 8041</b> |

| Dimensions (mm) |    |    |    |    |    |    |     |    |    |
|-----------------|----|----|----|----|----|----|-----|----|----|
| Product lines   | A  | B  | B1 | B2 | C1 | D1 | D2  | E  | H  |
| B200-A          | 48 | 50 | 69 | 88 | 31 | 15 | 4,5 | 36 | 72 |

C<sup>1)</sup> Internal depth, inside of door to top of DIN rail. Metal shaft is not included. Please order separately. See page B8-11.

# Base Mounting Switches



**Product lines**  
**B200-A/ -D**

**Base mounting switch**  
Operator module of next size

**Door interlock**  
Metal shaft extension

**Four hole mounting**  
48 x 48 mm front

**484M1 (IP66)**  
**484M4 (IP66)**

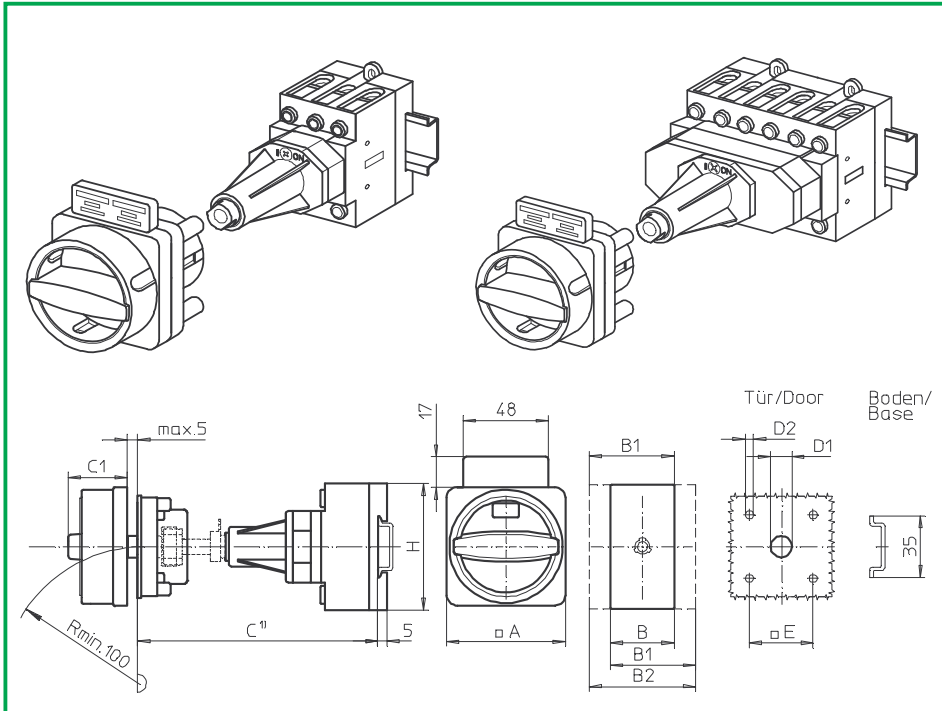
| Complete switch   | Poles   | Product lines | Rated data (IEC 60947)             |                                |            | Order code number  |
|---|---------|---------------|------------------------------------|--------------------------------|------------|--|
|   |         |               | Operational current I <sub>e</sub> | Operational power at 380–440 V |            |  |
|   |         |               | AC-21A<br>A                        | AC-23A<br>kW                   | AC-3<br>kW |  |
| Main Switches<br>OFF position padlockable 09h               | 3 ... 8 | B200-A/ -D    | 50<br>63                           | 18,5<br>22                     | 15<br>18,5 | <b>B250 - 41 ... - 484M1</b><br><b>B263 - 41 ... - 484M1</b> |
| Main/Emergency-Off Switches<br>OFF position padlockable 09h | 3 ... 8 | B200-A/ -D    | 50<br>63                           | 18,5<br>22                     | 15<br>18,5 | <b>B250 - 41 ... - 484M4</b><br><b>B263 - 41 ... - 484M4</b> |

| SMD modules for basic switch A02   |  |            |                    |
|--|--|------------|--------------------|
| Mounting form module for 484M.   |  | B200-A/ -D | <b>BFB2 - 483</b>  |
| M-padlock device 67 x 67 mm, mounting form 484M1<br>Escutcheon black, padlockable handle black |  |            | <b>4BM1</b>        |
| M-padlock device 67 x 67 mm, mounting form 484M4<br>Escutcheon yellow, padlockable handle red  |  |            | <b>4BM4</b>        |
| Additional top escutcheon plate  |  |            | <b>FAZ2 - 8041</b> |

| Dimensions (mm) |    |     |     |     |    |    |    |    |    |
|-----------------|----|-----|-----|-----|----|----|----|----|----|
| Product lines   | A  | B   | B1  | B2  | C1 | D1 | D2 | E  | H  |
| B200-A          | 67 | 50  | 69  | 88  | 38 | 15 | 5  | 48 | 72 |
| B200-D          | 67 | 100 | 119 | 138 | 38 | 15 | 5  | 48 | 72 |

C<sup>1)</sup> Internal depth, inside of door to top of DIN rail. Metal shaft is not included. Please order separately. See page B8-11.

# Base Mounting Switches



**Product lines**  
**B200-A/ -D**

**Base mounting switch**  
Operator module of next size

**Door interlock**  
Metal shaft extension

**Four hole mounting**  
48 x 48 mm front

**484N1 (IP66)**  
**484N4 (IP66)**

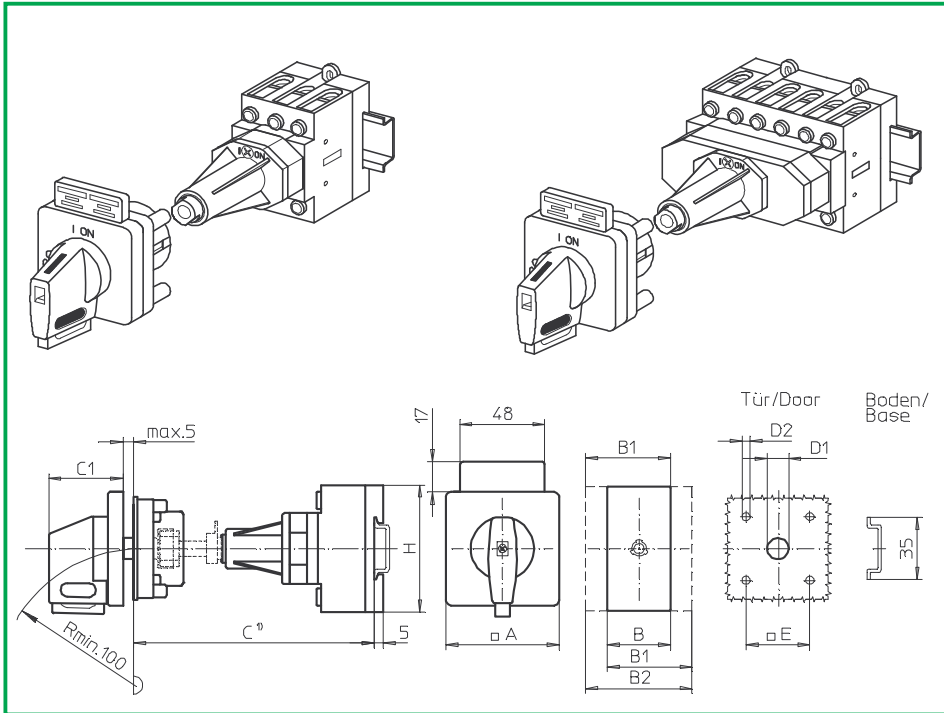
| Complete switch   | Poles   | Product lines | Rated data (IEC 60947)             |                                |            | Order code number  |
|---|---------|---------------|------------------------------------|--------------------------------|------------|--|
|   |         |               | Operational current I <sub>e</sub> | Operational power at 380–440 V |            |  |
|   |         |               | AC-21A<br>A                        | AC-23A<br>kW                   | AC-3<br>kW |  |
| Main Switches<br>OFF position padlockable 09h               | 3 ... 8 | B200-A/ -D    | 50<br>63                           | 18,5<br>22                     | 15<br>18,5 | <b>B250 - 41 ... - 484N1</b><br><b>B263 - 41 ... - 484N1</b> |
| Main/Emergency-Off Switches<br>OFF position padlockable 09h | 3 ... 8 | B200-A/ -D    | 50<br>63                           | 18,5<br>22                     | 15<br>18,5 | <b>B250 - 41 ... - 484N4</b><br><b>B263 - 41 ... - 484N4</b> |

| SMD modules for basic switch A02   |  |            |                    |
|--|--|------------|--------------------|
| Mounting form module for 484N.   |  | B200-A/ -D | <b>BFB2 - 483</b>  |
| N-padlock device 67 x 67 mm, mounting form 484N1<br>Escutcheon black, padlockable handle black |  |            | <b>4BN1</b>        |
| N-padlock device 67 x 67 mm, mounting form 484N4<br>Escutcheon yellow, padlockable handle red  |  |            | <b>4BN4</b>        |
| Additional top escutcheon plate  |  |            | <b>FAZ2 - 8041</b> |

| Dimensions (mm) |    |     |     |     |    |    |    |    |    |
|-----------------|----|-----|-----|-----|----|----|----|----|----|
| Product lines   | A  | B   | B1  | B2  | C1 | D1 | D2 | E  | H  |
| B200-A          | 67 | 50  | 69  | 88  | 33 | 15 | 5  | 48 | 72 |
| B200-D          | 67 | 100 | 119 | 138 | 33 | 15 | 5  | 48 | 72 |

C<sup>1)</sup> Internal depth, inside of door to top of DIN rail. Metal shaft is not included. Please order separately. See page B8-11.

# Base Mounting Switches



**Product lines**  
**B200-A/ -D**

**Base mounting switch**  
Operator module of next size

**Door interlock**  
Metal shaft extension

**Four hole mounting**  
48 x 48 mm front

**484V1 (IP66)**  
**484V4 (IP66)**

| Complete switch   | Poles   | Product lines | Rated data (IEC 60947)             |                                |            | Order code number  |
|---|---------|---------------|------------------------------------|--------------------------------|------------|--|
|   |         |               | Operational current I <sub>e</sub> | Operational power at 380–440 V |            |  |
|   |         |               | AC-21A<br>A                        | AC-23A<br>kW                   | AC-3<br>kW |  |
| Main Switches<br>OFF position padlockable 09h               | 3 ... 8 | B200-A/ -D    | 50<br>63                           | 18,5<br>22                     | 15<br>18,5 | <b>B250 - 41 ... - 484V1</b><br><b>B263 - 41 ... - 484V1</b> |
| Main/Emergency-Off Switches<br>OFF position padlockable 09h | 3 ... 8 | B200-A/ -D    | 50<br>63                           | 18,5<br>22                     | 15<br>18,5 | <b>B250 - 41 ... - 484V4</b><br><b>B263 - 41 ... - 484V4</b> |

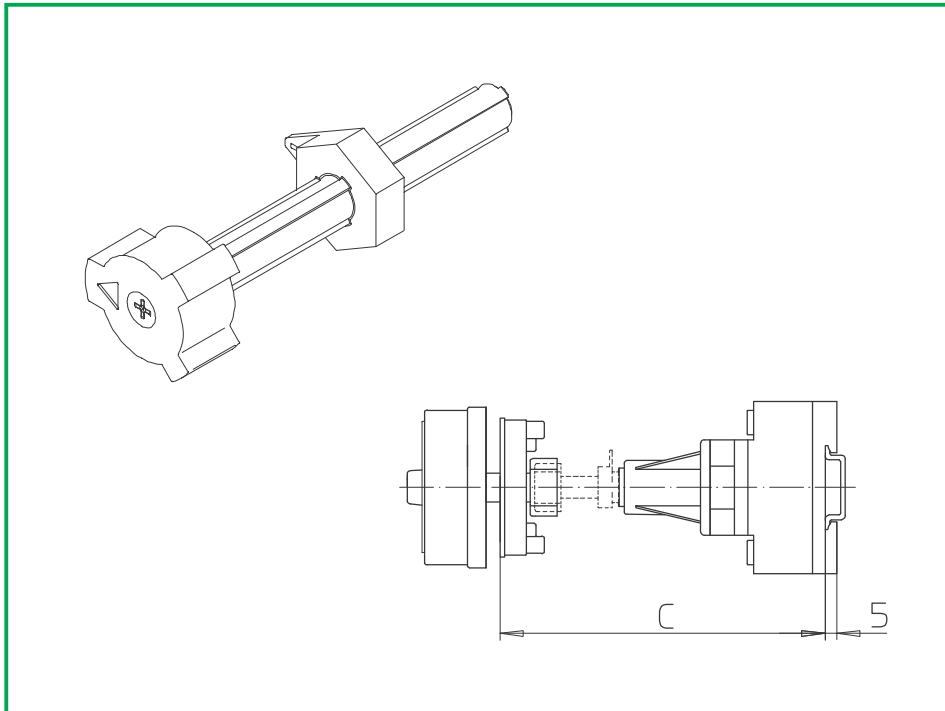
| SMD modules for basic switch A02   |  |  |  |            |  |  |
|--|--|--|--|------------|--|--|
| Mounting form module for 484V.   |  |  |  | B200-A/ -D |  | <b>BFB2 - 482</b>  |
| V-operator module 64 x 64 mm, mounting form 484V1<br>Escutcheon black, handle black<br>Legend plate silver, operator module 484V1                                  |  |  |  |            |  | <b>4AV1 - 09</b><br><b>FAS4 - 9078</b>                       |
| V-operator module 64 x 64 mm, mounting form 484V4<br>Escutcheon black, handle red<br>Legend plate yellow, operator module 484V4<br>Additional top escutcheon plate |  |  |  |            |  | <b>4AV4 - 09</b><br><b>FBS4 - 9078</b><br><b>FAZ2 - 8041</b> |

| Dimensions (mm) |    |     |     |     |    |    |    |    |    |
|-----------------|----|-----|-----|-----|----|----|----|----|----|
| Product lines   | A  | B   | B1  | B2  | C1 | D1 | D2 | E  | H  |
| B200-A          | 64 | 50  | 69  | 88  | 39 | 15 | 5  | 48 | 72 |
| B200-D          | 64 | 100 | 119 | 138 | 39 | 15 | 5  | 48 | 72 |

C<sup>1)</sup> Internal depth, inside of door to top of DIN rail. Metal shaft is not included. Please order separately. See page B8-11.



# Metal shaft extension



**Product lines**  
B200-A/ -D/ -E

**Base mounting switch**

**Door interlock**  
Metal shaft extension

**Four hole mounting**  
front

**AVB8 - . . .**

**Metal shaft extension for use with door interlock and four hole mounting front**

Dimension C (internal depth, inside of door to top of DIN rail)

| B200-A           | B200-D/ -E       | Order code number |
|------------------|------------------|-------------------|
| 140 . . . 164 mm | 152 . . . 176 mm | AVB8 - 065        |
| 165 . . . 189 mm | 177 . . . 201 mm | AVB8 - 090        |
| 190 . . . 214 mm | 202 . . . 226 mm | AVB8 - 115        |
| 215 . . . 239 mm | 227 . . . 251 mm | AVB8 - 140        |
| 240 . . . 264 mm | 252 . . . 276 mm | AVB8 - 165        |
| 265 . . . 289 mm | 277 . . . 301 mm | AVB8 - 190        |
| 290 . . . 314 mm | 302 . . . 326 mm | AVB8 - 215        |
| 315 . . . 339 mm | 327 . . . 351 mm | AVB8 - 240        |
| 340 . . . 364 mm | 352 . . . 376 mm | AVB8 - 265        |
| 365 . . . 389 mm | 377 . . . 401 mm | AVB8 - 290        |
| 390 . . . 414 mm | 402 . . . 426 mm | AVB8 - 315        |
| 415 . . . 439 mm | 427 . . . 451 mm | AVB8 - 340        |
| 440 . . . 464 mm | 452 . . . 476 mm | AVB8 - 365        |
| 465 . . . 489 mm | 477 . . . 501 mm | AVB8 - 390        |
| 490 . . . 514 mm | 502 . . . 526 mm | AVB8 - 415        |
| 515 . . . 539 mm | 527 . . . 551 mm | AVB8 - 440        |
| 540 . . . 564 mm | 552 . . . 576 mm | AVB8 - 465        |
| 565 . . . 589 mm | 577 . . . 601 mm | AVB8 - 490        |
| 590 . . . 614 mm | 602 . . . 626 mm | AVB8 - 515        |
| 615 . . . 639 mm | 627 . . . 651 mm | AVB8 - 540        |



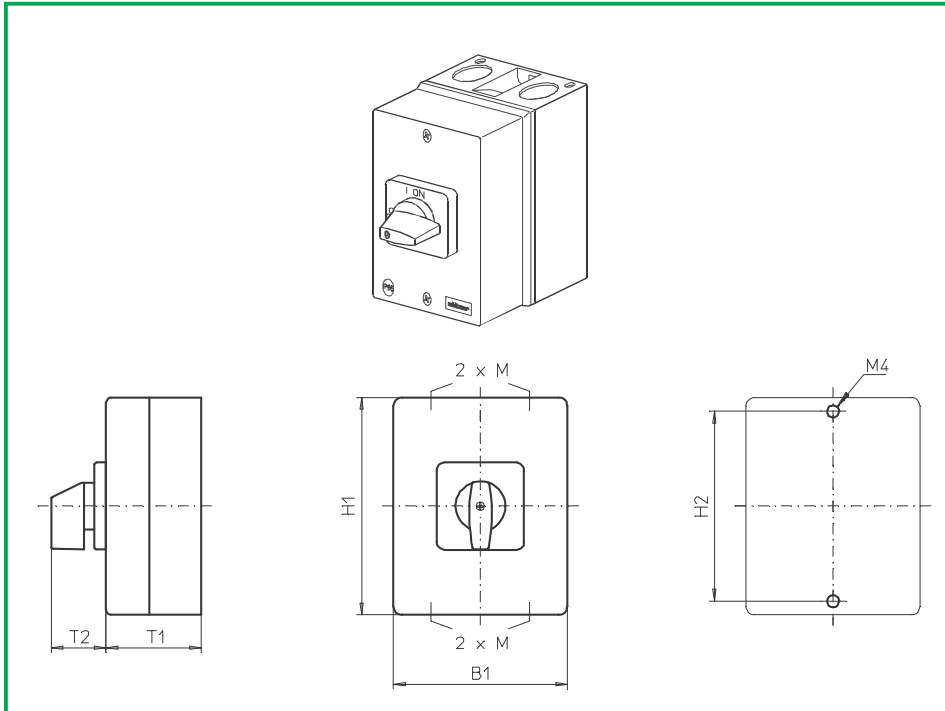
## Section C

|                                   | Page        |              |
|-----------------------------------|-------------|--------------|
|                                   | from        | to           |
| <b>Insulated enclosures</b>       | <b>C1-1</b> | <b>C1-36</b> |
| <b>Mild steel enclosures</b>      | <b>C2-1</b> | <b>C2-20</b> |
| <b>Stainless steel enclosures</b> | <b>C3-1</b> | <b>C3-24</b> |
| <b>Switch modules</b>             | <b>C4-1</b> | <b>C4-3</b>  |

---

**Originator: Sälzer Electric GmbH · Product Data Management (PDM) · 09306 Rochlitz (Germany)**  
Copyright reserved by Sälzer Electric GmbH. This document replaces all previous issues.  
Valid until a new version is published. Changes and revisions reserved.

# Enclosed Switches



**Product line**  
**B200-A**

**Enclosed switch**

**Insulated enclosure**  
175 x 115 x 100 mm

With cover interlock  
in ON position

**Cable entries**  
4 x M20/M25

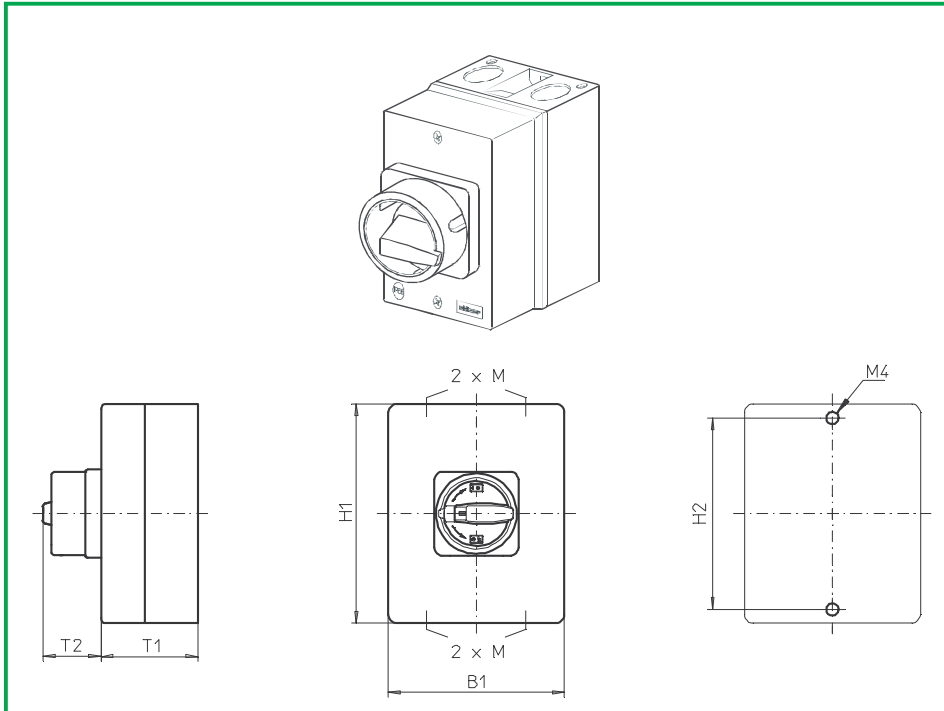
**711M1 (IP66)**

| Complete switch                        | Poles   | Product lines | Rated data (IEC 60947)             |                                |            | Order code number  |
|--|---------|---------------|------------------------------------|--------------------------------|------------|--|
|  |         |               | Operational current I <sub>e</sub> | Operational power at 380–440 V |            |  |
|  |         |               | AC-21A<br>A                        | AC-23A<br>kW                   | AC-3<br>kW |  |
| ON-OFF Switches<br>Switching angle 90° | 3 ... 4 | B200-A        | 50<br>63                           | 18,5<br>22                     | 15<br>18,5 | <b>B250 - 41 ... - 711M1</b><br><b>B263 - 41 ... - 711M1</b> |

| SMD modules for basic switch A02   |        |                                |
|--|--------|--------------------------------|
| Mounting form module for 711M1   | B200-A | <b>BFB2 - E7</b>               |
| Enclosure module, mounting form 711M1  |        | <b>PAH2 - 711M1</b>            |
| Legend plate silver, enclosure module 711M1  |        | <b>FAS4 - 9...</b> (FA number) |
| Remark to mounting form:<br>Terminal capacity max. 16 mm <sup>2</sup> on N-terminal and/or PE-terminal |        |                                |

| Dimensions (mm) |     |     |     |    |       |     |
|-----------------|-----|-----|-----|----|-------|-----|
| Product lines   | H1  | B1  | T1  | T2 | 2xM   | H2  |
| B200-A          | 175 | 115 | 100 | 39 | 20/25 | 165 |

# Enclosed Switches



**Product line**  
**B200-A**

**Enclosed switch**

**Insulated enclosure**  
175 x 115 x 100 mm

With cover interlock  
in ON position

**Cable entries**  
4 x M20/M25

**710M1 (IP66)**  
**710M4 (IP66)**

| Complete switch   | Poles   | Product lines | Rated data (IEC 60947)             |                                |            | Order code number  |
|---|---------|---------------|------------------------------------|--------------------------------|------------|--|
|   |         |               | Operational current I <sub>e</sub> | Operational power at 380–440 V |            |  |
|   |         |               | AC-21A<br>A                        | AC-23A<br>kW                   | AC-3<br>kW |  |
| Main Switches<br>OFF position padlockable 09h               | 3 ... 4 | B200-A        | 50<br>63                           | 18,5<br>22                     | 15<br>18,5 | <b>B250 - 41 ... - 710M1</b><br><b>B263 - 41 ... - 710M1</b> |
| Main/Emergency-Off Switches<br>OFF position padlockable 09h | 3 ... 4 | B200-A        | 50<br>63                           | 18,5<br>22                     | 15<br>18,5 | <b>B250 - 41 ... - 710M4</b><br><b>B263 - 41 ... - 710M4</b> |

### SMD modules for basic switch A02

Mounting form module for 710M1/ 710M4

B200-A

**BFB2 - E7**

Enclosure module, mounting form 710M1  
Enclosure module, mounting form 710M4

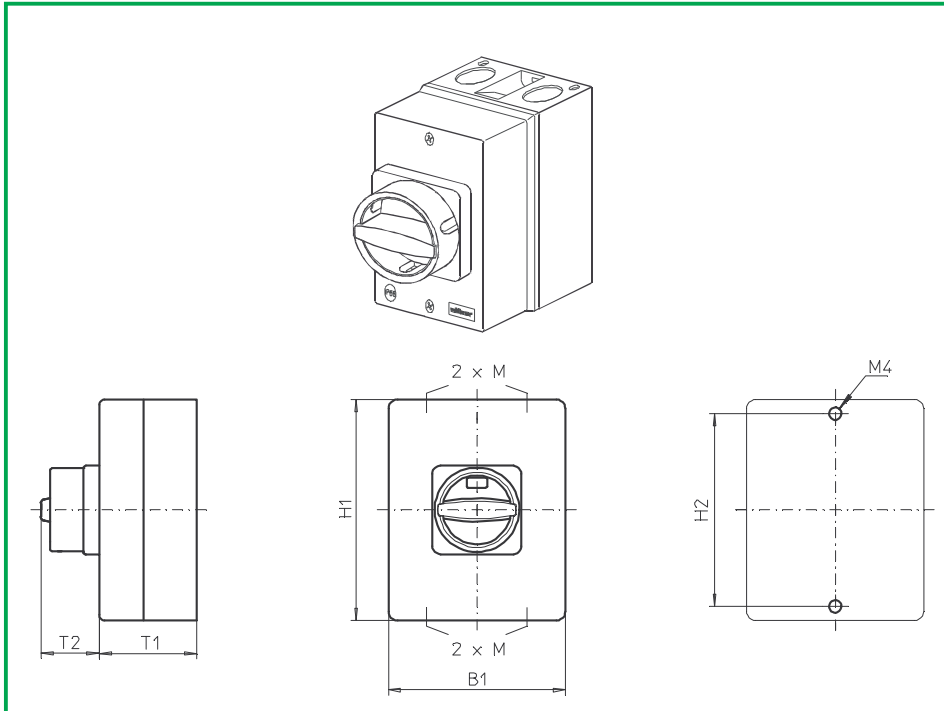
**PAH2 - 710M1**  
**PAH2 - 710M4**

Remark to mounting form:  
Terminal capacity max. 16 mm<sup>2</sup> on N-terminal and/or PE-terminal

### Dimensions (mm)

| Product lines | H1  | B1  | T1  | T2 | 2xM   | H2  |
|---------------|-----|-----|-----|----|-------|-----|
| B200-A        | 175 | 115 | 100 | 38 | 20/25 | 165 |

# Enclosed Switches



**Product line**  
**B200-A**

**Enclosed switch**

**Insulated enclosure**  
175 x 115 x 100 mm

With cover interlock  
in ON position

**Cable entries**  
4 x M20/M25

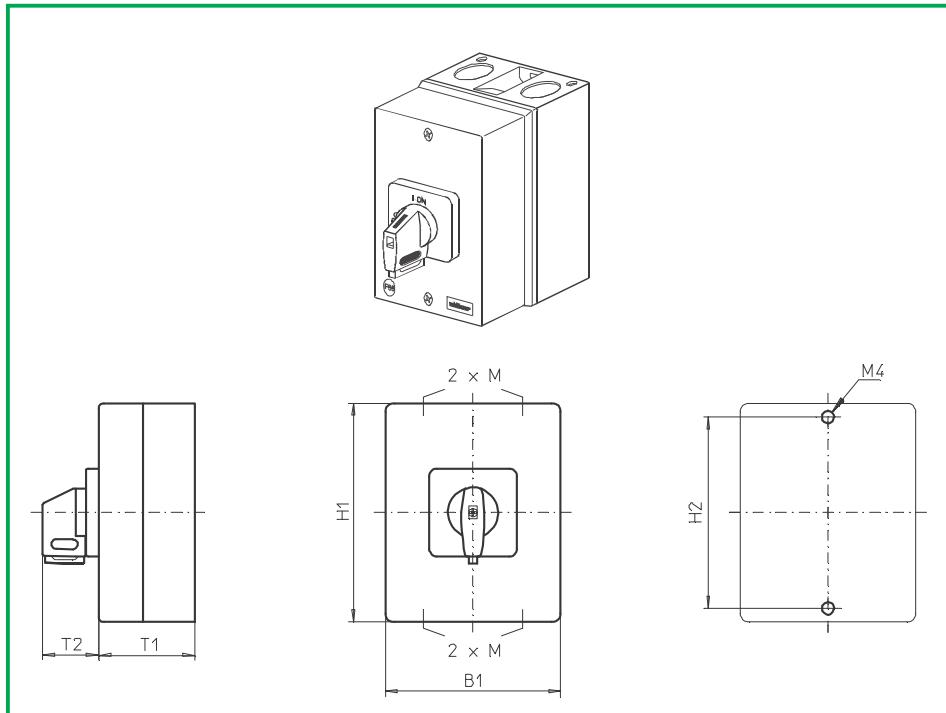
**710N1 (IP66)**  
**710N4 (IP66)**

| Complete switch   | Poles   | Product lines | Rated data (IEC 60947)             |                                |            | Order code number  |
|---|---------|---------------|------------------------------------|--------------------------------|------------|--|
|   |         |               | Operational current I <sub>e</sub> | Operational power at 380–440 V |            |  |
|   |         |               | AC-21A<br>A                        | AC-23A<br>kW                   | AC-3<br>kW |  |
| Main Switches<br>OFF position padlockable 09h               | 3 ... 4 | B200-A        | 50<br>63                           | 18,5<br>22                     | 15<br>18,5 | <b>B250 - 41 ... - 710N1</b><br><b>B263 - 41 ... - 710N1</b> |
| Main/Emergency-Off Switches<br>OFF position padlockable 09h | 3 ... 4 | B200-A        | 50<br>63                           | 18,5<br>22                     | 15<br>18,5 | <b>B250 - 41 ... - 710N4</b><br><b>B263 - 41 ... - 710N4</b> |

| SMD modules for basic switch A02   |  |  |  |        |  |                     |
|--|--|--|--|--------|--|---------------------|
| Mounting form module for 710N1/ 710N4  |  |  |  | B200-A |  | <b>BFB2 - E7</b>    |
| Enclosure module, mounting form 710N1  |  |  |  |        |  | <b>PAH2 - 710N1</b> |
| Enclosure module, mounting form 710N4  |  |  |  |        |  | <b>PAH2 - 710N4</b> |
| Remark to mounting form:<br>Terminal capacity max. 16 mm <sup>2</sup> on N-terminal and/or PE-terminal |  |  |  |        |  |                     |

| Dimensions (mm) |     |     |     |    |       |     |
|-----------------|-----|-----|-----|----|-------|-----|
| Product lines   | H1  | B1  | T1  | T2 | 2xM   | H2  |
| B200-A          | 175 | 115 | 100 | 33 | 20/25 | 165 |

# Enclosed Switches



**Product line**  
**B200-A**

**Enclosed switch**

**Insulated enclosure**  
175 x 115 x 100 mm

With cover interlock  
in ON position

**Cable entries**  
4 x M20/M25

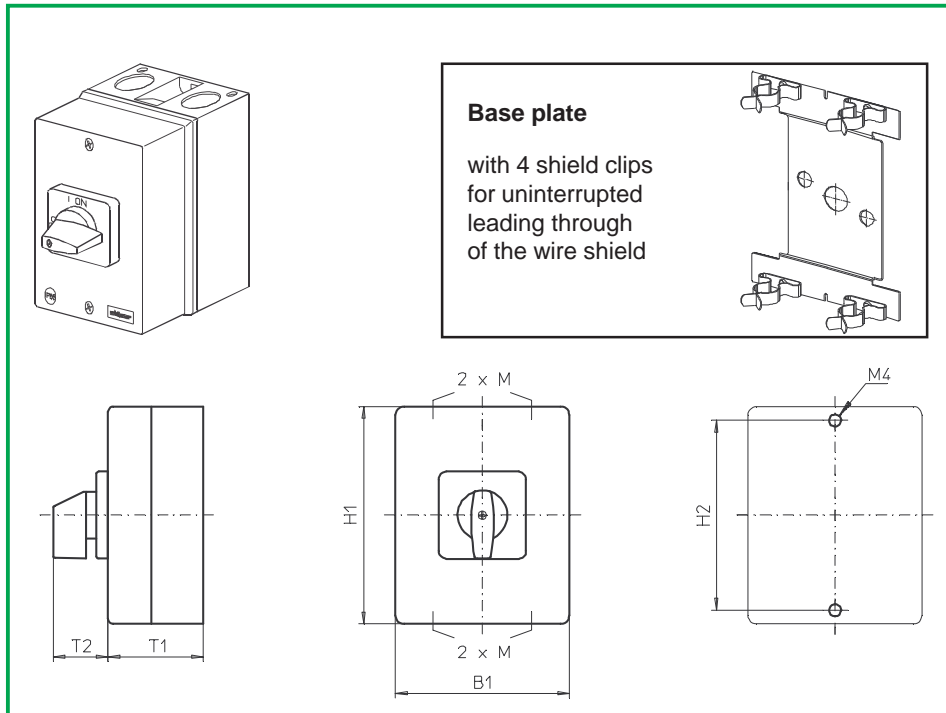
**710V1 (IP66)**  
**710V4 (IP66)**

| Complete switch   | Poles   | Product lines | Rated data (IEC 60947)             |                                |            | Order code number  |
|---|---------|---------------|------------------------------------|--------------------------------|------------|--|
|   |         |               | Operational current I <sub>e</sub> | Operational power at 380–440 V |            |  |
|   |         |               | AC-21A<br>A                        | AC-23A<br>kW                   | AC-3<br>kW |  |
| Main Switches<br>OFF position padlockable 09h               | 3 ... 4 | B200-A        | 50<br>63                           | 18,5<br>22                     | 15<br>18,5 | <b>B250 - 41 ... - 710V1</b><br><b>B263 - 41 ... - 710V1</b> |
| Main/Emergency-Off Switches<br>OFF position padlockable 09h | 3 ... 4 | B200-A        | 50<br>63                           | 18,5<br>22                     | 15<br>18,5 | <b>B250 - 41 ... - 710V4</b><br><b>B263 - 41 ... - 710V4</b> |

| SMD modules for basic switch A02   |  |  |  |        |  |                                |
|--|--|--|--|--------|--|--------------------------------|
| Mounting form module for 710V1/ 710V4  |  |  |  | B200-A |  | <b>BFB2 - E7</b>               |
| Enclosure module, mounting form 710V1  |  |  |  |        |  | <b>PAH2 - 710V1</b>            |
| Enclosure module, mounting form 710V4  |  |  |  |        |  | <b>PAH2 - 710V4</b>            |
| Legend plate silver, enclosure module 710V1  |  |  |  |        |  | <b>FAS4 - 9...</b> (FA number) |
| Legend plate yellow, enclosure module 710V4  |  |  |  |        |  | <b>FBS4 - 9...</b> (FA number) |
| Remark to mounting form:<br>Terminal capacity max. 16 mm <sup>2</sup> on N-terminal and/or PE-terminal |  |  |  |        |  |                                |

| Dimensions (mm) |     |     |     |    |       |     |
|-----------------|-----|-----|-----|----|-------|-----|
| Product lines   | H1  | B1  | T1  | T2 | 2xM   | H2  |
| B200-A          | 175 | 115 | 100 | 39 | 20/25 | 165 |

# Enclosed Switches



**Product line**  
**B200-A**

**Insulated enclosure**  
175 x 115 x 100 mm

With cover interlock  
in ON position

Uninterrupted leading  
through of the wire shield

**Cable entries**  
4 x M20/M25  
4 x SKL shield clip  
for shield diameter 12-16 mm

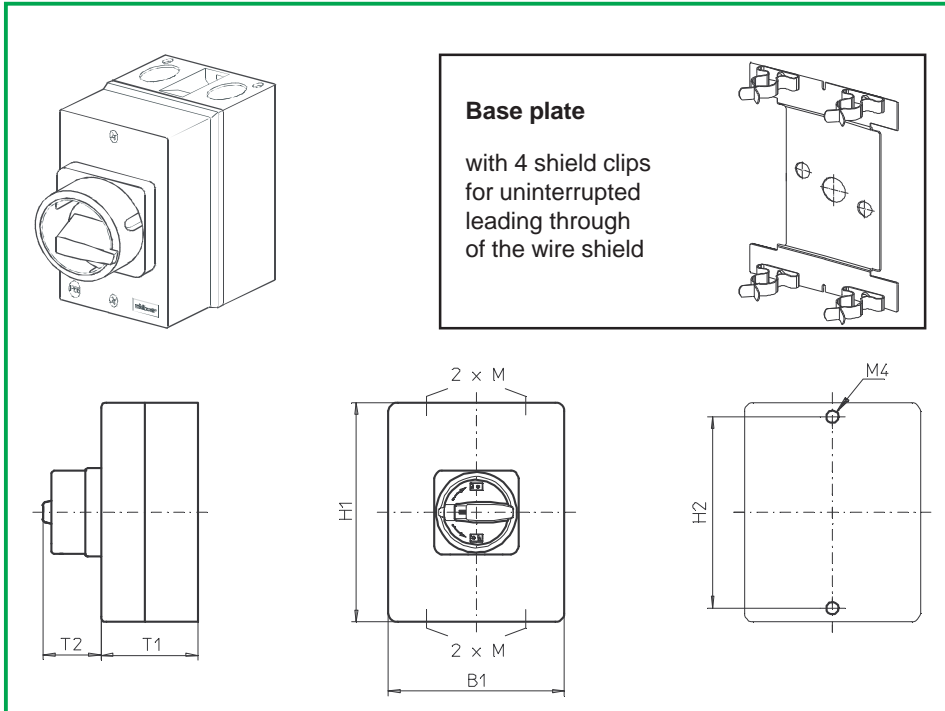
**716M1 (IP66)**

| Complete switch                        | Poles   | Product lines | Rated data (IEC 60947)             |                                |            | Order code number  |
|--|---------|---------------|------------------------------------|--------------------------------|------------|--|
|  |         |               | Operational current I <sub>e</sub> | Operational power at 380–440 V |            |  |
|  |         |               | AC-21A<br>A                        | AC-23A<br>kW                   | AC-3<br>kW |  |
| ON-OFF Switches<br>Switching angle 90° | 3 ... 4 | B200-A        | 50<br>63                           | 18,5<br>22                     | 15<br>18,5 | <b>B250 - 41 ... - 716M1</b><br><b>B263 - 41 ... - 716M1</b> |

| SMD modules for basic switch A02   |  |  |  |        |  |                                |
|--|--|--|--|--------|--|--------------------------------|
| Mounting form module for 716M1   |  |  |  | B200-A |  | <b>BFB2 - E7</b>               |
| Enclosure module, mounting form 716M1  |  |  |  |        |  | <b>PAH2 - 716M1</b>            |
| Legend plate silver, enclosure module 716M1  |  |  |  |        |  | <b>FAS4 - 9...</b> (FA number) |
| Remark to mounting form:<br>Terminal capacity max. 16 mm <sup>2</sup> on N-terminal and/or PE-terminal |  |  |  |        |  |                                |

| Dimensions (mm) |     |     |     |    |       |     |
|-----------------|-----|-----|-----|----|-------|-----|
| Product lines   | H1  | B1  | T1  | T2 | 2xM   | H2  |
| B200-A          | 175 | 115 | 100 | 39 | 20/25 | 165 |

# Enclosed Switches



## Product line B200-A

### Insulated enclosure 175 x 115 x 100 mm

With cover interlock  
in ON position

Uninterrupted leading  
through of the wire shield

### Cable entries

4 x M20/M25  
4 x SKL shield clip  
for shield diameter 12-16 mm

**715M1 (IP66)**

**715M4 (IP66)**

| Complete switch   | Poles   | Product lines | Rated data (IEC 60947)    |                                |            | Order code number  |
|---|---------|---------------|---------------------------|--------------------------------|------------|--|
|   |         |               | Operational current $I_e$ | Operational power at 380–440 V |            |  |
|   |         |               | AC-21A<br>A               | AC-23A<br>kW                   | AC-3<br>kW |  |
| Main Switches<br>OFF position padlockable 09h               | 3 ... 4 | B200-A        | 50<br>63                  | 18,5<br>22                     | 15<br>18,5 | <b>B250 - 41 ... - 715M1</b><br><b>B263 - 41 ... - 715M1</b> |
| Main/Emergency-Off Switches<br>OFF position padlockable 09h | 3 ... 4 | B200-A        | 50<br>63                  | 18,5<br>22                     | 15<br>18,5 | <b>B250 - 41 ... - 715M4</b><br><b>B263 - 41 ... - 715M4</b> |

### SMD modules for basic switch A02

Mounting form module for 715M1/ 715M4

B200-A

**BFB2 - E7**

Enclosure module, mounting form 715M1  
Enclosure module, mounting form 715M4

**PAH2 - 715M1**  
**PAH2 - 715M4**

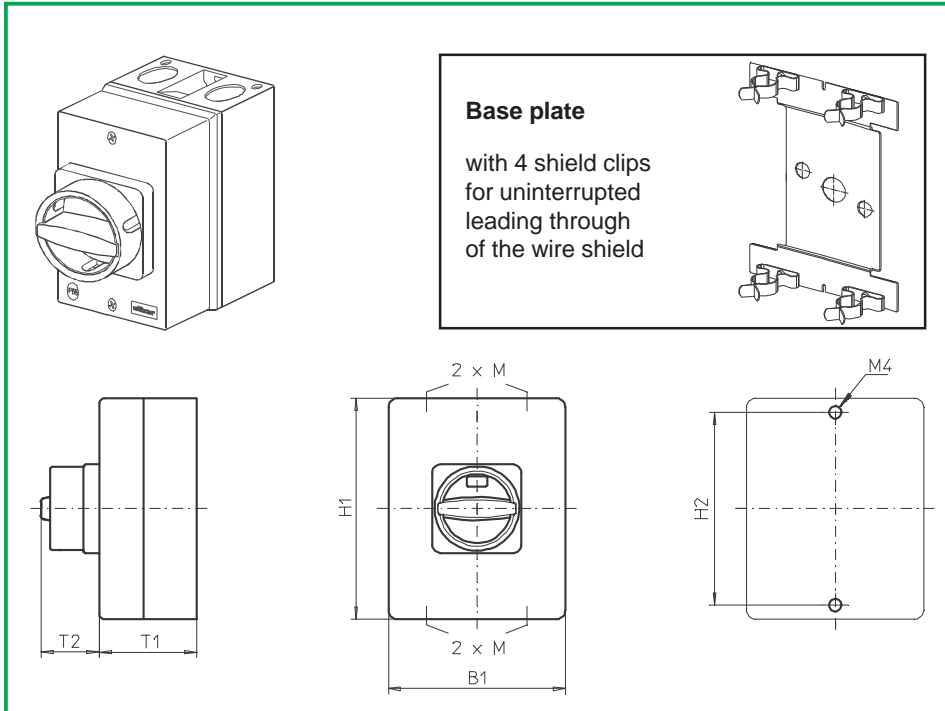
Remark to mounting form:  
Terminal capacity max. 16 mm<sup>2</sup> on N-terminal and/or PE-terminal

### Dimensions (mm)

| Product lines | H1  | B1  | T1  | T2 | 2xM   | H2  |
|---------------|-----|-----|-----|----|-------|-----|
| B200-A        | 175 | 115 | 100 | 38 | 20/25 | 165 |



# Enclosed Switches



## Product line B200-A

### Insulated enclosure 175 x 115 x 100 mm

With cover interlock  
in ON position

Uninterrupted leading  
through of the wire shield

### Cable entries

4 x M20/M25  
4 x SKL shield clip  
for shield diameter 12-16 mm

**715N1 (IP66)**

**715N4 (IP66)**

| Complete switch   | Poles   | Product lines | Rated data (IEC 60947)             |                                |            | Order code number  |
|---|---------|---------------|------------------------------------|--------------------------------|------------|--|
|   |         |               | Operational current I <sub>e</sub> | Operational power at 380–440 V |            |  |
|   |         |               | AC-21A<br>A                        | AC-23A<br>kW                   | AC-3<br>kW |  |
| Main Switches<br>OFF position padlockable 09h               | 3 ... 4 | B200-A        | 50<br>63                           | 18,5<br>22                     | 15<br>18,5 | <b>B250 - 41 ... - 715N1</b><br><b>B263 - 41 ... - 715N1</b> |
| Main/Emergency-Off Switches<br>OFF position padlockable 09h | 3 ... 4 | B200-A        | 50<br>63                           | 18,5<br>22                     | 15<br>18,5 | <b>B250 - 41 ... - 715N4</b><br><b>B263 - 41 ... - 715N4</b> |

### SMD modules for basic switch A02

Mounting form module for 715N1/ 715N4

B200-A

**BFB2 - E7**

Enclosure module, mounting form 715N1  
Enclosure module, mounting form 715N4

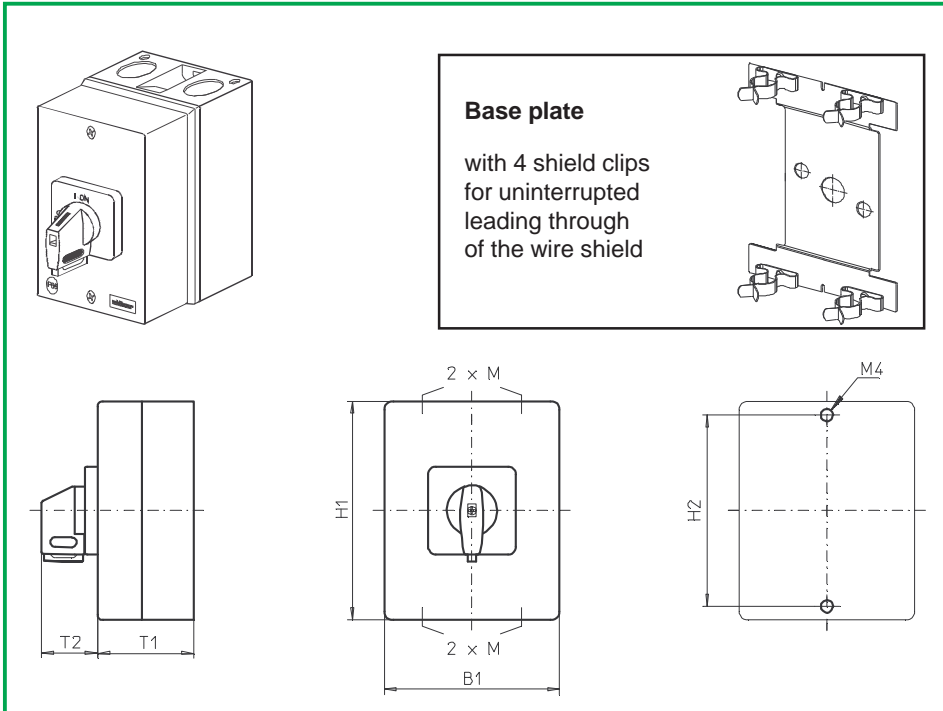
**PAH2 - 715N1**  
**PAH2 - 715N4**

Remark to mounting form:  
Terminal capacity max. 16 mm<sup>2</sup> on N-terminal and/or PE-terminal

### Dimensions (mm)

| Product lines | H1  | B1  | T1  | T2 | 2xM   | H2  |
|---------------|-----|-----|-----|----|-------|-----|
| B200-A        | 175 | 115 | 100 | 33 | 20/25 | 165 |

# Enclosed Switches



## Product line B200-A

### Insulated enclosure 175 x 115 x 100 mm

With cover interlock  
in ON position

Uninterrupted leading  
through of the wire shield

### Cable entries

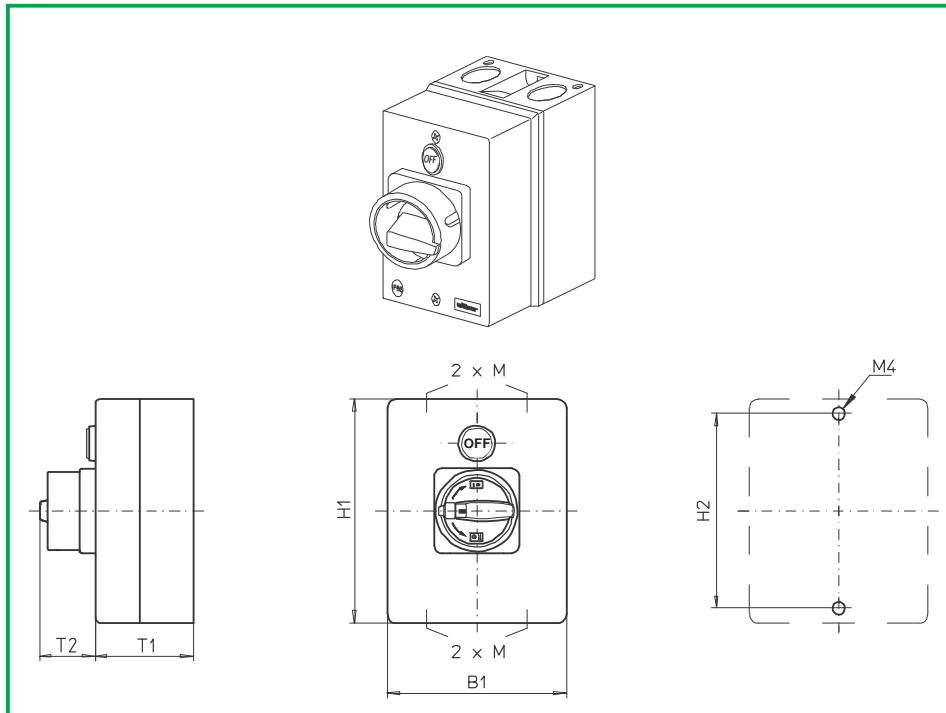
4 x M20/M25  
4 x SKL shield clip  
for shield diameter 12-16 mm

**715V1 (IP66)**

**715V4 (IP66)**

| Complete switch  | Poles     | Product lines | Rated data (IEC 60947)             |                                |            | Order code number  |
|--|-----------|---------------|------------------------------------|--------------------------------|------------|--|
|  |           |               | Operational current I <sub>e</sub> | Operational power at 380–440 V |            |  |
|  |           |               | AC-21A<br>A                        | AC-23A<br>kW                   | AC-3<br>kW |  |
| Main Switches<br>OFF position padlockable 09h  | 3 ... 4   | B200-A        | 50<br>63                           | 18,5<br>22                     | 15<br>18,5 | <b>B250 - 41 ... - 715V1</b><br><b>B263 - 41 ... - 715V1</b>     |
| Main/Emergency-Off Switches<br>OFF position padlockable 09h  | 3 ... 4   | B200-A        | 50<br>63                           | 18,5<br>22                     | 15<br>18,5 | <b>B250 - 41 ... - 715V4</b><br><b>B263 - 41 ... - 715V4</b>     |
| <b>SMD modules for basic switch A02</b>  |           |               |                                    |                                |            |  |
| Mounting form module for 715V1/ 715V4  |           |               | B200-A                             |                                |            | <b>BFB2 - E7</b>   |
| Enclosure module, mounting form 715V1<br>Enclosure module, mounting form 715V4                         |           |               |                                    |                                |            | <b>PAH2 - 715V1</b><br><b>PAH2 - 715V4</b>                       |
| Legend plate silver, enclosure module 715V1<br>Legend plate yellow, enclosure module 715V4             |           |               |                                    |                                |            | <b>FAS4 - 9...</b> (FA number)<br><b>FBS4 - 9...</b> (FA number) |
| Remark to mounting form:<br>Terminal capacity max. 16 mm <sup>2</sup> on N-terminal and/or PE-terminal |           |               |                                    |                                |            |  |
| <b>Dimensions (mm)</b>   |           |               |                                    |                                |            |  |
| <b>Product lines</b>   | <b>H1</b> | <b>B1</b>     | <b>T1</b>                          | <b>T2</b>                      | <b>2xM</b> | <b>H2</b>  |
| B200-A   | 175       | 115           | 100                                | 39                             | 20/25      | 165  |

# Enclosed Switches



**Product line  
B200-A**

**Enclosed switch**

**Insulated enclosure**

175 x 115 x 100 mm

With cover interlock  
in ON position

LED pilot light white  
"OFF", LED for 230 VAC

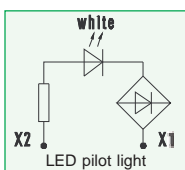
**Cable entries**

4 x M20/M25

**750M1 (IP66)**

**750M4 (IP66)**

| Complete switch   | Poles   | Product lines | Rated data (IEC 60947)    |                                |            | Order code number  |
|---|---------|---------------|---------------------------|--------------------------------|------------|--|
|   |         |               | Operational current $I_e$ | Operational power at 380–440 V |            |  |
|   |         |               | AC-21A<br>A               | AC-23A<br>kW                   | AC-3<br>kW |  |
| Main Switches<br>OFF position padlockable 09h               | 3 ... 4 | B200-A        | 50<br>63                  | 18,5<br>22                     | 15<br>18,5 | <b>B250 - 41 ... - 750M1</b><br><b>B263 - 41 ... - 750M1</b> |
| Main/Emergency-Off Switches<br>OFF position padlockable 09h | 3 ... 4 | B200-A        | 50<br>63                  | 18,5<br>22                     | 15<br>18,5 | <b>B250 - 41 ... - 750M4</b><br><b>B263 - 41 ... - 750M4</b> |



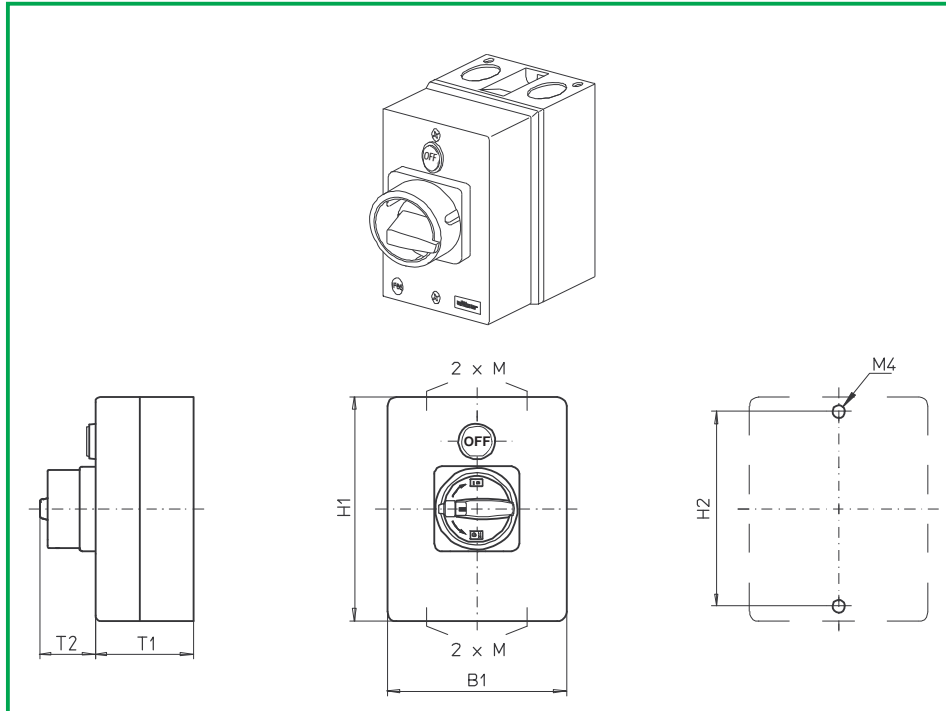
Note: For 3-pole switches use the switching programmes 41311, 41322 and 41331, for 4-pole switches use the switching programme 41411.  
The auxiliary contact 21-22 (1 n/c) is reserved for the LED pilot light showing the OFF position of the main contacts.

| SMD modules for basic switch A02      |  |        |                     |
|---------------------------------------|--|--------|---------------------|
| Mounting form module for 750M1/ 750M4 |  | B200-A | <b>BFB2 - E7</b>    |
| Enclosure module, mounting form 750M1 |  |        | <b>PAH2 - 750M1</b> |
| Enclosure module, mounting form 750M4 |  |        | <b>PAH2 - 750M4</b> |

Remark to mounting form:  
Terminal capacity max. 16 mm<sup>2</sup> on N-terminal and/or PE-terminal

| Dimensions (mm) |     |     |     |    |       |     |
|-----------------|-----|-----|-----|----|-------|-----|
| Product lines   | H1  | B1  | T1  | T2 | 2xM   | H2  |
| B200-A          | 175 | 115 | 100 | 38 | 20/25 | 165 |

# Enclosed Switches



**Product line**  
**B200-A**

**Enclosed switch**

**Insulated enclosure**  
175 x 115 x 100 mm

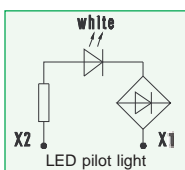
With cover interlock  
in ON position

LED pilot light white  
"OFF", LED for 230 VAC

**Cable entries**  
4 x M20/M25

**750M6 (IP66)**

| Complete switch                               | Poles   | Product lines | Rated data (IEC 60947)    |                                |            | Order code number  |
|---|---------|---------------|---------------------------|--------------------------------|------------|--|
|   |         |               | Operational current $I_e$ | Operational power at 380–440 V |            |  |
|   |         |               | AC-21A<br>A               | AC-23A<br>kW                   | AC-3<br>kW |  |
| Main Switches<br>OFF position padlockable 09h | 3 ... 4 | B200-A        | 50<br>63                  | 18,5<br>22                     | 15<br>18,5 | <b>B250 - 41 ... - 750M6</b><br><b>B263 - 41 ... - 750M6</b> |



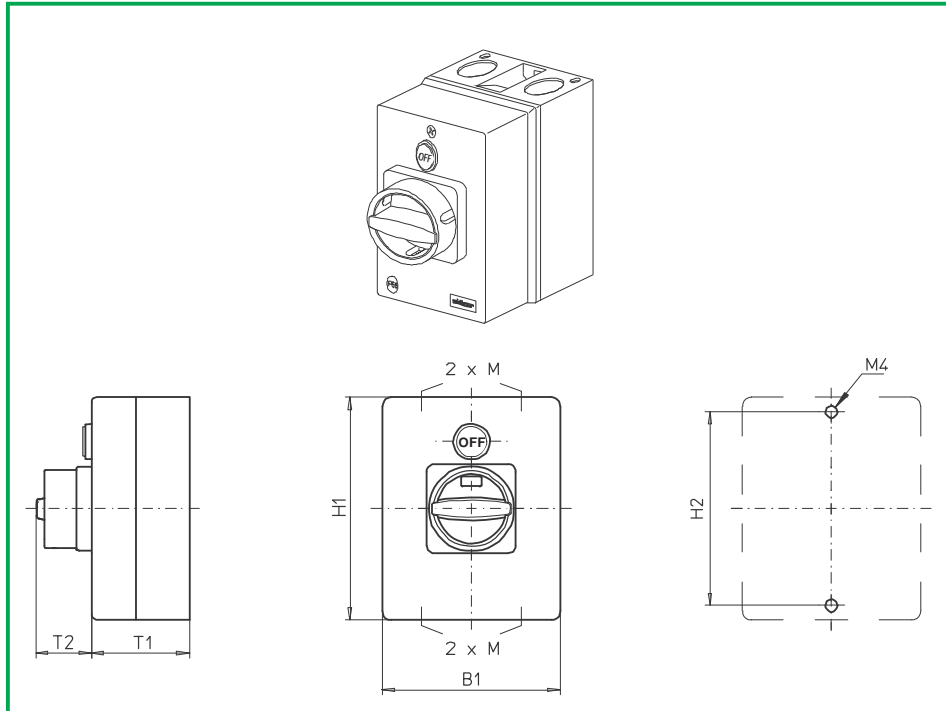
Note: For 3-pole switches use the switching programmes 41311, 41322 and 41331, for 4-pole switches use the switching programme 41411.  
The auxiliary contact 21-22 (1 n/c) is reserved for the LED pilot light showing the OFF position of the main contacts.

| SMD modules for basic switch A02   | Product lines | Order code number   |
|--|---------------|---------------------|
| Mounting form module for 750M6   | B200-A        | <b>BFB2 - E7</b>    |
| Enclosure module, mounting form 750M6<br>Escutcheon grey, padlockable handle black |               | <b>PAH2 - 750M6</b> |

Remark to mounting form:  
Terminal capacity max. 16 mm<sup>2</sup> on N-terminal and/or PE-terminal

| Dimensions (mm) |     |     |     |    |       |     |
|-----------------|-----|-----|-----|----|-------|-----|
| Product lines   | H1  | B1  | T1  | T2 | 2xM   | H2  |
| B200-A          | 175 | 115 | 100 | 38 | 20/25 | 165 |

# Enclosed Switches



**Product line  
B200-A**

**Enclosed switch**

**Insulated enclosure**

175 x 115 x 100 mm

With cover interlock  
in ON position

LED pilot light white  
"OFF", LED for 230 VAC

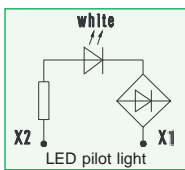
**Cable entries**

4 x M20/M25

**750N1 (IP66)**

**750N4 (IP66)**

| Complete switch   | Poles   | Product lines | Rated data (IEC 60947)    |                                |            | Order code number  |
|---|---------|---------------|---------------------------|--------------------------------|------------|--|
|   |         |               | Operational current $I_e$ | Operational power at 380–440 V |            |  |
|   |         |               | AC-21A<br>A               | AC-23A<br>kW                   | AC-3<br>kW |  |
| Main Switches<br>OFF position padlockable 09h               | 3 ... 4 | B200-A        | 50<br>63                  | 18,5<br>22                     | 15<br>18,5 | <b>B250 - 41 ... - 750N1</b><br><b>B263 - 41 ... - 750N1</b> |
| Main/Emergency-Off Switches<br>OFF position padlockable 09h | 3 ... 4 | B200-A        | 50<br>63                  | 18,5<br>22                     | 15<br>18,5 | <b>B250 - 41 ... - 750N4</b><br><b>B263 - 41 ... - 750N4</b> |



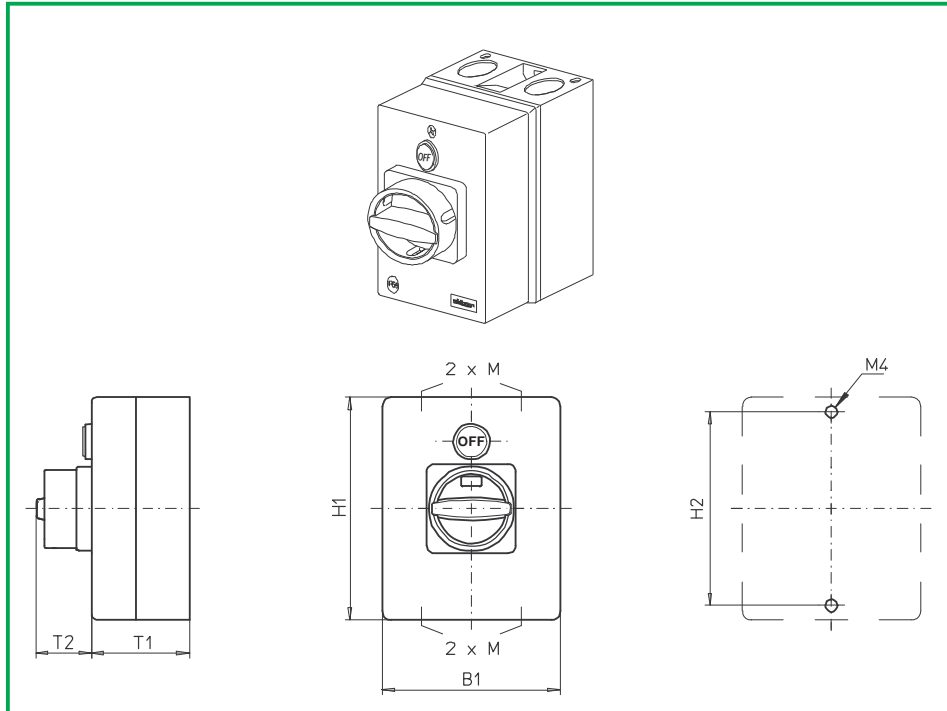
Note: For 3-pole switches use the switching programmes 41311, 41322 and 41331, for 4-pole switches use the switching programme 41411.  
The auxiliary contact 21-22 (1 n/c) is reserved for the LED pilot light showing the OFF position of the main contacts.

| SMD modules for basic switch A02      |  |        |                     |
|---------------------------------------|--|--------|---------------------|
| Mounting form module for 750N1/ 750N4 |  | B200-A | <b>BFB2 - E7</b>    |
| Enclosure module, mounting form 750N1 |  |        | <b>PAH2 - 750N1</b> |
| Enclosure module, mounting form 750N4 |  |        | <b>PAH2 - 750N4</b> |

Remark to mounting form:  
Terminal capacity max. 16 mm<sup>2</sup> on N-terminal and/or PE-terminal

| Dimensions (mm) |     |     |     |    |       |     |
|-----------------|-----|-----|-----|----|-------|-----|
| Product lines   | H1  | B1  | T1  | T2 | 2xM   | H2  |
| B200-A          | 175 | 115 | 100 | 33 | 20/25 | 165 |

# Enclosed Switches



**Product line  
B200-A**

**Enclosed switch**

**Insulated enclosure**

175 x 115 x 100 mm

With cover interlock  
in ON position

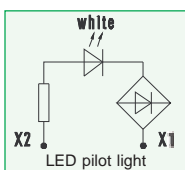
LED pilot light white  
"OFF", LED for 230 VAC

**Cable entries**

4 x M20/M25

**750N6 (IP66)**

| Complete switch              | Poles   | Product lines | Rated data (IEC 60947)    |                                |            | Order code number            |
|------------------------------|---------|---------------|---------------------------|--------------------------------|------------|------------------------------|
|                              |         |               | Operational current $I_e$ | Operational power at 380–440 V |            |                              |
|                              |         |               | AC-21A<br>A               | AC-23A<br>kW                   | AC-3<br>kW |                              |
| Main Switches                | 3 ... 4 | B200-A        | 50                        | 18,5                           | 15         | <b>B250 - 41 ... - 750N6</b> |
| OFF position padlockable 09h |         |               | 63                        | 22                             | 18,5       | <b>B263 - 41 ... - 750N6</b> |

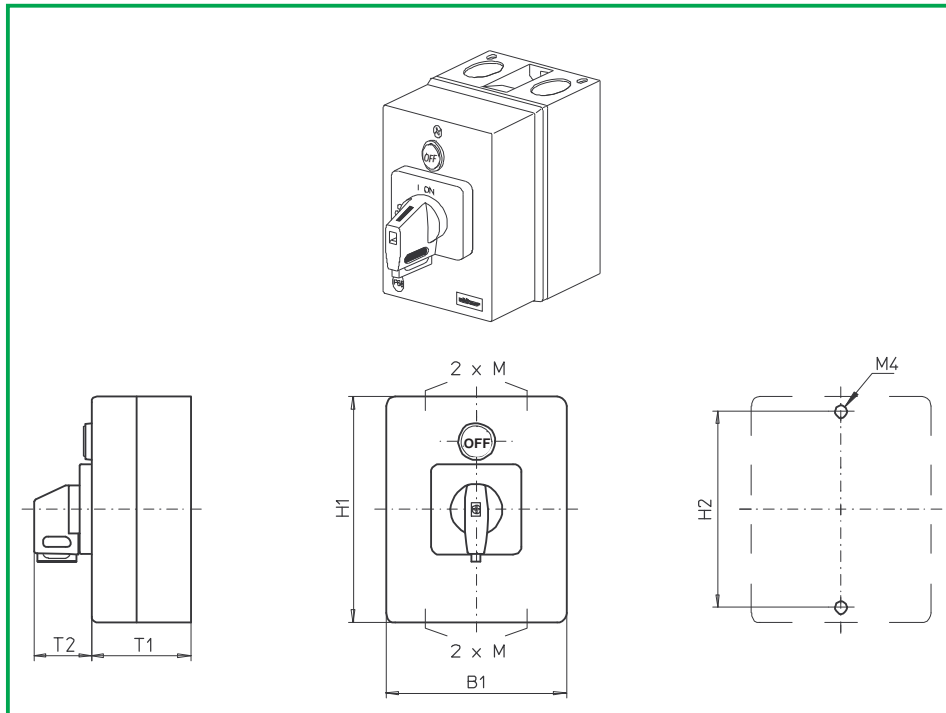


Note: For 3-pole switches use the switching programmes 41311, 41322 and 41331, for 4-pole switches use the switching programme 41411.  
The auxiliary contact 21-22 (1 n/c) is reserved for the LED pilot light showing the OFF position of the main contacts.

| SMD modules for basic switch A02   |  |        |                     |
|--|--|--------|---------------------|
| Mounting form module for 750N6   |  | B200-A | <b>BFB2 - E7</b>    |
| Enclosure module, mounting form 750N6<br>Escutcheon grey, padlockable handle black                     |  |        | <b>PAH2 - 750N6</b> |
| Remark to mounting form:<br>Terminal capacity max. 16 mm <sup>2</sup> on N-terminal and/or PE-terminal |  |        |                     |

| Dimensions (mm) |     |     |     |    |       |     |
|-----------------|-----|-----|-----|----|-------|-----|
| Product lines   | H1  | B1  | T1  | T2 | 2xM   | H2  |
| B200-A          | 175 | 115 | 100 | 33 | 20/25 | 165 |

# Enclosed Switches



**Product line  
B200-A**

**Enclosed switch**

**Insulated enclosure**

175 x 115 x 100 mm

With cover interlock  
in ON position

LED pilot light white  
"OFF", LED for 230 VAC

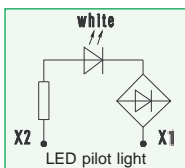
**Cable entries**

4 x M20/M25

**750V1 (IP66)**

**750V4 (IP66)**

| Complete switch   | Poles   | Product lines | Rated data (IEC 60947)    |                                |            | Order code number  |
|---|---------|---------------|---------------------------|--------------------------------|------------|--|
|   |         |               | Operational current $I_e$ | Operational power at 380–440 V |            |  |
|   |         |               | AC-21A<br>A               | AC-23A<br>kW                   | AC-3<br>kW |  |
| Main Switches<br>OFF position padlockable 09h               | 3 ... 4 | B200-A        | 50<br>63                  | 18,5<br>22                     | 15<br>18,5 | <b>B250 - 41 ... - 750V1</b><br><b>B263 - 41 ... - 750V1</b> |
| Main/Emergency-Off Switches<br>OFF position padlockable 09h | 3 ... 4 | B200-A        | 50<br>63                  | 18,5<br>22                     | 15<br>18,5 | <b>B250 - 41 ... - 750V4</b><br><b>B263 - 41 ... - 750V4</b> |

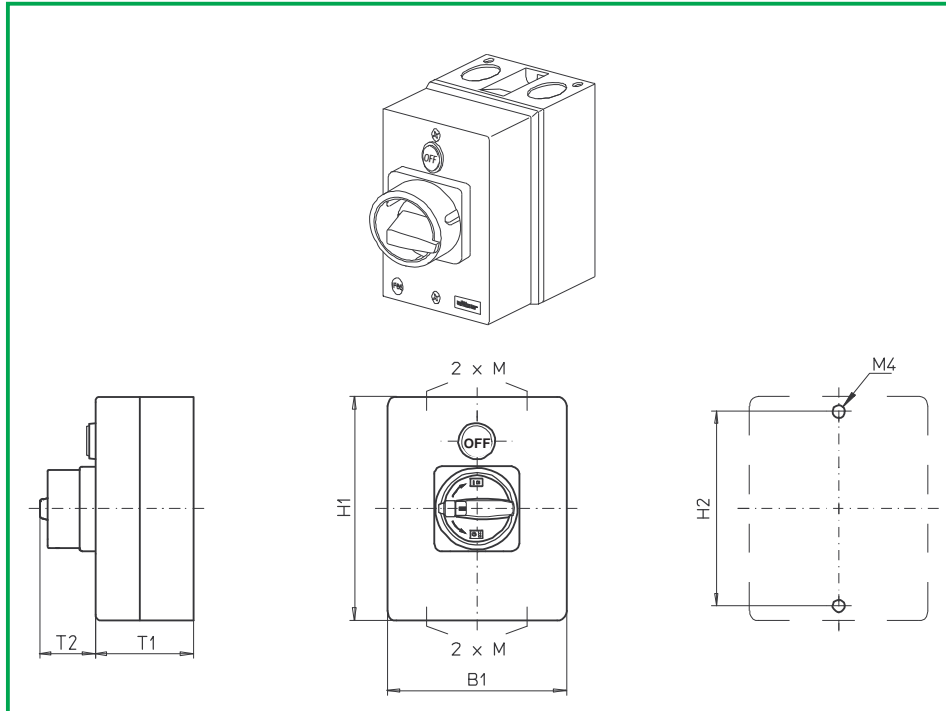


Note: For 3-pole switches use the switching programmes 41311, 41322 and 41331, for 4-pole switches use the switching programme 41411.  
The auxiliary contact 21-22 (1 n/c) is reserved for the LED pilot light showing the OFF position of the main contacts.

| SMD modules for basic switch A02   |        |                                |
|--|--------|--------------------------------|
| Mounting form module for 750V1/ 750V4  | B200-A | <b>BFB2 - E7</b>               |
| Enclosure module, mounting form 750V1  |        | <b>PAH2 - 750V1</b>            |
| Enclosure module, mounting form 750V4  |        | <b>PAH2 - 750V4</b>            |
| Legend plate silver, enclosure module 750V1  |        | <b>FAS4 - 9...</b> (FA number) |
| Legend plate yellow, enclosure module 750V4  |        | <b>FBS4 - 9...</b> (FA number) |
| Remark to mounting form:<br>Terminal capacity max. 16 mm <sup>2</sup> on N-terminal and/or PE-terminal |        |                                |

| Dimensions (mm) |     |     |     |    |       |     |
|-----------------|-----|-----|-----|----|-------|-----|
| Product lines   | H1  | B1  | T1  | T2 | 2xM   | H2  |
| B200-A          | 175 | 115 | 100 | 39 | 20/25 | 165 |

# Enclosed Switches



**Product line  
B200-A**

**Enclosed switch**

**Insulated enclosure**  
175 x 115 x 100 mm

With cover interlock  
in ON position

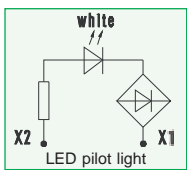
LED pilot light white  
"OFF", LED for 24 VDC

**Cable entries**  
4 x M20/M25

**755M1 (IP66)**

**755M4 (IP66)**

| Complete switch   | Poles   | Product lines | Rated data (IEC 60947)             |                                |            | Order code number  |
|---|---------|---------------|------------------------------------|--------------------------------|------------|--|
|   |         |               | Operational current I <sub>e</sub> | Operational power at 380–440 V |            |  |
|   |         |               | AC-21A<br>A                        | AC-23A<br>kW                   | AC-3<br>kW |  |
| Main Switches<br>OFF position padlockable 09h               | 3 ... 4 | B200-A        | 50<br>63                           | 18,5<br>22                     | 15<br>18,5 | <b>B250 - 41 ... - 755M1</b><br><b>B263 - 41 ... - 755M1</b> |
| Main/Emergency-Off Switches<br>OFF position padlockable 09h | 3 ... 4 | B200-A        | 50<br>63                           | 18,5<br>22                     | 15<br>18,5 | <b>B250 - 41 ... - 755M4</b><br><b>B263 - 41 ... - 755M4</b> |



Note: For 3-pole switches use the switching programmes 41311, 41322 and 41331, for 4-pole switches use the switching programme 41411.  
The auxiliary contact 21-22 (1 n/c) is reserved for the LED pilot light showing the OFF position of the main contacts.

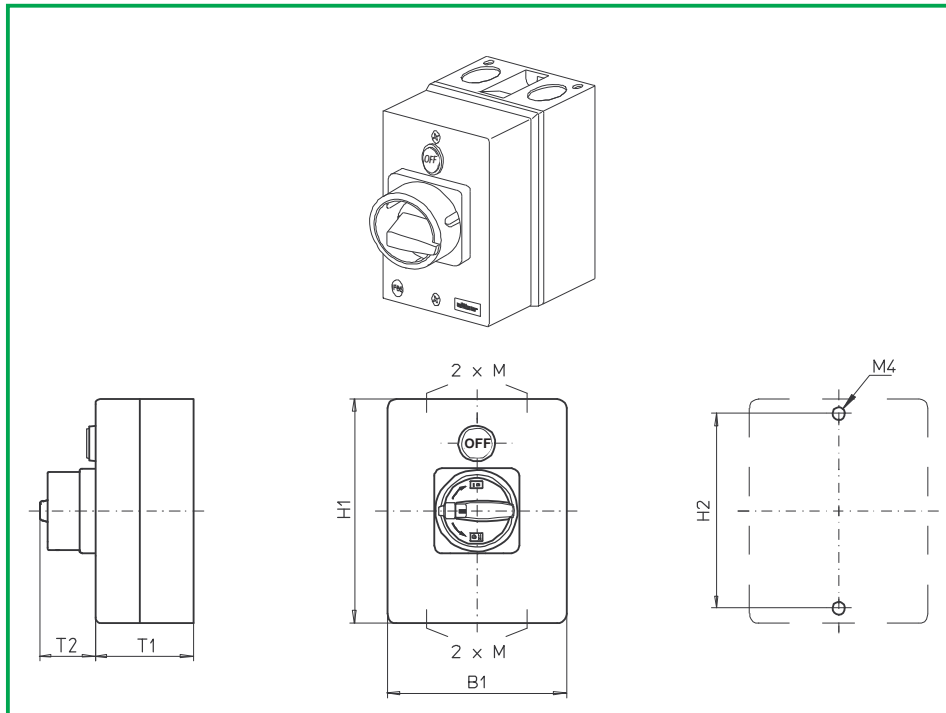
| SMD modules for basic switch A02      |  |        |                     |
|---------------------------------------|--|--------|---------------------|
| Mounting form module for 755M1/ 755M4 |  | B200-A | <b>BFB2 - E7</b>    |
| Enclosure module, mounting form 755M1 |  |        | <b>PAH2 - 755M1</b> |
| Enclosure module, mounting form 755M4 |  |        | <b>PAH2 - 755M4</b> |

Remark to mounting form:  
Terminal capacity max. 16 mm<sup>2</sup> on N-terminal and/or PE-terminal

| Dimensions (mm) |     |     |     |    |       |     |
|-----------------|-----|-----|-----|----|-------|-----|
| Product lines   | H1  | B1  | T1  | T2 | 2xM   | H2  |
| B200-A          | 175 | 115 | 100 | 38 | 20/25 | 165 |



# Enclosed Switches



**Product line  
B200-A**

**Enclosed switch**

**Insulated enclosure**

175 x 115 x 100 mm

With cover interlock  
in ON position

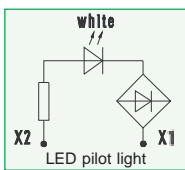
LED pilot light white  
"OFF", LED for 24 VDC

**Cable entries**

4 x M20/M25

**755M6 (IP66)**

| Complete switch                               | Poles   | Product lines | Rated data (IEC 60947)    |                                |            | Order code number  |
|---|---------|---------------|---------------------------|--------------------------------|------------|--|
|   |         |               | Operational current $I_e$ | Operational power at 380–440 V |            |  |
|   |         |               | AC-21A<br>A               | AC-23A<br>kW                   | AC-3<br>kW |  |
| Main Switches<br>OFF position padlockable 09h | 3 ... 4 | B200-A        | 50<br>63                  | 18,5<br>22                     | 15<br>18,5 | <b>B250 - 41 ... - 755M6</b><br><b>B263 - 41 ... - 755M6</b> |

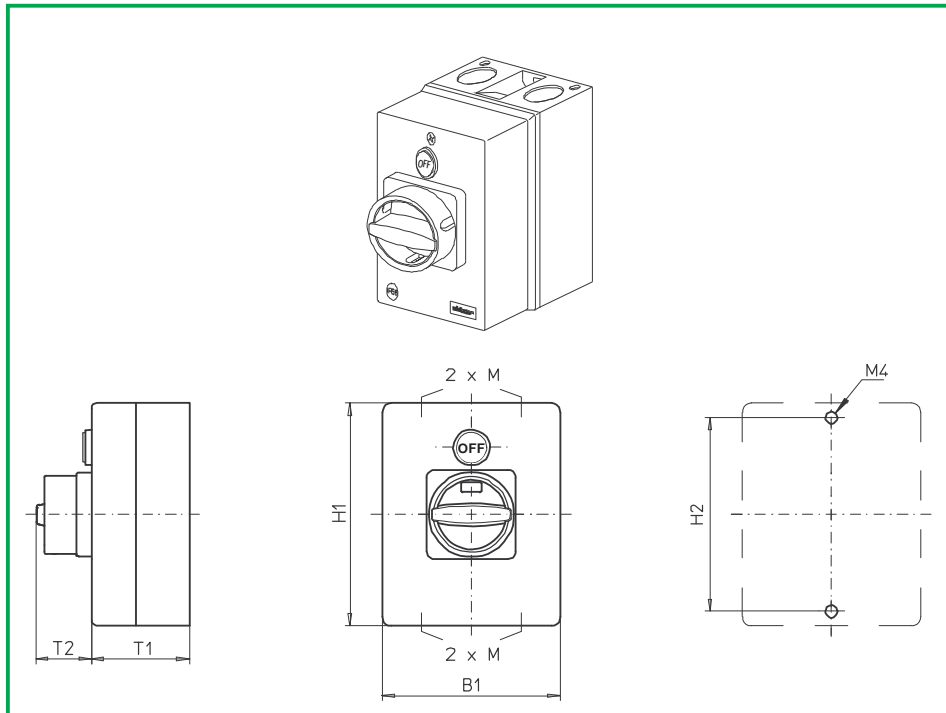


Note: For 3-pole switches use the switching programmes 41311, 41322 and 41331, for 4-pole switches use the switching programme 41411.  
The auxiliary contact 21-22 (1 n/c) is reserved for the LED pilot light showing the OFF position of the main contacts.

| SMD modules for basic switch A02   |  |        |                     |
|--|--|--------|---------------------|
| Mounting form module for 755M6   |  | B200-A | <b>BFB2 - E7</b>    |
| Enclosure module, mounting form 755M6<br>Escutcheon grey, padlockable handle black                     |  |        | <b>PAH2 - 755M6</b> |
| Remark to mounting form:<br>Terminal capacity max. 16 mm <sup>2</sup> on N-terminal and/or PE-terminal |  |        |                     |

| Dimensions (mm) |     |     |     |    |       |     |
|-----------------|-----|-----|-----|----|-------|-----|
| Product lines   | H1  | B1  | T1  | T2 | 2xM   | H2  |
| B200-A          | 175 | 115 | 100 | 38 | 20/25 | 165 |

# Enclosed Switches



**Product line**  
**B200-A**

**Enclosed switch**

**Insulated enclosure**  
175 x 115 x 100 mm

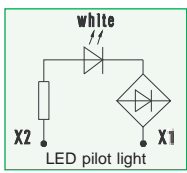
With cover interlock  
in ON position

LED pilot light white  
"OFF", LED for 24 VDC

**Cable entries**  
4 x M20/M25

**755N1 (IP66)**  
**755N4 (IP66)**

| Complete switch   | Poles   | Product lines | Rated data (IEC 60947)             |                                |            | Order code number  |
|---|---------|---------------|------------------------------------|--------------------------------|------------|--|
|   |         |               | Operational current I <sub>e</sub> | Operational power at 380–440 V |            |  |
|   |         |               | AC-21A<br>A                        | AC-23A<br>kW                   | AC-3<br>kW |  |
| Main Switches<br>OFF position padlockable 09h               | 3 ... 4 | B200-A        | 50<br>63                           | 18,5<br>22                     | 15<br>18,5 | <b>B250 - 41 ... - 755N1</b><br><b>B263 - 41 ... - 755N1</b> |
| Main/Emergency-Off Switches<br>OFF position padlockable 09h | 3 ... 4 | B200-A        | 50<br>63                           | 18,5<br>22                     | 15<br>18,5 | <b>B250 - 41 ... - 755N4</b><br><b>B263 - 41 ... - 755N4</b> |



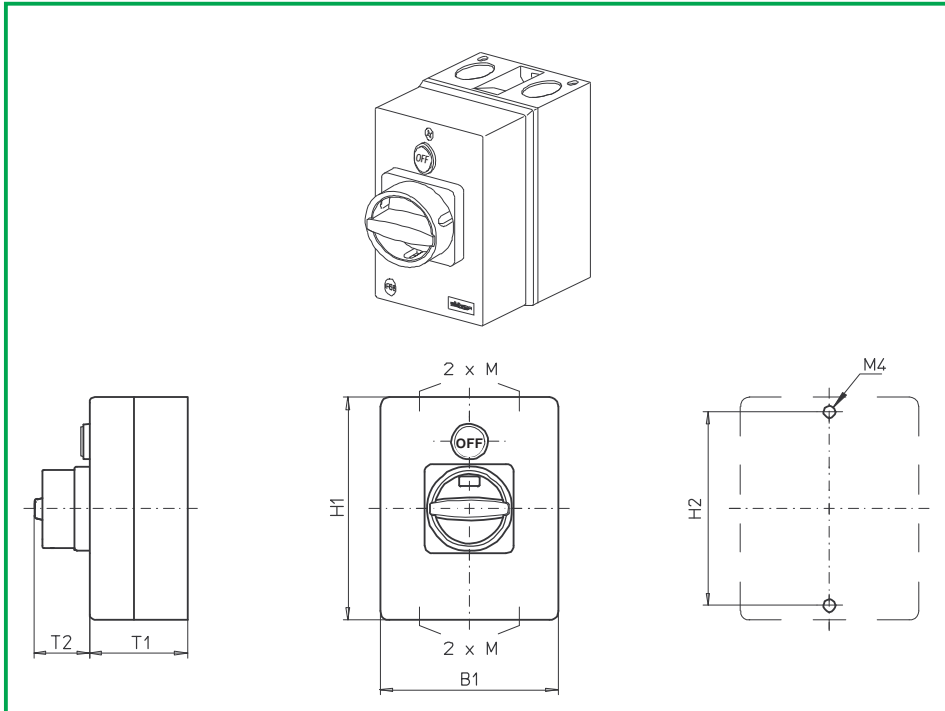
Note: For 3-pole switches use the switching programmes 41311, 41322 and 41331, for 4-pole switches use the switching programme 41411.  
The auxiliary contact 21-22 (1 n/c) is reserved for the LED pilot light showing the OFF position of the main contacts.

| SMD modules for basic switch A02      |  |        |                     |
|---------------------------------------|--|--------|---------------------|
| Mounting form module for 755N1/ 755N4 |  | B200-A | <b>BFB2 - E7</b>    |
| Enclosure module, mounting form 755N1 |  |        | <b>PAH2 - 755N1</b> |
| Enclosure module, mounting form 755N4 |  |        | <b>PAH2 - 755N4</b> |

Remark to mounting form:  
Terminal capacity max. 16 mm<sup>2</sup> on N-terminal and/or PE-terminal

| Dimensions (mm) |     |     |     |    |       |     |
|-----------------|-----|-----|-----|----|-------|-----|
| Product lines   | H1  | B1  | T1  | T2 | 2xM   | H2  |
| B200-A          | 175 | 115 | 100 | 33 | 20/25 | 165 |

# Enclosed Switches



**Product line  
B200-A**

**Enclosed switch**

**Insulated enclosure**  
175 x 115 x 100 mm

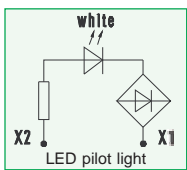
With cover interlock  
in ON position

LED pilot light white  
"OFF", LED for 24 VDC

**Cable entries**  
4 x M20/M25

**755N6 (IP66)**

| Complete switch              | Poles   | Product lines | Rated data (IEC 60947)    |                                |            | Order code number            |
|------------------------------|---------|---------------|---------------------------|--------------------------------|------------|------------------------------|
|                              |         |               | Operational current $I_e$ | Operational power at 380–440 V |            |                              |
|                              |         |               | AC-21A<br>A               | AC-23A<br>kW                   | AC-3<br>kW |                              |
| Main Switches                | 3 ... 4 | B200-A        | 50                        | 18,5                           | 15         | <b>B250 - 41 ... - 755N6</b> |
| OFF position padlockable 09h |         |               | 63                        | 22                             | 18,5       | <b>B263 - 41 ... - 755N6</b> |



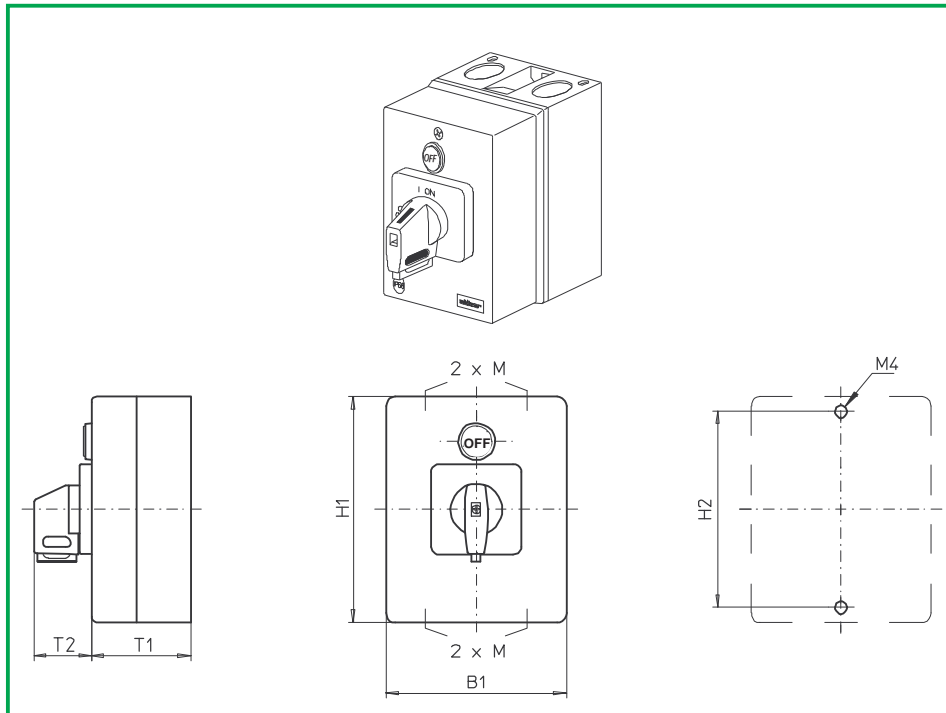
Note: For 3-pole switches use the switching programmes 41311, 41322 and 41331, for 4-pole switches use the switching programme 41411.  
The auxiliary contact 21-22 (1 n/c) is reserved for the LED pilot light showing the OFF position of the main contacts.

| SMD modules for basic switch A02   | Product lines | Order code number   |
|--|---------------|---------------------|
| Mounting form module for 755N6   | B200-A        | <b>BFB2 - E7</b>    |
| Enclosure module, mounting form 755N6<br>Escutcheon grey, padlockable handle black |               | <b>PAH2 - 755N6</b> |

Remark to mounting form:  
Terminal capacity max. 16 mm<sup>2</sup> on N-terminal and/or PE-terminal

| Dimensions (mm) |     |     |     |    |       |     |
|-----------------|-----|-----|-----|----|-------|-----|
| Product lines   | H1  | B1  | T1  | T2 | 2xM   | H2  |
| B200-A          | 175 | 115 | 100 | 33 | 20/25 | 165 |

# Enclosed Switches



**Product line  
B200-A**

**Enclosed switch**

**Insulated enclosure**

175 x 115 x 100 mm

With cover interlock  
in ON position

LED pilot light white  
"OFF", LED for 24 VDC

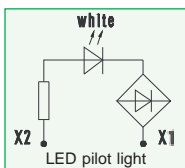
**Cable entries**

4 x M20/M25

**755V1 (IP66)**

**755V4 (IP66)**

| Complete switch   | Poles   | Product lines | Rated data (IEC 60947)    |                                |            | Order code number  |
|---|---------|---------------|---------------------------|--------------------------------|------------|--|
|   |         |               | Operational current $I_e$ | Operational power at 380–440 V |            |  |
|   |         |               | AC-21A<br>A               | AC-23A<br>kW                   | AC-3<br>kW |  |
| Main Switches<br>OFF position padlockable 09h               | 3 ... 4 | B200-A        | 50<br>63                  | 18,5<br>22                     | 15<br>18,5 | <b>B250 - 41 ... - 755V1</b><br><b>B263 - 41 ... - 755V1</b> |
| Main/Emergency-Off Switches<br>OFF position padlockable 09h | 3 ... 4 | B200-A        | 50<br>63                  | 18,5<br>22                     | 15<br>18,5 | <b>B250 - 41 ... - 755V4</b><br><b>B263 - 41 ... - 755V4</b> |

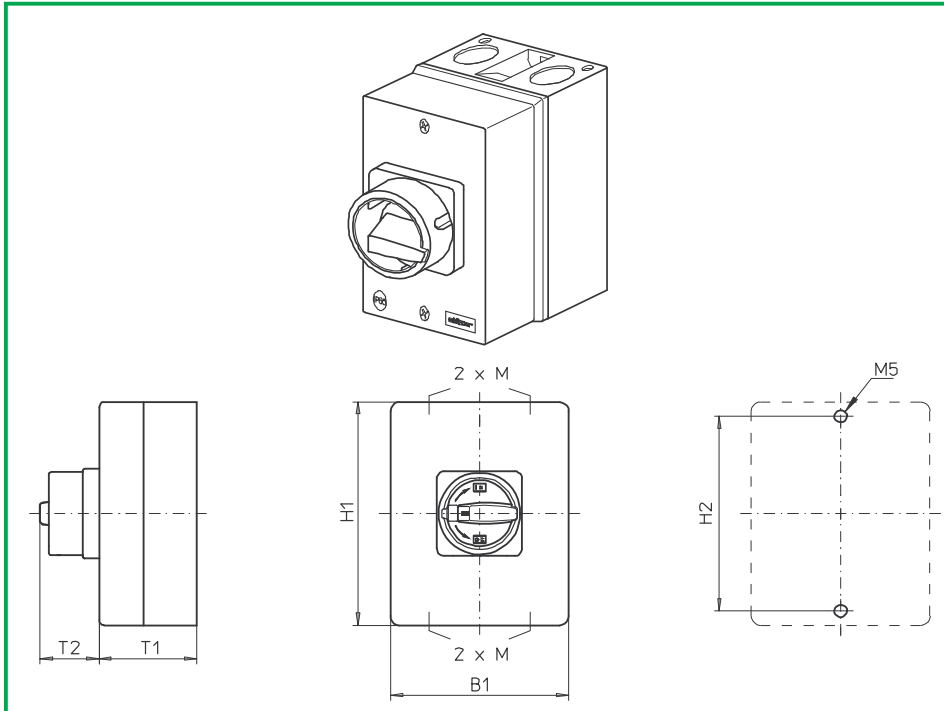


Note: For 3-pole switches use the switching programmes 41311, 41322 and 41331, for 4-pole switches use the switching programme 41411.  
The auxiliary contact 21-22 (1 n/c) is reserved for the LED pilot light showing the OFF position of the main contacts.

| SMD modules for basic switch A02   |        |                                |
|--|--------|--------------------------------|
| Mounting form module for 755V1/ 755V4  | B200-A | <b>BFB2 - E7</b>               |
| Enclosure module, mounting form 755V1  |        | <b>PAH2 - 755V1</b>            |
| Enclosure module, mounting form 755V4  |        | <b>PAH2 - 755V4</b>            |
| Legend plate silver, enclosure module 755V1  |        | <b>FAS4 - 9...</b> (FA number) |
| Legend plate yellow, enclosure module 755V4  |        | <b>FBS4 - 9...</b> (FA number) |
| Remark to mounting form:<br>Terminal capacity max. 16 mm <sup>2</sup> on N-terminal and/or PE-terminal |        |                                |

| Dimensions (mm) |     |     |     |    |       |     |
|-----------------|-----|-----|-----|----|-------|-----|
| Product lines   | H1  | B1  | T1  | T2 | 2xM   | H2  |
| B200-A          | 175 | 115 | 100 | 39 | 20/25 | 165 |

# Enclosed Switches



**Product line**  
**B200-A**

**Enclosed switch**

**Insulated enclosure**

250 x 160 x 120 mm

With cover interlock  
in ON position

with N/PE connection link

**Cable entries**

4 x M32/ M40

**730M1 (IP66)**

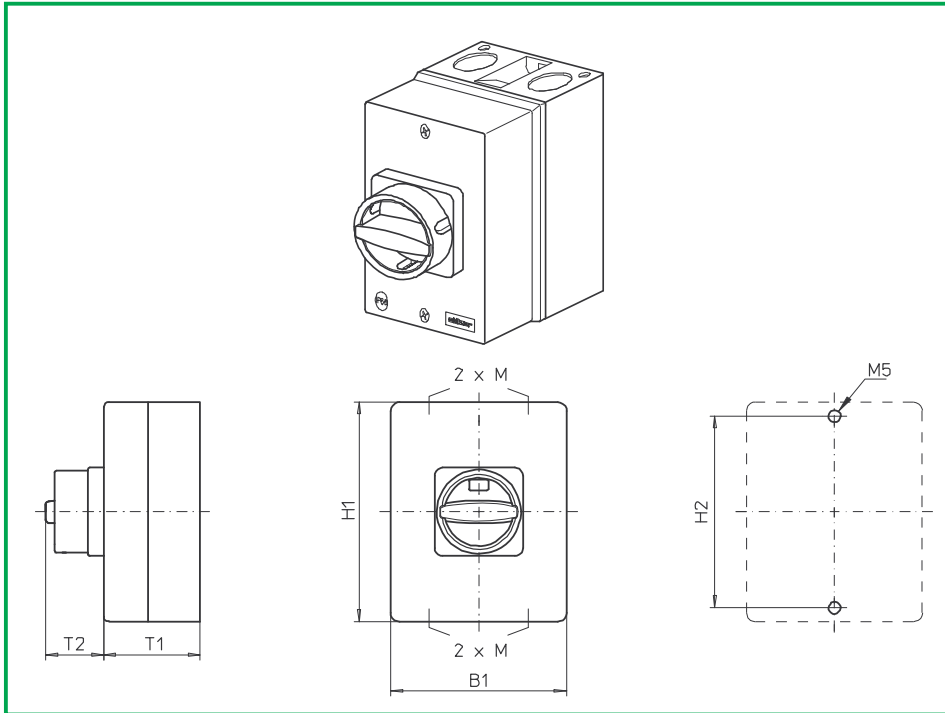
**730M4 (IP66)**

| Complete switch   | Poles   | Product lines | Rated data (IEC 60947)    |                                |            | Order code number  |
|---|---------|---------------|---------------------------|--------------------------------|------------|--|
|   |         |               | Operational current $I_e$ | Operational power at 380–440 V |            |  |
|   |         |               | AC-21A<br>A               | AC-23A<br>kW                   | AC-3<br>kW |  |
| Main Switches<br>OFF position padlockable 09h               | 3 ... 4 | B200-A        | 50<br>63                  | 18,5<br>22                     | 15<br>18,5 | <b>B250 - 41 ... - 730M1</b><br><b>B263 - 41 ... - 730M1</b> |
| Main/Emergency-Off Switches<br>OFF position padlockable 09h | 3 ... 4 | B200-A        | 50<br>63                  | 18,5<br>22                     | 15<br>18,5 | <b>B250 - 41 ... - 730M4</b><br><b>B263 - 41 ... - 730M4</b> |

| SMD modules for basic switch A02        |  |  |  |        |  |                     |
|---|--|--|--|--------|--|---------------------|
| Mounting form module (switch module ED) |  |  |  | B200-A |  | <b>BFD2 - ED</b>    |
| Enclosure module, mounting form 730M1   |  |  |  |        |  | <b>PAB2 - 730M1</b> |
| Enclosure module, mounting form 730M4   |  |  |  |        |  | <b>PAB2 - 730M4</b> |

| Dimensions (mm) |     |     |     |    |       |     |  |
|-----------------|-----|-----|-----|----|-------|-----|--|
| Product line    | H1  | B1  | T1  | T2 | 2xM   | H2  |  |
| B200-A          | 250 | 160 | 120 | 50 | 32/40 | 235 |  |

# Enclosed Switches



**Product line**  
**B200-A**

**Enclosed switch**

**Insulated enclosure**  
250 x 160 x 120 mm

With cover interlock  
in ON position

with N/PE connection link

**Cable entries**  
4 x M32/ M40

**730N1 (IP66)**

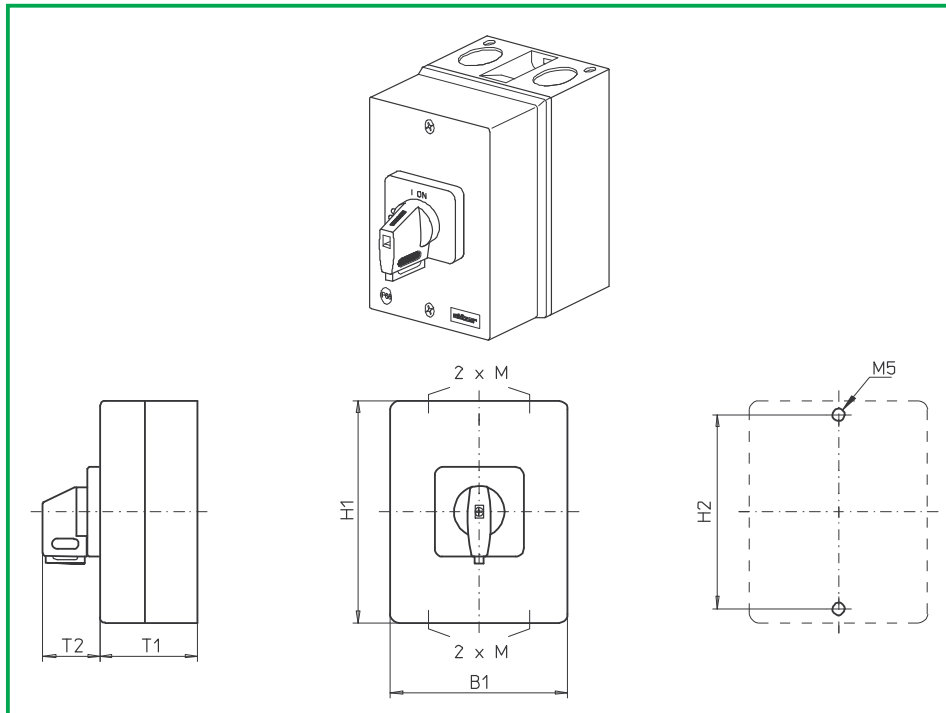
**730N4 (IP66)**

| Complete switch   | Poles   | Product lines | Rated data (IEC 60947)    |                                |            | Order code number  |
|---|---------|---------------|---------------------------|--------------------------------|------------|--|
|   |         |               | Operational current $I_e$ | Operational power at 380–440 V |            |  |
|   |         |               | AC-21A<br>A               | AC-23A<br>kW                   | AC-3<br>kW |  |
| Main Switches<br>OFF position padlockable 09h               | 3 ... 4 | B200-A        | 50<br>63                  | 18,5<br>22                     | 15<br>18,5 | <b>B250 - 41 ... - 730N1</b><br><b>B263 - 41 ... - 730N1</b> |
| Main/Emergency-Off Switches<br>OFF position padlockable 09h | 3 ... 4 | B200-A        | 50<br>63                  | 18,5<br>22                     | 15<br>18,5 | <b>B250 - 41 ... - 730N4</b><br><b>B263 - 41 ... - 730N4</b> |

| SMD modules for basic switch A02        |  |  |  |        |  |                     |
|---|--|--|--|--------|--|---------------------|
| Mounting form module (switch module ED) |  |  |  | B200-A |  | <b>BFD2 - ED</b>    |
| Enclosure module, mounting form 730N1   |  |  |  |        |  | <b>PAB2 - 730N1</b> |
| Enclosure module, mounting form 730N4   |  |  |  |        |  | <b>PAB2 - 730N4</b> |

| Dimensions (mm) |     |     |     |    |       |     |
|-----------------|-----|-----|-----|----|-------|-----|
| Product line    | H1  | B1  | T1  | T2 | 2xM   | H2  |
| B200-A          | 250 | 160 | 120 | 45 | 32/40 | 235 |

# Enclosed Switches



**Product line**  
**B200-A**

**Enclosed switch**

**Insulated enclosure**  
250 x 160 x 120 mm

With cover interlock  
in ON position

with N/PE connection link

**Cable entries**  
4 x M32/ M40

**730V1 (IP66)**

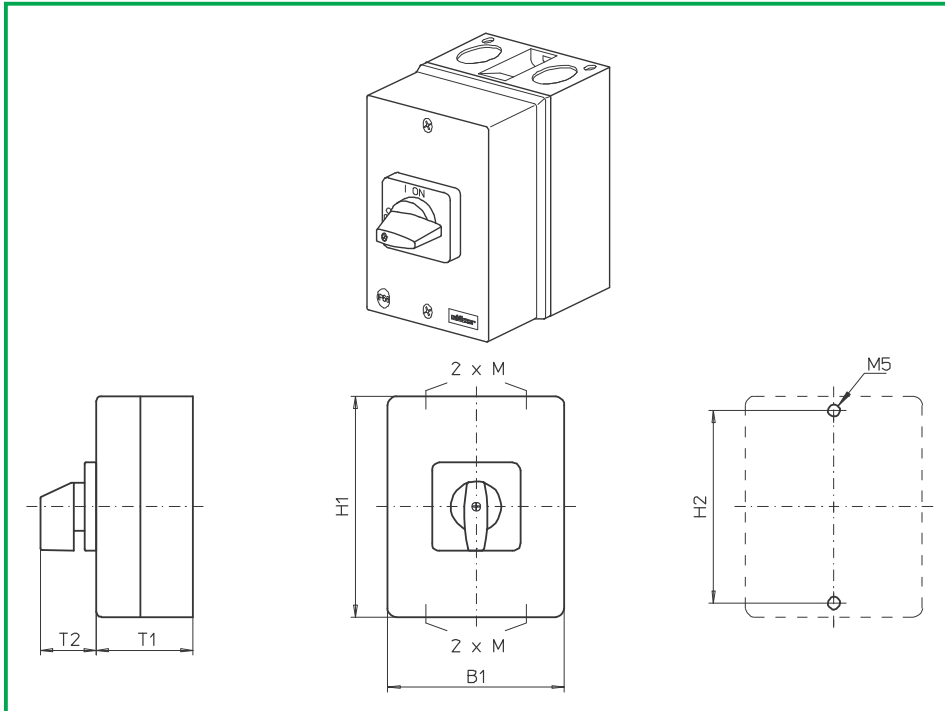
**730V4 (IP66)**

| Complete switch   | Poles   | Product lines | Rated data (IEC 60947)    |                                |            | Order code number  |
|---|---------|---------------|---------------------------|--------------------------------|------------|--|
|   |         |               | Operational current $I_e$ | Operational power at 380–440 V |            |  |
|   |         |               | AC-21A<br>A               | AC-23A<br>kW                   | AC-3<br>kW |  |
| Main Switches<br>OFF position padlockable 09h               | 3 ... 4 | B200-A        | 50<br>63                  | 18,5<br>22                     | 15<br>18,5 | <b>B250 - 41 ... - 730V1</b><br><b>B263 - 41 ... - 730V1</b> |
| Main/Emergency-Off Switches<br>OFF position padlockable 09h | 3 ... 4 | B200-A        | 50<br>63                  | 18,5<br>22                     | 15<br>18,5 | <b>B250 - 41 ... - 730V4</b><br><b>B263 - 41 ... - 730V4</b> |

| SMD modules for basic switch A02            |        |                                |
|---|--------|--------------------------------|
| Mounting form module (switch module ED)     | B200-A | <b>BFD2 - ED</b>               |
| Enclosure module, mounting form 730V1       |        | <b>PAB2 - 730V1</b>            |
| Enclosure module, mounting form 730V4       |        | <b>PAB2 - 730V4</b>            |
| Legend plate silver, enclosure module 730V1 |        | <b>FAS4 - 9...</b> (FA number) |
| Legend plate yellow, enclosure module 730V4 |        | <b>FBS4 - 9...</b> (FA number) |

| Dimensions (mm) |     |     |     |    |       |     |
|-----------------|-----|-----|-----|----|-------|-----|
| Product line    | H1  | B1  | T1  | T2 | 2xM   | H2  |
| B200-A          | 250 | 160 | 120 | 39 | 32/40 | 235 |

# Enclosed Switches



**Product line  
B200-A**

**Enclosed switch**

**Insulated enclosure**

250 x 160 x 120 mm

With cover interlock  
in ON position

with N/PE connection link

**Cable entries**

4 x M32/ M40

**731M1 (IP66)**

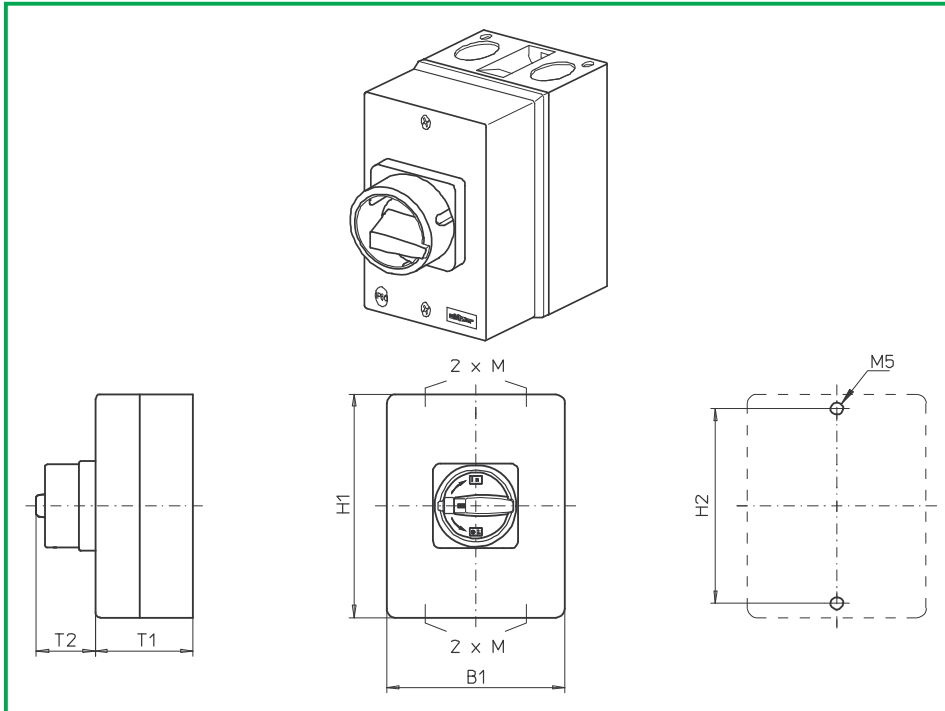
| Complete switch                        | Poles   | Product lines | Rated data (IEC 60947)    |                                |            | Order code number  |
|--|---------|---------------|---------------------------|--------------------------------|------------|--|
|  |         |               | Operational current $I_e$ | Operational power at 380–440 V |            |  |
|  |         |               | AC-21A<br>A               | AC-23A<br>kW                   | AC-3<br>kW |  |
| ON-OFF Switches<br>Switching angle 90° | 3 ... 4 | B200-A        | 50<br>63                  | 18,5<br>22                     | 15<br>18,5 | <b>B250 - 41 ... - 731M1</b><br><b>B263 - 41 ... - 731M1</b> |

| SMD modules for basic switch A02            |  |  |  |        |  |                                |
|---|--|--|--|--------|--|--------------------------------|
| Mounting form module (switch module ED)     |  |  |  | B200-A |  | <b>BFD2 - ED</b>               |
| Enclosure module, mounting form 731M1       |  |  |  |        |  | <b>PAB2 - 731M1</b>            |
| Legend plate silver, enclosure module 731M1 |  |  |  |        |  | <b>FAS4 - 9...</b> (FA number) |

| Dimensions (mm) |     |     |     |    |       |     |
|-----------------|-----|-----|-----|----|-------|-----|
| Product line    | H1  | B1  | T1  | T2 | 2xM   | H2  |
| B200-A          | 250 | 160 | 120 | 39 | 32/40 | 235 |



# Enclosed Switches



**Product line**  
**B200-A**

**Enclosed switch**

**Insulated enclosure**

250 x 160 x 120 mm

With cover interlock  
in ON position

with PE connection link

**Cable entries**

4 x M32/ M40

**735M1 (IP66)**

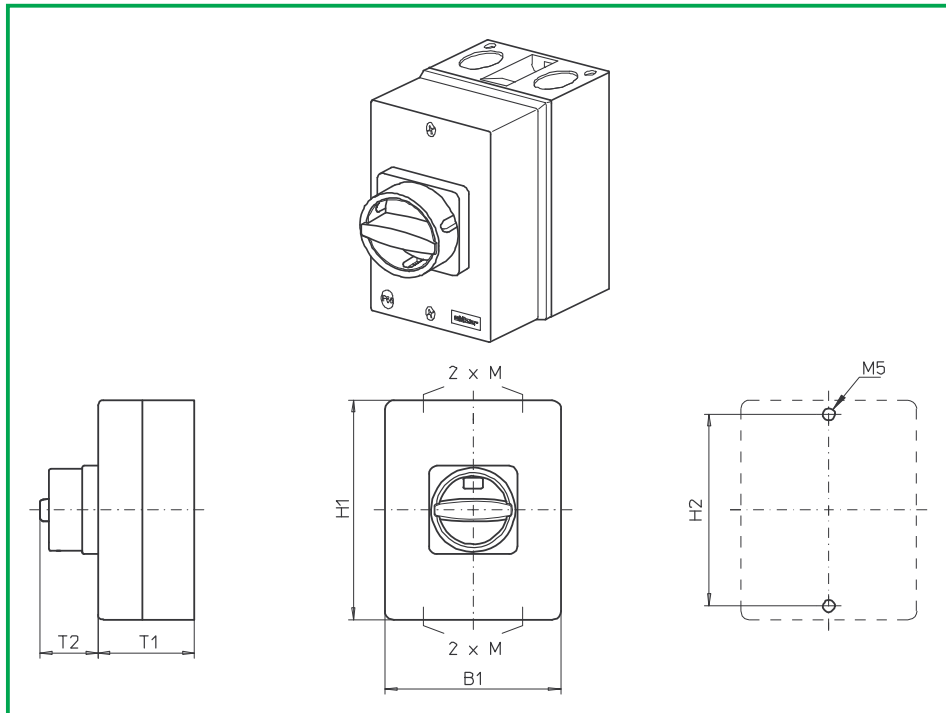
**735M4 (IP66)**

| Complete switch   | Poles   | Product lines | Rated data (IEC 60947)             |                                |            | Order code number            |
|---|---------|---------------|------------------------------------|--------------------------------|------------|------------------------------|
|   |         |               | Operational current I <sub>e</sub> | Operational power at 380–440 V |            |                              |
|   |         |               | AC-21A<br>A                        | AC-23A<br>kW                   | AC-3<br>kW |                              |
| Main Switches<br>OFF position padlockable 09h               | 3 ... 4 | B200-A        | 50                                 | 18,5                           | 15         | <b>B250 - 41 ... - 735M1</b> |
|   |         |               | 63                                 | 22                             | 18,5       | <b>B263 - 41 ... - 735M1</b> |
| Main/Emergency-Off Switches<br>OFF position padlockable 09h | 3 ... 4 | B200-A        | 50                                 | 18,5                           | 15         | <b>B250 - 41 ... - 735M4</b> |
|   |         |               | 63                                 | 22                             | 18,5       | <b>B263 - 41 ... - 735M4</b> |

| SMD modules for basic switch A02        |  |        |                     |
|---|--|--------|---------------------|
| Mounting form module (switch module ED) |  | B200-A | <b>BFD2 - ED</b>    |
| Enclosure module, mounting form 735M1   |  |        | <b>PAB2 - 735M1</b> |
| Enclosure module, mounting form 735M4   |  |        | <b>PAB2 - 735M4</b> |

| Dimensions (mm) |     |     |     |    |       |     |
|-----------------|-----|-----|-----|----|-------|-----|
| Product line    | H1  | B1  | T1  | T2 | 2xM   | H2  |
| B200-A          | 250 | 160 | 120 | 50 | 32/40 | 235 |

# Enclosed Switches



**Product line  
B200-A**

**Enclosed switch**

**Insulated enclosure**  
250 x 160 x 120 mm

With cover interlock  
in ON position

with PE connection link

**Cable entries**  
4 x M32/ M40

**735N1 (IP66)**

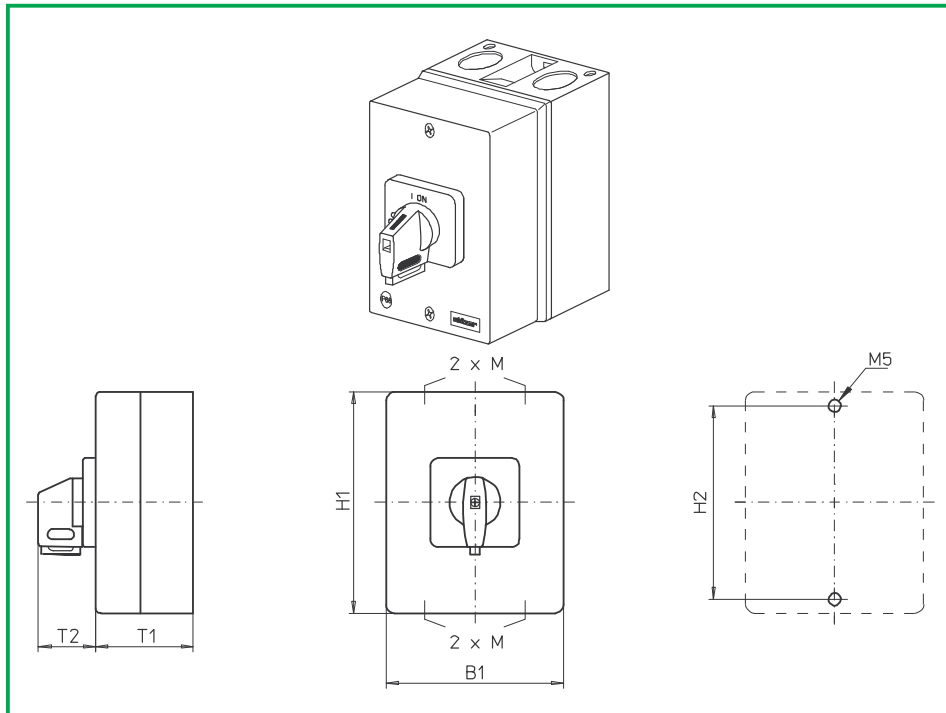
**735N4 (IP66)**

| Complete switch   | Poles   | Product lines | Rated data (IEC 60947)             |                                |            | Order code number  |
|---|---------|---------------|------------------------------------|--------------------------------|------------|--|
|   |         |               | Operational current I <sub>e</sub> | Operational power at 380–440 V |            |  |
|   |         |               | AC-21A<br>A                        | AC-23A<br>kW                   | AC-3<br>kW |  |
| Main Switches<br>OFF position padlockable 09h               | 3 ... 4 | B200-A        | 50<br>63                           | 18,5<br>22                     | 15<br>18,5 | <b>B250 - 41 ... - 735N1</b><br><b>B263 - 41 ... - 735N1</b> |
| Main/Emergency-Off Switches<br>OFF position padlockable 09h | 3 ... 4 | B200-A        | 50<br>63                           | 18,5<br>22                     | 15<br>18,5 | <b>B250 - 41 ... - 735N4</b><br><b>B263 - 41 ... - 735N4</b> |

| SMD modules for basic switch A02        |        |                     |
|---|--------|---------------------|
| Mounting form module (switch module ED) | B200-A | <b>BFD2 - ED</b>    |
| Enclosure module, mounting form 735N1   |        | <b>PAB2 - 735N1</b> |
| Enclosure module, mounting form 735N4   |        | <b>PAB2 - 735N4</b> |

| Dimensions (mm) |     |     |     |    |       |     |
|-----------------|-----|-----|-----|----|-------|-----|
| Product line    | H1  | B1  | T1  | T2 | 2xM   | H2  |
| B200-A          | 250 | 160 | 120 | 45 | 32/40 | 235 |

# Enclosed Switches



**Product line**  
**B200-A**

**Enclosed switch**

**Insulated enclosure**

250 x 160 x 120 mm

With cover interlock  
in ON position

with PE connection link

**Cable entries**

4 x M32/ M40

**735V1 (IP66)**

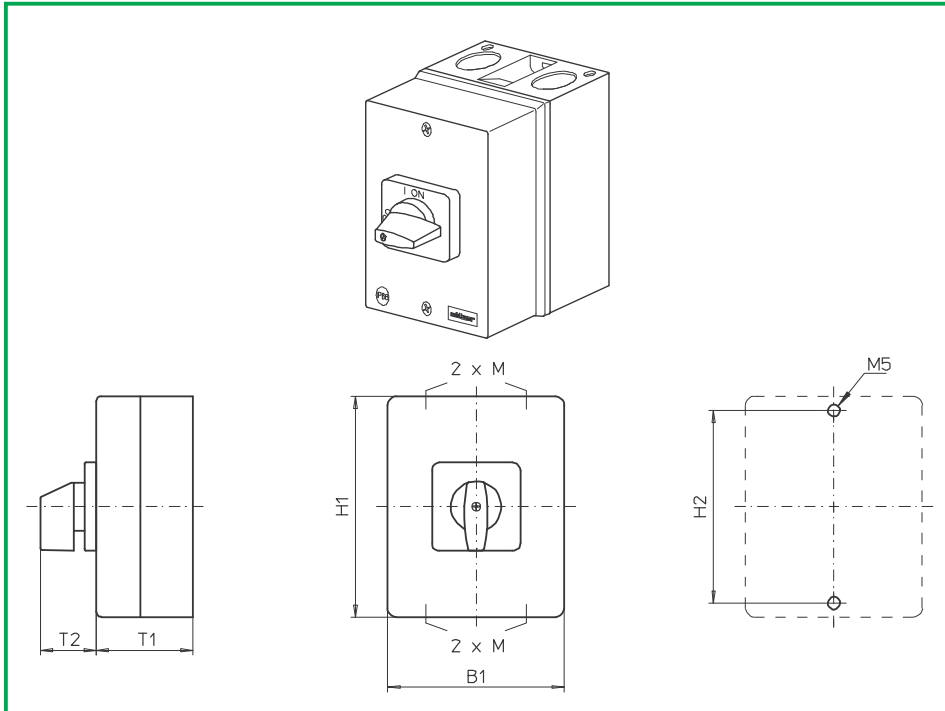
**735V4 (IP66)**

| Complete switch   | Poles   | Product lines | Rated data (IEC 60947)             |                                |            | Order code number  |
|---|---------|---------------|------------------------------------|--------------------------------|------------|--|
|   |         |               | Operational current I <sub>e</sub> | Operational power at 380–440 V |            |  |
|   |         |               | AC-21A<br>A                        | AC-23A<br>kW                   | AC-3<br>kW |  |
| Main Switches<br>OFF position padlockable 09h               | 3 ... 4 | B200-A        | 50<br>63                           | 18,5<br>22                     | 15<br>18,5 | <b>B250 - 41 ... - 735V1</b><br><b>B263 - 41 ... - 735V1</b> |
| Main/Emergency-Off Switches<br>OFF position padlockable 09h | 3 ... 4 | B200-A        | 50<br>63                           | 18,5<br>22                     | 15<br>18,5 | <b>B250 - 41 ... - 735V4</b><br><b>B263 - 41 ... - 735V4</b> |

| SMD modules for basic switch A02            |        |                                |
|---|--------|--------------------------------|
| Mounting form module (switch module ED)     | B200-A | <b>BFD2 - ED</b>               |
| Enclosure module, mounting form 735V1       |        | <b>PAB2 - 735V1</b>            |
| Enclosure module, mounting form 735V4       |        | <b>PAB2 - 735V4</b>            |
| Legend plate silver, enclosure module 735V1 |        | <b>FAS4 - 9...</b> (FA number) |
| Legend plate yellow, enclosure module 735V4 |        | <b>FBS4 - 9...</b> (FA number) |

| Dimensions (mm) |     |     |     |    |       |     |
|-----------------|-----|-----|-----|----|-------|-----|
| Product line    | H1  | B1  | T1  | T2 | 2xM   | H2  |
| B200-A          | 250 | 160 | 120 | 39 | 32/40 | 235 |

# Enclosed Switches



**Product line  
B200-A**

**Enclosed switch**

**Insulated enclosure**

250 x 160 x 120 mm

With cover interlock  
in ON position

with PE connection link

**Cable entries**

4 x M32/ M40

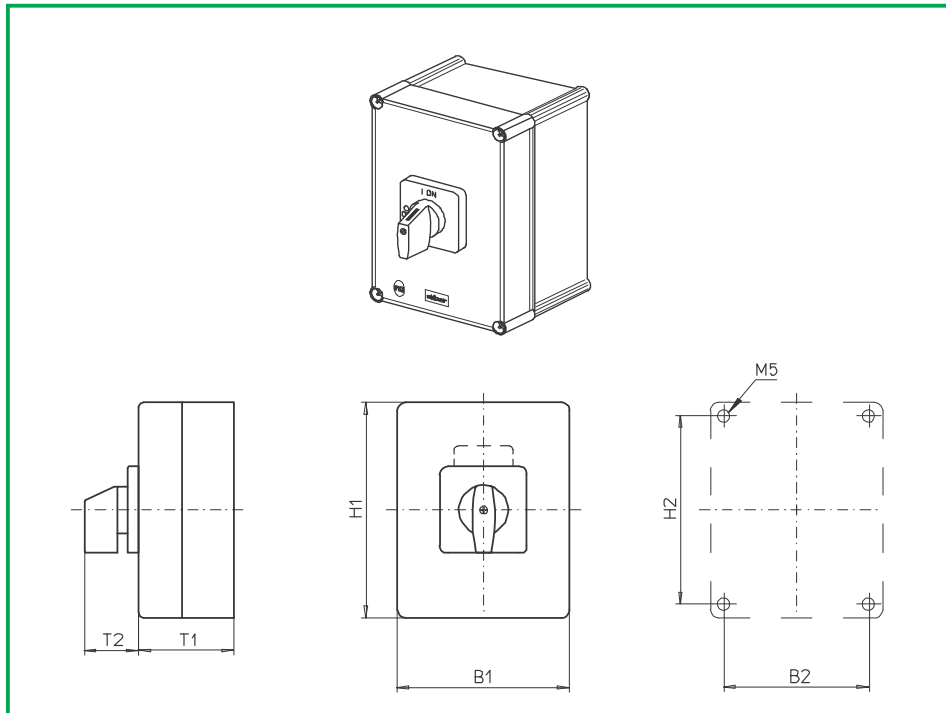
**736M1 (IP66)**

| Complete switch                        | Poles   | Product lines | Rated data (IEC 60947)    |                                |            | Order code number  |
|--|---------|---------------|---------------------------|--------------------------------|------------|--|
|  |         |               | Operational current $I_e$ | Operational power at 380–440 V |            |  |
|  |         |               | AC-21A<br>A               | AC-23A<br>kW                   | AC-3<br>kW |  |
| ON-OFF Switches<br>Switching angle 90° | 3 ... 4 | B200-A        | 50<br>63                  | 18,5<br>22                     | 15<br>18,5 | <b>B250 - 41 ... - 736M1</b><br><b>B263 - 41 ... - 736M1</b> |

| SMD modules for basic switch A02            |  |  |  |        |  |                                |
|---|--|--|--|--------|--|--------------------------------|
| Mounting form module (switch module ED)     |  |  |  | B200-A |  | <b>BFD2 - ED</b>               |
| Enclosure module, mounting form 736M1       |  |  |  |        |  | <b>PAB2 - 736M1</b>            |
| Legend plate silver, enclosure module 736M1 |  |  |  |        |  | <b>FAS4 - 9...</b> (FA number) |

| Dimensions (mm) |     |     |     |    |       |     |
|-----------------|-----|-----|-----|----|-------|-----|
| Product line    | H1  | B1  | T1  | T2 | 2xM   | H2  |
| B200-A          | 250 | 160 | 120 | 39 | 32/40 | 235 |

# Enclosed Switches



**Product line**  
**B200-D**

**Enclosed switch**

**Insulated enclosure**  
280 x 190 x 130 mm

With cover interlock  
in ON position

**with 2 PE Terminals**  
without N Terminal

**Cable entries**  
without

**741M1 (IP66)**

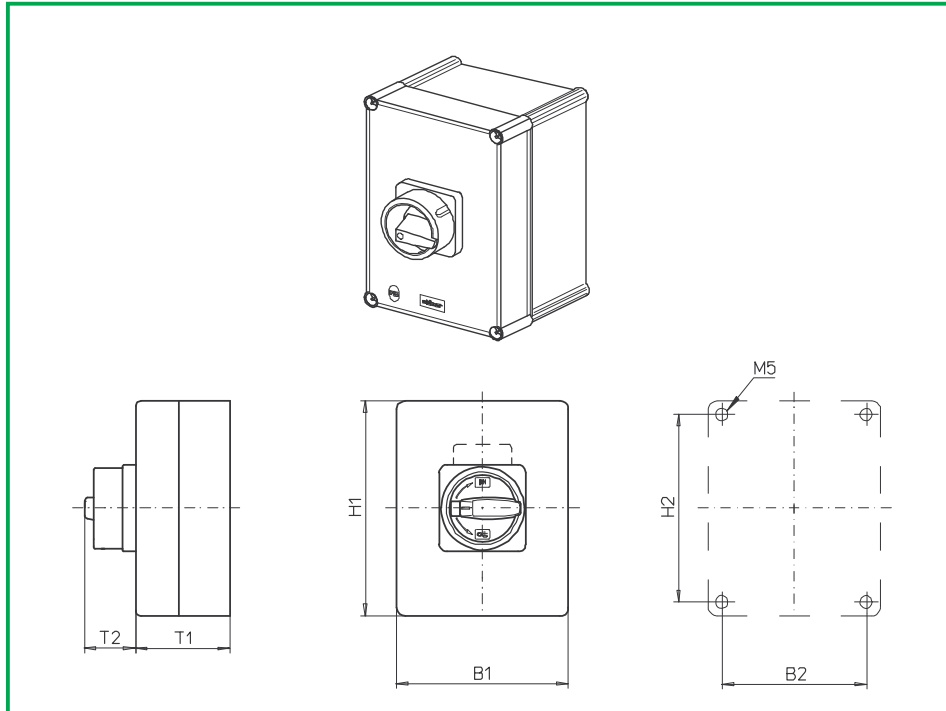
| Complete switch                        | Poles | Product lines | Rated data (IEC 60947)             |                                |            | Order code number  |
|--|-------|---------------|------------------------------------|--------------------------------|------------|--|
|  |       |               | Operational current I <sub>e</sub> | Operational power at 380–440 V |            |  |
|  |       |               | AC-21A<br>A                        | AC-23A<br>kW                   | AC-3<br>kW |  |
| ON-OFF Switches<br>Switching angle 90° | 6     | B200-D        | 50<br>63                           | 18,5<br>22                     | 15<br>18,5 | <b>B250 - 41 ... - 741M1</b><br><b>B263 - 41 ... - 741M1</b> |

| SMD modules for basic switch A02            |  |  |  |        |  |                         |
|---|--|--|--|--------|--|-------------------------|
| Mounting form module for 741M1              |  |  |  | B200-D |  | BFB2 - E6               |
| Enclosure module, mounting form 741M1       |  |  |  |        |  | PAB2 - 741M1            |
| Legend plate silver, enclosure module 741M1 |  |  |  |        |  | FAS4 - 9... (FA number) |

Remark to mounting form:  
Terminal capacity max. 16 mm<sup>2</sup> on N-terminal and/or PE-terminal

| Dimensions (mm) |     |     |     |    |     |     |
|-----------------|-----|-----|-----|----|-----|-----|
| Product line    | H1  | B1  | T1  | T2 | H2  | B2  |
| B200-D          | 280 | 190 | 130 | 39 | 254 | 164 |

# Enclosed Switches



**Product line**  
**B200-D**

**Enclosed switch**

**Insulated enclosure**

280 x 190 x 130 mm

With cover interlock  
in ON position

**with 2 PE Terminals**  
without N Terminal

**Cable entries**  
without

**740M1 (IP66)**

**740M4 (IP66)**

| Complete switch   | Poles | Product lines | Rated data (IEC 60947)    |                                |            | Order code number  |
|---|-------|---------------|---------------------------|--------------------------------|------------|--|
|   |       |               | Operational current $I_e$ | Operational power at 380–440 V |            |  |
|   |       |               | AC-21A<br>A               | AC-23A<br>kW                   | AC-3<br>kW |  |
| Main Switches<br>OFF position padlockable 09h               | 6     | B200-D        | 50<br>63                  | 18,5<br>22                     | 15<br>18,5 | <b>B250 - 41 ... - 740M1</b><br><b>B263 - 41 ... - 740M1</b> |
| Main/Emergency-Off Switches<br>OFF position padlockable 09h | 6     | B200-D        | 50<br>63                  | 18,5<br>22                     | 15<br>18,5 | <b>B250 - 41 ... - 740M4</b><br><b>B263 - 41 ... - 740M4</b> |

### SMD modules for basic switch A02

Mounting form module for 740M1/ 740M4

B200-D

**BFB2 - E6**

Enclosure module, mounting form 740M1  
Enclosure module, mounting form 740M4

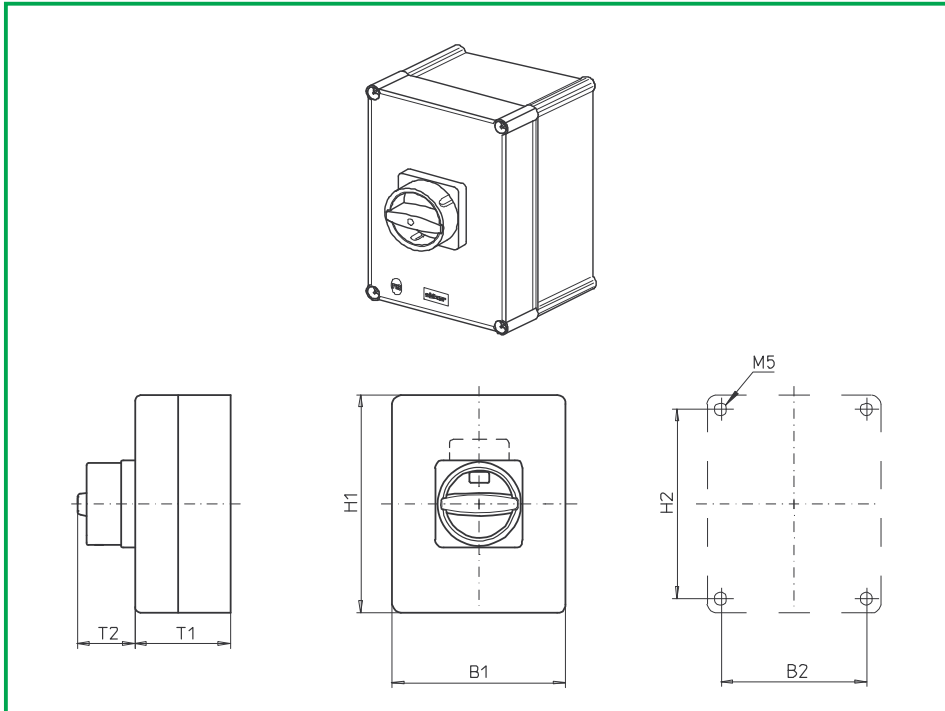
**PAB2 - 740M1**  
**PAB2 - 740M4**

Remark to mounting form:  
Terminal capacity max. 16 mm<sup>2</sup> on N-terminal and/or PE-terminal

### Dimensions (mm)

| Product line | H1  | B1  | T1  | T2 | H2  | B2  |
|--------------|-----|-----|-----|----|-----|-----|
| B200-D       | 280 | 190 | 130 | 50 | 254 | 164 |

# Enclosed Switches



**Product line**  
**B200-D**

**Enclosed switch**

**Insulated enclosure**

280 x 190 x 130 mm

With cover interlock  
in ON position

**with 2 PE Terminals**  
without N Terminal

**Cable entries**  
without

**740N1 (IP66)**

**740N4 (IP66)**

| Complete switch   | Poles | Product lines | Rated data (IEC 60947)             |                                |            | Order code number  |
|---|-------|---------------|------------------------------------|--------------------------------|------------|--|
|   |       |               | Operational current I <sub>e</sub> | Operational power at 380–440 V |            |  |
|   |       |               | AC-21A<br>A                        | AC-23A<br>kW                   | AC-3<br>kW |  |
| Main Switches<br>OFF position padlockable 09h               | 6     | B200-D        | 50<br>63                           | 18,5<br>22                     | 15<br>18,5 | <b>B250 - 41 ... - 740N1</b><br><b>B263 - 41 ... - 740N1</b> |
| Main/Emergency-Off Switches<br>OFF position padlockable 09h | 6     | B200-D        | 50<br>63                           | 18,5<br>22                     | 15<br>18,5 | <b>B250 - 41 ... - 740N4</b><br><b>B263 - 41 ... - 740N4</b> |

**SMD modules for basic switch A02**

Mounting form module for 740N1/ 740N4

B200-D

**BFB2 - E6**

Enclosure module, mounting form 740N1  
Enclosure module, mounting form 740N4

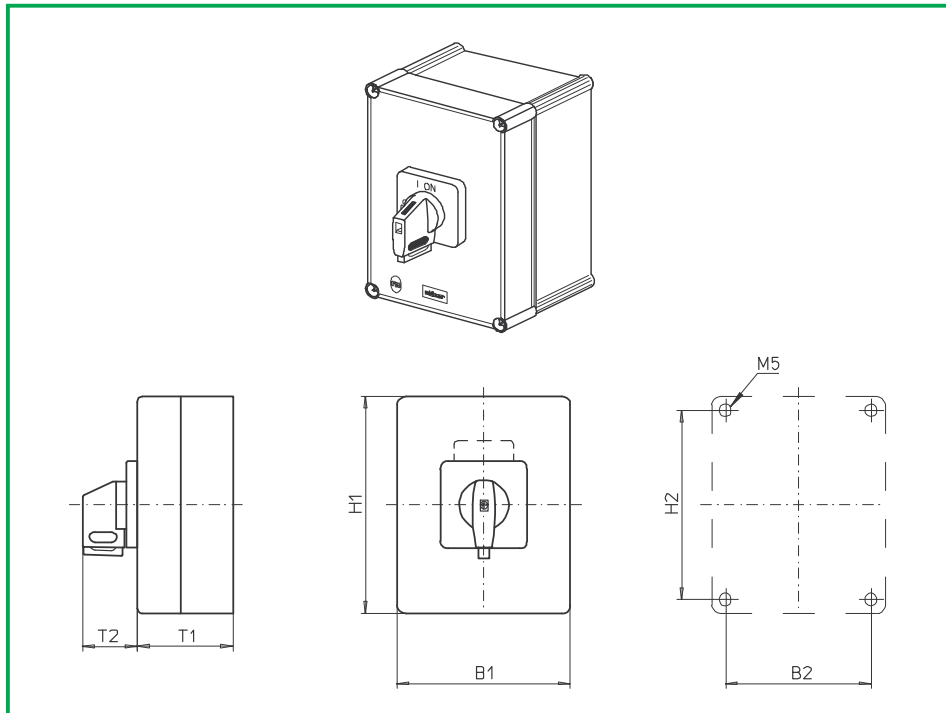
**PAB2 - 740N1**  
**PAB2 - 740N4**

Remark to mounting form:  
Terminal capacity max. 16 mm<sup>2</sup> on N-terminal and/or PE-terminal

**Dimensions (mm)**

| Product line | H1  | B1  | T1  | T2 | H2  | B2  |
|--------------|-----|-----|-----|----|-----|-----|
| B200-D       | 280 | 190 | 130 | 45 | 254 | 164 |

# Enclosed Switches



**Product line  
B200-D**

**Enclosed switch**

**Insulated enclosure**  
280 x 190 x 130 mm

With cover interlock  
in ON position

**with 2 PE Terminals**  
without N Terminal

**Cable entries**  
without

**740V1 (IP66)**

**740V4 (IP66)**

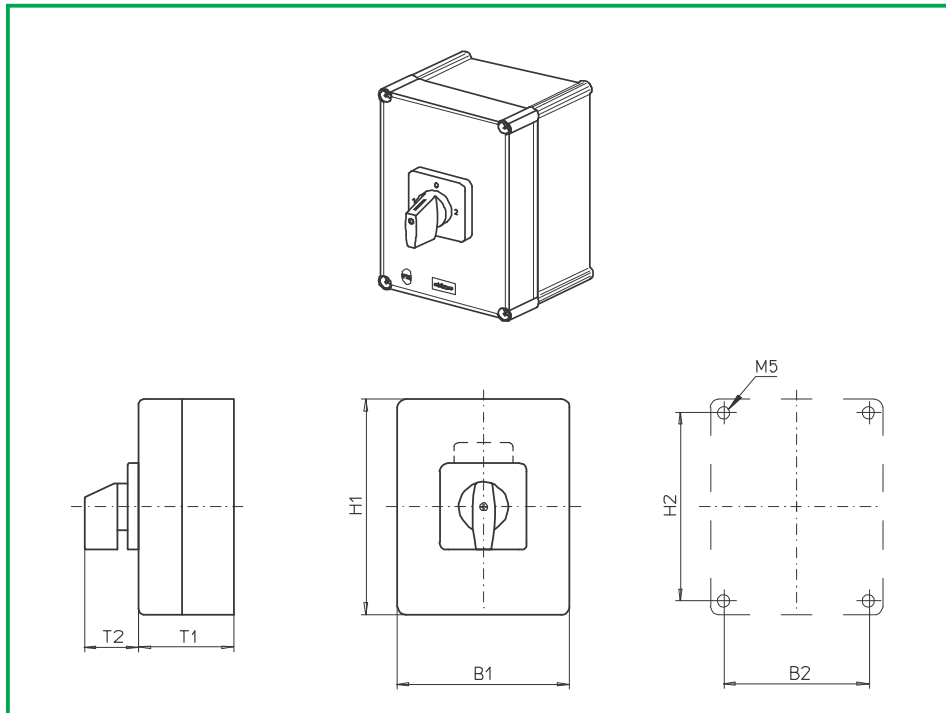
| Complete switch   | Poles | Product lines | Rated data (IEC 60947)             |                                |            | Order code number  |
|---|-------|---------------|------------------------------------|--------------------------------|------------|--|
|   |       |               | Operational current I <sub>e</sub> | Operational power at 380–440 V |            |  |
|   |       |               | AC-21A<br>A                        | AC-23A<br>kW                   | AC-3<br>kW |  |
| Main Switches<br>OFF position padlockable 09h               | 6     | B200-D        | 50<br>63                           | 18,5<br>22                     | 15<br>18,5 | <b>B250 - 41 ... - 740V1</b><br><b>B263 - 41 ... - 740V1</b> |
| Main/Emergency-Off Switches<br>OFF position padlockable 09h | 6     | B200-D        | 50<br>63                           | 18,5<br>22                     | 15<br>18,5 | <b>B250 - 41 ... - 740V4</b><br><b>B263 - 41 ... - 740V4</b> |

| SMD modules for basic switch A02   |  |  |  |        |  |                                |
|--|--|--|--|--------|--|--------------------------------|
| Mounting form module for 740V1/ 740V4  |  |  |  | B200-D |  | <b>BFB2 - E6</b>               |
| Enclosure module, mounting form 740V1  |  |  |  |        |  | <b>PAB2 - 740V1</b>            |
| Enclosure module, mounting form 740V4  |  |  |  |        |  | <b>PAB2 - 740V4</b>            |
| Legend plate silver, enclosure module 740V1  |  |  |  |        |  | <b>FAS4 - 9... (FA number)</b> |
| Legend plate yellow, enclosure module 740V4  |  |  |  |        |  | <b>FBS4 - 9... (FA number)</b> |
| Remark to mounting form:<br>Terminal capacity max. 16 mm <sup>2</sup> on N-terminal and/or PE-terminal |  |  |  |        |  |                                |

| Dimensions (mm) |     |     |     |    |     |     |
|-----------------|-----|-----|-----|----|-----|-----|
| Product line    | H1  | B1  | T1  | T2 | H2  | B2  |
| B200-D          | 280 | 190 | 130 | 39 | 254 | 164 |



# Enclosed Switches



**Product line**  
**B200-E**

**Enclosed switch**

**Insulated enclosure**

280 x 190 x 130 mm

With cover interlock  
in ON position

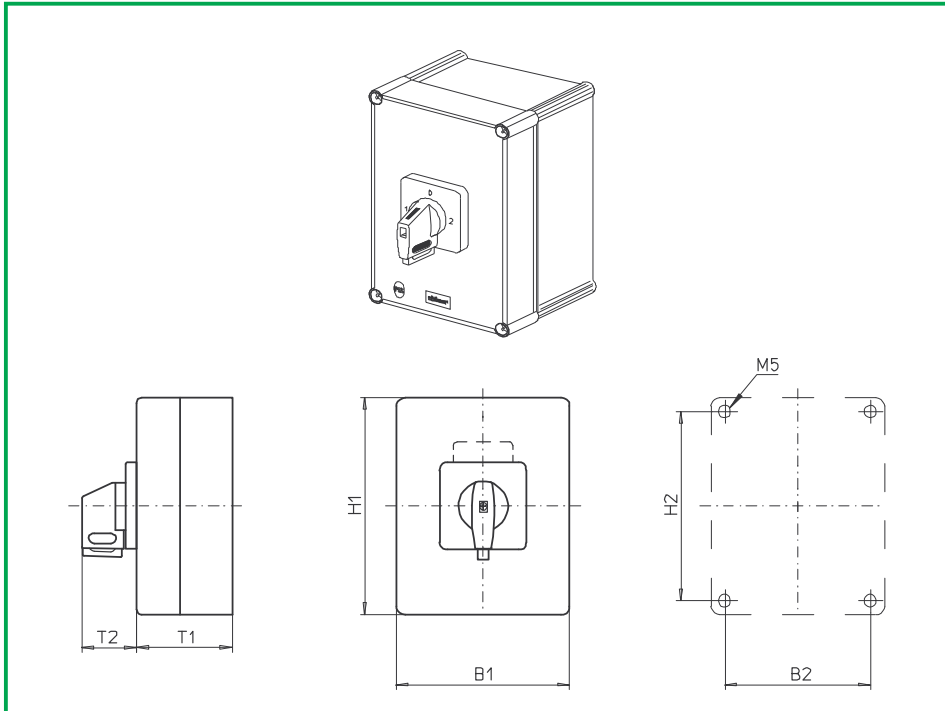
**with 2 PE Terminals**  
without N Terminal

**Cable entries**  
without

**742M1 (IP66)**

| Complete switch  | Poles     | Product lines | Rated data (IEC 60947)             |                                |            | Order code number  |
|--|-----------|---------------|------------------------------------|--------------------------------|------------|--|
|  |           |               | Operational current I <sub>e</sub> | Operational power at 380–440 V |            |  |
|  |           |               | AC-21A<br>A                        | AC-23A<br>kW                   | AC-3<br>kW |  |
| Changeover with OFF<br>Switching angle 90°   | 3         | B200-E        | 50<br>63                           | 18,5<br>22                     | 15<br>18,5 | <b>B250 - 71 ... - 742M1</b><br><b>B263 - 71 ... - 742M1</b> |
| <b>SMD modules for basic switch A02</b>  |           |               |                                    |                                |            |  |
| Mounting form module for 742M1   |           |               |                                    | B200-E                         |            | <b>BFB2 - E6</b>   |
| Enclosure module, mounting form 742M1  |           |               |                                    |                                |            | <b>PAB2 - 742M1</b>  |
| Legend plate silver, enclosure module 742M1  |           |               |                                    |                                |            | <b>FAS4 - 9... (FA number)</b>                               |
| Remark to mounting form:<br>Terminal capacity max. 16 mm <sup>2</sup> on N-terminal and/or PE-terminal |           |               |                                    |                                |            |  |
| <b>Dimensions (mm)</b>   |           |               |                                    |                                |            |  |
| <b>Product line</b>  | <b>H1</b> | <b>B1</b>     | <b>T1</b>                          | <b>T2</b>                      | <b>H2</b>  | <b>B2</b>  |
| B200-E   | 280       | 190           | 130                                | 39                             | 254        | 164  |

# Enclosed Switches



**Product line**  
**B200-E**

**Enclosed switch**

**Insulated enclosure**  
280 x 190 x 130 mm

With cover interlock  
in ON position

**with 2 PE Terminals**  
without N Terminal

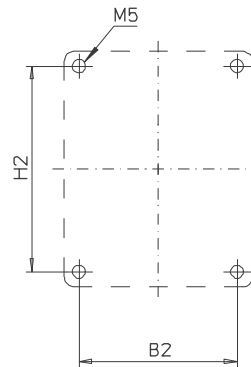
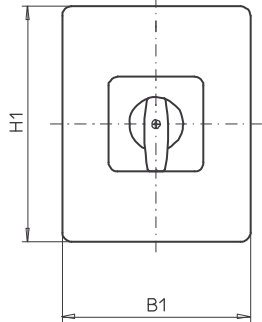
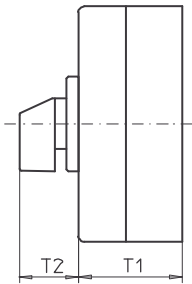
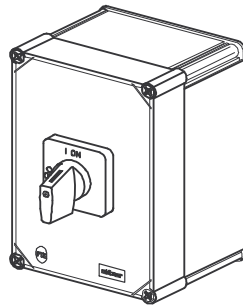
**Cable entries**  
without

**742V1 (IP66)**

**743V1 (IP66)**

| Complete switch  | Poles     | Product lines | Rated data (IEC 60947)             |                                |            | Order code number              |
|--|-----------|---------------|------------------------------------|--------------------------------|------------|--------------------------------|
|  |           |               | Operational current I <sub>e</sub> | Operational power at 380–440 V |            |                                |
|  |           |               | AC-21A<br>A                        | AC-23A<br>kW                   | AC-3<br>kW |                                |
| Changeover with OFF<br>Switching angle 90°<br>OFF position padlockable 12h                             | 3         | B200-E        | 50                                 | 18,5                           | 15         | <b>B250 - 71 ... - 742V1</b>   |
|  |           |               | 63                                 | 22                             | 18,5       | <b>B263 - 71 ... - 742V1</b>   |
| Changeover with OFF<br>Switching angle 90°<br>3 positions padlockable<br>(09h/12h/03h)                 | 3         | B200-E        | 50                                 | 18,5                           | 15         | <b>B250 - 71 ... - 743V1</b>   |
|  |           |               | 63                                 | 22                             | 18,5       | <b>B263 - 71 ... - 743V1</b>   |
| <b>SMD modules for basic switch A02</b>  |           |               |                                    |                                |            |                                |
| Mounting form module for 742V1/ 743V1  |           |               | B200-E                             |                                |            | <b>BFB2 - E6</b>               |
| Enclosure module, mounting form 742V1  |           |               |                                    |                                |            | <b>PAB2 - 742V1</b>            |
| Enclosure module, mounting form 743V1  |           |               |                                    |                                |            | <b>PAB2 - 743V1</b>            |
| Legend plate silver, enclosure modules 742V1/ 743V1  |           |               |                                    |                                |            | <b>FAS4 - 9... (FA number)</b> |
| Remark to mounting form:<br>Terminal capacity max. 16 mm <sup>2</sup> on N-terminal and/or PE-terminal |           |               |                                    |                                |            |                                |
| <b>Dimensions (mm)</b>   |           |               |                                    |                                |            |                                |
| <b>Product line</b>  | <b>H1</b> | <b>B1</b>     | <b>T1</b>                          | <b>T2</b>                      | <b>H2</b>  | <b>B2</b>                      |
| B200-E   | 280       | 190           | 130                                | 39                             | 254        | 164                            |

# Enclosed Switches



**Product lines**  
**B200-D/ -E**

**Enclosed switch**

**Insulated enclosure**

320 x 220 x 180 mm

With cover interlock  
in ON position

**Cable entries**

Gland plates

**976M1 (IP66)**

**978M1 (IP66)**

| Complete switch                            | Poles   | Product lines | Rated data (IEC 60947)             |                                |            | Order code number  |
|--|---------|---------------|------------------------------------|--------------------------------|------------|--|
|  |         |               | Operational current I <sub>e</sub> | Operational power at 380–440 V |            |  |
|  |         |               | AC-21A<br>A                        | AC-23A<br>kW                   | AC-3<br>kW |  |
| ON-OFF Switches<br>Switching angle 90°     | 6 ... 8 | B200-D        | 50<br>63                           | 18,5<br>22                     | 15<br>18,5 | <b>B250 - 41 ... - 976M1</b><br><b>B263 - 41 ... - 976M1</b> |
| Changeover with OFF<br>Switching angle 90° | 3 ... 4 | B200-E        | 50<br>63                           | 18,5<br>22                     | 15<br>18,5 | <b>B250 - 71 ... - 978M1</b><br><b>B263 - 71 ... - 978M1</b> |

### SMD modules for basic switch A02

Mounting form module (switch module ED)  
Mounting form module (switch module ED)

B200-D  
B200-E

**BFE2 - ED**  
**BFF2 - ED**

Enclosure module, mounting form 978M1  
Enclosure module, mounting form 976M1

B200-D  
B200-E

**PAB2 - 978M1**  
**PAB2 - 976M1**

Legend plate silver, enclosure module 976M1/ 978M1

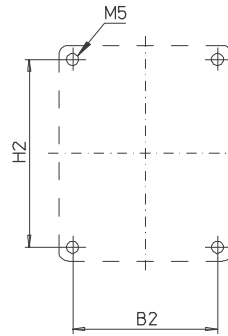
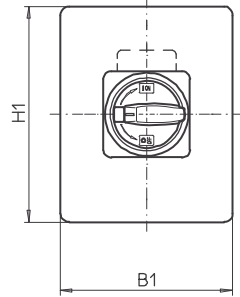
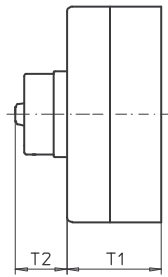
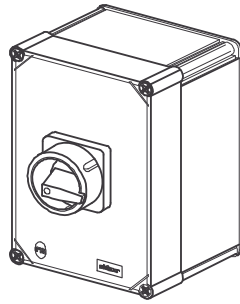
B200-E/ -D

**FAS6 - 9 ... (FA number)**

### Dimensions (mm)

| Product lines | H1  | B1  | T1  | T2 | H2  | B2  |
|---------------|-----|-----|-----|----|-----|-----|
| B200-D        | 320 | 220 | 180 | 52 | 293 | 193 |
| B200-E        | 320 | 220 | 180 | 52 | 293 | 193 |

# Enclosed Switches



**Product line  
B200-D**

**Enclosed switch**

**Insulated enclosure**  
320 x 220 x 180 mm

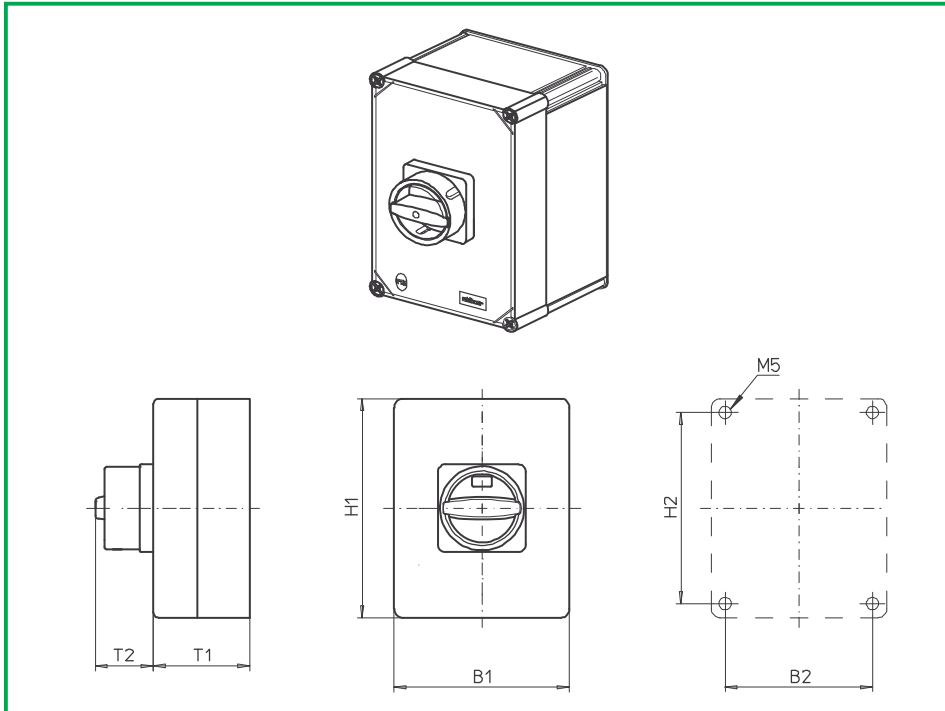
With cover interlock  
in ON position

**Cable entries**  
Gland plates

**977M1 (IP66)**  
**977M4 (IP66)**

| Complete switch   | Poles     | Product lines | Rated data (IEC 60947)                            |  |            | Order code number            |
|---|-----------|---------------|---|--|------------|------------------------------|
|   |           |               | Operational current I <sub>e</sub><br>AC-21A<br>A | Operational power at 380–440 V<br>AC-23A<br>kW | AC-3<br>kW |                              |
| Main Switches<br>OFF position padlockable 09h               | 6 ... 8   | B200-D        | 50  | 18,5   | 15         | <b>B250 - 41 ... - 977M1</b> |
|   |           |               | 63  | 22   | 18,5       | <b>B263 - 41 ... - 977M1</b> |
| Main/Emergency-Off Switches<br>OFF position padlockable 09h | 6 ... 8   | B200-D        | 50  | 18,5   | 15         | <b>B250 - 41 ... - 977M4</b> |
|   |           |               | 63  | 22   | 18,5       | <b>B263 - 41 ... - 977M4</b> |
| <b>SMD modules for basic switch A02</b>                     |           |               |   |  |            |                              |
| Mounting form module (switch module ED)                     |           |               | B200-D  |  |            | <b>BFE2 - ED</b>             |
| Enclosure module, mounting form 977M1                       |           |               |   |  |            | <b>PAB2 - 977M1</b>          |
| Enclosure module, mounting form 977M4                       |           |               |   |  |            | <b>PAB2 - 977M4</b>          |
| <b>Dimensions (mm)</b>                                      |           |               |   |  |            |                              |
| <b>Product lines</b>  | <b>H1</b> | <b>B1</b>     | <b>T1</b>   | <b>T2</b>                                      | <b>H2</b>  | <b>B2</b>                    |
| B200-D  | 320       | 220           | 180   | 50   | 293        | 193                          |

# Enclosed Switches



**Product line  
B200-D**

**Enclosed switch**

**Insulated enclosure**

320 x 220 x 180 mm

With cover interlock  
in ON position

**Cable entries**

Gland plates

**977N1 (IP66)**

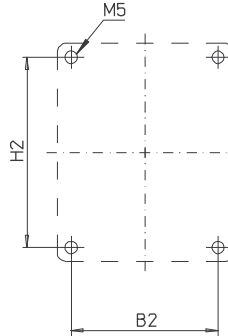
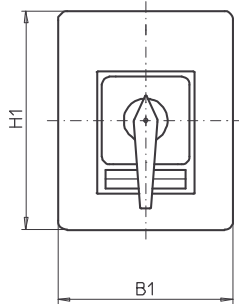
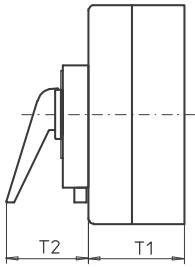
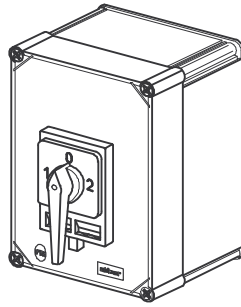
**977N4 (IP66)**

| Complete switch   | Poles   | Product lines | Rated data (IEC 60947)             |                                |            | Order code number  |
|---|---------|---------------|------------------------------------|--------------------------------|------------|--|
|   |         |               | Operational current I <sub>e</sub> | Operational power at 380–440 V |            |  |
|   |         |               | AC-21A<br>A                        | AC-23A<br>kW                   | AC-3<br>kW |  |
| Main Switches<br>OFF position padlockable 09h               | 6 ... 8 | B200-D        | 50<br>63                           | 18,5<br>22                     | 15<br>18,5 | <b>B250 - 41 ... - 977N1</b><br><b>B263 - 41 ... - 977N1</b> |
| Main/Emergency-Off Switches<br>OFF position padlockable 09h | 6 ... 8 | B200-D        | 50<br>63                           | 18,5<br>22                     | 15<br>18,5 | <b>B250 - 41 ... - 977N4</b><br><b>B263 - 41 ... - 977N4</b> |

| SMD modules for basic switch A02        |  |        |                     |
|---|--|--------|---------------------|
| Mounting form module (switch module ED) |  | B200-D | <b>BFE2 - ED</b>    |
| Enclosure module, mounting form 977N1   |  |        | <b>PAB2 - 977N1</b> |
| Enclosure module, mounting form 977N4   |  |        | <b>PAB2 - 977N4</b> |

| Dimensions (mm) |     |     |     |    |     |     |
|-----------------|-----|-----|-----|----|-----|-----|
| Product lines   | H1  | B1  | T1  | T2 | H2  | B2  |
| B200-D          | 320 | 220 | 180 | 45 | 293 | 193 |

# Enclosed Switches



**Product line  
B200-E**

**Enclosed switch**

**Insulated enclosure**  
320 x 220 x 180 mm

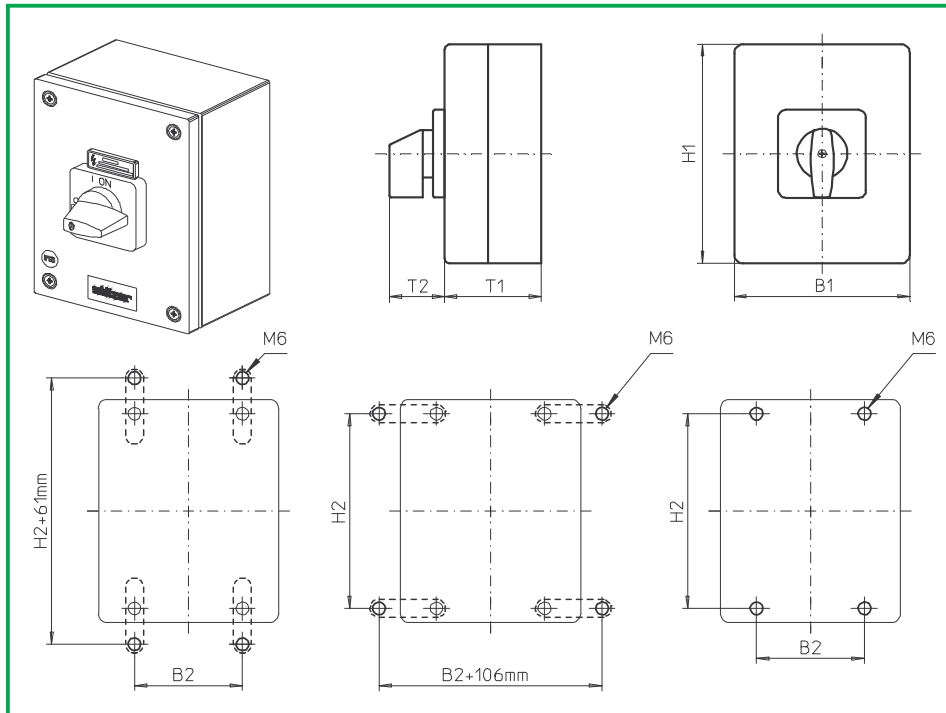
With cover interlock  
in ON position

**Cable entries**  
Gland plates

**976H1 (IP66)**  
**979H1 (IP66)**

| Complete switch  | Poles     | Product lines | Rated data (IEC 60947)             |                                |            | Order code number               |
|--|-----------|---------------|------------------------------------|--------------------------------|------------|---------------------------------|
|  |           |               | Operational current I <sub>e</sub> | Operational power at 380–440 V |            |                                 |
|  |           |               | AC-21A<br>A                        | AC-23A<br>kW                   | AC-3<br>kW |                                 |
| Changeover with OFF<br>Switching angle 90°<br>OFF position padlockable 12h             | 3 ... 4   | B200-E        | 50                                 | 18,5                           | 15         | <b>B250 - 71 ... - 976H1</b>    |
|  |           |               | 63                                 | 22                             | 18,5       | <b>B263 - 71 ... - 976H1</b>    |
| Changeover with OFF<br>Switching angle 90°<br>3 positions padlockable<br>(09h/12h/03h) | 3 ... 4   | B200-E        | 50                                 | 18,5                           | 15         | <b>B250 - 71 ... - 979H1</b>    |
|  |           |               | 63                                 | 22                             | 18,5       | <b>B263 - 71 ... - 979H1</b>    |
| <b>SMD modules for basic switch A02</b>  |           |               |                                    |                                |            |                                 |
| Mounting form module for 976H1/979H1   |           |               | B200-E                             |                                |            | <b>BFF2 - ED</b>                |
| Enclosure module, mounting form 976H1  |           |               |                                    |                                |            | <b>PAB2 - 976H1</b>             |
| Enclosure module, mounting form 979H1  |           |               |                                    |                                |            | <b>PAB2 - 979H1</b>             |
| Legend plate silver, enclosure module 976H1/979H1                                      |           |               |                                    |                                |            | <b>FAS6 - 9 ... (FA number)</b> |
| <b>Dimensions (mm)</b>   |           |               |                                    |                                |            |                                 |
| <b>Product lines</b>   | <b>H1</b> | <b>B1</b>     | <b>T1</b>                          | <b>T2</b>                      | <b>H2</b>  | <b>B2</b>                       |
| B200-E   | 320       | 220           | 180                                | 83                             | 293        | 193                             |

# Enclosed Switches



**Product line  
B200-A**

**Enclosed switch**

**Mild steel enclosure  
powder coated**

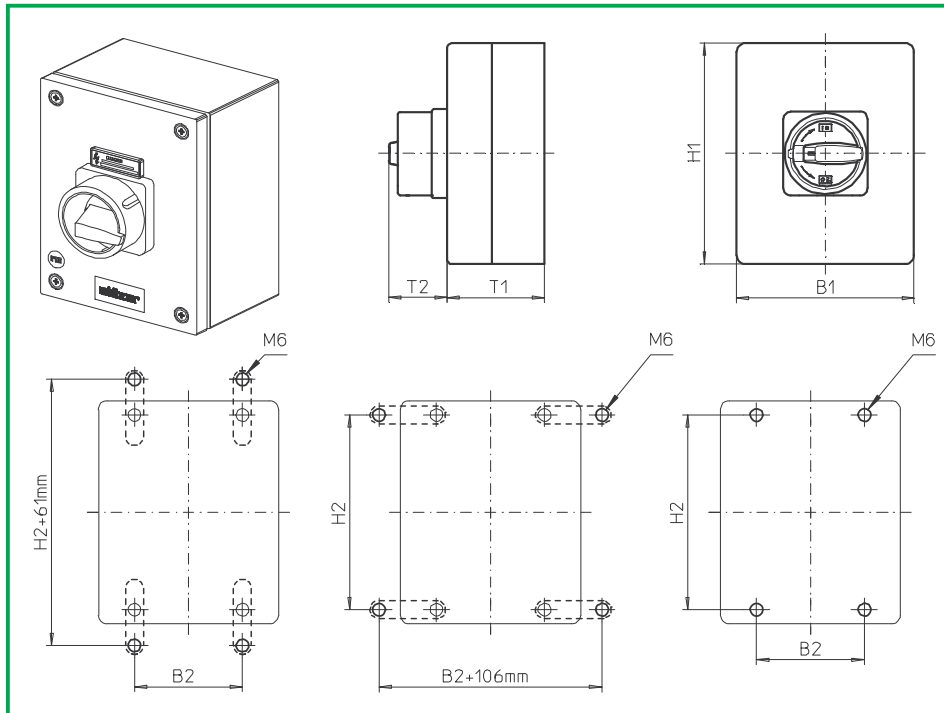
200 x 150 x 120 mm

with cover interlock  
in ON position

**086M1 (IP66)**

| Complete switch  | Poles     | Product lines | Rated data (IEC 60947)             |                                |            | Order code number  |
|--|-----------|---------------|------------------------------------|--------------------------------|------------|--|
|  |           |               | Operational current I <sub>e</sub> | Operational power at 380–440 V |            |  |
|  |           |               | AC-21A<br>A                        | AC-23A<br>kW                   | AC-3<br>kW |  |
| ON-OFF Switches<br>Switching angle 90°   | 3 ... 4   | B200-A        | 50<br>63                           | 18,5<br>22                     | 15<br>18,5 | <b>B250 - 41 ... - 086M1</b><br><b>B263 - 41 ... - 086M1</b> |
| <b>SMD modules for basic switch A02</b>  |           |               |                                    |                                |            |  |
| Mounting form module (switch module ED)  |           |               | B200-A                             |                                |            | <b>BFD2 - ED</b>   |
| Enclosure module, mounting form 086M1  |           |               |                                    |                                |            | <b>SAB2 - 086M1</b>  |
| Legend plate silver, enclosure module 086M1  |           |               |                                    |                                |            | <b>FAS4 - 9...</b> (FA number)                               |
| <b>Mounting brackets for enclosure modules SA (1 set)</b><br>(Please order separately – accessories see page D5-1) |           |               |                                    |                                |            | <b>SAX1</b>  |
| <b>Dimensions (mm)</b>   |           |               |                                    |                                |            |  |
| <b>Product lines</b>   | <b>H1</b> | <b>B1</b>     | <b>T1</b>                          | <b>T2</b>                      | <b>H2</b>  | <b>B2</b>  |
| B200-A   | 200       | 150           | 120                                | 39                             | 182        | 85   |

# Enclosed Switches



**Product line  
B200-A**

**Enclosed switch**

**Mild steel enclosure  
powder coated**

200 x 150 x 120 mm

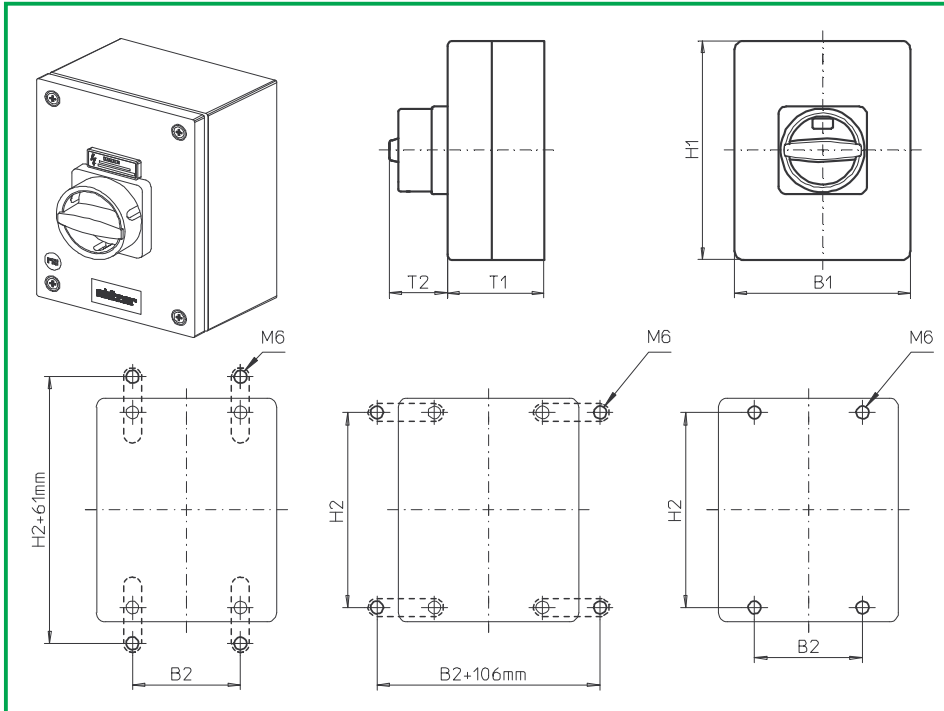
with cover interlock  
in ON position

**087M1 (IP66)  
087M4 (IP66)**

| Complete switch  | Poles     | Product lines | Rated data (IEC 60947)             |                                |              | Order code number            |
|--|-----------|---------------|------------------------------------|--------------------------------|--------------|------------------------------|
|  |           |               | Operational current I <sub>e</sub> | Operational power at 380–440 V |              |                              |
|  |           |               | AC-21A<br>A                        | AC-23A<br>kW                   | AC-3<br>kW   |                              |
| Main Switches<br>OFF position padlockable 09h  | 3 ... 4   | B200-A        | 50                                 | 18,5                           | 15           | <b>B250 - 41 ... - 087M1</b> |
|  |           |               | 63                                 | 22                             | 18,5         | <b>B263 - 41 ... - 087M1</b> |
| Main/Emergency-Off Switches<br>OFF position padlockable 09h  | 3 ... 4   | B200-A        | 50                                 | 18,5                           | 15           | <b>B250 - 41 ... - 087M4</b> |
|  |           |               | 63                                 | 22                             | 18,5         | <b>B263 - 41 ... - 087M4</b> |
| Realisable switching programmes:<br>3-pole <b>41300</b> , 41311, 41320<br>4-pole <b>41400</b> , 41411 and 41420    |           |               |                                    |                                |              |                              |
| <b>SMD modules for basic switch A02</b>  |           |               |                                    |                                |              |                              |
| Mounting form module (switch module ED)  |           |               | B200-A                             |                                | BFD2 - ED    |                              |
| Enclosure module, mounting forms 087M1   |           |               |                                    |                                | SAB2 - 087M1 |                              |
| Enclosure module, mounting forms 087M4   |           |               |                                    |                                | SAB2 - 087M4 |                              |
| <b>Mounting brackets for enclosure modules SA (1 set)</b><br>(Please order separately – accessories see page D5-1) |           |               |                                    |                                | SAX1         |                              |
| <b>Dimensions (mm)</b>   |           |               |                                    |                                |              |                              |
| <b>Product lines</b>   | <b>H1</b> | <b>B1</b>     | <b>T1</b>                          | <b>T2</b>                      | <b>H2</b>    | <b>B2</b>                    |
| B200-A   | 200       | 150           | 120                                | 38                             | 182          | 85                           |



# Enclosed Switches



**Product line  
B200-A**

**Enclosed switch**

**Mild steel enclosure  
powder coated**

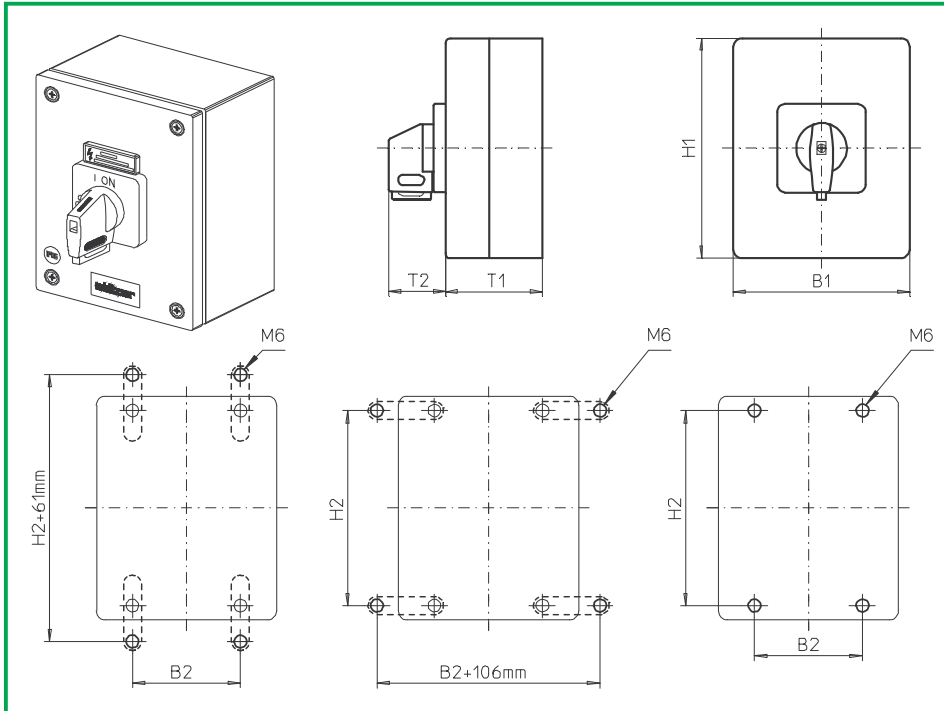
200 x 150 x 120 mm

with cover interlock  
in ON position

**087N1 (IP66)  
087N4 (IP66)**

| Complete switch  | Poles     | Product lines | Rated data (IEC 60947)                            |  |            | Order code number  |
|--|-----------|---------------|---|--|------------|--|
|  |           |               | Operational current I <sub>e</sub><br>AC-21A<br>A | Operational power at 380–440 V<br>AC-23A<br>kW | AC-3<br>kW |  |
| Main Switches<br>OFF position padlockable 09h  | 3 ... 4   | B200-A        | 50<br>63  | 18,5<br>22                                     | 15<br>18,5 | <b>B250 - 41 ... - 087N1</b><br><b>B263 - 41 ... - 087N1</b> |
| Main/Emergency-Off Switches<br>OFF position padlockable 09h  | 3 ... 4   | B200-A        | 50<br>63  | 18,5<br>22                                     | 15<br>18,5 | <b>B250 - 41 ... - 087N4</b><br><b>B263 - 41 ... - 087N4</b> |
| Realisable switching programmes:<br>3-pole <b>41300</b> , 41311, 41320<br>4-pole <b>41400</b> , 41411 and 41420    |           |               |   |  |            |  |
| <b>SMD modules for basic switch A02</b>  |           |               |   |  |            |  |
| Mounting form module (switch module ED)  |           |               | B200-A  |  |            | <b>BFD2 - ED</b>   |
| Enclosure module, mounting forms 087N1   |           |               |   |  |            | <b>SAB2 - 087N1</b>  |
| Enclosure module, mounting forms 087N4   |           |               |   |  |            | <b>SAB2 - 087N4</b>  |
| <b>Mounting brackets for enclosure modules SA (1 set)</b><br>(Please order separately – accessories see page D5-1) |           |               |   |  |            | <b>SAX1</b>  |
| <b>Dimensions (mm)</b>   |           |               |   |  |            |  |
| <b>Product lines</b>   | <b>H1</b> | <b>B1</b>     | <b>T1</b>   | <b>T2</b>                                      | <b>H2</b>  | <b>B2</b>  |
| B200-A   | 200       | 150           | 120   | 33   | 182        | 85   |

# Enclosed Switches



**Product line  
B200-A**

**Enclosed switch**

**Mild steel enclosure  
powder coated**

200 x 150 x 120 mm

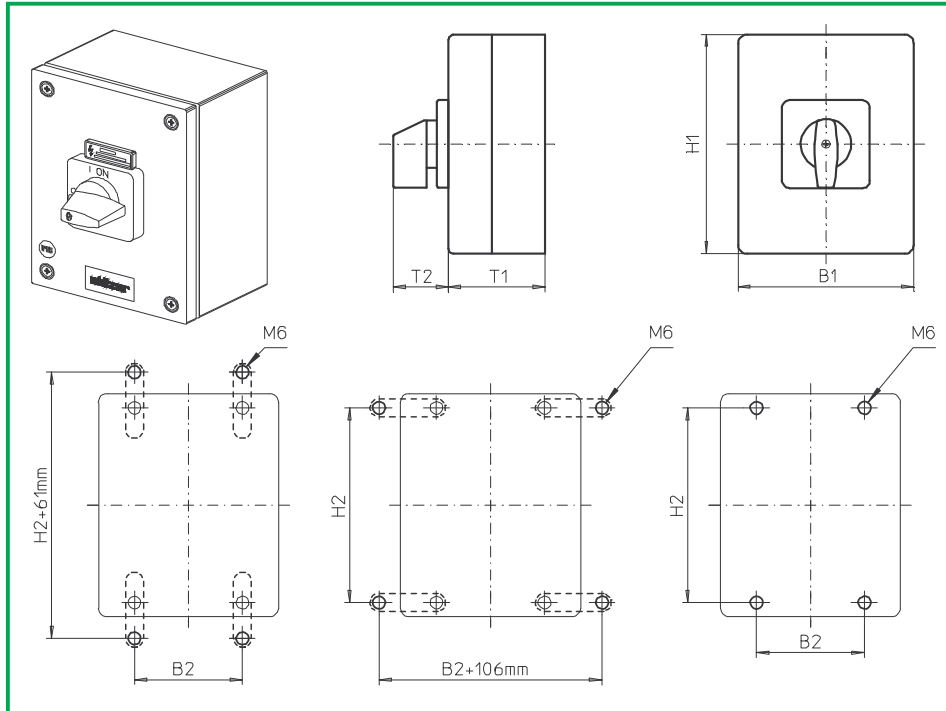
with cover interlock  
in ON position

**087V1 (IP66)**

**087V4 (IP66)**

| Complete switch  | Poles     | Product lines | Rated data (IEC 60947)                            |  |            | Order code number  |
|--|-----------|---------------|---|--|------------|--|
|  |           |               | Operational current I <sub>e</sub><br>AC-21A<br>A | Operational power at 380–440 V<br>AC-23A<br>kW | AC-3<br>kW |  |
| Main Switches<br>OFF position padlockable 09h  | 3 ... 4   | B200-A        | 50<br>63  | 18,5<br>22                                     | 15<br>18,5 | <b>B250 - 41 ... - 087V1</b><br><b>B263 - 41 ... - 087V1</b> |
| Main/Emergency-Off Switches<br>OFF position padlockable 09h  | 3 ... 4   | B200-A        | 50<br>63  | 18,5<br>22                                     | 15<br>18,5 | <b>B250 - 41 ... - 087V4</b><br><b>B263 - 41 ... - 087V4</b> |
| Realisable switching programmes:<br>3-pole <b>41300</b> , 41311, 41320<br>4-pole <b>41400</b> , 41411 and 41420    |           |               |   |  |            |  |
| <b>SMD modules for basic switch A02</b>  |           |               |   |  |            |  |
| Mounting form module (switch module ED)  |           |               | B200-A  |  |            | <b>BFD2 - ED</b>   |
| Enclosure module, mounting forms 087V1   |           |               |   |  |            | <b>SAB2 - 087V1</b>  |
| Enclosure module, mounting forms 087V4   |           |               |   |  |            | <b>SAB2 - 087V4</b>  |
| Legend plate silver, enclosure module 087V1  |           |               |   |  |            | <b>FAS4 - 9...</b> (FA number)                               |
| Legend plate yellow, enclosure module 087V4  |           |               |   |  |            | <b>FBS4 - 9...</b> (FA number)                               |
| <b>Mounting brackets for enclosure modules SA (1 set)</b><br>(Please order separately – accessories see page D5-1) |           |               |   |  |            | <b>SAX1</b>  |
| <b>Dimensions (mm)</b>   |           |               |   |  |            |  |
| <b>Product lines</b>   | <b>H1</b> | <b>B1</b>     | <b>T1</b>   | <b>T2</b>                                      | <b>H2</b>  | <b>B2</b>  |
| B200-A   | 200       | 150           | 120   | 39   | 182        | 85   |

# Enclosed Switches



**Product lines  
B200-D/ -E**

**Enclosed switch**

**Mild steel enclosure  
powder coated**

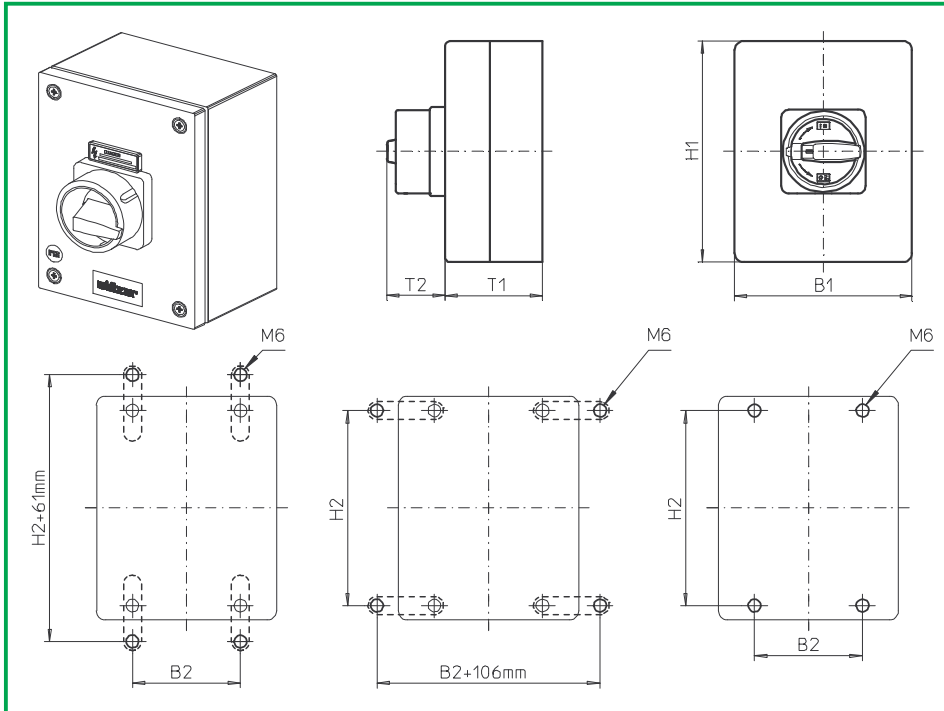
300 x 250 x 150 mm

with cover interlock  
in ON position

**186M1 (IP66)**

| Complete switch  | Poles     | Product lines | Rated data (IEC 60947)             |                                |            | Order code number  |
|--|-----------|---------------|------------------------------------|--------------------------------|------------|--|
|  |           |               | Operational current I <sub>e</sub> | Operational power at 380–440 V |            |  |
|  |           |               | AC-21A<br>A                        | AC-23A<br>kW                   | AC-3<br>kW |  |
| ON-OFF Switches<br>Switching angle 90°   | 6 ... 8   | B200-D        | 50<br>63                           | 18,5<br>22                     | 15<br>18,5 | <b>B250 - 41 ... -186M1</b><br><b>B263 - 41 ... -186M1</b> |
| Changeover with OFF<br>Switching angle 90°   | 3 ... 4   | B200-E        | 50<br>63                           | 18,5<br>22                     | 15<br>18,5 | <b>B250 - 71 ... -186M1</b><br><b>B263 - 71 ... -186M1</b> |
| <b>SMD modules for basic switch A02</b>  |           |               |                                    |                                |            |  |
| Mounting form module (switch module ED)  |           |               | B200-D                             |                                |            | <b>BFE2 - ED</b>   |
| Mounting form module (switch module ED)  |           |               | B200-E                             |                                |            | <b>BFF2 - ED</b>   |
| Enclosure module, mounting form 186M1  |           |               | B200-D/ -E                         |                                |            | <b>SAB2 - 186M1</b>  |
| Legend plate silver, enclosure module 186M1  |           |               | B200-D/ -E                         |                                |            | <b>FAS6 - 9...</b> (FA number)                             |
| <b>Mounting brackets for enclosure modules SA (1 set)</b><br>(Please order separately – accessories see page D5-1) |           |               |                                    |                                |            | <b>SAX1</b>  |
| <b>Dimensions (mm)</b>   |           |               |                                    |                                |            |  |
| <b>Product lines</b>   | <b>H1</b> | <b>B1</b>     | <b>T1</b>                          | <b>T2</b>                      | <b>H2</b>  | <b>B2</b>  |
| B200-D/ -E   | 300       | 250           | 150                                | 52                             | 282        | 185  |

# Enclosed Switches



**Product line  
B200-D**

**Enclosed switch**

**Mild steel enclosure  
powder coated**

300 x 250 x 150 mm

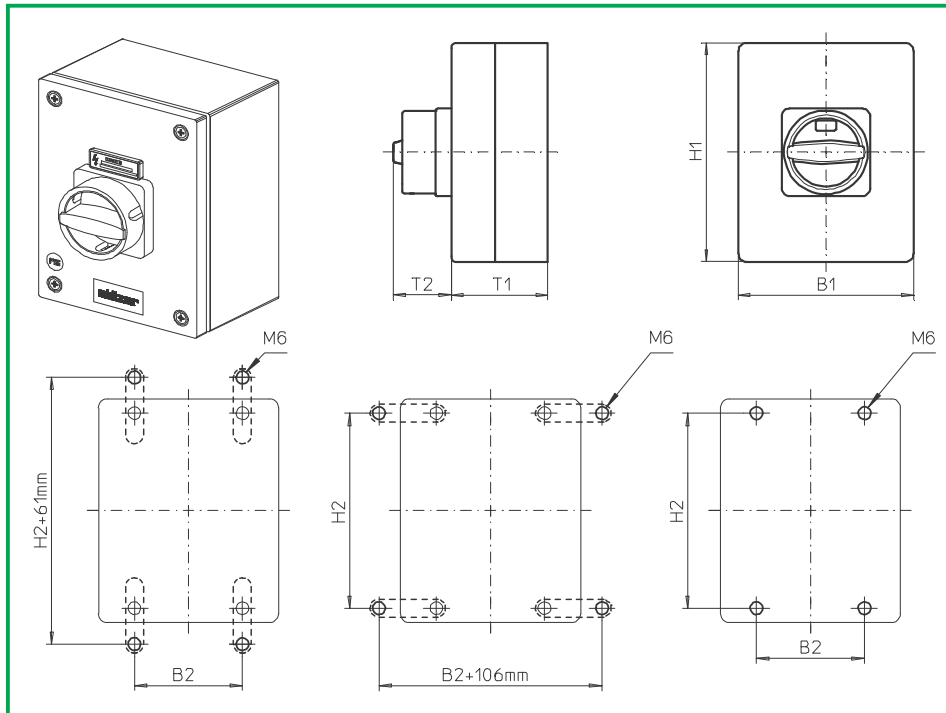
with cover interlock  
in ON position

**187M1 (IP66)**

**187M4 (IP66)**

| Complete switch  | Poles     | Product lines | Rated data (IEC 60947)                            |  |                     | Order code number  |
|--|-----------|---------------|---|--|---------------------|--|
|  |           |               | Operational current I <sub>e</sub><br>AC-21A<br>A | Operational power at 380–440 V<br>AC-23A<br>kW | AC-3<br>kW          |  |
| Main Switches<br>OFF position padlockable 09h  | 6 ... 8   | B200-D        | 50<br>63  | 18,5<br>22                                     | 15<br>18,5          | <b>B250 - 41 ... - 187M1</b><br><b>B263 - 41 ... - 187M1</b> |
| Main/Emergency-Off Switches<br>OFF position padlockable 09h  | 6 ... 8   | B200-D        | 50<br>63  | 18,5<br>22                                     | 15<br>18,5          | <b>B250 - 41 ... - 187M4</b><br><b>B263 - 41 ... - 187M4</b> |
| <b>SMD modules for basic switch A02</b>  |           |               |   |  |                     |  |
| Mounting form module (switch module ED)  |           |               | B200-D  |  | <b>BFE2 - ED</b>    |  |
| Enclosure module, mounting forms 187M1   |           |               |   |  | <b>SAB2 - 187M1</b> |  |
| Enclosure module, mounting forms 187M4   |           |               |   |  | <b>SAB2 - 187M4</b> |  |
| <b>Mounting brackets for enclosure modules SA (1 set)</b><br>(Please order separately – accessories see page D5-1) |           |               |   |  | <b>SAX1</b>         |  |
| <b>Dimensions (mm)</b>   |           |               |   |  |                     |  |
| <b>Product lines</b>   | <b>H1</b> | <b>B1</b>     | <b>T1</b>   | <b>T2</b>                                      | <b>H2</b>           | <b>B2</b>  |
| B200-D   | 300       | 250           | 150   | 50   | 282                 | 185  |

# Enclosed Switches



**Product line  
B200-D**

**Enclosed switch**

**Mild steel enclosure  
powder coated**

300 x 250 x 150 mm

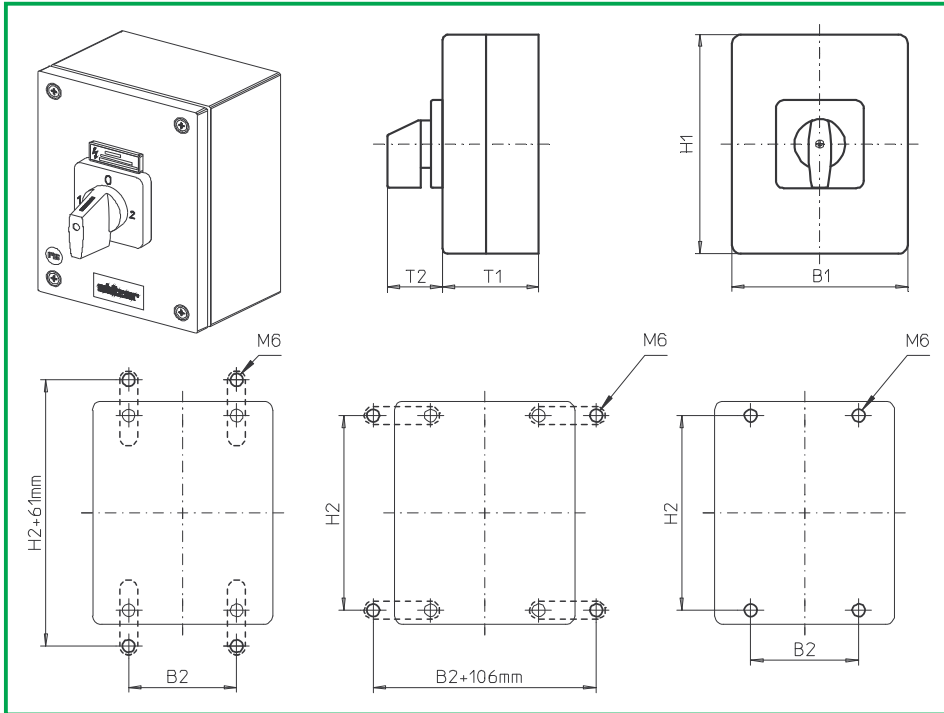
with cover interlock  
in ON position

**187N1 (IP66)**

**187N4 (IP66)**

| Complete switch  | Poles     | Product lines | Rated data (IEC 60947)                            |  |            | Order code number            |
|--|-----------|---------------|---|--|------------|------------------------------|
|  |           |               | Operational current I <sub>e</sub><br>AC-21A<br>A | Operational power at 380–440 V<br>AC-23A<br>kW | AC-3<br>kW |                              |
| Main Switches<br>OFF position padlockable 09h  | 6 ... 8   | B200-D        | 50  | 18,5   | 15         | <b>B250 - 41 ... - 187N1</b> |
|  |           |               | 63  | 22   | 18,5       | <b>B263 - 41 ... - 187N1</b> |
| Main/Emergency-Off Switches<br>OFF position padlockable 09h  | 6 ... 8   | B200-D        | 50  | 18,5   | 15         | <b>B250 - 41 ... - 187N4</b> |
|  |           |               | 63  | 22   | 18,5       | <b>B263 - 41 ... - 187N4</b> |
| <b>SMD modules for basic switch A02</b>  |           |               |   |  |            |                              |
| Mounting form module (switch module ED)  |           |               | B200-D  |  |            | <b>BFE2 - ED</b>             |
| Enclosure module, mounting forms 187N1   |           |               |   |  |            | <b>SAB2 - 187N1</b>          |
| Enclosure module, mounting forms 187N4   |           |               |   |  |            | <b>SAB2 - 187N4</b>          |
| <b>Mounting brackets for enclosure modules SA (1 set)</b><br>(Please order separately – accessories see page D5-1) |           |               |   |  |            | <b>SAX1</b>                  |
| <b>Dimensions (mm)</b>   |           |               |   |  |            |                              |
| <b>Product lines</b>   | <b>H1</b> | <b>B1</b>     | <b>T1</b>   | <b>T2</b>                                      | <b>H2</b>  | <b>B2</b>                    |
| B200-D   | 300       | 250           | 150   | 45   | 282        | 185                          |

# Enclosed Switches



**Product line  
B200-E**

**Enclosed switch**

**Mild steel enclosure  
powder coated**

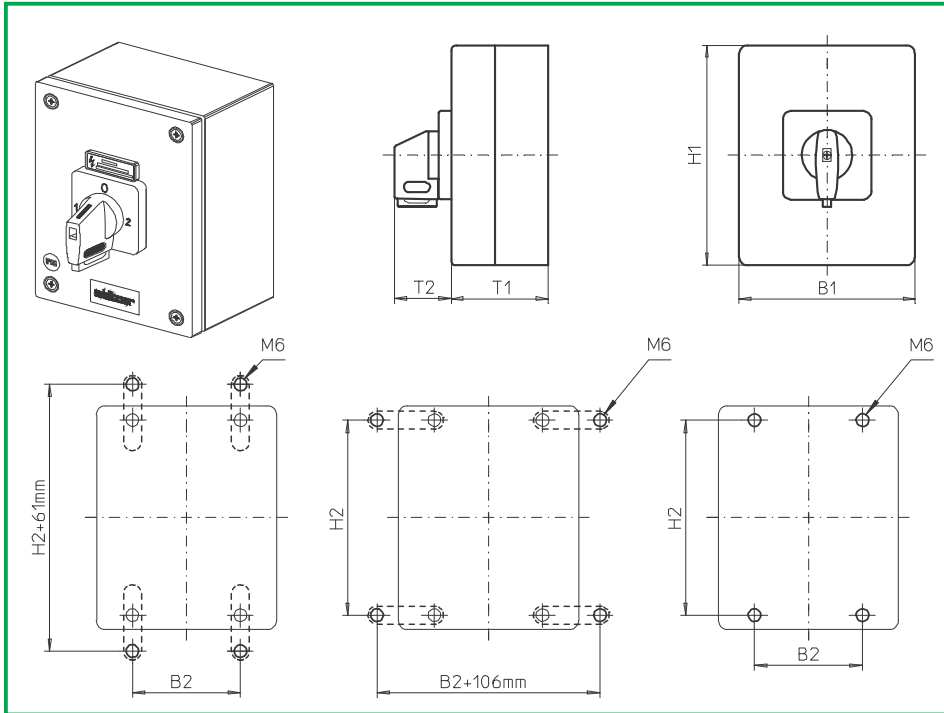
300 x 250 x 150 mm

with cover interlock  
in ON position

**188M1 (IP66)**

| Complete switch  | Poles     | Product lines | Rated data (IEC 60947)    |                                |            | Order code number  |
|--|-----------|---------------|---------------------------|--------------------------------|------------|--|
|  |           |               | Operational current $I_e$ | Operational power at 380–440 V |            |  |
|  |           |               | AC-21A<br>A               | AC-23A<br>kW                   | AC-3<br>kW |  |
| Changeover with OFF<br>Switching angle 90°   | 3 ... 4   | B200-E        | 50<br>63                  | 18,5<br>22                     | 15<br>18,5 | <b>B250 - 71 ... -188M1</b><br><b>B263 - 71 ... -188M1</b> |
| <b>SMD modules for basic switch A02</b>  |           |               |                           |                                |            |  |
| Mounting form module (switch module ED)  |           |               | B200-E                    |                                |            | <b>BFF2 - ED</b>   |
| Enclosure module, mounting form 188M1  |           |               |                           |                                |            | <b>SAB2 - 188M1</b>  |
| Legend plate silver, enclosure module 188M1  |           |               |                           |                                |            | <b>FAS6 - 9...</b> (FA number)                             |
| <b>Mounting brackets for enclosure modules SA (1 set)</b><br>(Please order separately – accessories see page D5-1) |           |               |                           |                                |            | <b>SAX1</b>  |
| <b>Dimensions (mm)</b>   |           |               |                           |                                |            |  |
| <b>Product line</b>  | <b>H1</b> | <b>B1</b>     | <b>T1</b>                 | <b>T2</b>                      | <b>H2</b>  | <b>B2</b>  |
| B200-E   | 300       | 250           | 150                       | 52                             | 282        | 185  |

# Enclosed Switches



**Product line  
B200-E**

**Enclosed switch**

**Mild steel enclosure  
powder coated**

300 x 250 x 150 mm

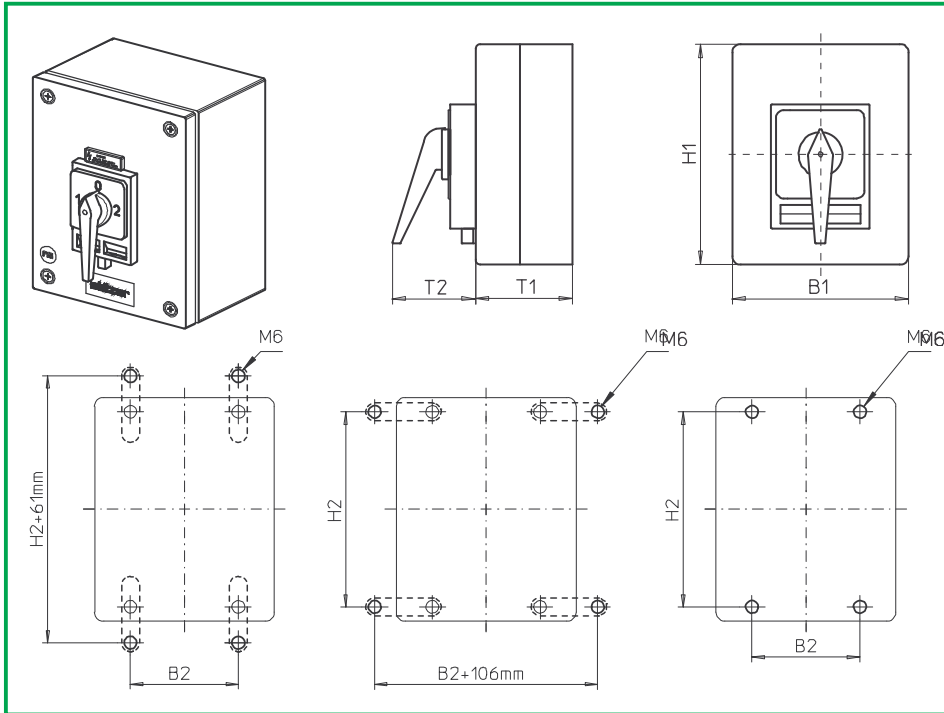
with cover interlock  
in ON position

**186V1 (IP66)**

**188V1 (IP66)**

| Complete switch  | Poles     | Product lines | Rated data (IEC 60947)    |                                |            | Order code number              |
|--|-----------|---------------|---------------------------|--------------------------------|------------|--------------------------------|
|  |           |               | Operational current $I_e$ | Operational power at 380–440 V |            |                                |
|  |           |               | AC-21A<br>A               | AC-23A<br>kW                   | AC-3<br>kW |                                |
| Changeover with OFF<br>Switching angle 90°<br>OFF position padlockable 12h   | 3 ... 4   | B200-E        | 50                        | 18,5                           | 15         | <b>B250 - 71 ... - 186V1</b>   |
|  |           |               | 63                        | 22                             | 18,5       | <b>B263 - 71 ... - 186V1</b>   |
| Changeover with OFF<br>Switching angle 90°<br>3 positions padlockable<br>(09h/12h/03h)                             | 3 ... 4   | B200-E        | 50                        | 18,5                           | 15         | <b>B250 - 71 ... - 188V1</b>   |
|  |           |               | 63                        | 22                             | 18,5       | <b>B263 - 71 ... - 188V1</b>   |
| <b>SMD modules for basic switch A02</b>  |           |               |                           |                                |            |                                |
| Mounting form module (switch module ED)  |           |               | B200-E                    |                                |            | <b>BFF2 - ED</b>               |
| Enclosure module, mounting form 186V1  |           |               |                           |                                |            | <b>SAB2 - 186V1</b>            |
| Enclosure module, mounting form 188V1  |           |               |                           |                                |            | <b>SAB2 - 188V1</b>            |
| Legend plate silver, enclosure modules 186V1/ 188V1  |           |               |                           |                                |            | <b>FAS4 - 9...</b> (FA number) |
| <b>Mounting brackets for enclosure modules SA</b> (1 set)<br>(Please order separately – accessories see page D5-1) |           |               |                           |                                |            | <b>SAX1</b>                    |
| <b>Dimensions (mm)</b>   |           |               |                           |                                |            |                                |
| <b>Product line</b>  | <b>H1</b> | <b>B1</b>     | <b>T1</b>                 | <b>T2</b>                      | <b>H2</b>  | <b>B2</b>                      |
| B200-E   | 300       | 250           | 150                       | 39                             | 282        | 185                            |

# Enclosed Switches



**Product line  
B200-E**

**Enclosed switch**

**Mild steel enclosure  
powder coated**

300 x 250 x 150 mm

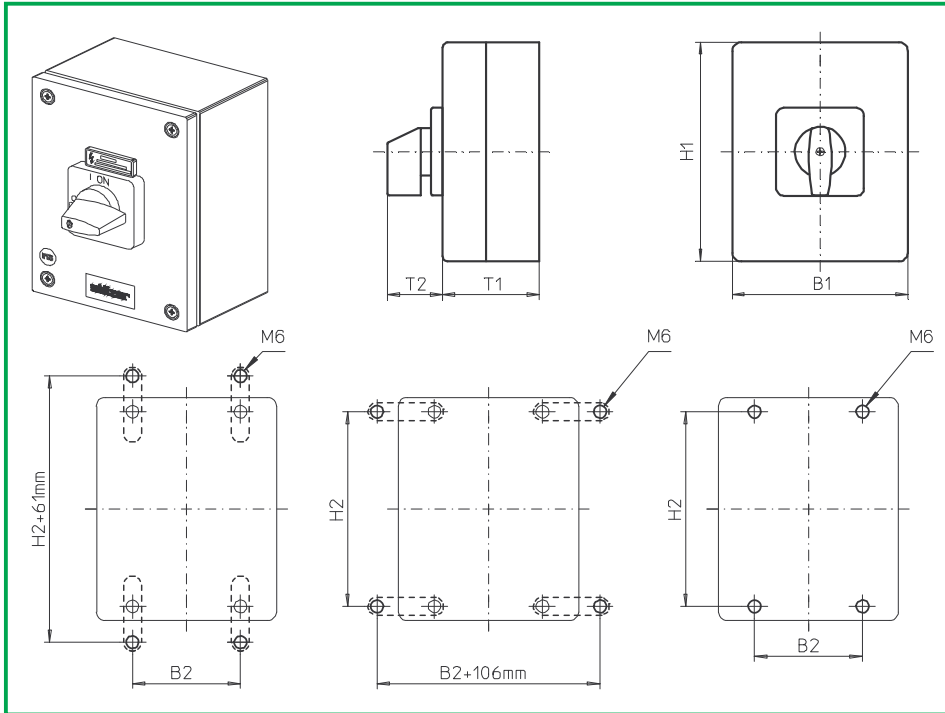
with cover interlock  
in ON position

**186H1 (IP66)  
188H1 (IP66)**

| Complete switch  | Poles     | Product lines | Rated data (IEC 60947)             |                                |            | Order code number  |
|--|-----------|---------------|------------------------------------|--------------------------------|------------|--|
|  |           |               | Operational current I <sub>e</sub> | Operational power at 380–440 V |            |  |
|  |           |               | AC-21A<br>A                        | AC-23A<br>kW                   | AC-3<br>kW |  |
| Changeover with OFF<br>Switching angle 90°<br>OFF position padlockable 12h   | 3 ... 4   | B200-E        | 50<br>63                           | 18,5<br>22                     | 15<br>18,5 | <b>B250 - 71 ... - 186H1</b><br><b>B263 - 71 ... - 186H1</b> |
| Changeover with OFF<br>Switching angle 90°<br>3 positions padlockable<br>(09h/12h/03h)                             | 3 ... 4   | B200-E        | 50<br>63                           | 18,5<br>22                     | 15<br>18,5 | <b>B250 - 71 ... - 188H1</b><br><b>B263 - 71 ... - 188H1</b> |
| <b>SMD modules for basic switch A02</b>  |           |               |                                    |                                |            |  |
| Mounting form module for 186H1/188H1   |           |               |                                    | B200-E                         |            | <b>BFF2 - ED</b>   |
| Enclosure module, mounting forms 186H1   |           |               |                                    |                                |            | <b>SAB2 - 186H1</b>  |
| Enclosure module, mounting forms 188H1   |           |               |                                    |                                |            | <b>SAB2 - 188H1</b>  |
| Legend plate silver, enclosure module 186H1/188H1  |           |               |                                    |                                |            | <b>FAS6 - 9006</b>   |
| <b>Mounting brackets for enclosure modules SA (1 set)</b><br>(Please order separately – accessories see page D5-1) |           |               |                                    |                                |            | <b>SAX1</b>  |
| <b>Dimensions (mm)</b>   |           |               |                                    |                                |            |  |
| <b>Product line</b>  | <b>H1</b> | <b>B1</b>     | <b>T1</b>                          | <b>T2</b>                      | <b>H2</b>  | <b>B2</b>  |
| B200-E   | 300       | 250           | 150                                | 83                             | 282        | 185  |



# Enclosed Switches



**Product line  
B200-A**

**Enclosed switch**

**Mild steel enclosure  
powder coated**

200 x 150 x 120 mm

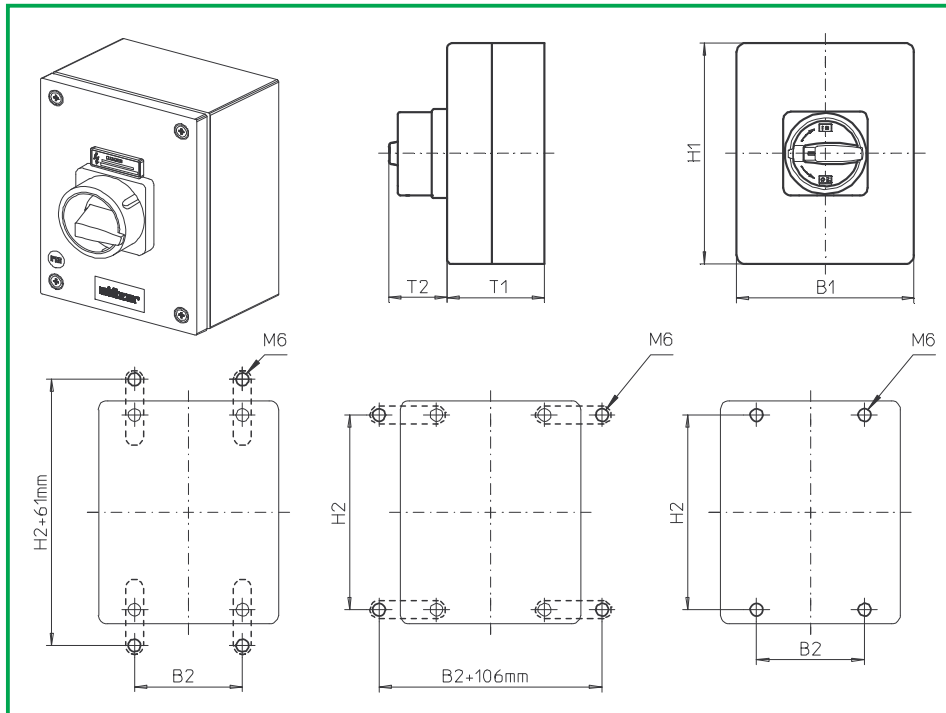
with cover interlock  
in ON position

without N module(s)  
in the enclosure

**586M1 (IP66)**

| Complete switch   | Poles     | Product lines | Rated data (IEC 60947)             |                                |            | Order code number  |
|---|-----------|---------------|------------------------------------|--------------------------------|------------|--|
|   |           |               | Operational current I <sub>e</sub> | Operational power at 380–440 V |            |  |
|   |           |               | AC-21A<br>A                        | AC-23A<br>kW                   | AC-3<br>kW |  |
| ON-OFF Switches<br>Switching angle 90°  | 2 or<br>4 | B200-A        | 50<br>63                           | 18,5<br>22                     | 15<br>18,5 | <b>B250 - 41 ... - 586M1</b><br><b>B263 - 41 ... - 586M1</b> |
| <p>Realisable switching programmes:<br/>                     2-pole <b>41200</b>, 41211, 41220<br/>                     4-pole <b>41400</b>, 41411 and 41420</p>  |           |               |                                    |                                |            |  |
| <p><b>SMD modules for basic switch A02</b></p> <p>Mounting form module (switch module ED) <span style="float: right;">B200-A</span> <span style="float: right;"><b>BFD2 - ED</b></span></p> <p>Enclosure module, mounting form 586M1 <span style="float: right;"><b>SAH2 - 686M1</b></span></p> <p>Legend plate silver, enclosure module 586M1 <span style="float: right;"><b>FAS4 - 9...</b> (FA number)</span></p> <p><b>Mounting brackets for enclosure modules SA (1 set)</b> <span style="float: right;"><b>SAX1</b></span><br/>                     (Please order separately – accessories see page D5-1)</p> |           |               |                                    |                                |            |  |
| <b>Dimensions (mm)</b>  |           |               |                                    |                                |            |  |
| <b>Product lines</b>  | <b>H1</b> | <b>B1</b>     | <b>T1</b>                          | <b>T2</b>                      | <b>H2</b>  | <b>B2</b>  |
| B200-A  | 200       | 150           | 120                                | 39                             | 182        | 85   |

# Enclosed Switches



**Product line  
B200-A**

**Enclosed switch**

**Mild steel enclosure  
powder coated**

200 x 150 x 120 mm

with cover interlock  
in ON position

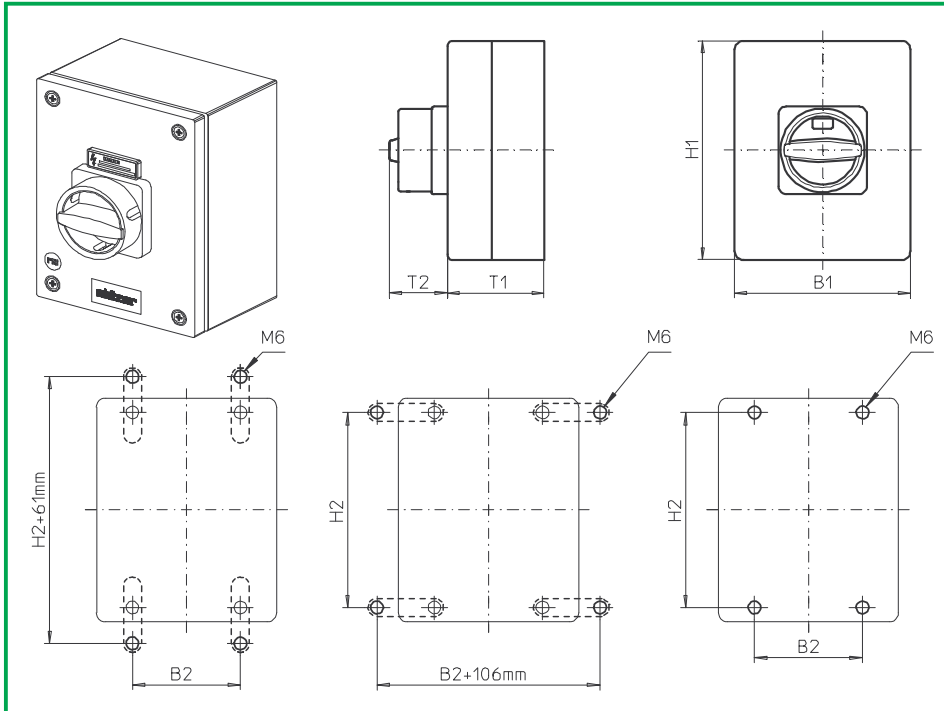
without N module(s)  
in the enclosure

**587M1 (IP66)**

**587M4 (IP66)**

| Complete switch  | Poles     | Product lines | Rated data (IEC 60947)             |                                |              | Order code number  |
|--|-----------|---------------|------------------------------------|--------------------------------|--------------|--|
|  |           |               | Operational current I <sub>e</sub> | Operational power at 380–440 V |              |  |
|  |           |               | AC-21A<br>A                        | AC-23A<br>kW                   | AC-3<br>kW   |  |
| Main Switches<br>OFF position padlockable 09h  | 2 or      | B200-A        | 50                                 | 18,5                           | 15           | <b>B250 - 41 ... - 587M1</b><br><b>B263 - 41 ... - 587M1</b> |
|  | 4         |               | 63                                 | 22                             | 18,5         |  |
| Main/Emergency-Off Switches<br>OFF position padlockable 09h  | 2 or      | B200-A        | 50                                 | 18,5                           | 15           | <b>B250 - 41 ... - 587M4</b><br><b>B263 - 41 ... - 587M4</b> |
|  | 4         |               | 63                                 | 22                             | 18,5         |  |
| Realisable switching programmes:<br>2-pole <b>41200</b> , 41211, 41220<br>4-pole <b>41400</b> , 41411 and 41420    |           |               |                                    |                                |              |  |
| <b>SMD modules for basic switch A02</b>  |           |               |                                    |                                |              |  |
| Mounting form module (switch module ED)  |           |               | B200-A                             |                                | BFD2 - ED    |  |
| Enclosure module, mounting forms 587M1   |           |               |                                    |                                | SAH2 - 687M1 |  |
| Enclosure module, mounting forms 587M4   |           |               |                                    |                                | SAH2 - 687M4 |  |
| <b>Mounting brackets for enclosure modules SA (1 set)</b><br>(Please order separately – accessories see page D5-1) |           |               |                                    |                                | SAX1         |  |
| <b>Dimensions (mm)</b>   |           |               |                                    |                                |              |  |
| <b>Product lines</b>   | <b>H1</b> | <b>B1</b>     | <b>T1</b>                          | <b>T2</b>                      | <b>H2</b>    | <b>B2</b>  |
| B200-A   | 200       | 150           | 120                                | 38                             | 182          | 85   |

# Enclosed Switches



**Product line  
B200-A**

**Enclosed switch**

**Mild steel enclosure  
powder coated**

200 x 150 x 120 mm

with cover interlock  
in ON position

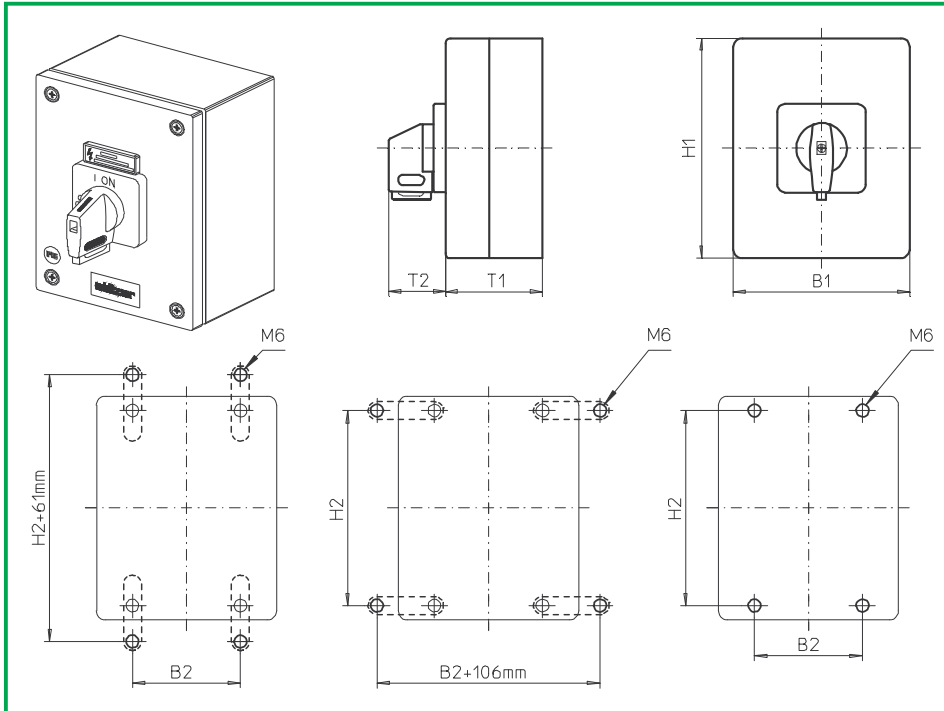
without N module(s)  
in the enclosure

**587N1 (IP66)**

**587N4 (IP66)**

| Complete switch  | Poles     | Product lines | Rated data (IEC 60947)                            |  |            | Order code number  |
|--|-----------|---------------|---|--|------------|--|
|  |           |               | Operational current I <sub>e</sub><br>AC-21A<br>A | Operational power at 380–440 V<br>AC-23A<br>kW | AC-3<br>kW |  |
| Main Switches<br>OFF position padlockable 09h  | 2 or<br>4 | B200-A        | 50<br>63  | 18,5<br>22                                     | 15<br>18,5 | <b>B250 - 41 ... - 587N1</b><br><b>B263 - 41 ... - 587N1</b> |
| Main/Emergency-Off Switches<br>OFF position padlockable 09h  | 2 or<br>4 | B200-A        | 50<br>63  | 18,5<br>22                                     | 15<br>18,5 | <b>B250 - 41 ... - 587N4</b><br><b>B263 - 41 ... - 587N4</b> |
| Realisable switching programmes:<br>2-pole <b>41200</b> , 41211, 41220<br>4-pole <b>41400</b> , 41411 and 41420    |           |               |   |  |            |  |
| <b>SMD modules for basic switch A02</b>  |           |               |   |  |            |  |
| Mounting form module (switch module ED)  |           |               | B200-A  |  |            | <b>BFD2 - ED</b>   |
| Enclosure module, mounting forms 587N1   |           |               |   |  |            | <b>SAH2 - 687N1</b>  |
| Enclosure module, mounting forms 587N4   |           |               |   |  |            | <b>SAH2 - 687N4</b>  |
| <b>Mounting brackets for enclosure modules SA (1 set)</b><br>(Please order separately – accessories see page D5-1) |           |               |   |  |            | <b>SAX1</b>  |
| <b>Dimensions (mm)</b>   |           |               |   |  |            |  |
| <b>Product lines</b>   | <b>H1</b> | <b>B1</b>     | <b>T1</b>   | <b>T2</b>                                      | <b>H2</b>  | <b>B2</b>  |
| B200-A   | 200       | 150           | 120   | 33   | 182        | 85   |

# Enclosed Switches



**Product line  
B200-A**

**Enclosed switch**

**Mild steel enclosure  
powder coated**

200 x 150 x 120 mm

with cover interlock  
in ON position

without N module(s)  
in the enclosure

**587V1 (IP66)**

**587V4 (IP66)**

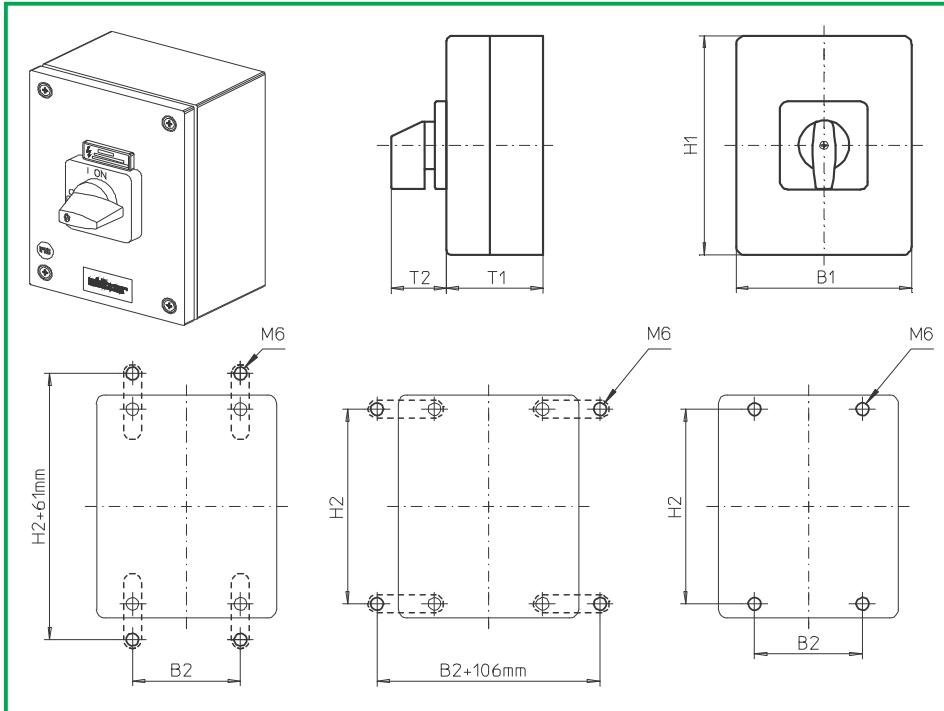
| Complete switch   | Poles     | Product lines | Rated data (IEC 60947)             |                                |            | Order code number  |
|---|-----------|---------------|------------------------------------|--------------------------------|------------|--|
|   |           |               | Operational current I <sub>e</sub> | Operational power at 380–440 V |            |  |
|   |           |               | AC-21A<br>A                        | AC-23A<br>kW                   | AC-3<br>kW |  |
| Main Switches<br>OFF position padlockable 09h               | 2 or<br>4 | B200-A        | 50<br>63                           | 18,5<br>22                     | 15<br>18,5 | <b>B250 - 41 ... - 587V1</b><br><b>B263 - 41 ... - 587V1</b> |
| Main/Emergency-Off Switches<br>OFF position padlockable 09h | 2 or<br>4 | B200-A        | 50<br>63                           | 18,5<br>22                     | 15<br>18,5 | <b>B250 - 41 ... - 587V4</b><br><b>B263 - 41 ... - 587V4</b> |

Realisable switching programmes:  
 2-pole **41200**, 41211, 41220  
 4-pole **41400**, 41411 and 41420

| SMD modules for basic switch A02   |        |                                |
|--|--------|--------------------------------|
| Mounting form module (switch module ED)  | B200-A | <b>BFD2 - ED</b>               |
| Enclosure module, mounting forms 587V1   |        | <b>SAH2 - 687V1</b>            |
| Enclosure module, mounting forms 587V4   |        | <b>SAH2 - 687V4</b>            |
| Legend plate silver, enclosure module 587V1  |        | <b>FAS4 - 9...</b> (FA number) |
| Legend plate yellow, enclosure module 587V4  |        | <b>FBS4 - 9...</b> (FA number) |
| <b>Mounting brackets for enclosure modules SA (1 set)</b><br>(Please order separately – accessories see page D5-1) |        | <b>SAX1</b>                    |

| Dimensions (mm) |     |     |     |    |     |    |
|-----------------|-----|-----|-----|----|-----|----|
| Product lines   | H1  | B1  | T1  | T2 | H2  | B2 |
| B200-A          | 200 | 150 | 120 | 39 | 182 | 85 |

# Enclosed Switches



**Product lines  
B200-D/ -E**

**Enclosed switch**

**Mild steel enclosure  
powder coated**

300 x 250 x 150 mm

with cover interlock  
in ON position

without N module(s)  
in the enclosure

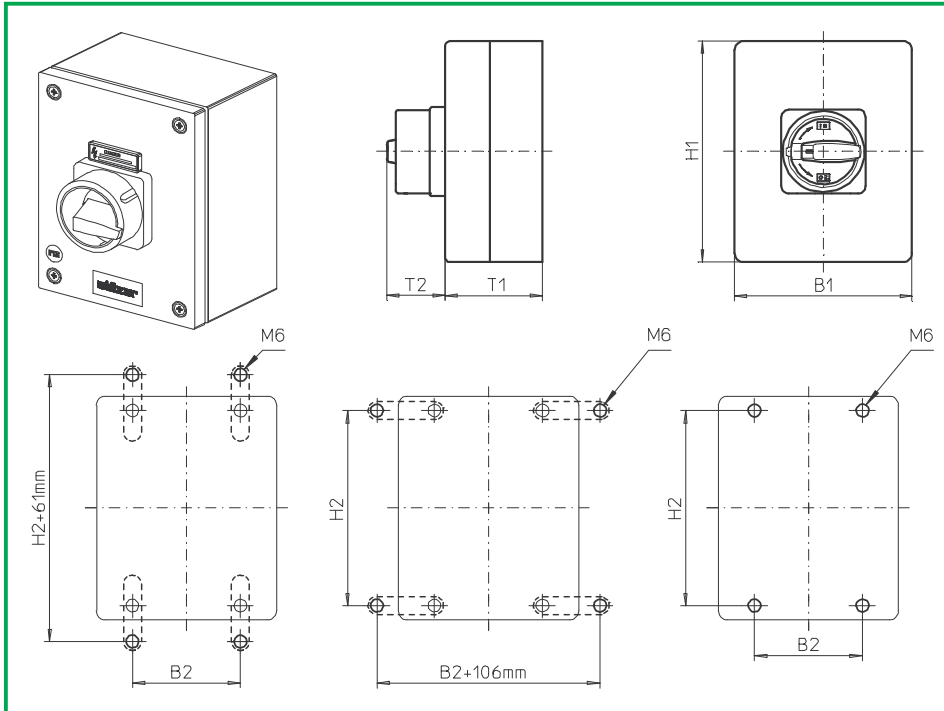
**686M1 (IP66)**

| Complete switch                            | Poles | Product lines | Rated data (IEC 60947)             |                                |            | Order code number           |
|--|-------|---------------|------------------------------------|--------------------------------|------------|-----------------------------|
|  |       |               | Operational current I <sub>e</sub> | Operational power at 380–440 V |            |                             |
|  |       |               | AC-21A<br>A                        | AC-23A<br>kW                   | AC-3<br>kW |                             |
| ON-OFF Switches<br>Switching angle 90°     | 4 or  | B200-D        | 50                                 | 18,5                           | 15         | <b>B250 - 41 ... -686M1</b> |
|  | 8     |               | 63                                 | 22                             | 18,5       | <b>B263 - 41 ... -686M1</b> |
| Changeover with OFF<br>Switching angle 90° | 4     | B200-E        | 50                                 | 18,5                           | 15         | <b>B250 - 71 ... -686M1</b> |
|  |       |               | 63                                 | 22                             | 18,5       | <b>B263 - 71 ... -686M1</b> |

| SMD modules for basic switch A02   |            |                                |
|--|------------|--------------------------------|
| Mounting form module (switch module ED)  | B200-D     | <b>BFE2 - ED</b>               |
| Mounting form module (switch module ED)  | B200-E     | <b>BFF2 - ED</b>               |
| Enclosure module, mounting form 686M1  | B200-D/ -E | <b>SAH4 - 686M1</b>            |
| Legend plate silver, enclosure module 686M1  | B200-D/ -E | <b>FAS6 - 9...</b> (FA number) |
| <b>Mounting brackets for enclosure modules SA (1 set)</b><br>(Please order separately – accessories see page D5-1) |            | <b>SAX1</b>                    |

| Dimensions (mm) |     |     |     |    |     |     |  |
|-----------------|-----|-----|-----|----|-----|-----|--|
| Product lines   | H1  | B1  | T1  | T2 | H2  | B2  |  |
| B200-D/ -E      | 300 | 250 | 150 | 52 | 282 | 185 |  |

# Enclosed Switches



**Product line  
B200-D**

**Enclosed switch**

**Mild steel enclosure  
powder coated**

300 x 250 x 150 mm

with cover interlock  
in ON position

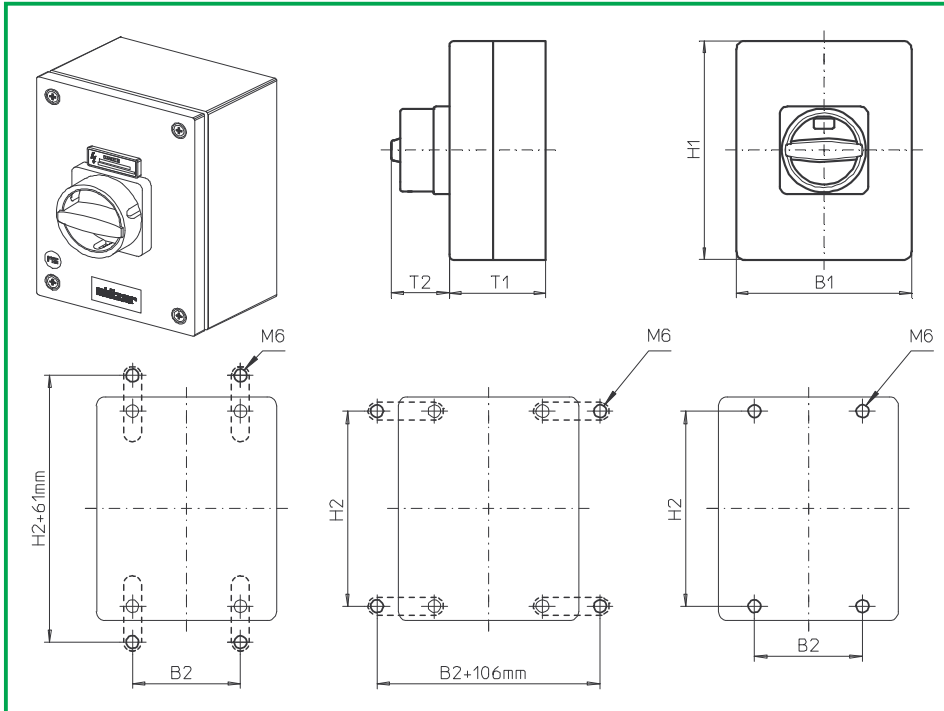
without N module(s)  
in the enclosure

**687M1 (IP66)**

**687M4 (IP66)**

| Complete switch  | Poles     | Product lines | Rated data (IEC 60947)                            |  |            | Order code number  |
|--|-----------|---------------|---|--|------------|--|
|  |           |               | Operational current I <sub>e</sub><br>AC-21A<br>A | Operational power at 380–440 V<br>AC-23A<br>kW | AC-3<br>kW |  |
| Main Switches<br>OFF position padlockable 09h  | 4 or<br>8 | B200-D        | 50<br>63  | 18,5<br>22                                     | 15<br>18,5 | <b>B250 - 41 ... - 687M1</b><br><b>B263 - 41 ... - 687M1</b> |
| Main/Emergency-Off Switches<br>OFF position padlockable 09h  | 4 or<br>8 | B200-D        | 50<br>63  | 18,5<br>22                                     | 15<br>18,5 | <b>B250 - 41 ... - 687M4</b><br><b>B263 - 41 ... - 687M4</b> |
| <b>SMD modules for basic switch A02</b>  |           |               |   |  |            |  |
| Mounting form module (switch module ED)  |           |               | B200-D  |  |            | <b>BFE2 - ED</b>   |
| Enclosure module, mounting forms 687M1   |           |               |   |  |            | <b>SAH4 - 687M1</b>  |
| Enclosure module, mounting forms 687M4   |           |               |   |  |            | <b>SAH4 - 687M4</b>  |
| <b>Mounting brackets for enclosure modules SA (1 set)</b><br>(Please order separately – accessories see page D5-1) |           |               |   |  |            | <b>SAX1</b>  |
| <b>Dimensions (mm)</b>   |           |               |   |  |            |  |
| <b>Product lines</b>   | <b>H1</b> | <b>B1</b>     | <b>T1</b>   | <b>T2</b>                                      | <b>H2</b>  | <b>B2</b>  |
| B200-D   | 300       | 250           | 150   | 50   | 282        | 185  |

# Enclosed Switches



**Product line  
B200-D**

**Enclosed switch**

**Mild steel enclosure  
powder coated**

300 x 250 x 150 mm

with cover interlock  
in ON position

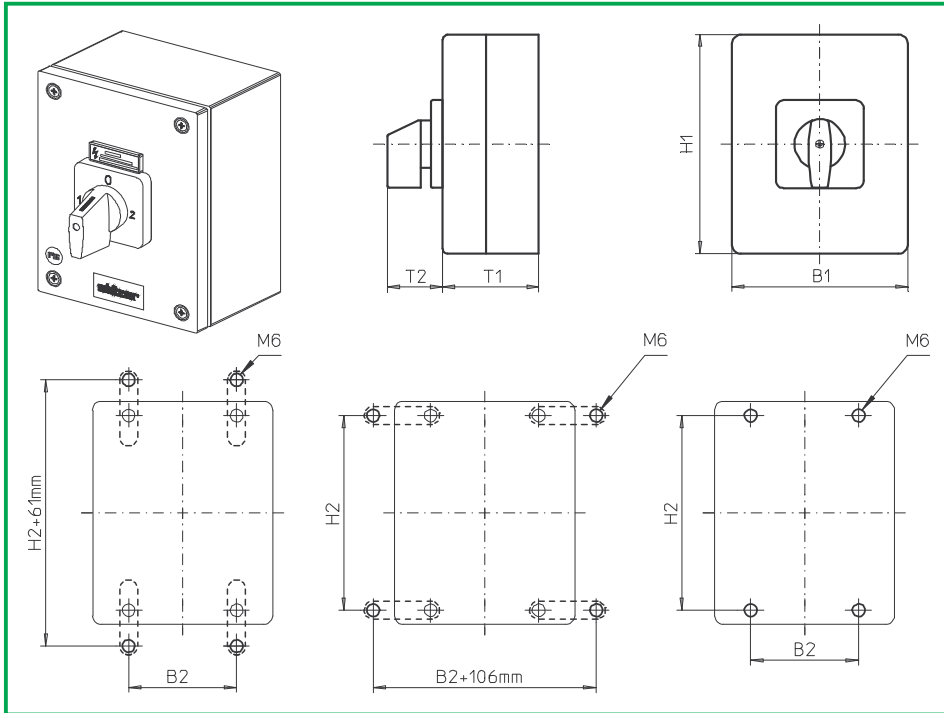
without N module(s)  
in the enclosure

**687N1 (IP66)**

**687N4 (IP66)**

| Complete switch  | Poles     | Product lines | Rated data (IEC 60947)                            |  |            | Order code number  |
|--|-----------|---------------|---|--|------------|--|
|  |           |               | Operational current I <sub>e</sub><br>AC-21A<br>A | Operational power at 380–440 V<br>AC-23A<br>kW | AC-3<br>kW |  |
| Main Switches<br>OFF position padlockable 09h  | 4 or      | B200-D        | 50  | 18,5   | 15         | <b>B250 - 41 ... - 687N1</b><br><b>B263 - 41 ... - 687N1</b> |
|  | 8         |               | 63  | 22   | 18,5       |  |
| Main/Emergency-Off Switches<br>OFF position padlockable 09h  | 4 or      | B200-D        | 50  | 18,5   | 15         | <b>B250 - 41 ... - 687N4</b><br><b>B263 - 41 ... - 687N4</b> |
|  | 8         |               | 63  | 22   | 18,5       |  |
| <b>SMD modules for basic switch A02</b>  |           |               |   |  |            |  |
| Mounting form module (switch module ED)  |           |               | B200-D  |  |            | <b>BFE2 - ED</b>   |
| Enclosure module, mounting forms 687N1   |           |               |   |  |            | <b>SAH4 - 687N1</b>  |
| Enclosure module, mounting forms 687N4   |           |               |   |  |            | <b>SAH4 - 687N4</b>  |
| <b>Mounting brackets for enclosure modules SA (1 set)</b><br>(Please order separately – accessories see page D5-1) |           |               |   |  |            | <b>SAX1</b>  |
| <b>Dimensions (mm)</b>   |           |               |   |  |            |  |
| <b>Product lines</b>   | <b>H1</b> | <b>B1</b>     | <b>T1</b>   | <b>T2</b>                                      | <b>H2</b>  | <b>B2</b>  |
| B200-D   | 300       | 250           | 150   | 45   | 282        | 185  |

# Enclosed Switches



**Product line  
B200-E**

**Enclosed switch**

**Mild steel enclosure  
powder coated**

300 x 250 x 150 mm

with cover interlock  
in ON position

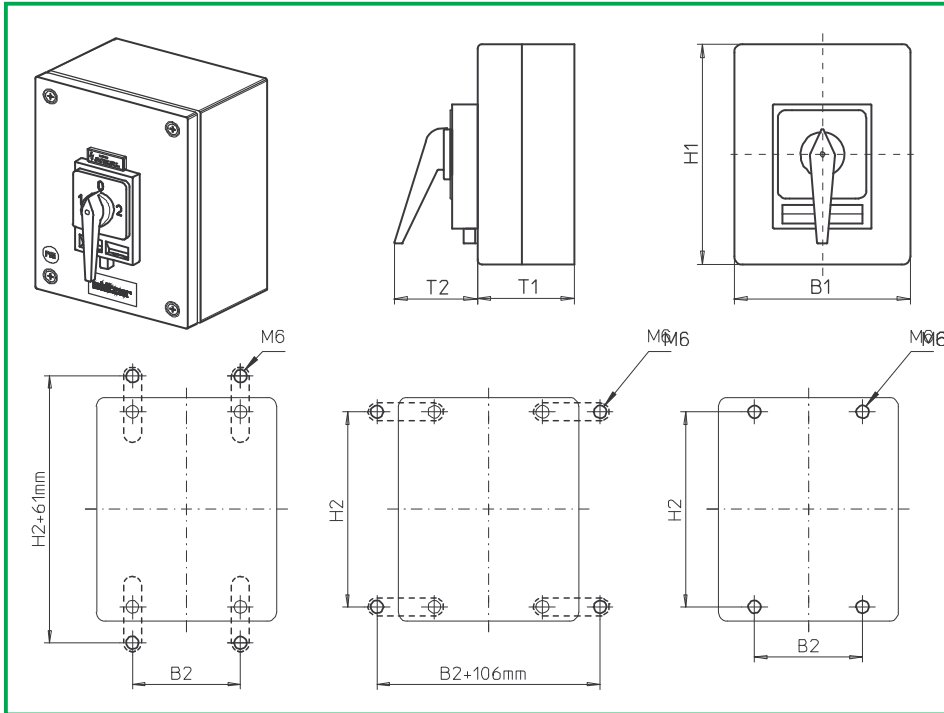
without N module(s)  
in the enclosure

**688M1 (IP66)**

| Complete switch  | Poles     | Product lines | Rated data (IEC 60947)             |                                |            | Order code number  |
|--|-----------|---------------|------------------------------------|--------------------------------|------------|--|
|  |           |               | Operational current I <sub>e</sub> | Operational power at 380–440 V |            |  |
|  |           |               | AC-21A<br>A                        | AC-23A<br>kW                   | AC-3<br>kW |  |
| Changeover with OFF<br>Switching angle 90°   | 4         | B200-E        | 50<br>63                           | 18,5<br>22                     | 15<br>18,5 | <b>B250 - 71 ... -688M1</b><br><b>B263 - 71 ... -688M1</b> |
| <b>SMD modules for basic switch A02</b>  |           |               |                                    |                                |            |  |
| Mounting form module (switch module ED)  |           |               | B200-E                             |                                |            | <b>BFF2 - ED</b>   |
| Enclosure module, mounting form 688M1  |           |               |                                    |                                |            | <b>SAH4 - 688M1</b>  |
| Legend plate silver, enclosure module 688M1  |           |               |                                    |                                |            | <b>FAS6 - 9...</b> (FA number)                             |
| <b>Mounting brackets for enclosure modules SA (1 set)</b><br>(Please order separately – accessories see page D5-1) |           |               |                                    |                                |            | <b>SAX1</b>  |
| <b>Dimensions (mm)</b>   |           |               |                                    |                                |            |  |
| <b>Product line</b>  | <b>H1</b> | <b>B1</b>     | <b>T1</b>                          | <b>T2</b>                      | <b>H2</b>  | <b>B2</b>  |
| B200-E   | 300       | 250           | 150                                | 52                             | 282        | 185  |



# Enclosed Switches



**Product line  
B200-E**

**Enclosed switch**

**Mild steel enclosure  
powder coated**

300 x 250 x 150 mm

with cover interlock  
in ON position

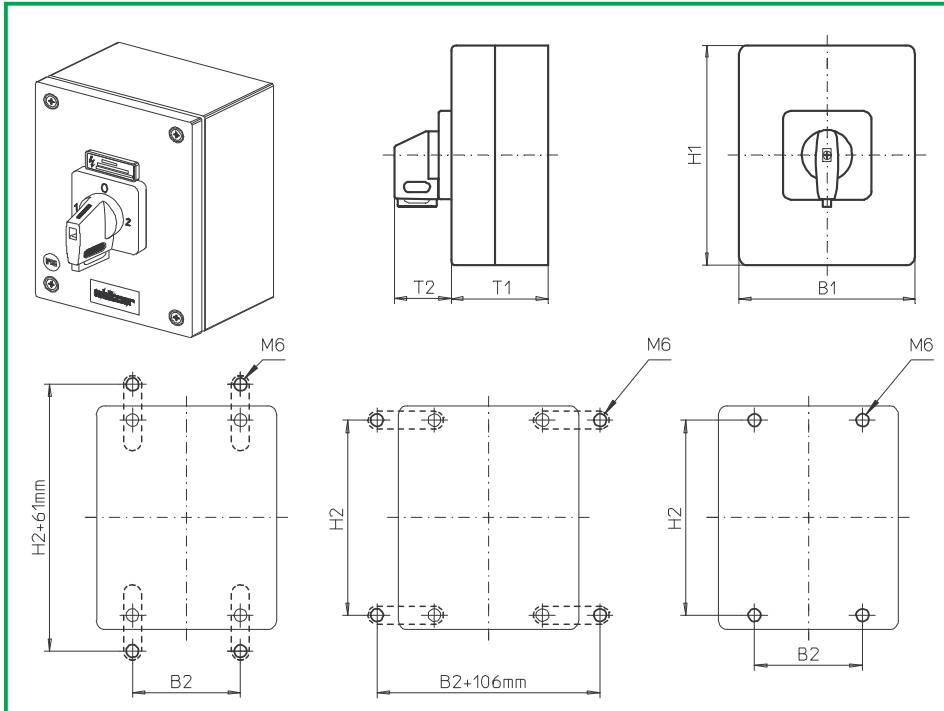
without N module(s)  
in the enclosure

**686H1 (IP66)**

**688H1 (IP66)**

| Complete switch  | Poles     | Product lines | Rated data (IEC 60947)             |                                |            | Order code number  |
|--|-----------|---------------|------------------------------------|--------------------------------|------------|--|
|  |           |               | Operational current I <sub>e</sub> | Operational power at 380–440 V |            |  |
|  |           |               | AC-21A<br>A                        | AC-23A<br>kW                   | AC-3<br>kW |  |
| Changeover with OFF<br>Switching angle 90°<br>OFF position padlockable 12h   | 4         | B200-E        | 50<br>63                           | 18,5<br>22                     | 15<br>18,5 | <b>B250 - 71 ... - 686H1</b><br><b>B263 - 71 ... - 686H1</b> |
| Changeover with OFF<br>Switching angle 90°<br>3 positions padlockable<br>(09h/12h/03h)                             | 4         | B200-E        | 50<br>63                           | 18,5<br>22                     | 15<br>18,5 | <b>B250 - 71 ... - 688H1</b><br><b>B263 - 71 ... - 688H1</b> |
| <b>SMD modules for basic switch A02</b>  |           |               |                                    |                                |            |  |
| Mounting form module (switch module ED)  |           |               | B200-E                             |                                |            | <b>BFF2 - ED</b>   |
| Enclosure module, mounting form 686H1  |           |               |                                    |                                |            | <b>SAH4 - 686H1</b>  |
| Enclosure module, mounting form 688H1  |           |               |                                    |                                |            | <b>SAH4 - 688H1</b>  |
| Legend plate silver, enclosure modules 686H1/ 688H1  |           |               |                                    |                                |            | <b>FAS4 - 9...</b> (FA number)                               |
| <b>Mounting brackets for enclosure modules SA</b> (1 set)<br>(Please order separately – accessories see page D5-1) |           |               |                                    |                                |            | <b>SAX1</b>  |
| <b>Dimensions (mm)</b>   |           |               |                                    |                                |            |  |
| <b>Product line</b>  | <b>H1</b> | <b>B1</b>     | <b>T1</b>                          | <b>T2</b>                      | <b>H2</b>  | <b>B2</b>  |
| B200-E   | 300       | 250           | 150                                | 83                             | 282        | 185  |

# Enclosed Switches



**Product line  
B200-E**

**Enclosed switch**

**Mild steel enclosure  
powder coated**

300 x 250 x 150 mm

with cover interlock  
in ON position

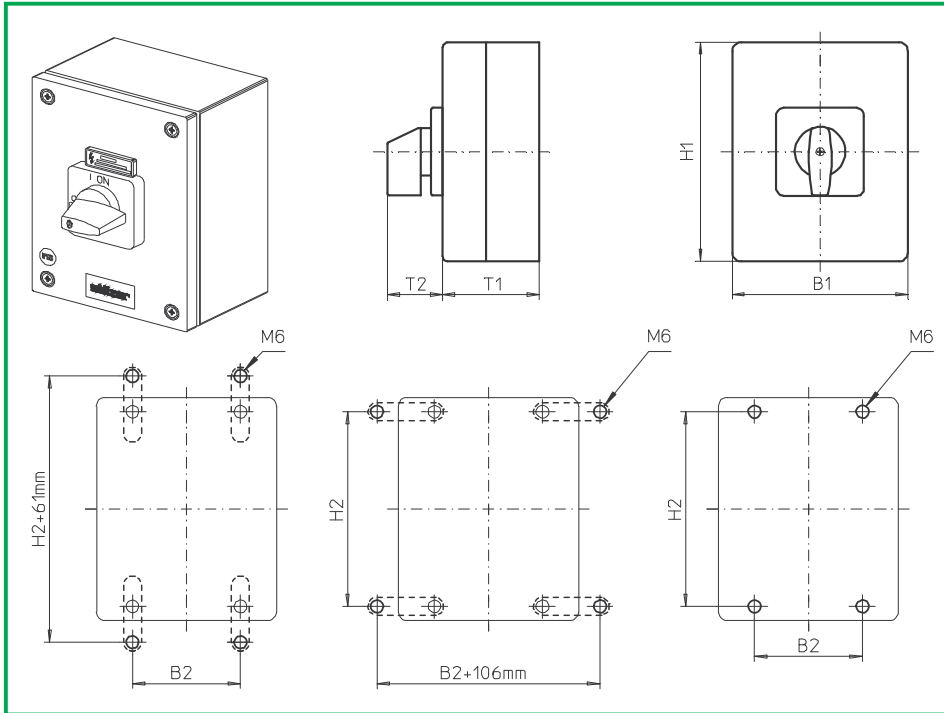
without N module(s)  
in the enclosure

**686V1 (IP66)**

**688V1 (IP66)**

| Complete switch  | Poles     | Product lines | Rated data (IEC 60947)             |                                |            | Order code number              |
|--|-----------|---------------|------------------------------------|--------------------------------|------------|--------------------------------|
|  |           |               | Operational current I <sub>e</sub> | Operational power at 380–440 V |            |                                |
|  |           |               | AC-21A<br>A                        | AC-23A<br>kW                   | AC-3<br>kW |                                |
| Changeover with OFF<br>Switching angle 90°<br>OFF position padlockable 12h   | 4         | B200-E        | 50                                 | 18,5                           | 15         | <b>B250 - 71 ... - 686V1</b>   |
|  |           |               | 63                                 | 22                             | 18,5       | <b>B263 - 71 ... - 686V1</b>   |
| Changeover with OFF<br>Switching angle 90°<br>3 positions padlockable<br>(09h/12h/03h)                             | 4         | B200-E        | 50                                 | 18,5                           | 15         | <b>B250 - 71 ... - 688V1</b>   |
|  |           |               | 63                                 | 22                             | 18,5       | <b>B263 - 71 ... - 688V1</b>   |
| <b>SMD modules for basic switch A02</b>  |           |               |                                    |                                |            |                                |
| Mounting form module (switch module ED)  |           |               | B200-E                             |                                |            | <b>BFF2 - ED</b>               |
| Enclosure module, mounting form 686V1  |           |               |                                    |                                |            | <b>SAH4 - 686V1</b>            |
| Enclosure module, mounting form 688V1  |           |               |                                    |                                |            | <b>SAH4 - 688V1</b>            |
| Legend plate silver, enclosure modules 186V1/ 188V1  |           |               |                                    |                                |            | <b>FAS4 - 9...</b> (FA number) |
| <b>Mounting brackets for enclosure modules SA (1 set)</b><br>(Please order separately – accessories see page D5-1) |           |               |                                    |                                |            | <b>SAX1</b>                    |
| <b>Dimensions (mm)</b>   |           |               |                                    |                                |            |                                |
| <b>Product line</b>  | <b>H1</b> | <b>B1</b>     | <b>T1</b>                          | <b>T2</b>                      | <b>H2</b>  | <b>B2</b>                      |
| B200-E   | 300       | 250           | 150                                | 39                             | 282        | 185                            |

# Enclosed Switches



**Product line  
B200-A**

**Enclosed switch**

**Stainless steel  
enclosure  
brushed**

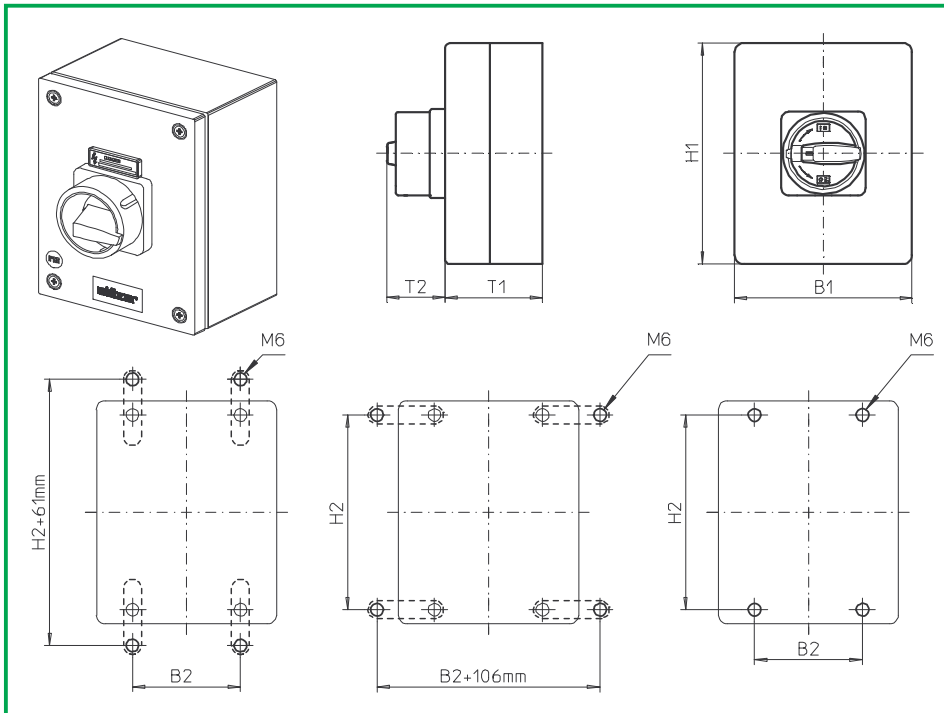
200 x 150 x 120 mm

With cover interlock  
in ON position

**096M1 (IP66)**

| Complete switch   | Poles     | Product lines | Rated data (IEC 60947)             |                                |            | Order code number  |
|---|-----------|---------------|------------------------------------|--------------------------------|------------|--|
|   |           |               | Operational current I <sub>e</sub> | Operational power at 380–440 V |            |  |
|   |           |               | AC-21A<br>A                        | AC-23A<br>kW                   | AC-3<br>kW |  |
| ON-OFF Switches<br>Switching angle 90°  | 3 ... 4   | B200-A        | 50<br>63                           | 18,5<br>22                     | 15<br>18,5 | <b>B250 - 41 ... - 096M1</b><br><b>B263 - 41 ... - 096M1</b> |
| <p>Realisable switching programmes:<br/>                     3-pole <b>41300</b>, 41311, 41320<br/>                     4-pole <b>41400</b>, 41411 and 41420</p>  |           |               |                                    |                                |            |  |
| <p><b>SMD modules for basic switch A02</b></p> <p>Mounting form module (switch module ED) <span style="float: right;">B200-A</span> <span style="float: right;"><b>BFD2 - ED</b></span></p> <p>Enclosure module, mounting form 096M1 <span style="float: right;"><b>SBB2 - 096M1</b></span></p> <p>Legend plate silver, enclosure module 096M1 <span style="float: right;"><b>FAS4 - 9...</b> (FA number)</span></p> <p><b>Mounting brackets for enclosure modules SB (1 Set)</b> <span style="float: right;"><b>SBX1</b></span><br/>                     (Please order separately – accessories see page D5-2)</p> |           |               |                                    |                                |            |  |
| <b>Dimensions (mm)</b>  |           |               |                                    |                                |            |  |
| <b>Product lines</b>  | <b>H1</b> | <b>B1</b>     | <b>T1</b>                          | <b>T2</b>                      | <b>H2</b>  | <b>B2</b>  |
| B200-A  | 200       | 150           | 120                                | 39                             | 182        | 85   |

# Enclosed Switches



**Product line  
B200-A**

**Enclosed switch**

**Stainless steel  
enclosure  
brushed**

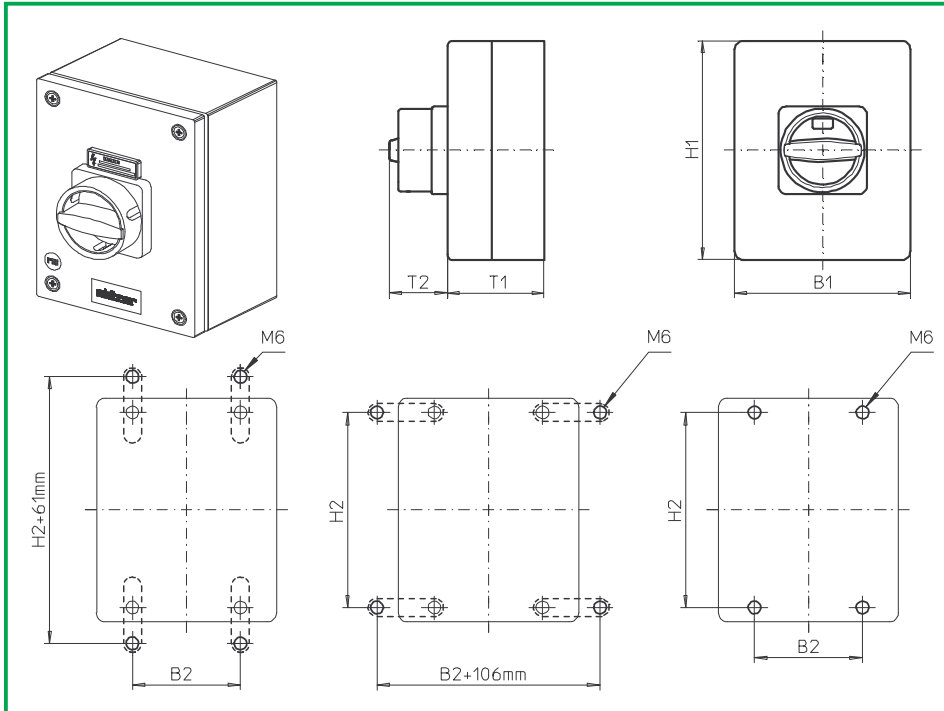
200 x 150 x 120 mm

With cover interlock  
in ON position

**097M1 (IP66)**  
**097M4 (IP66)**

| Complete switch  | Poles     | Product lines | Rated data (IEC 60947)             |                                |              | Order code number            |
|--|-----------|---------------|------------------------------------|--------------------------------|--------------|------------------------------|
|  |           |               | Operational current I <sub>e</sub> | Operational power at 380–440 V |              |                              |
|  |           |               | AC-21A<br>A                        | AC-23A<br>kW                   | AC-3<br>kW   |                              |
| Main Switches<br>OFF position padlockable 09h  | 3 ... 4   | B200-A        | 50                                 | 18,5                           | 15           | <b>B250 - 41 ... - 097M1</b> |
|  |           |               | 63                                 | 22                             | 18,5         | <b>B263 - 41 ... - 097M1</b> |
| Main/Emergency-Off Switches<br>OFF position padlockable 09h  | 3 ... 4   | B200-A        | 50                                 | 18,5                           | 15           | <b>B250 - 41 ... - 097M4</b> |
|  |           |               | 63                                 | 22                             | 18,5         | <b>B263 - 41 ... - 097M4</b> |
| Realisable switching programmes:<br>3-pole <b>41300</b> , 41311, 41320<br>4-pole <b>41400</b> , 41411 and 41420    |           |               |                                    |                                |              |                              |
| <b>SMD modules for basic switch A02</b>  |           |               |                                    |                                |              |                              |
| Mounting form module (switch module ED)  |           |               | B200-A                             |                                | BFD2 - ED    |                              |
| Enclosure module, mounting forms 097M1   |           |               |                                    |                                | SBB2 - 097M1 |                              |
| Enclosure module, mounting forms 097M4   |           |               |                                    |                                | SBB2 - 097M4 |                              |
| <b>Mounting brackets for enclosure modules SB (1 Set)</b><br>(Please order separately – accessories see page D5-2) |           |               |                                    |                                | SBX1         |                              |
| <b>Dimensions (mm)</b>   |           |               |                                    |                                |              |                              |
| <b>Product lines</b>   | <b>H1</b> | <b>B1</b>     | <b>T1</b>                          | <b>T2</b>                      | <b>H2</b>    | <b>B2</b>                    |
| B200-A   | 200       | 150           | 120                                | 38                             | 182          | 85                           |

# Enclosed Switches



**Product line  
B200-A**

**Enclosed switch**

**Stainless steel  
enclosure  
brushed**

200 x 150 x 120 mm

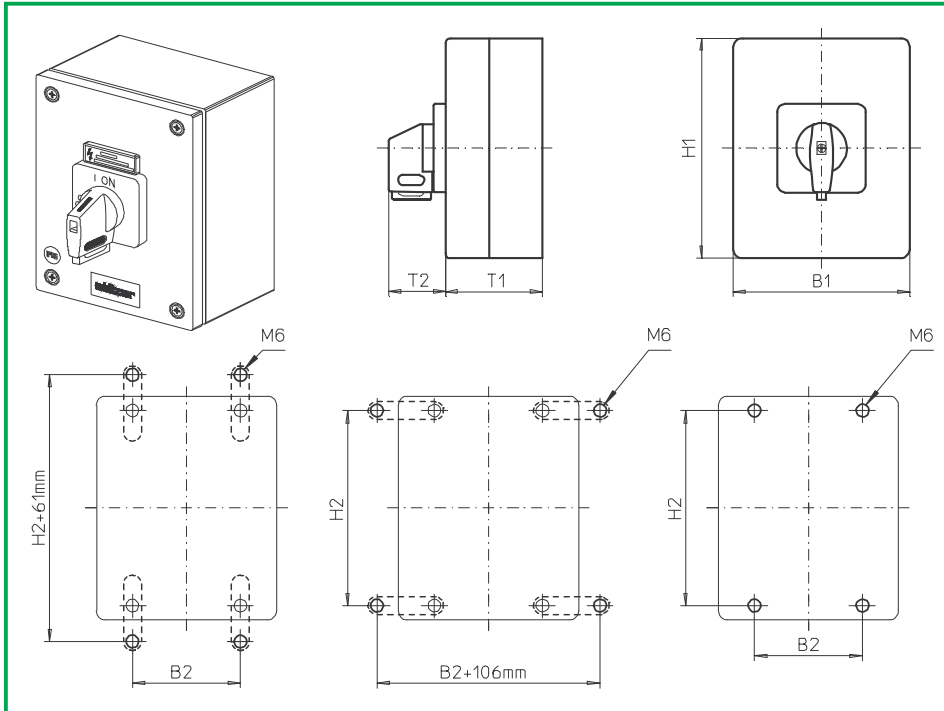
With cover interlock  
in ON position

**097N1 (IP66)**

**097N4 (IP66)**

| Complete switch  | Poles     | Product lines | Rated data (IEC 60947)                            |  |            | Order code number  |
|--|-----------|---------------|---|--|------------|--|
|  |           |               | Operational current I <sub>e</sub><br>AC-21A<br>A | Operational power at 380–440 V<br>AC-23A<br>kW | AC-3<br>kW |  |
| Main Switches<br>OFF position padlockable 09h  | 3 ... 4   | B200-A        | 50<br>63  | 18,5<br>22                                     | 15<br>18,5 | <b>B250 - 41 ... - 097N1</b><br><b>B263 - 41 ... - 097N1</b> |
| Main/Emergency-Off Switches<br>OFF position padlockable 09h  | 3 ... 4   | B200-A        | 50<br>63  | 18,5<br>22                                     | 15<br>18,5 | <b>B250 - 41 ... - 097N4</b><br><b>B263 - 41 ... - 097N4</b> |
| Realisable switching programmes:<br>3-pole <b>41300</b> , 41311, 41320<br>4-pole <b>41400</b> , 41411 and 41420    |           |               |   |  |            |  |
| <b>SMD modules for basic switch A02</b>  |           |               |   |  |            |  |
| Mounting form module (switch module ED)  |           |               | B200-A  |  |            | <b>BFD2 - ED</b>   |
| Enclosure module, mounting forms 097N1   |           |               |   |  |            | <b>SBB2 - 097N1</b>  |
| Enclosure module, mounting forms 097N4   |           |               |   |  |            | <b>SBB2 - 097N4</b>  |
| <b>Mounting brackets for enclosure modules SB (1 Set)</b><br>(Please order separately – accessories see page D5-2) |           |               |   |  |            | <b>SBX1</b>  |
| <b>Dimensions (mm)</b>   |           |               |   |  |            |  |
| <b>Product lines</b>   | <b>H1</b> | <b>B1</b>     | <b>T1</b>   | <b>T2</b>                                      | <b>H2</b>  | <b>B2</b>  |
| B200-A   | 200       | 150           | 120   | 33   | 182        | 85   |

# Enclosed Switches



**Product line  
B200-A**

**Enclosed switch**

**Stainless steel enclosure  
brushed**

200 x 150 x 120 mm

With cover interlock  
in ON position

**097V1 (IP66)**  
**097V4 (IP66)**

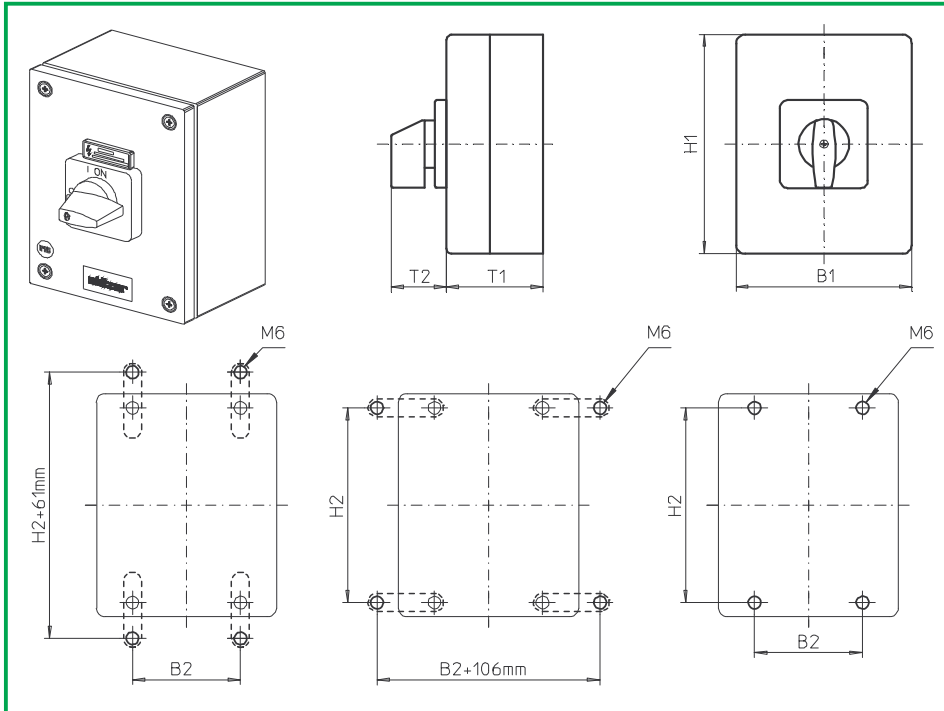
| Complete switch   | Poles   | Product lines | Rated data (IEC 60947)             |                                |            | Order code number            |
|---|---------|---------------|------------------------------------|--------------------------------|------------|------------------------------|
|   |         |               | Operational current I <sub>e</sub> | Operational power at 380–440 V |            |                              |
|   |         |               | AC-21A<br>A                        | AC-23A<br>kW                   | AC-3<br>kW |                              |
| Main Switches<br>OFF position padlockable 09h               | 3 ... 4 | B200-A        | 50                                 | 18,5                           | 15         | <b>B250 - 41 ... - 097V1</b> |
|   |         |               | 63                                 | 22                             | 18,5       | <b>B263 - 41 ... - 097V1</b> |
| Main/Emergency-Off Switches<br>OFF position padlockable 09h | 3 ... 4 | B200-A        | 50                                 | 18,5                           | 15         | <b>B250 - 41 ... - 097V4</b> |
|   |         |               | 63                                 | 22                             | 18,5       | <b>B263 - 41 ... - 097V4</b> |

Realisable switching programmes:  
 3-pole **41300**, 41311, 41320  
 4-pole **41400**, 41411 and 41420

| SMD modules for basic switch A02   |  |        |                                |
|--|--|--------|--------------------------------|
| Mounting form module (switch module ED)  |  | B200-A | <b>BFD2 - ED</b>               |
| Enclosure module, mounting forms 097V1   |  |        | <b>SBB2 - 097V1</b>            |
| Enclosure module, mounting forms 097V4   |  |        | <b>SBB2 - 097V4</b>            |
| Legend plate silver, enclosure module 097V1  |  |        | <b>FAS4 - 9...</b> (FA number) |
| Legend plate yellow, enclosure module 097V4  |  |        | <b>FBS4 - 9...</b> (FA number) |
| <b>Mounting brackets for enclosure modules SB (1 Set)</b><br>(Please order separately – accessories see page D5-2) |  |        | <b>SBX1</b>                    |

| Dimensions (mm) |     |     |     |    |     |    |  |
|-----------------|-----|-----|-----|----|-----|----|--|
| Product lines   | H1  | B1  | T1  | T2 | H2  | B2 |  |
| B200-A          | 200 | 150 | 120 | 39 | 182 | 85 |  |

# Enclosed Switches



**Product lines  
B200-D/ -E**

**Enclosed switch**

**Stainless steel  
enclosure  
brushed**

300 x 250 x 150 mm

With cover interlock  
in ON position

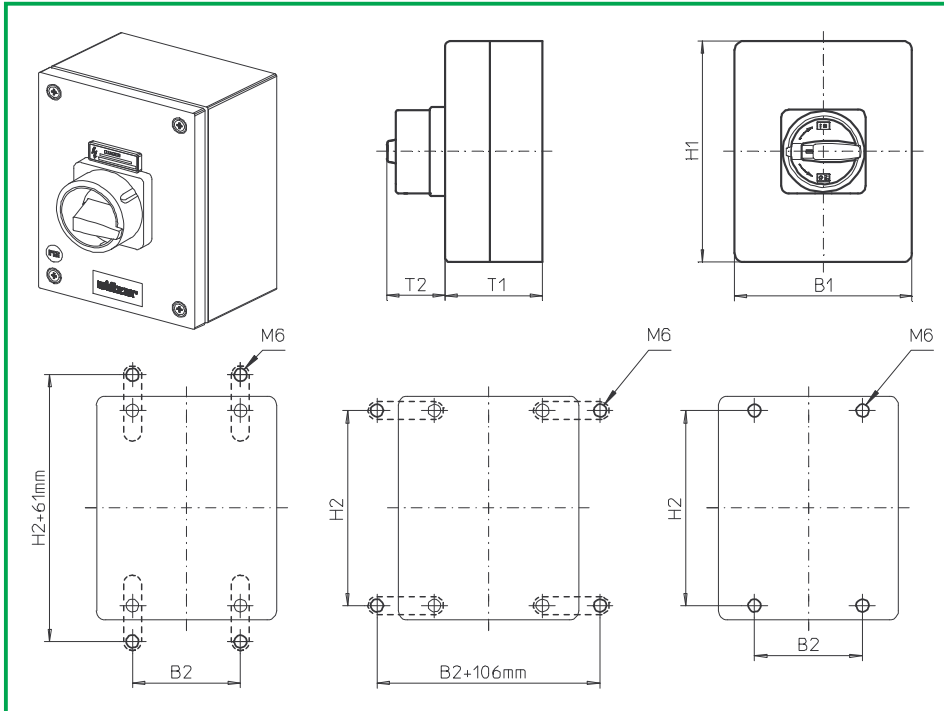
**196M1 (IP66)**

| Complete switch                            | Poles   | Product lines | Rated data (IEC 60947)             |                                |            | Order code number  |
|--|---------|---------------|------------------------------------|--------------------------------|------------|--|
|  |         |               | Operational current I <sub>e</sub> | Operational power at 380–440 V |            |  |
|  |         |               | AC-21A<br>A                        | AC-23A<br>kW                   | AC-3<br>kW |  |
| ON-OFF Switches<br>Switching angle 90°     | 6 ... 8 | B200-D        | 50<br>63                           | 18,5<br>22                     | 15<br>18,5 | <b>B250 - 41 ... -196M1</b><br><b>B263 - 41 ... -196M1</b> |
| Changeover with OFF<br>Switching angle 90° | 3 ... 4 | B200-E        | 50<br>63                           | 18,5<br>22                     | 15<br>18,5 | <b>B250 - 71 ... -196M1</b><br><b>B263 - 71 ... -196M1</b> |

| SMD modules for basic switch A02   |            |                                |
|--|------------|--------------------------------|
| Mounting form module (switch module ED)  | B200-D     | <b>BFE2 - ED</b>               |
| Mounting form module (switch module ED)  | B200-E     | <b>BFF2 - ED</b>               |
| Enclosure module, mounting form 196M1  | B200-D/ -E | <b>SBB2 - 196M1</b>            |
| Legend plate silver, enclosure module 196M1  | B200-D/ -E | <b>FAS6 - 9...</b> (FA number) |
| <b>Mounting brackets for enclosure modules SB (1 Set)</b><br>(Please order separately – accessories see page D5-2) |            | <b>SBX1</b>                    |

| Dimensions (mm) |     |     |     |    |     |     |
|-----------------|-----|-----|-----|----|-----|-----|
| Product lines   | H1  | B1  | T1  | T2 | H2  | B2  |
| B200-D/ -E      | 300 | 250 | 150 | 52 | 282 | 185 |

# Enclosed Switches



**Product line  
B200-D**

**Enclosed switch**

**Stainless steel  
enclosure  
brushed**

300 x 250 x 150 mm

With cover interlock  
in ON position

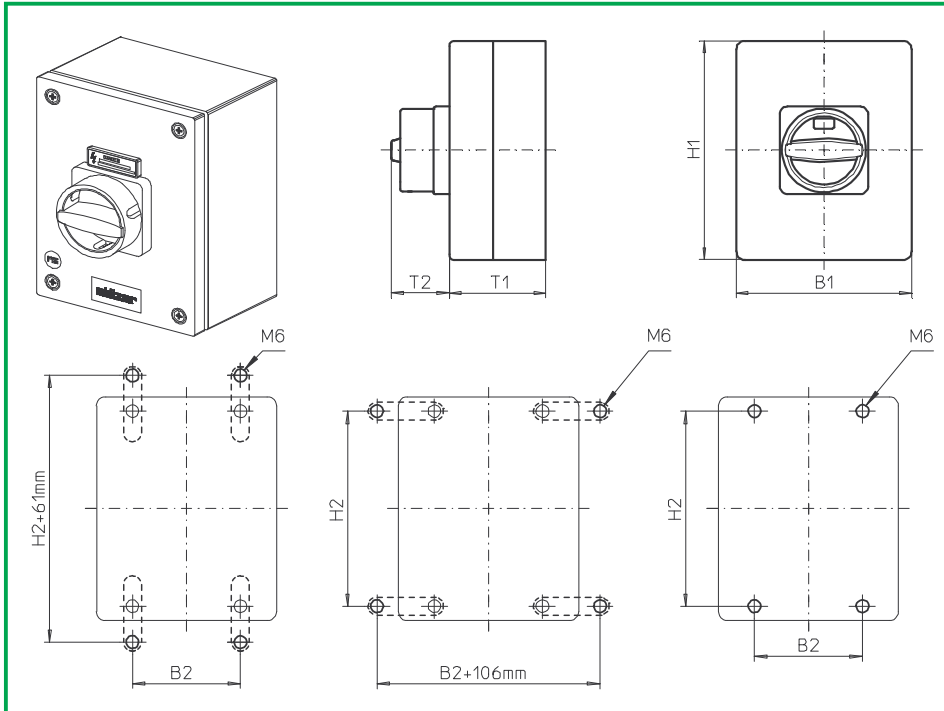
**197M1 (IP66)**

**197M4 (IP66)**

| Complete switch  | Poles     | Product lines | Rated data (IEC 60947)                            |  |            | Order code number  |
|--|-----------|---------------|---|--|------------|--|
|  |           |               | Operational current I <sub>e</sub><br>AC-21A<br>A | Operational power at 380–440 V<br>AC-23A<br>kW | AC-3<br>kW |  |
| Main Switches<br>OFF position padlockable 09h  | 6 ... 8   | B200-D        | 50<br>63  | 18,5<br>22                                     | 15<br>18,5 | <b>B250 - 41 ... - 197M1</b><br><b>B263 - 41 ... - 197M1</b> |
| Main/Emergency-Off Switches<br>OFF position padlockable 09h  | 6 ... 8   | B200-D        | 50<br>63  | 18,5<br>22                                     | 15<br>18,5 | <b>B250 - 41 ... - 197M4</b><br><b>B263 - 41 ... - 197M4</b> |
| <b>SMD modules for basic switch A02</b>  |           |               |   |  |            |  |
| Mounting form module (switch module ED)  |           |               |   | B200-D   |            | <b>BFE2 - ED</b>   |
| Enclosure module, mounting forms 197M1   |           |               |   |  |            | <b>SBB2- 197M1</b>   |
| Enclosure module, mounting forms 197M4   |           |               |   |  |            | <b>SBB2 -197M4</b>   |
| <b>Mounting brackets for enclosure modules SB (1 Set)</b><br>(Please order separately – accessories see page D5-2) |           |               |   |  |            | <b>SBX1</b>  |
| <b>Dimensions (mm)</b>   |           |               |   |  |            |  |
| <b>Product lines</b>   | <b>H1</b> | <b>B1</b>     | <b>T1</b>   | <b>T2</b>                                      | <b>H2</b>  | <b>B2</b>  |
| B200-D   | 300       | 250           | 150   | 50   | 282        | 185  |



# Enclosed Switches



**Product line  
B200-D**

**Enclosed switch**

**Stainless steel  
enclosure  
brushed**

300 x 250 x 150 mm

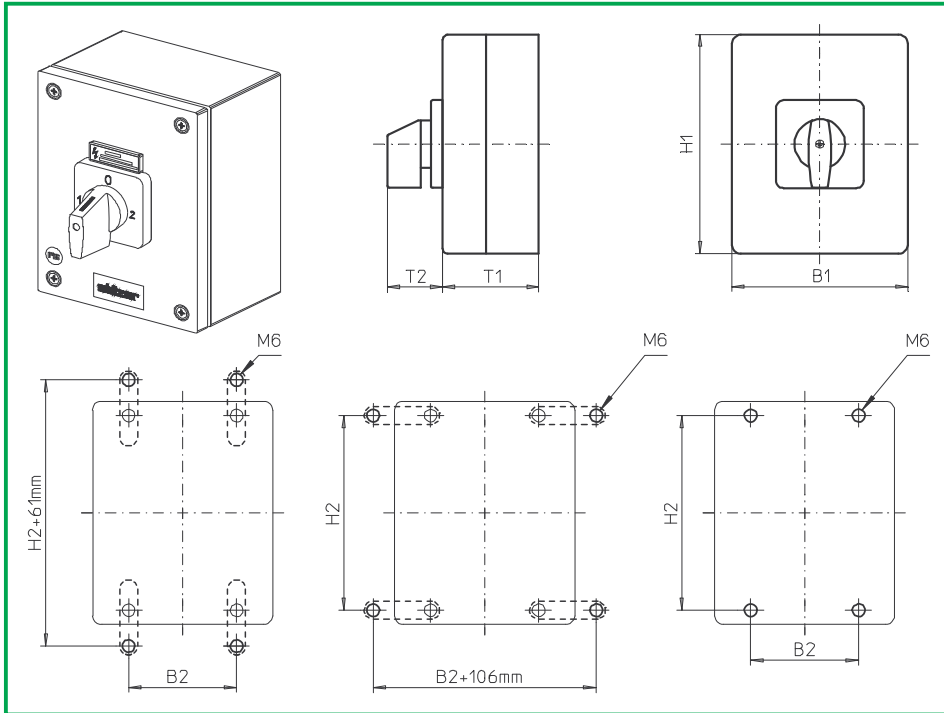
With cover interlock  
in ON position

**197N1 (IP66)**

**197N4 (IP66)**

| Complete switch  | Poles     | Product lines | Rated data (IEC 60947)                            |  |            | Order code number  |
|--|-----------|---------------|---|--|------------|--|
|  |           |               | Operational current I <sub>e</sub><br>AC-21A<br>A | Operational power at 380–440 V<br>AC-23A<br>kW | AC-3<br>kW |  |
| Main Switches<br>OFF position padlockable 09h  | 6 ... 8   | B200-D        | 50  | 18,5   | 15         | <b>B250 - 41 ... - 197N1</b><br><b>B263 - 41 ... - 197N1</b> |
|  |           |               | 63  | 22   | 18,5       |  |
| Main/Emergency-Off Switches<br>OFF position padlockable 09h  | 6 ... 8   | B200-D        | 50  | 18,5   | 15         | <b>B250 - 41 ... - 197N4</b><br><b>B263 - 41 ... - 197N4</b> |
|  |           |               | 63  | 22   | 18,5       |  |
| <b>SMD modules for basic switch A02</b>  |           |               |   |  |            |  |
| Mounting form module (switch module ED)  |           |               | B200-D  |  |            | <b>BFE2 - ED</b>   |
| Enclosure module, mounting forms 197N1   |           |               |   |  |            | <b>SBB2 - 197N1</b>  |
| Enclosure module, mounting forms 197N4   |           |               |   |  |            | <b>SBB2 - 197N4</b>  |
| <b>Mounting brackets for enclosure modules SB (1 Set)</b><br>(Please order separately – accessories see page D5-2) |           |               |   |  |            | <b>SBX1</b>  |
| <b>Dimensions (mm)</b>   |           |               |   |  |            |  |
| <b>Product lines</b>   | <b>H1</b> | <b>B1</b>     | <b>T1</b>   | <b>T2</b>                                      | <b>H2</b>  | <b>B2</b>  |
| B200-D   | 300       | 250           | 150   | 45   | 282        | 185  |

# Enclosed Switches



**Product line  
B200-E**

**Enclosed switch**

**Stainless steel  
enclosure  
brushed**

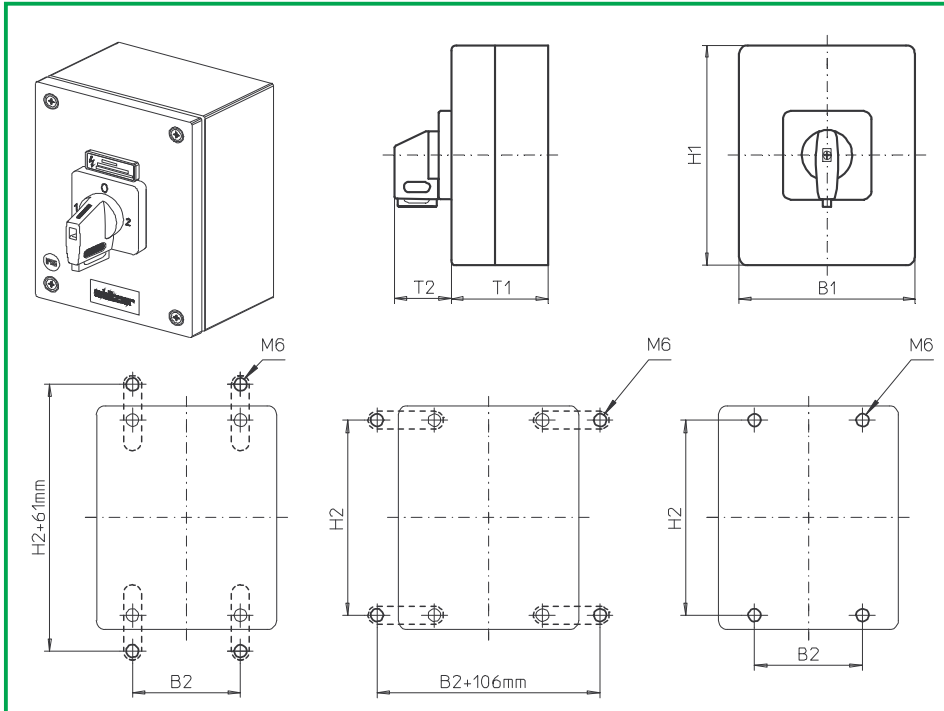
300 x 250 x 150 mm

With cover interlock  
in ON position

**198M1 (IP66)**

| Complete switch  | Poles     | Product lines | Rated data (IEC 60947)             |                                |            | Order code number  |
|--|-----------|---------------|------------------------------------|--------------------------------|------------|--|
|  |           |               | Operational current I <sub>e</sub> | Operational power at 380–440 V |            |  |
|  |           |               | AC-21A<br>A                        | AC-23A<br>kW                   | AC-3<br>kW |  |
| Changeover with OFF<br>Switching angle 90°   | 3 ... 4   | B200-E        | 50<br>63                           | 18,5<br>22                     | 15<br>18,5 | <b>B250 - 71 ... -198M1</b><br><b>B263 - 71 ... -198M1</b> |
| <b>SMD modules for basic switch A02</b>  |           |               |                                    |                                |            |  |
| Mounting form module (switch module ED)  |           |               | B200-E                             |                                |            | <b>BFF2 - ED</b>   |
| Enclosure module, mounting form 198M1  |           |               |                                    |                                |            | <b>SBB2 - 198M1</b>  |
| Legend plate silver, enclosure module 198M1  |           |               |                                    |                                |            | <b>FAS6 - 9...</b> (FA number)                             |
| <b>Mounting brackets for enclosure modules SB (1 Set)</b><br>(Please order separately – accessories see page D5-2) |           |               |                                    |                                |            | <b>SBX1</b>  |
| <b>Dimensions (mm)</b>   |           |               |                                    |                                |            |  |
| <b>Product line</b>  | <b>H1</b> | <b>B1</b>     | <b>T1</b>                          | <b>T2</b>                      | <b>H2</b>  | <b>B2</b>  |
| B200-E   | 300       | 250           | 150                                | 52                             | 282        | 185  |

# Enclosed Switches



**Product line  
B200-E**

**Enclosed switch**

**Stainless steel  
enclosure  
brushed**

300 x 250 x 150 mm

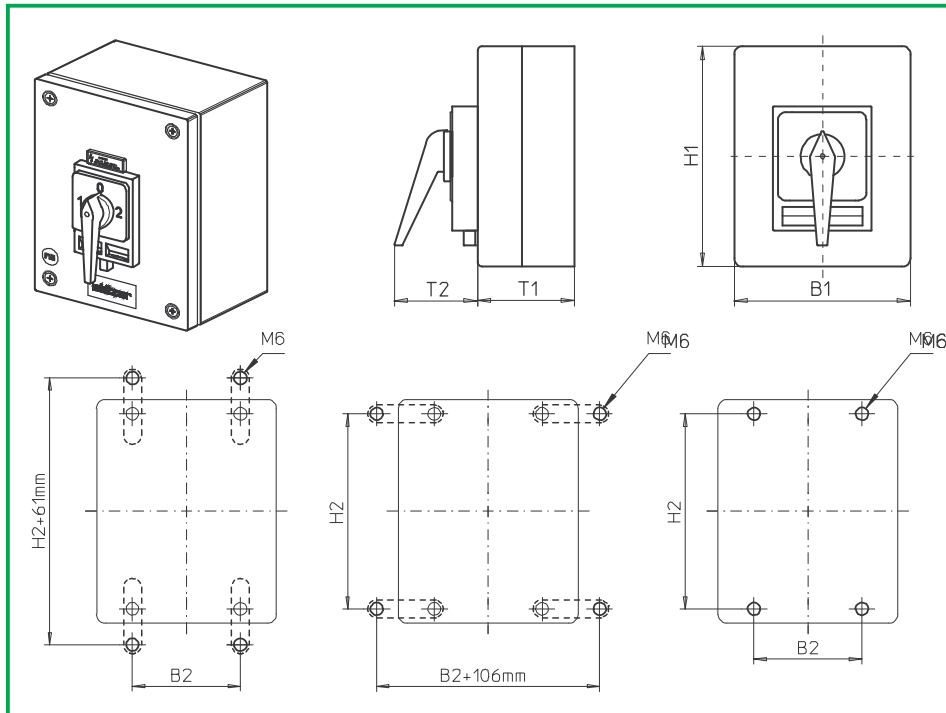
With cover interlock  
in ON position

**196V1 (IP66)**

**198V1 (IP66)**

| Complete switch  | Poles     | Product lines | Rated data (IEC 60947)    |                                |            | Order code number              |
|--|-----------|---------------|---------------------------|--------------------------------|------------|--------------------------------|
|  |           |               | Operational current $I_e$ | Operational power at 380–440 V |            |                                |
|  |           |               | AC-21A<br>A               | AC-23A<br>kW                   | AC-3<br>kW |                                |
| Changeover with OFF<br>Switching angle 90°<br>OFF position padlockable 12h   | 3 ... 4   | B200-E        | 50                        | 18,5                           | 15         | <b>B250 - 71 ... - 196V1</b>   |
|  |           |               | 63                        | 22                             | 18,5       | <b>B263 - 71 ... - 196V1</b>   |
| Changeover with OFF<br>Switching angle 90°<br>3 positions padlockable<br>(09h/12h/03h)                             | 3 ... 4   | B200-E        | 50                        | 18,5                           | 15         | <b>B250 - 71 ... - 198V1</b>   |
|  |           |               | 63                        | 22                             | 18,5       | <b>B263 - 71 ... - 198V1</b>   |
| <b>SMD modules for basic switch A02</b>  |           |               |                           |                                |            |                                |
| Mounting form module (switch module ED)  |           |               | B200-E                    |                                |            | <b>BFF2 - ED</b>               |
| Enclosure module, mounting form 196V1  |           |               |                           |                                |            | <b>SBB2 - 196V1</b>            |
| Enclosure module, mounting form 198V1  |           |               |                           |                                |            | <b>SBB2 - 198V1</b>            |
| Legend plate silver, enclosure modules 196V1/ 198V1  |           |               |                           |                                |            | <b>FAS4 - 9...</b> (FA number) |
| <b>Mounting brackets for enclosure modules SB (1 Set)</b><br>(Please order separately – accessories see page D5-2) |           |               |                           |                                |            | <b>SBX1</b>                    |
| <b>Dimensions (mm)</b>   |           |               |                           |                                |            |                                |
| <b>Product line</b>  | <b>H1</b> | <b>B1</b>     | <b>T1</b>                 | <b>T2</b>                      | <b>H2</b>  | <b>B2</b>                      |
| B200-E   | 300       | 250           | 150                       | 39                             | 282        | 185                            |

# Enclosed Switches



**Product line  
B200-E**

**Enclosed switch**

**Stainless steel  
enclosure  
brushed**

300 x 250 x 150 mm

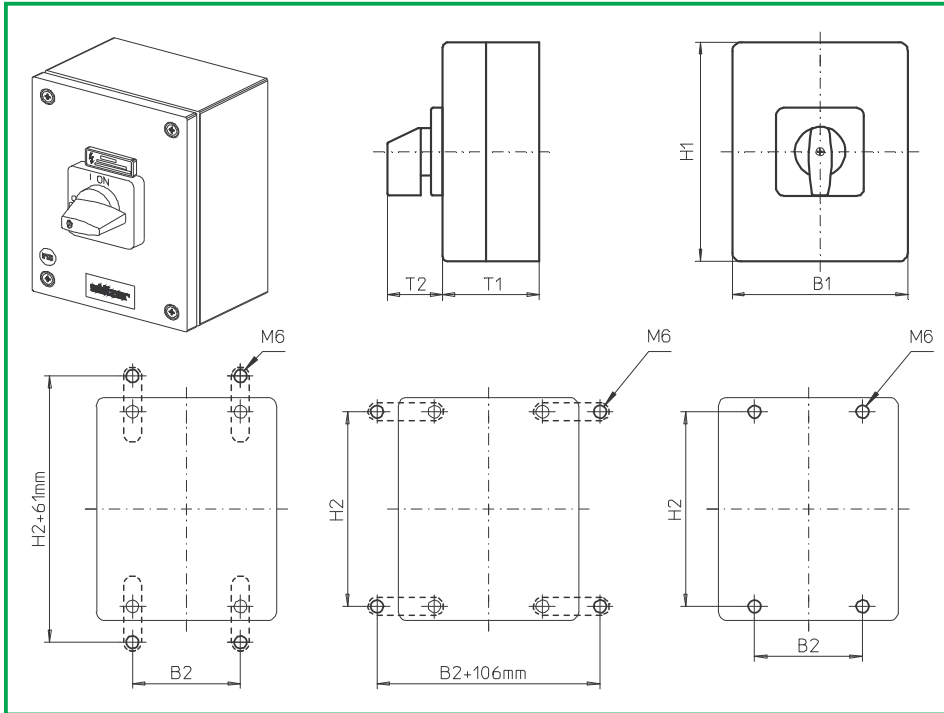
With cover interlock  
in ON position

**196H1 (IP66)**

**198H1 (IP66)**

| Complete switch  | Poles     | Product lines | Rated data (IEC 60947)             |                                |            | Order code number  |
|--|-----------|---------------|------------------------------------|--------------------------------|------------|--|
|  |           |               | Operational current I <sub>e</sub> | Operational power at 380–440 V |            |  |
|  |           |               | AC-21A<br>A                        | AC-23A<br>kW                   | AC-3<br>kW |  |
| Changeover with OFF<br>Switching angle 90°<br>OFF position padlockable 12h   | 3 ... 4   | B200-E        | 50<br>63                           | 18,5<br>22                     | 15<br>18,5 | <b>B250 - 71 ... - 196H1</b><br><b>B263 - 71 ... - 196H1</b> |
| Changeover with OFF<br>Switching angle 90°<br>3 positions padlockable<br>(09h/12h/03h)                             | 3 ... 4   | B200-E        | 50<br>63                           | 18,5<br>22                     | 15<br>18,5 | <b>B250 - 71 ... - 198H1</b><br><b>B263 - 71 ... - 198H1</b> |
| <b>SMD modules for basic switch A02</b>  |           |               |                                    |                                |            |  |
| Mounting form module for 186H1/188H1   |           |               |                                    | B200-E                         |            | <b>BFF2 - ED</b>   |
| Enclosure module, mounting forms 196H1   |           |               |                                    |                                |            | <b>SBB2 - 196H1</b>  |
| Enclosure module, mounting forms 198H1   |           |               |                                    |                                |            | <b>SBB2 - 198H1</b>  |
| Legend plate silver, enclosure module 196H1/198H1  |           |               |                                    |                                |            | <b>FAS6 - 9006</b>   |
| <b>Mounting brackets for enclosure modules SB (1 Set)</b><br>(Please order separately – accessories see page D5-2) |           |               |                                    |                                |            | <b>SBX1</b>  |
| <b>Dimensions (mm)</b>   |           |               |                                    |                                |            |  |
| <b>Product line</b>  | <b>H1</b> | <b>B1</b>     | <b>T1</b>                          | <b>T2</b>                      | <b>H2</b>  | <b>B2</b>  |
| B200-E   | 300       | 250           | 150                                | 83                             | 282        | 185  |

# Enclosed Switches



**Product line  
B200-A**

**Enclosed switch**

**Stainless steel  
enclosure  
brushed**

200 x 150 x 120 mm

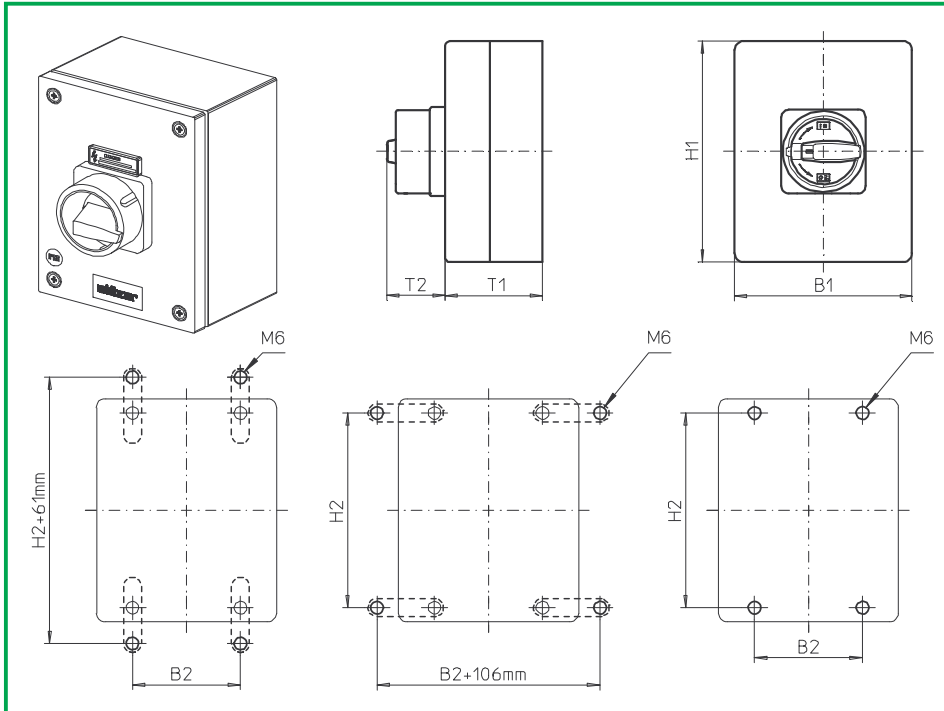
With cover interlock  
in ON position

without N module(s)  
in the enclosure

**596M1 (IP66)**

| Complete switch  | Poles     | Product lines | Rated data (IEC 60947)             |                                |            | Order code number  |
|--|-----------|---------------|------------------------------------|--------------------------------|------------|--|
|  |           |               | Operational current I <sub>e</sub> | Operational power at 380–440 V |            |  |
|  |           |               | AC-21A<br>A                        | AC-23A<br>kW                   | AC-3<br>kW |  |
| ON-OFF Switches<br>Switching angle 90°   | 2 or<br>4 | B200-A        | 50<br>63                           | 18,5<br>22                     | 15<br>18,5 | <b>B250 - 41 ... - 596M1</b><br><b>B263 - 41 ... - 596M1</b> |
| Realisable switching programmes:<br>2-pole <b>41200</b> , 41211, 41220<br>4-pole <b>41400</b> , 41411 and 41420    |           |               |                                    |                                |            |  |
| <b>SMD modules for basic switch A02</b>  |           |               |                                    |                                |            |  |
| Mounting form module (switch module ED)  |           |               | B200-A                             |                                |            | <b>BFD2 - ED</b>   |
| Enclosure module, mounting form 596M1  |           |               |                                    |                                |            | <b>SBH2 - 696M1</b>  |
| Legend plate silver, enclosure module 596M1  |           |               |                                    |                                |            | <b>FAS4 - 9...</b> (FA number)                               |
| <b>Mounting brackets for enclosure modules SB (1 Set)</b><br>(Please order separately – accessories see page D5-2) |           |               |                                    |                                |            | <b>SBX1</b>  |
| <b>Dimensions (mm)</b>   |           |               |                                    |                                |            |  |
| <b>Product lines</b>   | <b>H1</b> | <b>B1</b>     | <b>T1</b>                          | <b>T2</b>                      | <b>H2</b>  | <b>B2</b>  |
| B200-A   | 200       | 150           | 120                                | 39                             | 182        | 85   |

# Enclosed Switches



**Product line  
B200-A**

**Enclosed switch**

**Stainless steel  
enclosure  
brushed**

200 x 150 x 120 mm

With cover interlock  
in ON position

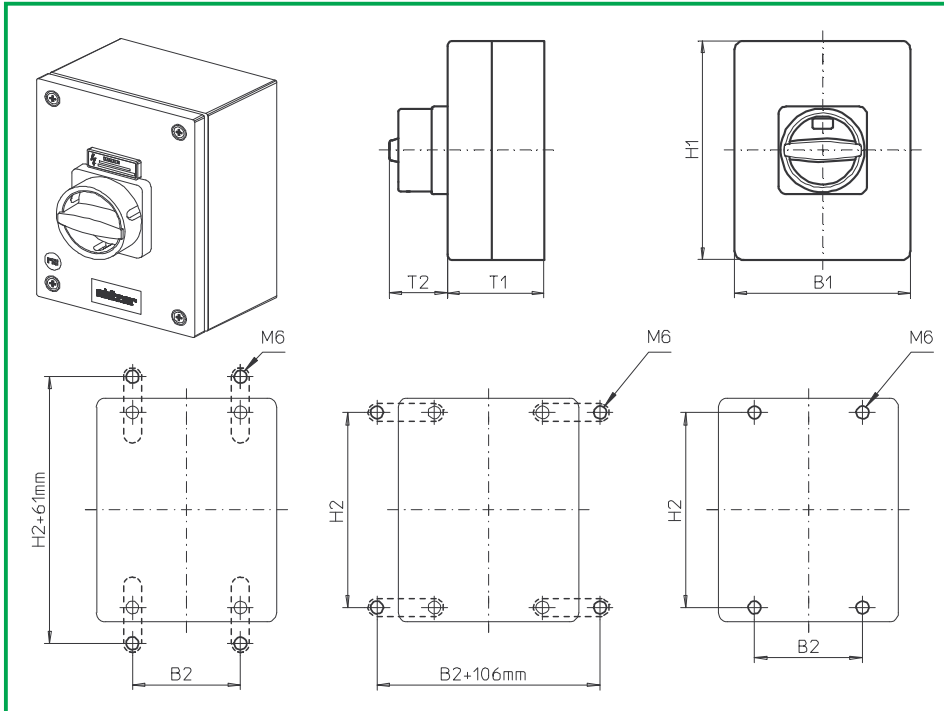
without N module(s)  
in the enclosure

**597M1 (IP66)**

**597M4 (IP66)**

| Complete switch  | Poles     | Product lines | Rated data (IEC 60947)             |                                |              | Order code number  |
|--|-----------|---------------|------------------------------------|--------------------------------|--------------|--|
|  |           |               | Operational current I <sub>e</sub> | Operational power at 380–440 V |              |  |
|  |           |               | AC-21A<br>A                        | AC-23A<br>kW                   | AC-3<br>kW   |  |
| Main Switches<br>OFF position padlockable 09h  | 2 or      | B200-A        | 50                                 | 18,5                           | 15           | <b>B250 - 41 ... - 597M1</b><br><b>B263 - 41 ... - 597M1</b> |
|  | 4         |               | 63                                 | 22                             | 18,5         |  |
| Main/Emergency-Off Switches<br>OFF position padlockable 09h  | 2 or      | B200-A        | 50                                 | 18,5                           | 15           | <b>B250 - 41 ... - 597M4</b><br><b>B263 - 41 ... - 597M4</b> |
|  | 4         |               | 63                                 | 22                             | 18,5         |  |
| Realisable switching programmes:<br>2-pole <b>41200</b> , 41211, 41220<br>4-pole <b>41400</b> , 41411 and 41420    |           |               |                                    |                                |              |  |
| <b>SMD modules for basic switch A02</b>  |           |               |                                    |                                |              |  |
| Mounting form module (switch module ED)  |           |               | B200-A                             |                                | BFD2 - ED    |  |
| Enclosure module, mounting forms 597M1   |           |               |                                    |                                | SBH2 - 697M1 |  |
| Enclosure module, mounting forms 597M4   |           |               |                                    |                                | SBH2 - 697M4 |  |
| <b>Mounting brackets for enclosure modules SB (1 Set)</b><br>(Please order separately – accessories see page D5-2) |           |               |                                    |                                |              | SBX1   |
| <b>Dimensions (mm)</b>   |           |               |                                    |                                |              |  |
| <b>Product lines</b>   | <b>H1</b> | <b>B1</b>     | <b>T1</b>                          | <b>T2</b>                      | <b>H2</b>    | <b>B2</b>  |
| B200-A   | 200       | 150           | 120                                | 38                             | 182          | 85   |

# Enclosed Switches



**Product line  
B200-A**

**Enclosed switch**

**Stainless steel  
enclosure  
brushed**

200 x 150 x 120 mm

With cover interlock  
in ON position

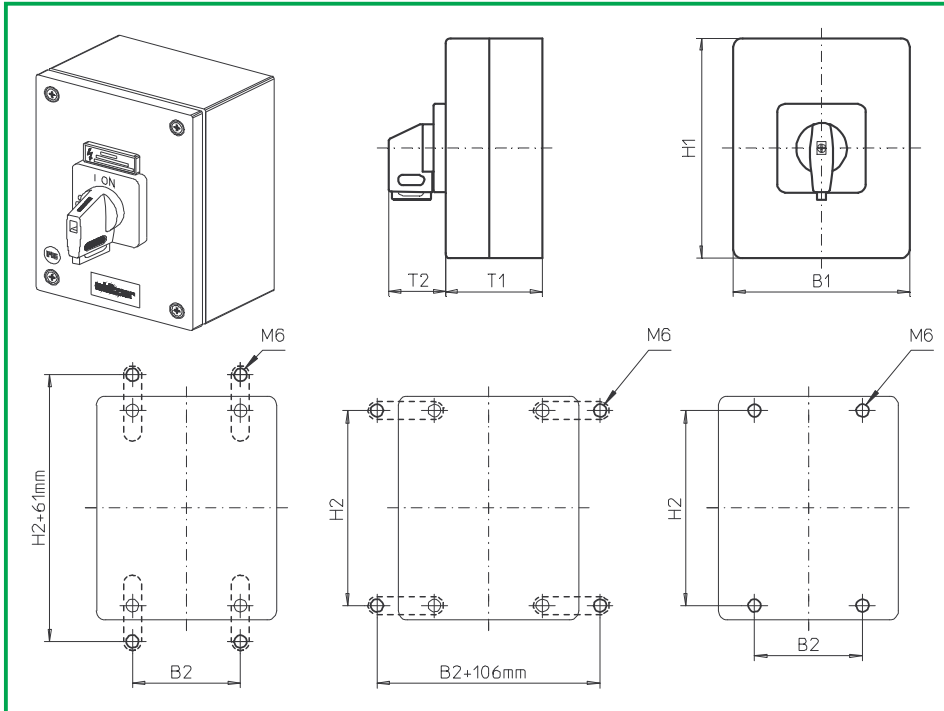
without N module(s)  
in the enclosure

**597N1 (IP66)**

**597N4 (IP66)**

| Complete switch  | Poles     | Product lines | Rated data (IEC 60947)                            |  |              | Order code number  |
|--|-----------|---------------|---|--|--------------|--|
|  |           |               | Operational current I <sub>e</sub><br>AC-21A<br>A | Operational power at 380–440 V<br>AC-23A<br>kW | AC-3<br>kW   |  |
| Main Switches<br>OFF position padlockable 09h  | 2 or      | B200-A        | 50  | 18,5   | 15           | <b>B250 - 41 ... - 597N1</b><br><b>B263 - 41 ... - 597N1</b> |
|  | 4         |               | 63  | 22   | 18,5         |  |
| Main/Emergency-Off Switches<br>OFF position padlockable 09h  | 2 or      | B200-A        | 50  | 18,5   | 15           | <b>B250 - 41 ... - 597N4</b><br><b>B263 - 41 ... - 597N4</b> |
|  | 4         |               | 63  | 22   | 18,5         |  |
| Realisable switching programmes:<br>2-pole <b>41200</b> , 41211, 41220<br>4-pole <b>41400</b> , 41411 and 41420    |           |               |   |  |              |  |
| <b>SMD modules for basic switch A02</b>  |           |               |   |  |              |  |
| Mounting form module (switch module ED)  |           |               | B200-A  |  | BFD2 - ED    |  |
| Enclosure module, mounting forms 597N1   |           |               |   |  | SBH2 - 697N1 |  |
| Enclosure module, mounting forms 597N4   |           |               |   |  | SBH2 - 697N4 |  |
| <b>Mounting brackets for enclosure modules SB (1 Set)</b><br>(Please order separately – accessories see page D5-2) |           |               |   |  | SBX1         |  |
| <b>Dimensions (mm)</b>   |           |               |   |  |              |  |
| <b>Product lines</b>   | <b>H1</b> | <b>B1</b>     | <b>T1</b>   | <b>T2</b>                                      | <b>H2</b>    | <b>B2</b>  |
| B200-A   | 200       | 150           | 120   | 33   | 182          | 85   |

# Enclosed Switches



**Product line  
B200-A**

**Enclosed switch**

**Stainless steel  
enclosure  
brushed**

200 x 150 x 120 mm

With cover interlock  
in ON position

without N module(s)  
in the enclosure

**597V1 (IP66)**

**597V4 (IP66)**

| Complete switch   | Poles | Product lines | Rated data (IEC 60947)             |                                |            | Order code number  |
|---|-------|---------------|------------------------------------|--------------------------------|------------|--|
|   |       |               | Operational current I <sub>e</sub> | Operational power at 380–440 V |            |  |
|   |       |               | AC-21A<br>A                        | AC-23A<br>kW                   | AC-3<br>kW |  |
| Main Switches<br>OFF position padlockable 09h               | 2 or  | B200-A        | 50                                 | 18,5                           | 15         | <b>B250 - 41 ... - 597V1</b><br><b>B263 - 41 ... - 597V1</b> |
|   | 4     |               | 63                                 | 22                             | 18,5       |  |
| Main/Emergency-Off Switches<br>OFF position padlockable 09h | 2 or  | B200-A        | 50                                 | 18,5                           | 15         | <b>B250 - 41 ... - 597V4</b><br><b>B263 - 41 ... - 597V4</b> |
|   | 4     |               | 63                                 | 22                             | 18,5       |  |

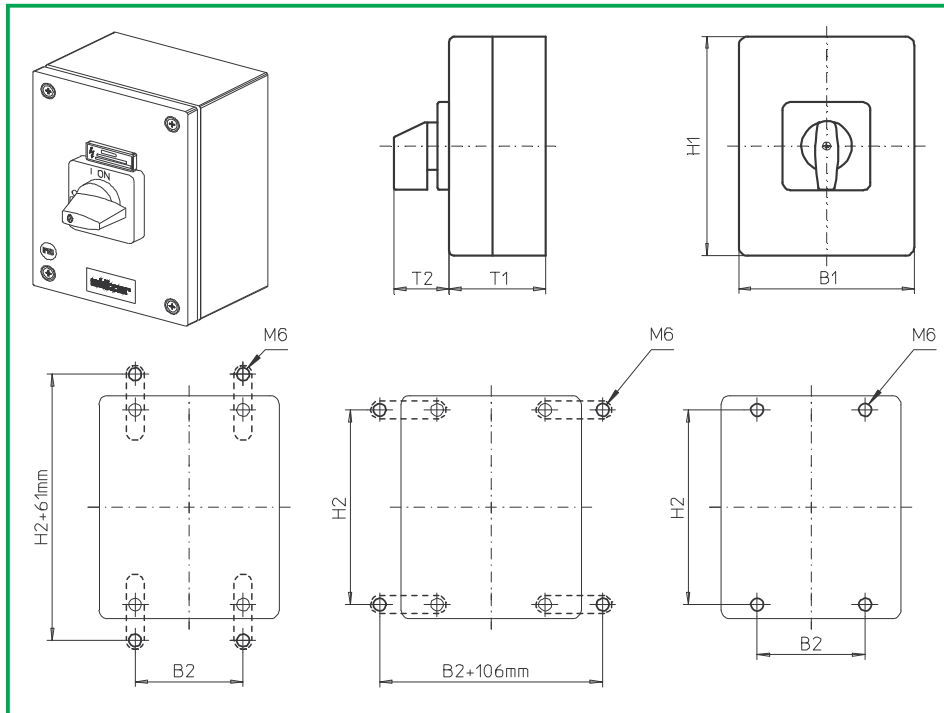
Realisable switching programmes:  
 2-pole **41200**, 41211, 41220  
 4-pole **41400**, 41411 and 41420

| SMD modules for basic switch A02   |        |                                |
|--|--------|--------------------------------|
| Mounting form module (switch module ED)  | B200-A | <b>BFD2 - ED</b>               |
| Enclosure module, mounting forms 597V1   |        | <b>SBH2 - 697V1</b>            |
| Enclosure module, mounting forms 597V4   |        | <b>SBH2 - 697V4</b>            |
| Legend plate silver, enclosure module 597V1  |        | <b>FAS4 - 9...</b> (FA number) |
| Legend plate yellow, enclosure module 597V4  |        | <b>FBS4 - 9...</b> (FA number) |
| <b>Mounting brackets for enclosure modules SB (1 Set)</b><br>(Please order separately – accessories see page D5-2) |        | <b>SBX1</b>                    |

| Dimensions (mm) |     |     |     |    |     |    |  |
|-----------------|-----|-----|-----|----|-----|----|--|
| Product lines   | H1  | B1  | T1  | T2 | H2  | B2 |  |
| B200-A          | 200 | 150 | 120 | 39 | 182 | 85 |  |



# Enclosed Switches



**Product lines  
B200-D/ -E**

**Enclosed switch**

**Stainless steel  
enclosure  
brushed**

300 x 250 x 150 mm

With cover interlock  
in ON position

without N module(s)  
in the enclosure

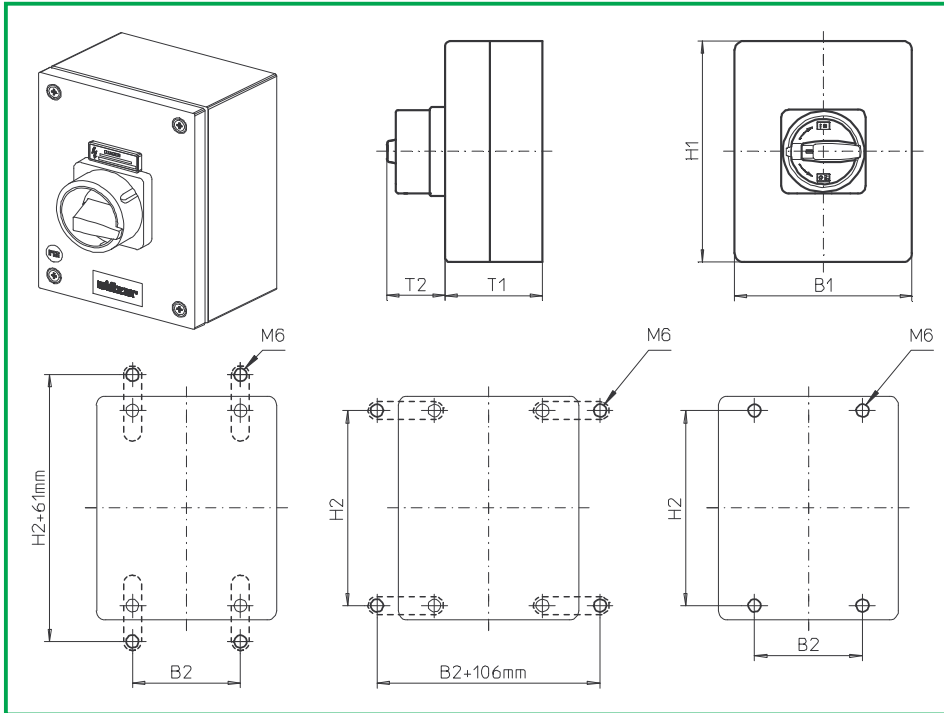
**696M1 (IP66)**

| Complete switch                            | Poles | Product lines | Rated data (IEC 60947)    |                                |            | Order code number           |
|--|-------|---------------|---------------------------|--------------------------------|------------|-----------------------------|
|  |       |               | Operational current $I_e$ | Operational power at 380–440 V |            |                             |
|  |       |               | AC-21A<br>A               | AC-23A<br>kW                   | AC-3<br>kW |                             |
| ON-OFF Switches<br>Switching angle 90°     | 4 or  | B200-D        | 50                        | 18,5                           | 15         | <b>B250 - 41 ... -696M1</b> |
|  | 8     |               | 63                        | 22                             | 18,5       | <b>B263 - 41 ... -696M1</b> |
| Changeover with OFF<br>Switching angle 90° | 4     | B200-E        | 50                        | 18,5                           | 15         | <b>B250 - 71 ... -696M1</b> |
|  |       |               | 63                        | 22                             | 18,5       | <b>B263 - 71 ... -696M1</b> |

| SMD modules for basic switch A02   |            |                                |
|--|------------|--------------------------------|
| Mounting form module (switch module ED)  | B200-D     | <b>BFE2 - ED</b>               |
| Mounting form module (switch module ED)  | B200-E     | <b>BFF2 - ED</b>               |
| Enclosure module, mounting form 696M1  | B200-D/ -E | <b>SBH4 - 696M1</b>            |
| Legend plate silver, enclosure module 696M1  | B200-D/ -E | <b>FAS6 - 9...</b> (FA number) |
| <b>Mounting brackets for enclosure modules SB (1 Set)</b><br>(Please order separately – accessories see page D5-2) |            | <b>SBX1</b>                    |

| Dimensions (mm) |     |     |     |    |     |     |  |
|-----------------|-----|-----|-----|----|-----|-----|--|
| Product lines   | H1  | B1  | T1  | T2 | H2  | B2  |  |
| B200-D/ -E      | 300 | 250 | 150 | 52 | 282 | 185 |  |

# Enclosed Switches



**Product line  
B200-D**

**Enclosed switch**

**Stainless steel  
enclosure  
brushed**

300 x 250 x 150 mm

With cover interlock  
in ON position

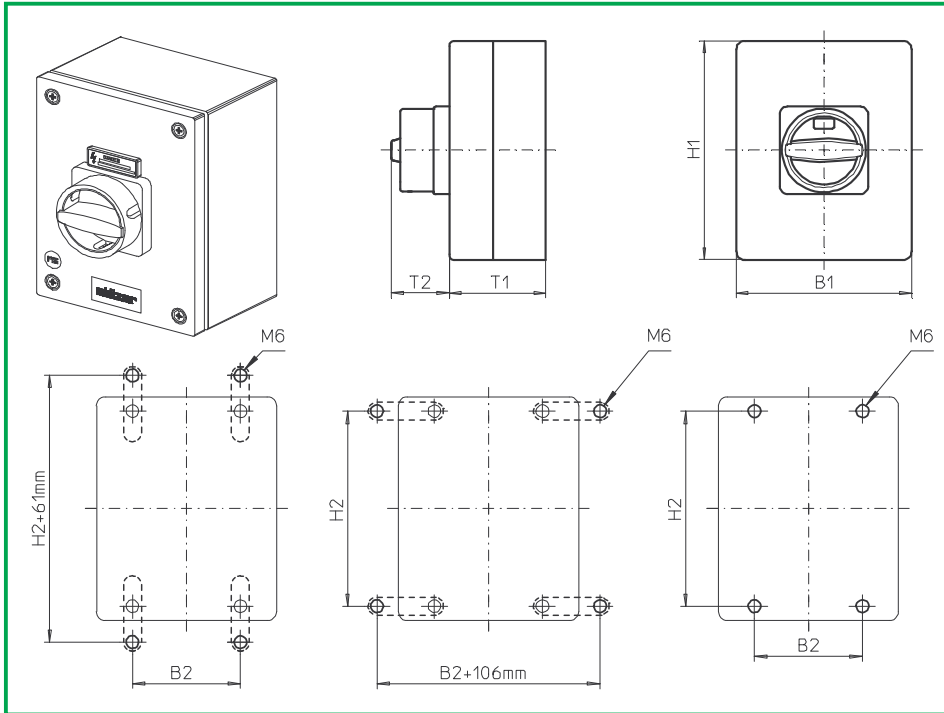
without N module(s)  
in the enclosure

**697M1 (IP66)**

**697M4 (IP66)**

| Complete switch  | Poles     | Product lines | Rated data (IEC 60947)                            |  |            | Order code number  |
|--|-----------|---------------|---|--|------------|--|
|  |           |               | Operational current I <sub>e</sub><br>AC-21A<br>A | Operational power at 380–440 V<br>AC-23A<br>kW | AC-3<br>kW |  |
| Main Switches<br>OFF position padlockable 09h  | 4 or<br>8 | B200-D        | 50<br>63  | 18,5<br>22                                     | 15<br>18,5 | <b>B250 - 41 ... - 697M1</b><br><b>B263 - 41 ... - 697M1</b> |
| Main/Emergency-Off Switches<br>OFF position padlockable 09h  | 4 or<br>8 | B200-D        | 50<br>63  | 18,5<br>22                                     | 15<br>18,5 | <b>B250 - 41 ... - 697M4</b><br><b>B263 - 41 ... - 697M4</b> |
| <b>SMD modules for basic switch A02</b>  |           |               |   |  |            |  |
| Mounting form module (switch module ED)  |           |               |   | B200-D   |            | <b>BFE2 - ED</b>   |
| Enclosure module, mounting forms 697M1   |           |               |   |  |            | <b>SBH4 - 697M1</b>  |
| Enclosure module, mounting forms 697M4   |           |               |   |  |            | <b>SBH4 - 697M4</b>  |
| <b>Mounting brackets for enclosure modules SB (1 Set)</b><br>(Please order separately – accessories see page D5-2) |           |               |   |  |            | <b>SBX1</b>  |
| <b>Dimensions (mm)</b>   |           |               |   |  |            |  |
| <b>Product lines</b>   | <b>H1</b> | <b>B1</b>     | <b>T1</b>   | <b>T2</b>                                      | <b>H2</b>  | <b>B2</b>  |
| B200-D   | 300       | 250           | 150   | 50   | 282        | 185  |

# Enclosed Switches



**Product line  
B200-D**

**Enclosed switch**

**Stainless steel  
enclosure  
brushed**

300 x 250 x 150 mm

With cover interlock  
in ON position

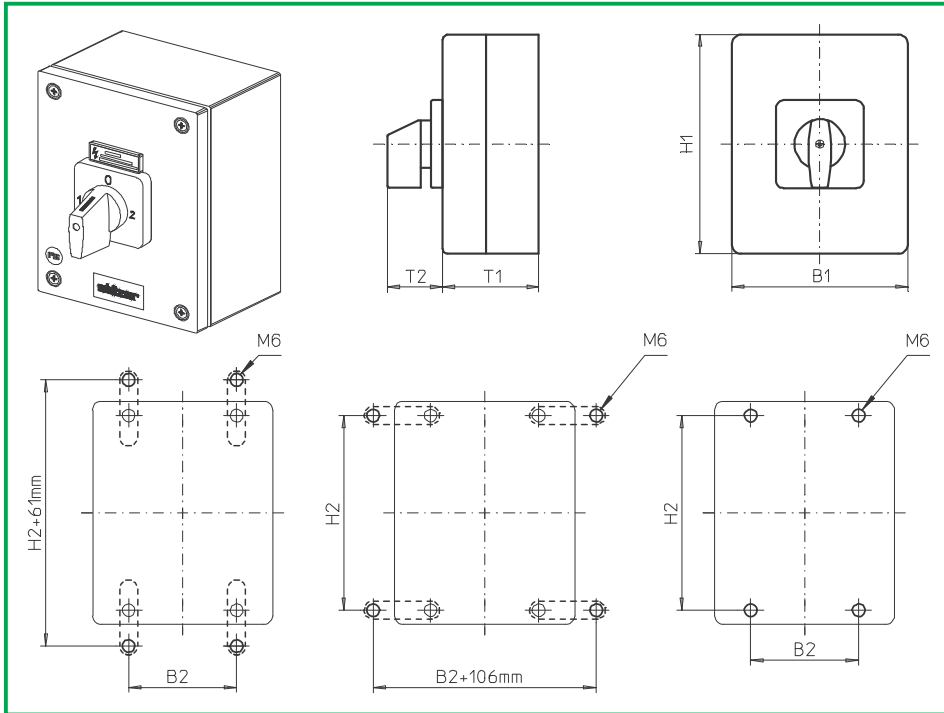
without N module(s)  
in the enclosure

**697N1 (IP66)**

**697N4 (IP66)**

| Complete switch  | Poles     | Product lines | Rated data (IEC 60947)                            |  |            | Order code number  |
|--|-----------|---------------|---|--|------------|--|
|  |           |               | Operational current I <sub>e</sub><br>AC-21A<br>A | Operational power at 380–440 V<br>AC-23A<br>kW | AC-3<br>kW |  |
| Main Switches<br>OFF position padlockable 09h  | 4 or      | B200-D        | 50  | 18,5   | 15         | <b>B250 - 41 ... - 697N1</b><br><b>B263 - 41 ... - 697N1</b> |
|  | 8         |               | 63  | 22   | 18,5       |  |
| Main/Emergency-Off Switches<br>OFF position padlockable 09h  | 4 or      | B200-D        | 50  | 18,5   | 15         | <b>B250 - 41 ... - 687N4</b><br><b>B263 - 41 ... - 687N4</b> |
|  | 8         |               | 63  | 22   | 18,5       |  |
| <b>SMD modules for basic switch A02</b>  |           |               |   |  |            |  |
| Mounting form module (switch module ED)  |           |               | B200-D  |  |            | <b>BFE2 - ED</b>   |
| Enclosure module, mounting forms 697N1   |           |               |   |  |            | <b>SBH4 - 697N1</b>  |
| Enclosure module, mounting forms 697N4   |           |               |   |  |            | <b>SBH4 - 697N4</b>  |
| <b>Mounting brackets for enclosure modules SB (1 Set)</b><br>(Please order separately – accessories see page D5-2) |           |               |   |  |            | <b>SBX1</b>  |
| <b>Dimensions (mm)</b>   |           |               |   |  |            |  |
| <b>Product lines</b>   | <b>H1</b> | <b>B1</b>     | <b>T1</b>   | <b>T2</b>                                      | <b>H2</b>  | <b>B2</b>  |
| B200-D   | 300       | 250           | 150   | 45   | 282        | 185  |

# Enclosed Switches



**Product line  
B200-E**

**Enclosed switch**

**Stainless steel  
enclosure  
brushed**

300 x 250 x 150 mm

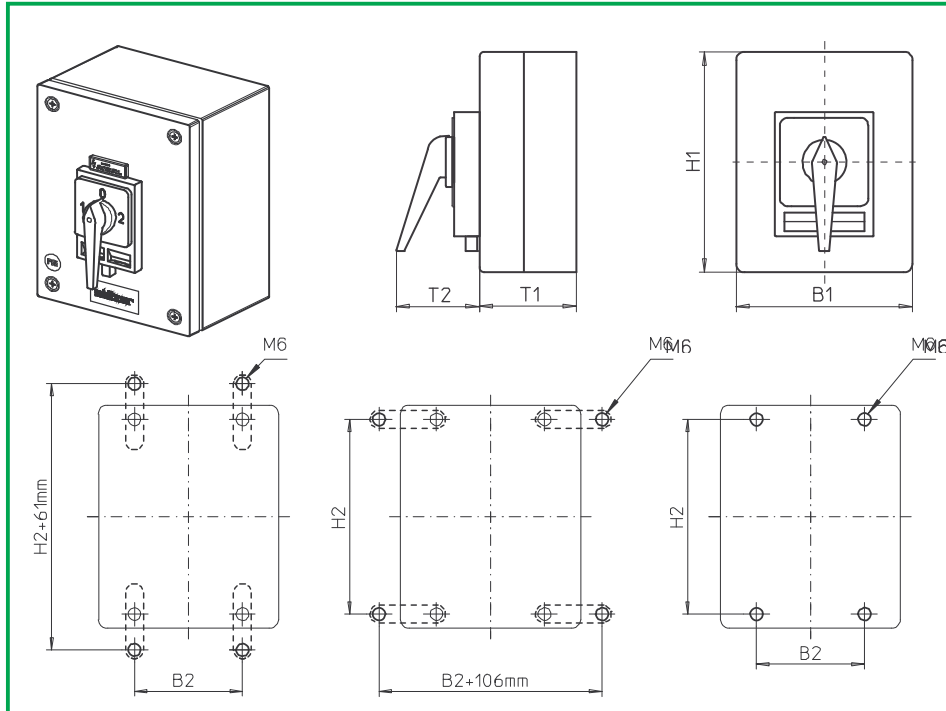
With cover interlock  
in ON position

without N module(s)  
in the enclosure

**698M1 (IP66)**

| Complete switch  | Poles     | Product lines | Rated data (IEC 60947)             |                                |            | Order code number  |
|--|-----------|---------------|------------------------------------|--------------------------------|------------|--|
|  |           |               | Operational current I <sub>e</sub> | Operational power at 380–440 V |            |  |
|  |           |               | AC-21A<br>A                        | AC-23A<br>kW                   | AC-3<br>kW |  |
| Changeover with OFF<br>Switching angle 90°   | 4         | B200-E        | 50<br>63                           | 18,5<br>22                     | 15<br>18,5 | <b>B250 - 71 ... -698M1</b><br><b>B263 - 71 ... -698M1</b> |
| <b>SMD modules for basic switch A02</b>  |           |               |                                    |                                |            |  |
| Mounting form module (switch module ED)  |           |               | B200-E                             |                                |            | <b>BFF2 - ED</b>   |
| Enclosure module, mounting form 698M1  |           |               |                                    |                                |            | <b>SBH4 - 698M1</b>  |
| Legend plate silver, enclosure module 698M1  |           |               |                                    |                                |            | <b>FAS6 - 9...</b> (FA number)                             |
| <b>Mounting brackets for enclosure modules SB (1 Set)</b><br>(Please order separately – accessories see page D5-2) |           |               |                                    |                                |            | <b>SBX1</b>  |
| <b>Dimensions (mm)</b>   |           |               |                                    |                                |            |  |
| <b>Product line</b>  | <b>H1</b> | <b>B1</b>     | <b>T1</b>                          | <b>T2</b>                      | <b>H2</b>  | <b>B2</b>  |
| B200-E   | 300       | 250           | 150                                | 52                             | 282        | 185  |

# Enclosed Switches



**Product line  
B200-E**

**Enclosed switch**

**Stainless steel  
enclosure  
brushed**

300 x 250 x 150 mm

With cover interlock  
in ON position

without N module(s)  
in the enclosure

**696H1 (IP66)**

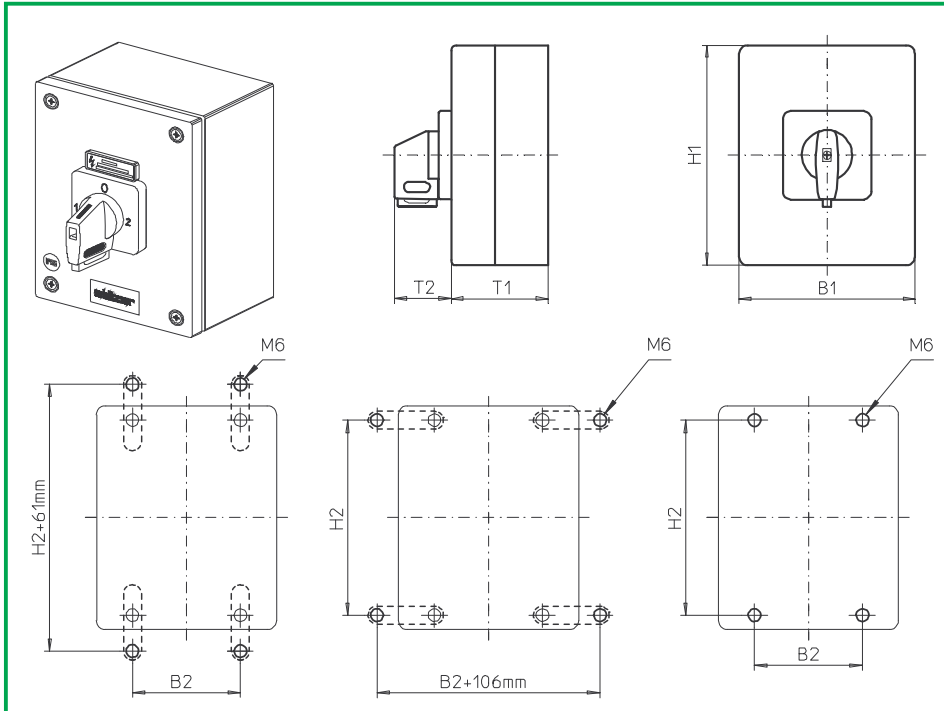
**698H1 (IP66)**

| Complete switch  | Poles | Product lines | Rated data (IEC 60947)             |                                |            | Order code number            |
|--|-------|---------------|------------------------------------|--------------------------------|------------|------------------------------|
|  |       |               | Operational current I <sub>e</sub> | Operational power at 380–440 V |            |                              |
|  |       |               | AC-21A<br>A                        | AC-23A<br>kW                   | AC-3<br>kW |                              |
| Changeover with OFF<br>Switching angle 90°<br>OFF position padlockable 12h             | 4     | B200-E        | 50                                 | 18,5                           | 15         | <b>B250 - 71 ... - 696H1</b> |
|  |       |               | 63                                 | 22                             | 18,5       | <b>B263 - 71 ... - 696H1</b> |
| Changeover with OFF<br>Switching angle 90°<br>3 positions padlockable<br>(09h/12h/03h) | 4     | B200-E        | 50                                 | 18,5                           | 15         | <b>B250 - 71 ... - 698H1</b> |
|  |       |               | 63                                 | 22                             | 18,5       | <b>B263 - 71 ... - 698H1</b> |

| SMD modules for basic switch A02   |  |        |                                |
|--|--|--------|--------------------------------|
| Mounting form module (switch module ED)  |  | B200-E | <b>BFF2 - ED</b>               |
| Enclosure module, mounting form 696H1  |  |        | <b>SBH4 - 696H1</b>            |
| Enclosure module, mounting form 698H1  |  |        | <b>SBH4 - 698H1</b>            |
| Legend plate silver, enclosure modules 686H1/ 688H1  |  |        | <b>FAS4 - 9...</b> (FA number) |
| <b>Mounting brackets for enclosure modules SB (1 Set)</b><br>(Please order separately – accessories see page D5-2) |  |        | <b>SBX1</b>                    |

| Dimensions (mm) |     |     |     |    |     |     |  |
|-----------------|-----|-----|-----|----|-----|-----|--|
| Product line    | H1  | B1  | T1  | T2 | H2  | B2  |  |
| B200-E          | 300 | 250 | 150 | 83 | 282 | 185 |  |

# Enclosed Switches



**Product line  
B200-E**

**Enclosed switch**

**Stainless steel  
enclosure  
brushed**

300 x 250 x 150 mm

With cover interlock  
in ON position

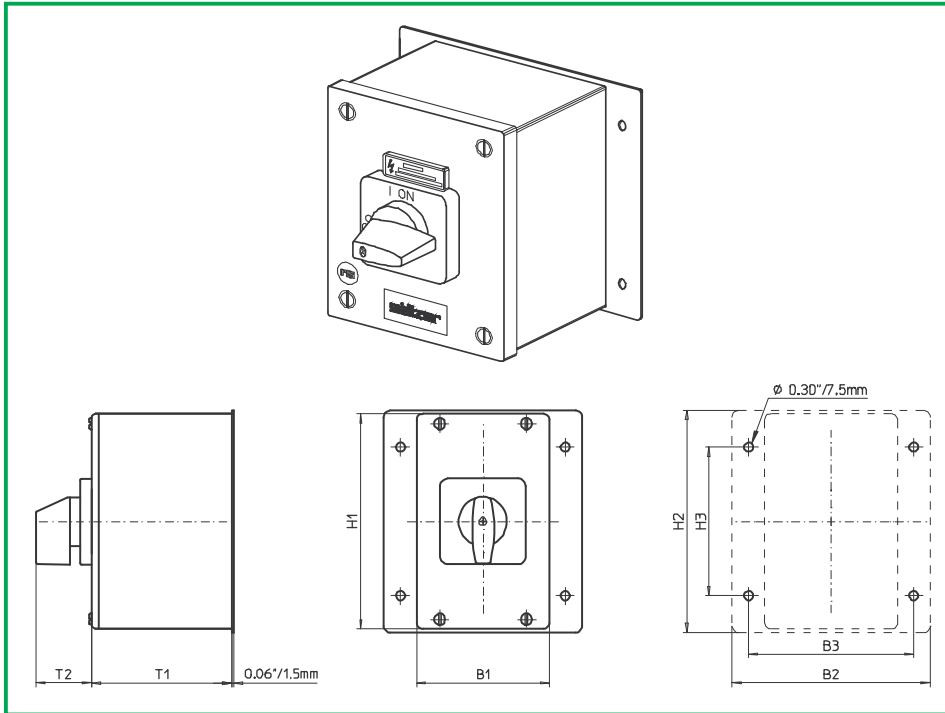
without N module(s)  
in the enclosure

**696V1 (IP66)**

**698V1 (IP66)**

| Complete switch  | Poles     | Product lines | Rated data (IEC 60947)             |                                |            | Order code number              |
|--|-----------|---------------|------------------------------------|--------------------------------|------------|--------------------------------|
|  |           |               | Operational current I <sub>e</sub> | Operational power at 380–440 V |            |                                |
|  |           |               | AC-21A<br>A                        | AC-23A<br>kW                   | AC-3<br>kW |                                |
| Changeover with OFF<br>Switching angle 90°<br>OFF position padlockable 12h   | 4         | B200-E        | 50                                 | 18,5                           | 15         | <b>B250 - 71 ... - 696V1</b>   |
|  |           |               | 63                                 | 22                             | 18,5       | <b>B263 - 71 ... - 696V1</b>   |
| Changeover with OFF<br>Switching angle 90°<br>3 positions padlockable<br>(09h/12h/03h)                             | 4         | B200-E        | 50                                 | 18,5                           | 15         | <b>B250 - 71 ... - 698V1</b>   |
|  |           |               | 63                                 | 22                             | 18,5       | <b>B263 - 71 ... - 698V1</b>   |
| <b>SMD modules for basic switch A02</b>  |           |               |                                    |                                |            |                                |
| Mounting form module (switch module ED)  |           |               | B200-E                             |                                |            | <b>BFF2 - ED</b>               |
| Enclosure module, mounting form 696V1  |           |               |                                    |                                |            | <b>SBH4 - 696V1</b>            |
| Enclosure module, mounting form 698V1  |           |               |                                    |                                |            | <b>SBH4 - 698V1</b>            |
| Legend plate silver, enclosure modules 196V1/ 198V1  |           |               |                                    |                                |            | <b>FAS4 - 9...</b> (FA number) |
| <b>Mounting brackets for enclosure modules SB (1 Set)</b><br>(Please order separately – accessories see page D5-2) |           |               |                                    |                                |            | <b>SBX1</b>                    |
| <b>Dimensions (mm)</b>   |           |               |                                    |                                |            |                                |
| <b>Product line</b>  | <b>H1</b> | <b>B1</b>     | <b>T1</b>                          | <b>T2</b>                      | <b>H2</b>  | <b>B2</b>                      |
| B200-E   | 300       | 250           | 150                                | 39                             | 282        | 185                            |

# Enclosed Switches



**Product line  
B200-A**

**Enclosed switch**

**Stainless steel  
enclosure  
polished**

160 x 160 x 110 mm

With cover interlock  
in OFF position

without N module(s)  
in the enclosure

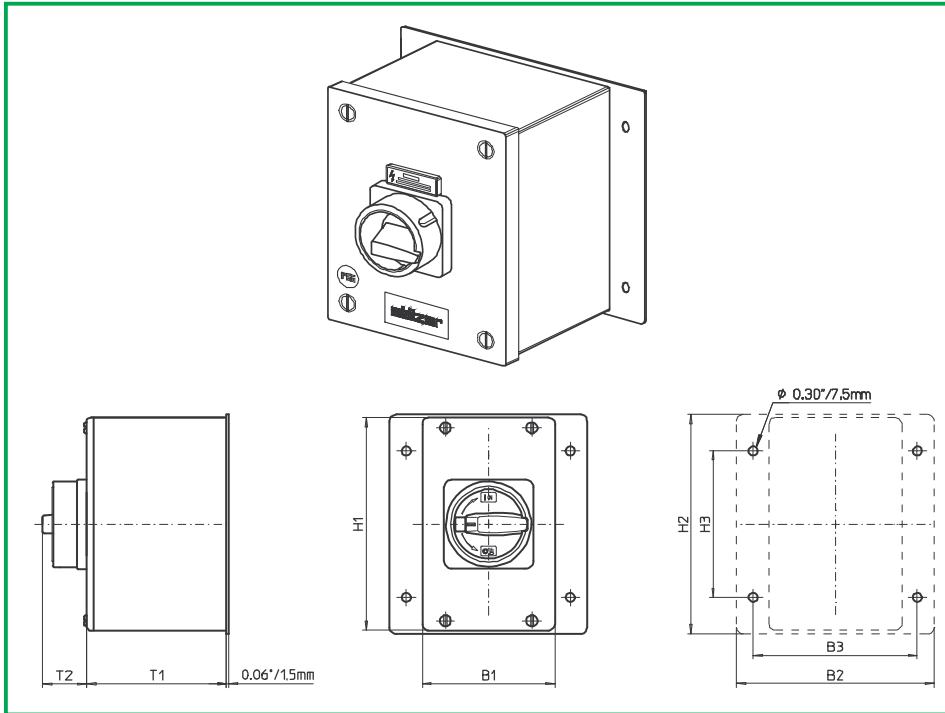
**190M1 (IP66)**

| Complete switch                        | Poles   | Product lines | Rated data (IEC 60947)    |                                |            | Order code number  |
|--|---------|---------------|---------------------------|--------------------------------|------------|--|
|  |         |               | Operational current $I_e$ | Operational power at 380–440 V |            |  |
|  |         |               | AC-21A<br>A               | AC-23A<br>kW                   | AC-3<br>kW |  |
| ON-OFF Switches<br>Switching angle 90° | 3 ... 4 | B200-A        | 50<br>63                  | 18,5<br>22                     | 15<br>18,5 | <b>B250 - 41 ... - 190M1</b><br><b>B263 - 41 ... - 190M1</b> |

| SMD modules for basic switch A02            |  |  |  |        |  |                                |
|---|--|--|--|--------|--|--------------------------------|
| Mounting form module for 190M1              |  |  |  | B200-A |  | <b>BFB2 - E9</b>               |
| Enclosure module, mounting form 190M1       |  |  |  |        |  | <b>SBH2 - 190M1</b>            |
| Legend plate silver, enclosure module 190M1 |  |  |  |        |  | <b>FAS4 - 9...</b> (FA number) |

| Dimensions (mm) |     |     |     |    |     |     |     |     |
|-----------------|-----|-----|-----|----|-----|-----|-----|-----|
| Product lines   | H1  | B1  | T1  | T2 | H2  | H3  | B2  | B3  |
| B200-A          | 160 | 160 | 110 | 39 | 165 | 110 | 210 | 185 |

# Enclosed Switches



**Product line  
B200-A**

**Enclosed switch**

**Stainless steel  
enclosure  
polished**

160 x 160 x 110 mm

With cover interlock  
in OFF position

without N module(s)  
in the enclosure

**192M1 (IP66)**

**192M4 (IP66)**

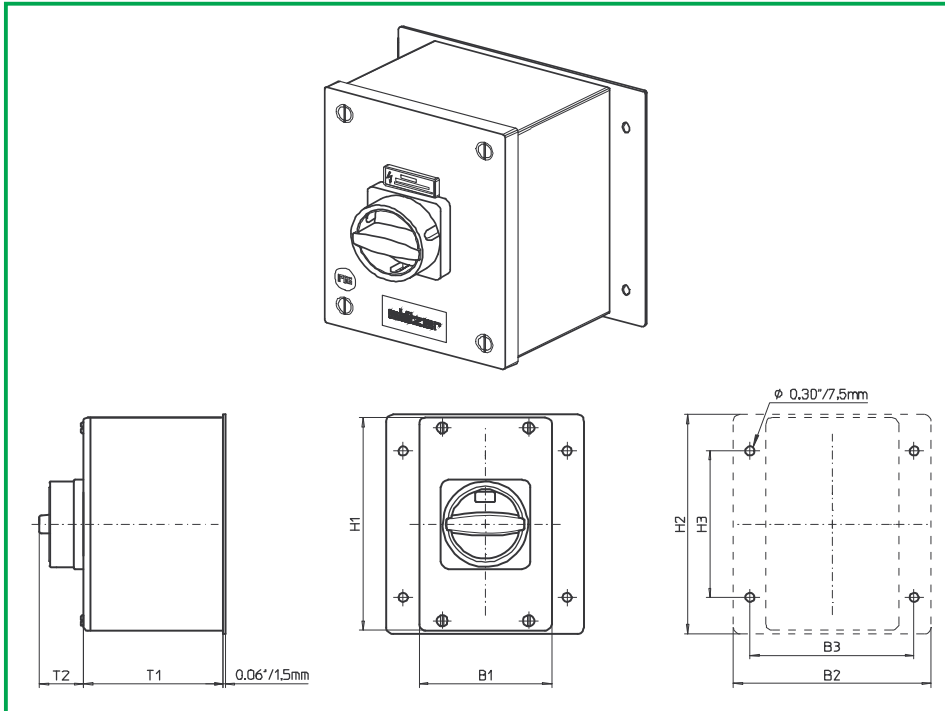
| Complete switch   | Poles   | Product lines | Rated data (IEC 60947)             |                                |            | Order code number  |
|---|---------|---------------|------------------------------------|--------------------------------|------------|--|
|   |         |               | Operational current I <sub>e</sub> | Operational power at 380–440 V |            |  |
|   |         |               | AC-21A<br>A                        | AC-23A<br>kW                   | AC-3<br>kW |  |
| Main Switches<br>OFF position padlockable 09h               | 3 ... 4 | B200-A        | 50<br>63                           | 18,5<br>22                     | 15<br>18,5 | <b>B250 - 41 ... - 192M1</b><br><b>B263 - 41 ... - 192M1</b> |
| Main/Emergency-Off Switches<br>OFF position padlockable 09h | 3 ... 4 | B200-A        | 50<br>63                           | 18,5<br>22                     | 15<br>18,5 | <b>B250 - 41 ... - 192M1</b><br><b>B263 - 41 ... - 192M1</b> |

| SMD modules for basic switch A02      |        |                     |
|---------------------------------------|--------|---------------------|
| Mounting form module for 192M1/ 192M4 | B200-A | <b>BFB2 - E9</b>    |
| Enclosure module, mounting form 192M1 |        | <b>SBH2 - 192M1</b> |
| Enclosure module, mounting form 192M4 |        | <b>SBH2 - 192M4</b> |

| Dimensions (mm) |     |     |     |    |     |     |     |     |
|-----------------|-----|-----|-----|----|-----|-----|-----|-----|
| Product lines   | H1  | B1  | T1  | T2 | H2  | H3  | B2  | B3  |
| B200-A          | 160 | 160 | 110 | 38 | 165 | 110 | 210 | 185 |



# Enclosed Switches



**Product line  
B200-A**

**Enclosed switch**

**Stainless steel  
enclosure  
polished**

160 x 160 x 110 mm

With cover interlock  
in OFF position

without N module(s)  
in the enclosure

**192N1 (IP66)**

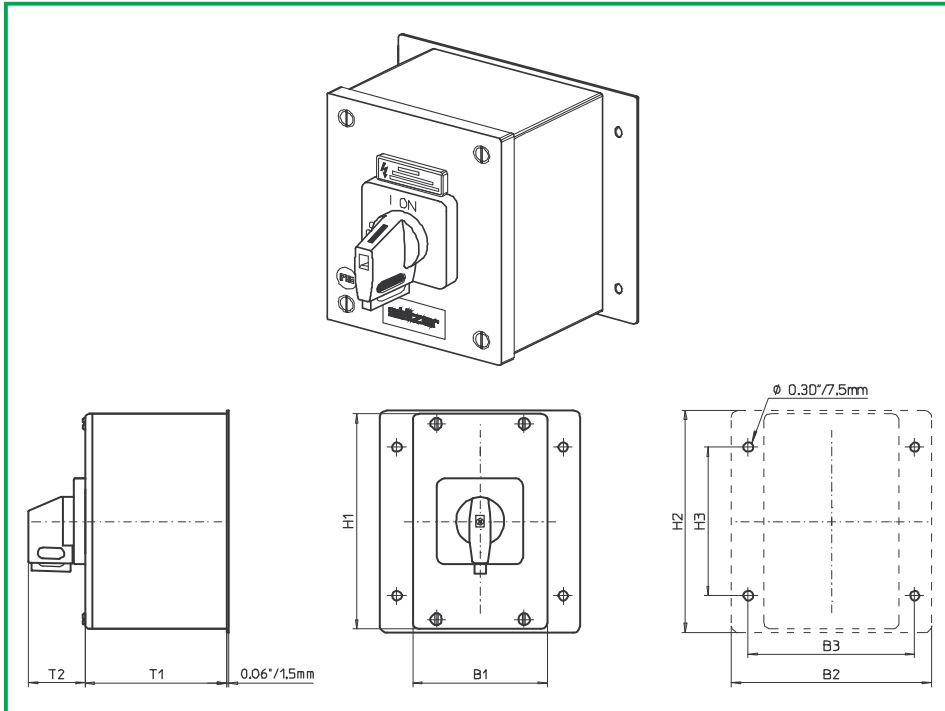
**192N4 (IP66)**

| Complete switch   | Poles   | Product lines | Rated data (IEC 60947)             |                                |            | Order code number  |
|---|---------|---------------|------------------------------------|--------------------------------|------------|--|
|   |         |               | Operational current I <sub>e</sub> | Operational power at 380–440 V |            |  |
|   |         |               | AC-21A<br>A                        | AC-23A<br>kW                   | AC-3<br>kW |  |
| Main Switches<br>OFF position padlockable 09h               | 3 ... 4 | B200-A        | 50<br>63                           | 18,5<br>22                     | 15<br>18,5 | <b>B250 - 41 ... - 192N1</b><br><b>B263 - 41 ... - 192N1</b> |
| Main/Emergency-Off Switches<br>OFF position padlockable 09h | 3 ... 4 | B200-A        | 50<br>63                           | 18,5<br>22                     | 15<br>18,5 | <b>B250 - 41 ... - 192N1</b><br><b>B263 - 41 ... - 192N1</b> |

| SMD modules for basic switch A02      |  |        |                     |
|---------------------------------------|--|--------|---------------------|
| Mounting form module for 192N1/ 192N4 |  | B200-A | <b>BFB2 - E9</b>    |
| Enclosure module, mounting form 192N1 |  |        | <b>SBH2 - 192N1</b> |
| Enclosure module, mounting form 192N4 |  |        | <b>SBH2 - 192N4</b> |

| Dimensions (mm) |     |     |     |    |     |     |     |     |
|-----------------|-----|-----|-----|----|-----|-----|-----|-----|
| Product lines   | H1  | B1  | T1  | T2 | H2  | H3  | B2  | B3  |
| B200-A          | 160 | 160 | 110 | 33 | 165 | 110 | 210 | 185 |

# Enclosed Switches



**Product line  
B200-A**

**Enclosed switch**

**Stainless steel  
enclosure  
polished**

160 x 160 x 110 mm

With cover interlock  
in OFF position

without N module(s)  
in the enclosure

**192V1 (IP66)**

**192V4 (IP66)**

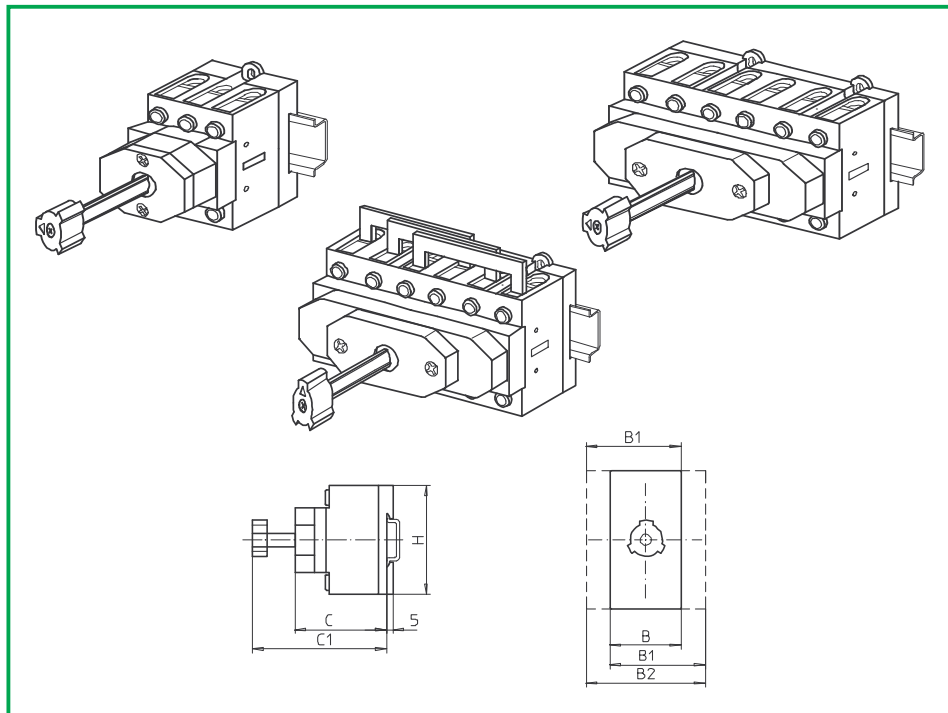
| Complete switch   | Poles   | Product lines | Rated data (IEC 60947)             |                                |            | Order code number  |
|---|---------|---------------|------------------------------------|--------------------------------|------------|--|
|   |         |               | Operational current I <sub>e</sub> | Operational power at 380–440 V |            |  |
|   |         |               | AC-21A<br>A                        | AC-23A<br>kW                   | AC-3<br>kW |  |
| Main Switches<br>OFF position padlockable 09h               | 3 ... 4 | B200-A        | 50<br>63                           | 18,5<br>22                     | 15<br>18,5 | <b>B250 - 41 ... - 192V1</b><br><b>B263 - 41 ... - 192V1</b> |
| Main/Emergency-Off Switches<br>OFF position padlockable 09h | 3 ... 4 | B200-A        | 50<br>63                           | 18,5<br>22                     | 15<br>18,5 | <b>B250 - 41 ... - 192V1</b><br><b>B263 - 41 ... - 192V1</b> |

| SMD modules for basic switch A02            |  |        |                                |
|---|--|--------|--------------------------------|
| Mounting form module for 192V1/ 192V4       |  | B200-A | <b>BFB2 - E9</b>               |
| Enclosure module, mounting form 192V1       |  |        | <b>SBH2 - 192V1</b>            |
| Enclosure module, mounting form 192V4       |  |        | <b>SBH2 - 192V4</b>            |
| Legend plate silver, enclosure module 192V1 |  |        | <b>FAS4 - 9...</b> (FA number) |
| Legend plate yellow, enclosure module 192V4 |  |        | <b>FBS4 - 9...</b> (FA number) |

| Dimensions (mm) |     |     |     |    |     |     |     |     |
|-----------------|-----|-----|-----|----|-----|-----|-----|-----|
| Product lines   | H1  | B1  | T1  | T2 | H2  | H3  | B2  | B3  |
| B200-A          | 160 | 160 | 110 | 39 | 165 | 110 | 210 | 185 |

# Switch Modules

# sälzer



**Product lines**  
B200-A/ -D/ -E

**Switch modules**

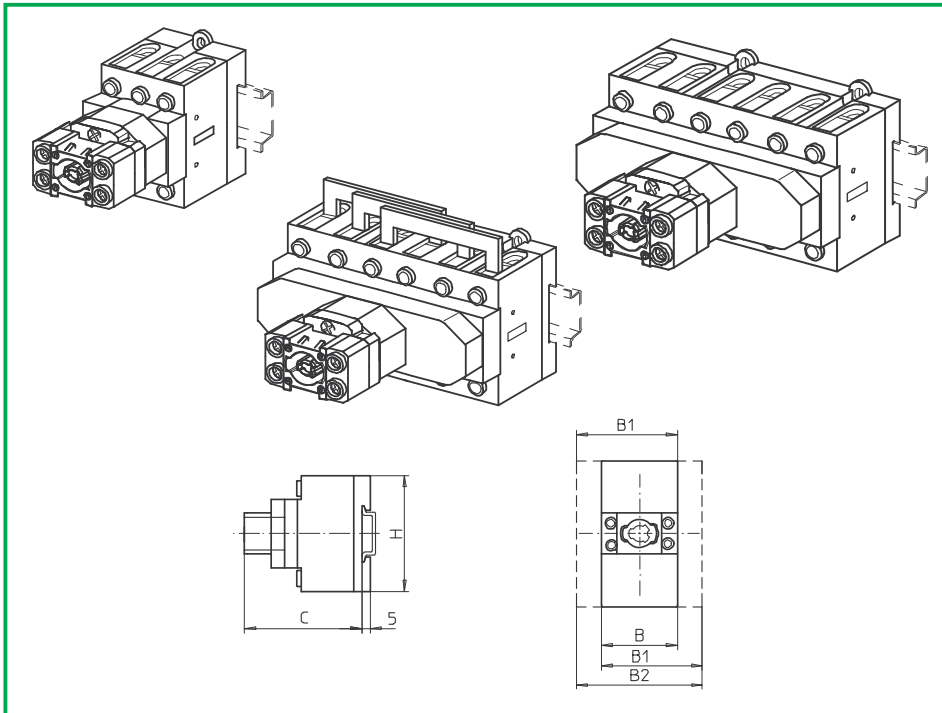
**Base mounting**  
Snap on mounting  
on DIN rail 35mm

**ED (IP20)**

| Available Switching programmes<br><br>(as well with auxiliary/<br>main contact modules) | Poles    | Product lines | Rated data (IEC 60947)                            |   |            | Order code number<br>(Switching programme<br>to be added.) |
|---|----------|---------------|---|---|------------|--|
|   |          |               | Operational current I <sub>e</sub><br>AC-21A<br>A | Operational power<br>at 380–440 V<br>AC-23A<br>kW | AC-3<br>kW |  |
| ON-OFF Switches<br>Switching positions 0-1<br>Switching angle 90°                       | 3 ... 8  | B200-A/-D     | 50  | 18,5  | 15         | <b>B250 - 41 ... - ED</b>                                  |
|   |          |               | 63  | 22  | 18,5       | <b>B263 - 41 ... - ED</b>                                  |
| Changeover with OFF<br>Switching positions 1-0-2<br>Switching angle 90°                 | 3 ... 4  | B200-E        | 50<br>63  | 18,5<br>22  | 15<br>18,5 | <b>B250 - 71 ... - ED</b><br><b>B263 - 71 ... - ED</b>     |
| <b>Dimensions (mm)</b>  |          |               |   |   |            |  |
| <b>Modules</b>  | <b>H</b> | <b>C</b>      | <b>C1</b>   | <b>B</b>  | <b>B1</b>  | <b>B2</b>  |
| B200-A  | 72       | 54            | 81  | 50  | 69         | 88   |
| B200-D/ -E  | 72       | 66            | 81  | 100   | 119        | 138  |

# Switch Modules

# sälzer



**Product lines**  
**B200-A/ -D/ -E**

**Switch modules**  
für mounting forms  
740  
with 2 PE terminals

Anschlussquerschnitte  
bis 16 mm<sup>2</sup>

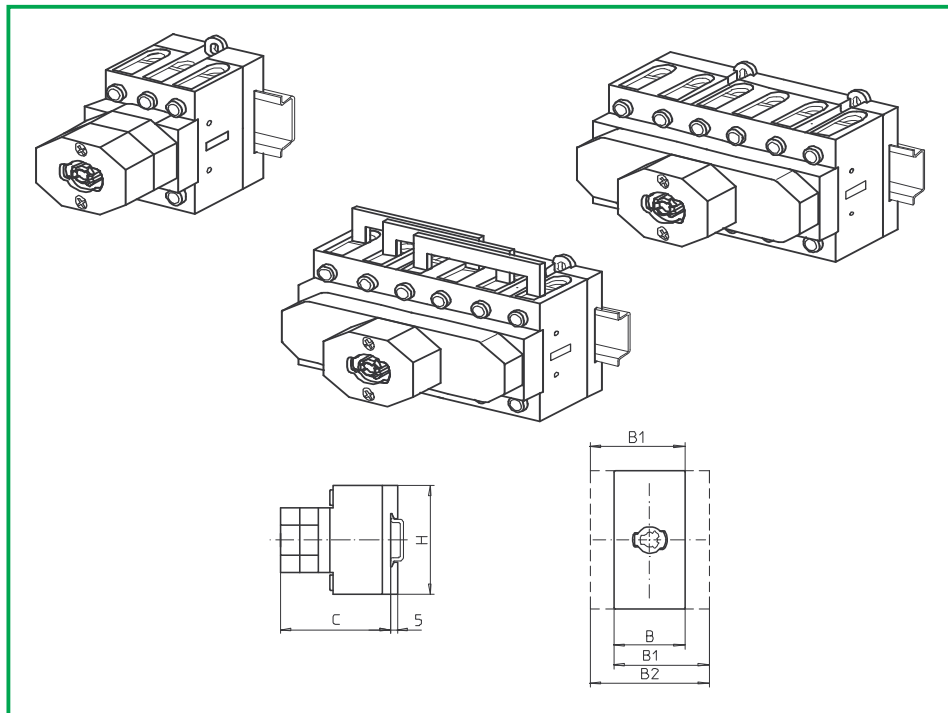
**Base mounting**  
Snap on mounting  
on DIN rail 35mm

**E6 (IP20)**

| Available Switching programmes<br><br>(as well with auxiliary/<br>main contact modules) | Poles    | Product lines | Rated data (IEC 60947)                            |   |            | Order code number<br>(Switching programme<br>to be added.) |
|---|----------|---------------|---|---|------------|--|
|   |          |               | Operational current I <sub>e</sub><br>AC-21A<br>A | Operational power<br>at 380–440 V<br>AC-23A<br>kW      AC-3<br>kW |            |  |
| Ein-/Ausschalter<br>Schaltstellungen 0-1<br>90° Schaltwinkel                            | 3 ... 8  | B200-A/ -D    | 50  | 18,5  | 15         | <b>B250 - 41 ... - E6</b><br><b>B263 - 41 ... - E6</b>     |
|   |          |               | 63  | 22  | 18,5       |  |
| Umschalter mit Nullstellung<br>Schaltstellungen 1-0-2<br>90° Schaltwinkel               | 3 ... 4  | B200-E        | 50<br>63  | 18,5<br>22  | 15<br>18,5 | <b>B250 - 71 ... - E6</b><br><b>B263 - 71 ... - E6</b>     |
| <b>Dimensions (mm)</b>  |          |               |   |   |            |  |
| <b>Module</b>   | <b>H</b> | <b>C</b>      | <b>B</b>  | <b>B1</b>   | <b>B2</b>  |  |
| B200-A  | 72       | 75            | 50  | 69  | 88         |  |
| B200-D/ -E  | 72       | 87            | 100   | 119   | 138        |  |

# Switch Modules

**sälzer**



**Product lines  
B200-A/ -D/ -E**

**Switch modules**  
for mounting forms  
700 / 710 / 720

**Base mounting**  
Snap on mounting  
on DIN rail 35mm

**E7 (IP20)**

| Available Switching programmes<br><br>(as well with auxiliary/<br>main contact modules) | Poles    | Product lines | Rated data (IEC 60947)                            |   |            | Order code number<br><br>(Switching programme<br>to be added.) |
|---|----------|---------------|---|---|------------|--|
|   |          |               | Operational current I <sub>e</sub><br>AC-21A<br>A | Operational power<br>at 380–440 V<br>AC-23A<br>kW      AC-3<br>kW |            |  |
| ON-OFF Switches<br>Switching positions 0-1<br>Switching angle 90°                       | 3 ... 8  | B200-A/ -D    | 50  | 18,5  | 15         | <b>B250 - 41 ... - E7</b><br><b>B263 - 41 ... - E7</b>         |
|   |          |               | 63  | 22  | 18,5       |  |
| Changeover with OFF<br>Switching positions 1-0-2<br>Switching angle 90°                 | 3 ... 4  | B200-E        | 50<br>63  | 18,5<br>22  | 15<br>18,5 | <b>B250 - 71 ... - E7</b><br><b>B263 - 71 ... - E7</b>         |
| <b>Dimensions (mm)</b>  |          |               |   |   |            |  |
| <b>Modules</b>  | <b>H</b> | <b>C</b>      | <b>B</b>  | <b>B1</b>   | <b>B2</b>  |  |
| B200-A  | 72       | 63            | 50  | 69  | 88         |  |
| B200-D/ -E  | 72       | 75            | 100   | 119   | 138        |  |

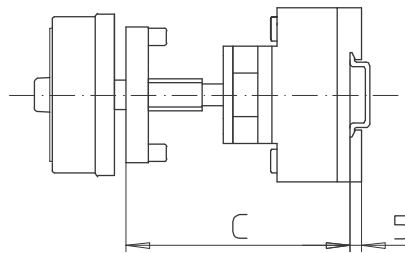
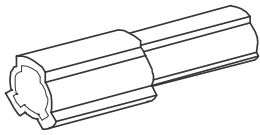


## Section D

|   | Page        |             |
|---|-------------|-------------|
|   | from        | to          |
| <b>Shaft extensions</b>                 | <b>D1-1</b> | <b>D1-4</b> |
| <b>Covers</b>                           | <b>D2-1</b> | <b>D2-1</b> |
| <b>Additional top escutcheon plates</b> | <b>D3-1</b> | <b>D3-2</b> |
| <b>Assembly tool</b>                    | <b>D4-1</b> | <b>D4-1</b> |
| <b>Mounting sets</b>                    | <b>D5-1</b> | <b>D5-2</b> |

---

**Originator: Sälzer Electric GmbH · Product Data Management (PDM) · 09306 Rochlitz (Germany)**  
 Copyright reserved by Sälzer Electric GmbH. This document replaces all previous issues.  
 Valid until a new version is published. Changes and revisions reserved.



**Product lines  
B200-A/ -D/ -E**

**Modular shaft  
extension**

For mounting forms with  
**Base mounting  
switches  
Door clutch**

**Four hole mounting**  
Front

**AVD2**

**Modular shaft extensions for use with door clutch**

Dimension C (internal depth, inside of door to top of DIN rail)

| Dimension | B200-A/          | B200-D/ -E       | No. | Order code number |
|-----------|------------------|------------------|-----|-------------------|
| 0         | 092 . . . 109 mm | 100 . . . 117 mm | -   | -                 |
| 1         | 110 . . . 134 mm | 118 . . . 142 mm | 1   | AVD2              |
| 2         | 135 . . . 159 mm | 143 . . . 167 mm | 2   | AVD2              |
| 3         | 160 . . . 184 mm | 168 . . . 192 mm | 3   | AVD2              |
| 4         | 185 . . . 209 mm | 193 . . . 217 mm | 4   | AVD2              |

**Product lines B200**

AVD2 is suitable to extend the shaft:

231M1/ 231M4

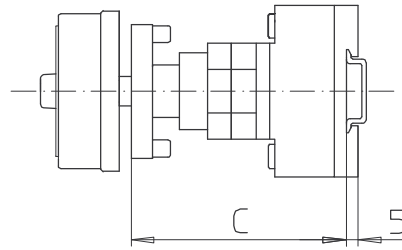
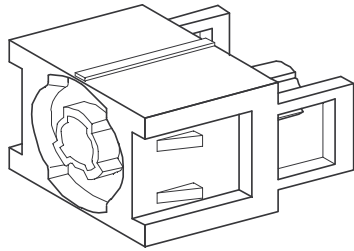
232M1/ 232M4  
232N1/ 232N4  
232V1/ 232V4

237M1/ 237M4  
237N1/ 237N4  
237V1/ 237V4

241M1

247M1

246V1/ 247V1



**Product lines  
B200-A/ -D/ -E**

**Modular shaft  
extension**

For mounting forms with  
**Base mounting  
switches  
Door interlock**

**Four hole mounting**  
Front

**AVC2 - .**

**Modular shaft extensions for use with door interlock**

Dimension C (internal depth, inside of door to top of DIN rail)

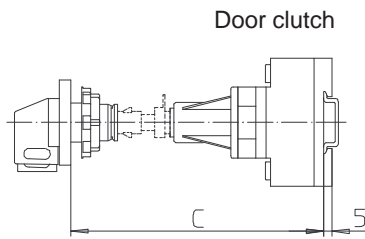
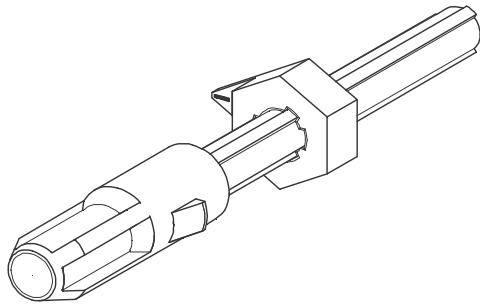
| Dimension | B200-A           | B200-D/ -E       | No. | Order code number |
|-----------|------------------|------------------|-----|-------------------|
| 0         | 092 . . . 107 mm | 100 . . . 115 mm | -   | -                 |
| 1         | 114 . . . 132 mm | 122 . . . 140 mm | 1   | AVC2 - 1          |
| 2         | 139 . . . 157 mm | 147 . . . 165 mm | 1   | AVC2 - 2          |
| 3         | 164 . . . 182 mm | 172 . . . 190 mm | 1   | AVC2 - 3          |
| 4         | 189 . . . 207 mm | 197 . . . 215 mm | 1   | AVC2 - 4          |

**Product lines B200**

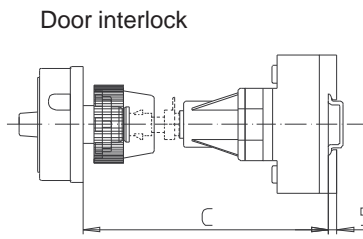
AVC2-. is suitable to extend the shaft:

| without N/PE<br>connection links             | with N/PE<br>connection links                |
|--|--|
| 234M1/ 234M4<br>234N1/ 234N4<br>234V1/ 234V4 | 534M1/ 534M4<br>534N1/ 534N4<br>534V1/ 534V4 |
| 235M1/ 235M4                                 | 535M1/ 535M4                                 |
| 238M1/ 238M4<br>238N1/ 238N4<br>238V1/ 238V4 | 538M1/ 538M4<br>538N1/ 538N4<br>538V1/ 538V4 |
| 242M1  | 542M1  |
| 248M1  | 548M1  |
| 248V1/ 249V1                                 | 548V1/ 549V1                                 |





Door clutch



Door interlock

**Product lines**  
B200-A/ -D/ -E

**Metal shaft extension**

For mounting forms with  
**Base mounting**  
**switches**  
**Door clutch or**  
**Door interlock**

**Single hole mounting**  
ø 22,5 mm front

**AVA8 - . . .**

**Metal shaft extension for mounting forms with door clutch or door interlock and single hole mounting ø 22,5 mm front**

Dimension C (internal depth, outside of door to top of DIN rail)

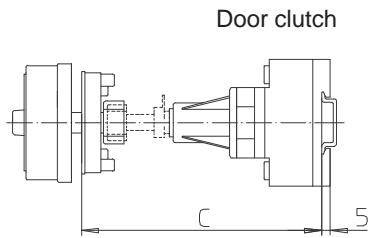
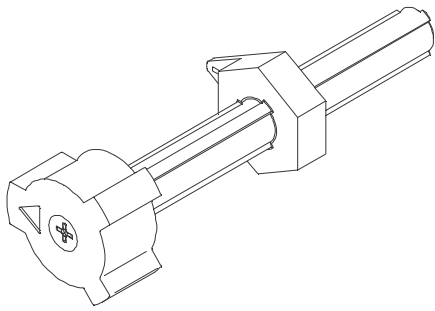
| B200-A           | B200-D/ -E       | Order code number |
|------------------|------------------|-------------------|
| 155 . . . 173 mm | 167 . . . 185 mm | AVA8 - 065        |
| 174 . . . 198 mm | 186 . . . 210 mm | AVA8 - 090        |
| 199 . . . 223 mm | 211 . . . 235 mm | AVA8 - 115        |
| 224 . . . 248 mm | 236 . . . 260 mm | AVA8 - 140        |
| 249 . . . 273 mm | 261 . . . 285 mm | AVA8 - 165        |
| 274 . . . 298 mm | 286 . . . 310 mm | AVA8 - 190        |
| 299 . . . 323 mm | 311 . . . 335 mm | AVA8 - 215        |
| 324 . . . 348 mm | 336 . . . 360 mm | AVA8 - 240        |
| 349 . . . 373 mm | 361 . . . 385 mm | AVA8 - 265        |
| 374 . . . 398 mm | 386 . . . 419 mm | AVA8 - 290        |
| 399 . . . 423 mm | 411 . . . 435 mm | AVA8 - 315        |
| 424 . . . 448 mm | 436 . . . 460 mm | AVA8 - 340        |
| 449 . . . 473 mm | 461 . . . 485 mm | AVA8 - 365        |
| 474 . . . 498 mm | 486 . . . 510 mm | AVA8 - 390        |
| 499 . . . 523 mm | 511 . . . 535 mm | AVA8 - 415        |
| 524 . . . 548 mm | 536 . . . 560 mm | AVA8 - 440        |
| 549 . . . 573 mm | 561 . . . 585 mm | AVA8 - 465        |
| 574 . . . 598 mm | 586 . . . 610 mm | AVA8 - 490        |
| 599 . . . 623 mm | 611 . . . 635 mm | AVA8 - 515        |
| 624 . . . 643 mm | 636 . . . 660 mm | AVA8 - 540        |

**Product lines B200**

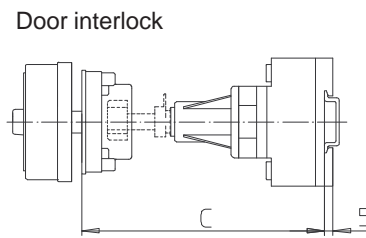
AVA8-... is suitable to extend the shaft:

- Door clutch
- 280M1/ 280M4
  - 280N1/ 280N4
  - 280V1/ 280V4
  - 282M1
  - 284M1
  - 284V1/ 290V1
  - 286M1/ 286M4
  - 288V1/ 288V4

- Door interlock
- 281M1/ 281M4
  - 281N1/ 281N4
  - 281V1/ 281V4
  - 283M1
  - 285M1
  - 285V1/ 291V1
  - 287M1/ 287M4
  - 289V1/ 28V4



Door clutch



Door interlock

**Product lines**  
**B200-A/ -D/ -E**

**Metal shaft extension**

For mounting forms with  
**Base mounting**  
**switches**  
**Door clutch** or  
**Door interlock**

**Four hole mounting**  
Front

**AVB8 - . . .**

**Metal shaft extension for mounting forms with door clutch or door interlock and four hole mounting**

Dimension C (internal depth, inside of door to top of DIN rail)

| B200-A           | B200-D/ -E       | Order code number |
|------------------|------------------|-------------------|
| 140 . . . 164 mm | 152 . . . 176 mm | AVB8 - 065        |
| 165 . . . 189 mm | 177 . . . 201 mm | AVB8 - 090        |
| 190 . . . 214 mm | 202 . . . 226 mm | AVB8 - 115        |
| 215 . . . 239 mm | 227 . . . 251 mm | AVB8 - 140        |
| 240 . . . 264 mm | 252 . . . 276 mm | AVB8 - 165        |
| 265 . . . 289 mm | 277 . . . 301 mm | AVB8 - 190        |
| 290 . . . 314 mm | 302 . . . 326 mm | AVB8 - 215        |
| 315 . . . 339 mm | 327 . . . 351 mm | AVB8 - 240        |
| 340 . . . 364 mm | 352 . . . 376 mm | AVB8 - 265        |
| 365 . . . 389 mm | 377 . . . 401 mm | AVB8 - 290        |
| 390 . . . 414 mm | 402 . . . 426 mm | AVB8 - 315        |
| 415 . . . 439 mm | 427 . . . 451 mm | AVB8 - 340        |
| 440 . . . 464 mm | 452 . . . 476 mm | AVB8 - 365        |
| 465 . . . 489 mm | 477 . . . 501 mm | AVB8 - 390        |
| 490 . . . 514 mm | 502 . . . 526 mm | AVB8 - 415        |
| 515 . . . 539 mm | 527 . . . 551 mm | AVB8 - 440        |
| 540 . . . 564 mm | 552 . . . 576 mm | AVB8 - 465        |
| 565 . . . 589 mm | 577 . . . 601 mm | AVB8 - 490        |
| 590 . . . 614 mm | 602 . . . 626 mm | AVB8 - 515        |
| 615 . . . 639 mm | 627 . . . 651 mm | AVB8 - 540        |

**Product lines B200**

AVB8-... is suitable to extend the shaft:

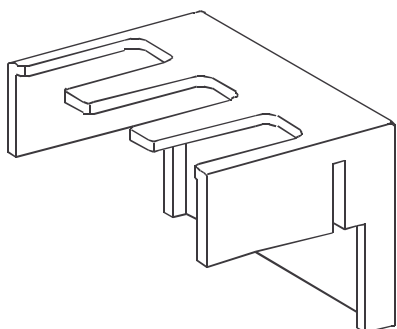
Door clutch

- 431M1/ 431M4
- 441M1
- 442N1
- 446V1/ 447V1
- 432M1/ 432M4
- 432N1/ 432N4
- 432V1/ 432V4
- 437M1/ 437M4
- 437N1/ 437N4
- 437V1/ 437V4

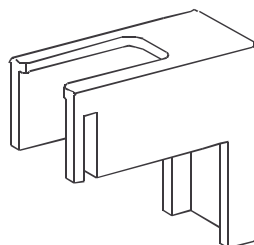
Door interlock

- 435M1/ 435M4
- 481M1
- 482N1
- 449V1/ 482V1
- 483M1/ 483M4
- 483N1/ 483N4
- 483V1/ 483V4
- 484M1/ 484M4
- 484N1/ 484N4
- 484V1/ 484V4

# Accessories



TCC2



TCD2

**Product lines**  
B200-A/ -D/ -E

**Terminal covers**

for ON-OFF Switches

**Front or base mounting**

**TCC2 / TCD2**

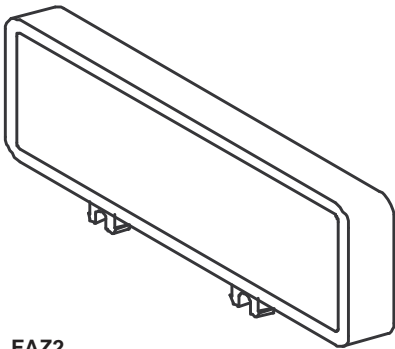
**Terminal covers**  
for terminal capacities with max. 16 mm<sup>2</sup>

**Order code number**

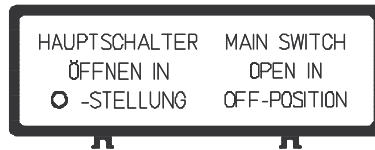
Product line B200-A/ -D  
Main/Emergency-Off Switches

| Switching programmes<br>from . . . up to . . . |       | TCC2<br>number | TCD2<br>number | Total<br>number | Terminal cover |        |
|--|-------|----------------|----------------|-----------------|----------------|--------|
|  |       |                |                |                 | 3 pole         | 1 pole |
| 41300  | 41340 | 1              | 0              | 1               | TCC2           | -      |
| 41400  | 41420 | 1              | 1              | 2               | TCC2           | TCD2   |
| 41600  | 41640 | 2              | 0              | 2               | TCC2           | -      |
| 41800  | -     | 2              | 2              | 4               | TCC2           | TCD2   |
| 45300  | 47300 | 1              | 0              | 1               | TCC2           | -      |
| 47400  | -     | 1              | 1              | 2               | TCC2           | TCD2   |

# Accessories



**FAZ2**  
Escutcheon frame plate black  
(without legend plate)



**FAZ2 - 8041**

**Product lines**  
**B200-A/ -D/ -E**

**Additional top**  
**escutcheon plates**

to put on escutcheons  
and padlock devices  
(also in connection with  
enclosures)

**FAZ2 - . . . .**

**Additional top escutcheon plates**

with additional inscription to be clipped on the escutcheon an padlock devices

- Escutcheon frame plate black, legend plate silver, without inscription (can be engraved)
- Escutcheon frame plate black, legend plate silver, inscription FA 8...\*
- Escutcheon frame plate black, legend plate silver, special engraving
- Escutcheon frame plate black, legend plate yellow, without inscription (can be engraved)
- Escutcheon frame plate black, legend plate yellow, inscription FA 8...\*
- Escutcheon frame plate black, legend plate yellow, special engraving
- Escutcheon frame plate black (without legend plate)

- FAZ2 - 8000**
- FAZ2 - 8 . . .**
- FAZ2 -** (special no.)
- FBZ2 - 8000**
- FBZ2 - 8 . . .**
- FBZ2 -** (special no.)
- FAZ2**

**Legend plates**

- Legend plate silver without inscription (can be engraved)
- Legend plate silver, inscription FA 8...\*
- Legend plate silver, special engraving
- Legend plate yellow without inscription (can be engraved)
- Legend plate yellow, inscription FA 8...\*
- Legend plate yellow, special engraving

- FAS2 - 8000**
- FAS2 - 8 . . .**
- FAS2 -** (special no.)
- FBS2 - 8000**
- FBS2 - 8 . . .**
- FBS2 -** (special no.)

\* inscription FA 8... see next page

HAUPTSCHALTER MAIN SWITCH  
 ÖFFNEN IN OPEN IN  
 O-STELLUNG OFF-POSITION

Example: Legend plate silver **FAS2 - 8041**  
 for top escutcheon plate FAZ2-8041

**Product lines**  
**B200-A/ -D/ -E**

**Legend plates**  
 for additional top  
 escutcheon plates

**FAS2 - 8 . . .**  
**FBS2 - 8 . . .**

### Legend plates for additional top escutcheon plates

legend plate silver without inscription (can be engraved)  
 legend plate silver, inscription FA 8...  
 legend plate silver, special engraving

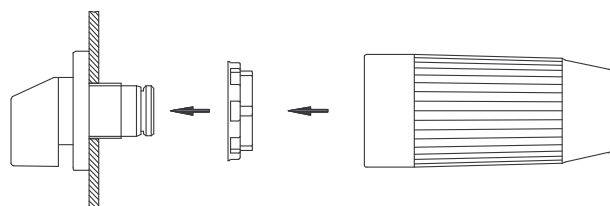
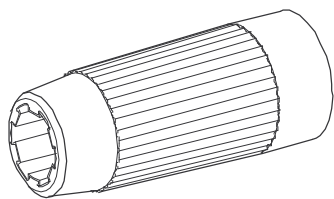
legend plate yellow without inscription (can be engraved)  
 legend plate yellow, inscription FA 8...  
 legend plate yellow, special engraving

**FAS2 - 8000**  
**FAS2 - 8 . . .**  
**FAS2 - (special no.)**

**FBS2 - 8000**  
**FBS2 - 8 . . .**  
**FBS2 - (special no.)**

### Legend plates, inscription FA 8...

|         |         |         |         |         |         |
|---------|---------|---------|---------|---------|---------|
|         |         |         |         |         |         |
| FA 8000 | FA 8001 | FA 8002 | FA 8003 | FA 8004 | FA 8005 |
|         |         |         |         |         |         |
| FA 8006 | FA 8007 | FA 8008 | FA 8009 | FA 8010 | FA 8011 |
|         |         |         |         |         |         |
| FA 8012 | FA 8013 | FA 8014 | FA 8015 | FA 8016 | FA 8017 |
|         |         |         |         |         |         |
| FA 8018 | FA 8019 | FA 8021 | FA 8023 | FA 8024 | FA 8025 |
|         |         |         |         |         |         |
| FA 8026 | FA 8027 | FA 8028 | FA 8029 | FA 8030 | FA 8031 |
|         |         |         |         |         |         |
| FA 8032 | FA 8033 | FA 8034 | FA 8035 | FA 8036 | FA 8037 |
|         |         |         |         |         |         |
| FA 8038 | FA 8039 | FA 8040 | FA 8041 | FA 8042 | FA 8044 |
|         |         |         |         |         |         |
| FA 8045 | FA 8046 |         |         |         |         |



**Product lines**  
B200-A/ -D/ -E

**Assembly tool**

For switches with  
**single hole mounting**  
ø 22,5 mm and ø 30,5 mm

**218098**

### Assembly tool

Suitable for a **fast assembly of the single hole mounting** together with escutcheon/padlock device resp. door clutch/door interlock on mounting forms:

204M1, 204V4  
205M1, 205M4  
206M1, 206M4

206N1, 206N4  
206V1, 206V4  
208M1  
209M1

213V1  
214M1, 214V1  
215V1, 215V4  
215M1, 215M4

216M1, 216M4  
216N1, 216N4  
216V1, 216V4  
218M1

219M1  
226V1, 226V4

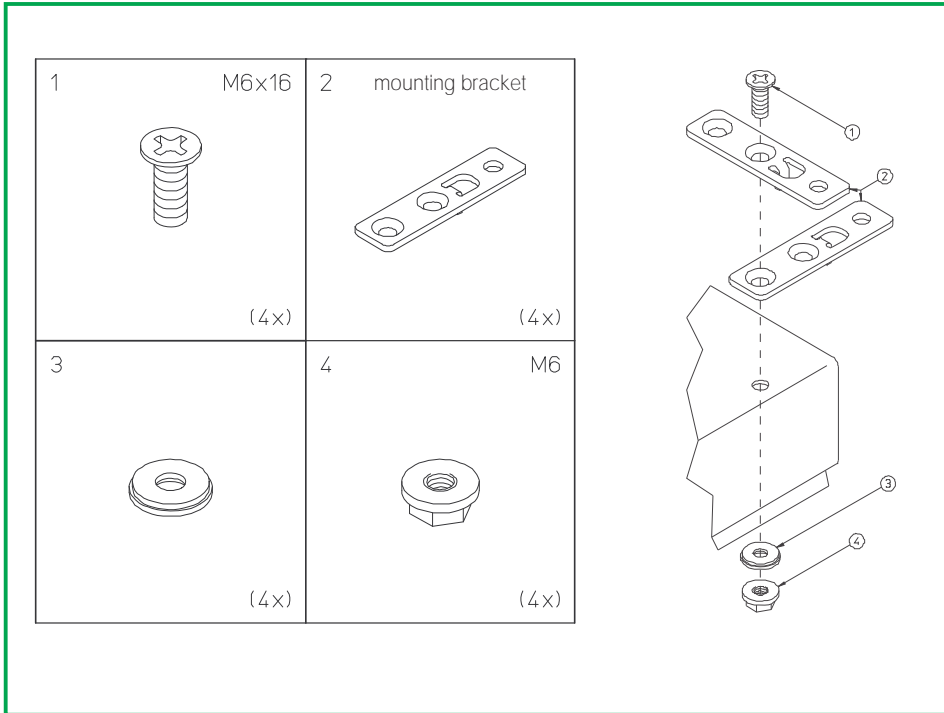
280M1, 280M4  
280N1, 280N4  
280V1, 280V4  
281M1, 281M4

281N1, 281N4  
281V1, 281V4  
282M1  
283M1

285M1, 285V1  
284M1, 284V1  
286M1, 286M4  
287M1, 287M4

288V1, 288V4  
289V1, 289V4  
290V1  
291V1

# Accessories



**Product lines  
B200-A/ -E/ -D**

**Mounting plate**

**1 set per  
mild steel enclosure**

**Size of enclosure  
200 x 150 x 120 mm  
300 x 250 x 150 mm**

**SAX1**

**Mounting plate – 1 Set –**

Suitable for **mounting the mild steel enclosure on walls etc.** for mounting forms:

**200x150x120mm**

086M1,  
087M1, 087M4  
087N1, 087N4  
087V1, 087V4

**without N module  
in the enclosure**

586M1,  
587M1, 587M4  
587N1, 587N4  
587V1, 587V4,

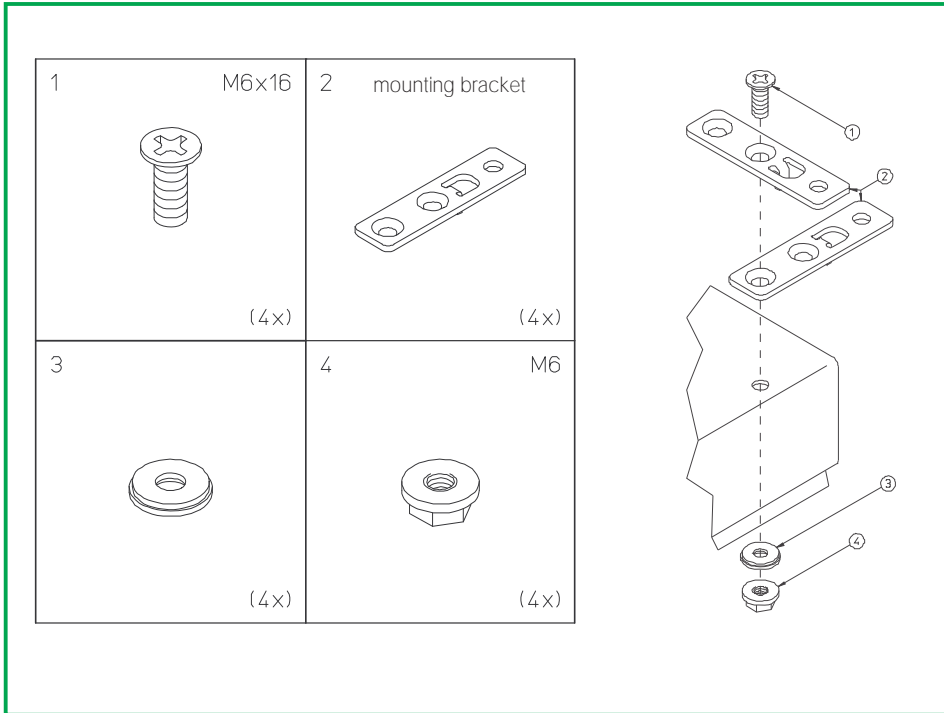
**300x250x150mm**

186M1, 186V1  
187M1, 187M4  
197N1, 187N4  
187V1, 187V4  
188M1, 188V1

**without N module  
in the enclosure**

686M1, 686V1  
687M1, 687M4  
687N1, 687N4  
687V1, 687V4  
688M1, 688V1

# Accessories



**Product lines  
B200-A/ -E/-D**

**Mounting plate**

**1 set per  
stainless steel  
enclosure**

Size of enclosure  
200 x 150 x 120 mm  
300 x 250 x 150 mm

**SBX1**

**Mounting plate – 1 Set –**

Suitable for **mounting the stainless steel enclosure on walls etc.** for mounting forms:

**200x150x120mm**

096M1,  
097M1, 097M4  
097N1, 097N4  
097V1, 097V4

**without N module  
in the enclosure**

596M1,  
597M1, 597M4  
597N1, 597N4  
597V1, 597V4,

**300x250x150mm**

196M1, 196V1  
197M1, 197M4  
197N1, 197N4  
197V1, 197V4  
198M1, 198V1

**without N module  
in the enclosure**

696M1, 696V1  
697M1, 697M4  
697N1, 697N4  
697V1, 697V4  
698M1, 698V1





### Faster deliveries through SMD

In order to ensure even greater flexibility for worldwide supply availability within 24h, Sälzer Electric has introduced the SMD (Sälzer Modular Design) system.

SMD modules are individually prefabricated and tested all-in-one modules which SMD Service holds in stock in sufficient quantities. From basic switch modules, mounting form modules and operator modules, SMD Service can assemble a complete switch requested by the customer and pack it ready for delivery in just a few actions.

– **back** –