

PSEN cs Cable M12 8p

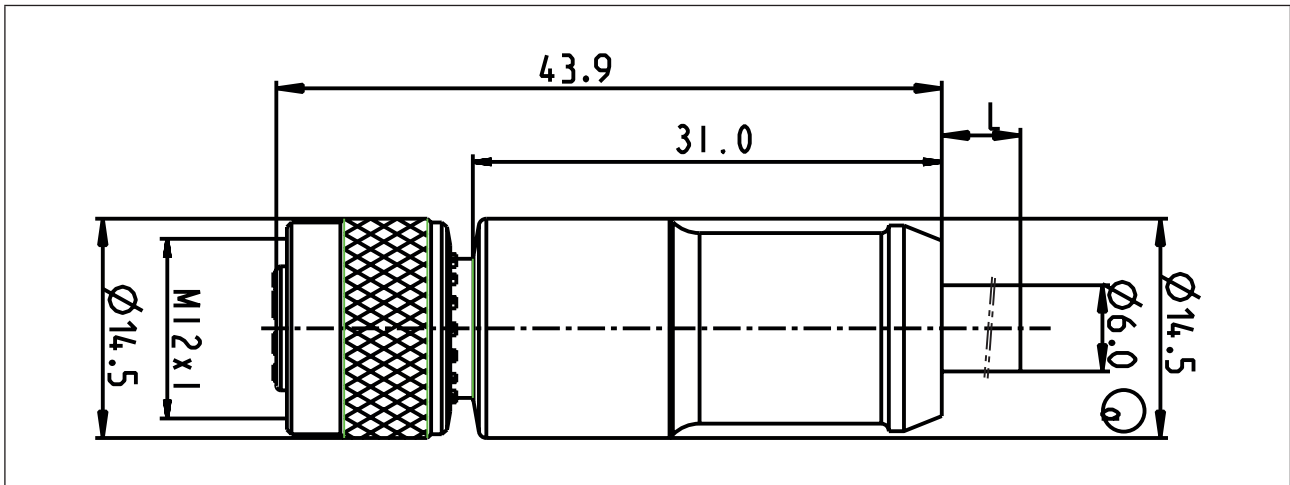
Connector pin assignment

Colour coding	
1	white
2	brown
3	green
4	yellow
5	grey
6	pink
7	blue
8	red

Plan view plug-in connector X1

Dimensions

- ▶ M12 female connector, straight:



PSEN cs Cable M12 8p

Technical details

Order no. 540319 – 540323

See below for more order numbers

Electrical data	540319	540320	540321	540322	540323
Rated voltage UB	30 V	30 V	30 V	30 V	30 V
Conductor resistance	79 Ohm/km	79 Ohm/km	79 Ohm/km	79 Ohm/km	79 Ohm/km
Insulation resistance	100 MOhm	100 MOhm	100 MOhm	100 MOhm	100 MOhm
Test voltage	3.000 V	3.000 V	3.000 V	3.000 V	3.000 V
Specific cable capacitance	64,6pF/m	64,6pF/m	64,6pF/m	64,6pF/m	64,6pF/m
Volume resistance	3 mOhm	3 mOhm	3 mOhm	3 mOhm	3 mOhm
Specific volume resistance	$\geq 7E+15$ Ohm*cm	$\geq 7E+15$ Ohm*cm	$\geq 7E+15$ Ohm*cm	$\geq 7E+15$ Ohm*cm	$\geq 7E+15$ Ohm*cm
Rated current	2,0 A	2,0 A	2,0 A	2,0 A	2,0 A
Environmental data	540319	540320	540321	540322	540323
Ambient temperature					
Temperature range	-25 - 80 °C	-25 - 80 °C	-25 - 80 °C	-25 - 80 °C	-25 - 80 °C
Airgap creepage					
Overvoltage category	II	II	II	II	II
Pollution degree	3	3	3	3	3
Protection type					
X1 when inserted	IP68	IP68	IP68	IP68	IP68
Housing	IP68	IP68	IP68	IP68	IP68
Mechanical data	540319	540320	540321	540322	540323
Plug connector X1	M12, 8-pin female connector	M12, 8-pin female connector	M12, 8-pin female connector	M12, 8-pin female connector	M12, 8-pin female connector
In accordance with the standard	EN 61076-2-101	EN 61076-2-101	EN 61076-2-101	EN 61076-2-101	EN 61076-2-101
Form, plug connector X1	Straight	Straight	Straight	Angled	Angled
Material of ring nut X1	CuZn nickel-plated	CuZn nickel-plated	CuZn nickel-plated	CuZn nickel-plated	CuZn nickel-plated
Housing material X1	PUR	PUR	PUR	PUR	PUR

PSEN cs Cable M12 8p

Mechanical data	540319	540320	540321	540322	540323
Material of contact surface	Au	Au	Au	Au	Au
Socket material	CuSn	CuSn	CuSn	CuSn	CuSn
Conductor material	Cu	Cu	Cu	Cu	Cu
Insulating cover for conductor	PP (9Y)	PP (9Y)	PP (9Y)	PP (9Y)	PP (9Y)
Mating cycles X1	100	100	100	100	100
Cable type	LiF9Y11Y	LiF9Y11Y	LiF9Y11Y	LiF9Y11Y	LiF9Y11Y
Cable length L	3,00 m	5,00 m	10,00 m	3,00 m	5,00 m
Colour of external cable insulation	Yellow, similar to RAL1003	Yellow, similar to RAL1003	Yellow, similar to RAL1003	Yellow, similar to RAL1003	Yellow, similar to RAL1003
Min. bending radius (for laying)	5 x Ø	5 x Ø	5 x Ø	5 x Ø	5 x Ø
Min. bending radius (for constant movement)	10 x Ø	10 x Ø	10 x Ø	10 x Ø	10 x Ø
Cable insulation material	PUR, TPU / TPE-U	PUR, TPU / TPE-U	PUR, TPU / TPE-U	PUR, TPU / TPE-U	PUR, TPU / TPE-U
Suitable for drag chains	No	No	No	No	No
Cable diameter	6,00 mm	6,00 mm	6,00 mm	6,00 mm	6,00 mm
Cable cross section	0,25 mm²	0,25 mm²	0,25 mm²	0,25 mm²	0,25 mm²
Cable cross section AWG	24	24	24	24	24
Wire colour	White, brown, green, yellow, green, pink, blue, red	White, brown, green, yellow, green, pink, blue, red	White, brown, green, yellow, green, pink, blue, red	White, brown, green, yellow, green, pink, blue, red	White, brown, green, yellow, green, pink, blue, red
Stranding	8 cores around plastic fillers	8 cores around plastic fillers	8 cores around plastic fillers	8 cores around plastic fillers	8 cores around plastic fillers
Shielding	No	No	No	No	No
Wire layer separation	No	No	No	No	No
No. of wires	8	8	8	8	8
Cable approval	UL AWM-Style 20233, UL/CSA	UL AWM-Style 20233, UL/CSA	UL AWM-Style 20233, UL/CSA	UL AWM-Style 20233, UL/CSA	UL AWM-Style 20233, UL/CSA
Approval for plug connector X1	UL94 V-0	UL94 V-0	UL94 V-0	UL94 V-0	UL94 V-0
Material					
Housing	PUR	PUR	PUR	PUR	PUR
Weight	178 g	479 g	553 g	156 g	251 g

PSEN cs Cable M12 8p

Order no. 540324 – 540333

General	540324	540325	540326	540333
Approvals	KEINE	KEINE	KEINE	KEINE
Electrical data	540324	540325	540326	540333
Rated voltage UB	30 V	30 V	30 V	30 V
Conductor resistance	79 Ohm/km	79 Ohm/km	79 Ohm/km	79 Ohm/km
Insulation resistance	100 MOhm	100 MOhm	100 MOhm	100 MOhm
Test voltage	3.000 V	3.000 V	3.000 V	3.000 V
Specific cable capacitance	64,6pF/m	64,6pF/m	64,6pF/m	64,6pF/m
Volume resistance	3 mOhm	3 mOhm	3 mOhm	3 mOhm
Specific volume resistance	$\geq 7E+15$ Ohm*cm	$\geq 7E+15$ Ohm*cm	$\geq 7E+15$ Ohm*cm	$\geq 7E+15$ Ohm*cm
Rated current	2,0 A	2,0 A	2,0 A	2,0 A
Environmental data	540324	540325	540326	540333
Ambient temperature				
Temperature range	-25 - 80 °C	-25 - 80 °C	-25 - 80 °C	-25 - 80 °C
Airgap creepage				
Overvoltage category	II	II	II	II
Pollution degree	3	3	3	3
Protection type				
X1 when inserted	IP68	IP68	IP68	IP68
Housing	IP68	IP68	IP68	IP68
Mechanical data	540324	540325	540326	540333
Plug connector X1	M12, 8-pin female connector	M12, 8-pin female connector	M12, 8-pin female connector	M12, 8-pin female connector
In accordance with the standard	EN 61076-2-101	EN 61076-2-101	EN 61076-2-101	EN 61076-2-101
Form, plug connector X1	Angled	Angled	Straight	Straight
Material of ring nut X1	CuZn nickel-plated	CuZn nickel-plated	CuZn nickel-plated	CuZn nickel-plated
Housing material X1	PUR	PUR	PUR	PUR
Material of contact surface	Au	Au	Au	Au
Socket material	CuSn	CuSn	CuSn	CuSn
Conductor material	Cu	Cu	Cu	Cu
Insulating cover for conductor	PP (9Y)	PP (9Y)	PP (9Y)	PP (9Y)
Mating cycles X1	100	100	100	100
Cable type	LiF9Y11Y	LiF9Y11Y	LiF9Y11Y	LiF9Y11Y
Cable length L	10,00 m	30,00 m	30,00 m	20,00 m

PSEN cs Cable M12 8p

Mechanical data	540324	540325	540326	540333
Colour of external cable insulation	Yellow, similar to RAL1003	Yellow, similar to RAL1003	Yellow, similar to RAL1003	Yellow, similar to RAL1003
Min. bending radius (for laying)	5 x Ø	5 x Ø	5 x Ø	5 x Ø
Min. bending radius (for constant movement)	10 x Ø	10 x Ø	10 x Ø	10 x Ø
Cable insulation material	PUR, TPU / TPE-U	PUR, TPU / TPE-U	PUR, TPU / TPE-U	PUR, TPU / TPE-U
Suitable for drag chains	No	No	No	No
Cable diameter	6,00 mm	6,00 mm	6,00 mm	6,00 mm
Cable cross section	0,25 mm²	0,25 mm²	0,25 mm²	0,25 mm²
Cable cross section AWG	24	24	24	24
Wire colour	White, brown, green, yellow, green, pink, blue, red	White, brown, green, yellow, green, pink, blue, red	White, brown, green, yellow, green, pink, blue, red	White, brown, green, yellow, green, pink, blue, red
Stranding	8 cores around plastic fillers	8 cores around plastic fillers	8 cores around plastic fillers	8 cores around plastic fillers
Shielding	No	No	No	No
Wire layer separation	No	No	No	No
No. of wires	8	8	8	8
Cable approval	UL AWM-Style 20233, UL/CSA	UL AWM-Style 20233, UL/CSA	UL AWM-Style 20233, UL/CSA	UL AWM-Style 20233, UL/CSA
Approval for plug connector X1	UL94 V-0	UL94 V-0	UL94 V-0	UL94 V-0
Material				
Housing	PUR	PUR	PUR	PUR
Weight	483 g	1.621 g	1.631 g	1.119 g

PSEN cs Cable M12 8p

Order reference

Order reference				
Product type	Features	Connector X1	Connector X2	Order no.
PSEN cable axial M12 8-pole 3m	3 m	M12 female connector, straight		540 319
PSEN cable axial M12 8-pole 5m	5 m	M12 female connector, straight		540 320
PSEN cable axial M12 8-pole 10m	10 m	M12 female connector, straight		540 321
PSEN cable angle M12 8-pole 3m	3 m	M12 female connector, angled		540 322
PSEN cable angle M12 8-pole 5m	5 m	M12 female connector, angled		540 323
PSEN cable angle M12 8-pole 10m	10 m	M12 female connector, angled		540 324
PSEN cable angle M12 8-pole 30m	30 m	M12 female connector, angled		540 325
PSEN cable axial M12 8-pole 30m	30 m	M12 female connector, straight		540 326
PSEN cable M12-8sf, 20m	20 m	M12 female connector, straight		540 333