

PCB connector - ZEC 1,0/ 2-LPV-3,5 C1 - 1915657

Please be informed that the data shown in this PDF Document is generated from our Online Catalog. Please find the complete data in the user's documentation. Our General Terms of Use for Downloads are valid (<http://download.phoenixcontact.com>)



Printed circuit board connector, Nominal current: 8 A, Rated voltage (III/2): 200 V, Number of positions: 2, Pitch: 3.5 mm, Color: green, Contact surface: Tin, Assembly: PCB connector

The figure shows a 10-position version of the product

Product Features

- Larger numbers of positions available on request
- Chamfer in the plug-in area has a positive effect on insertion and withdrawal forces/cycles
- Contact made directly on a 1.6 mm thick PCB without additional pin strips

Key commercial data

package_quantity	50
GTIN	4017918181529

Technical data

Dimensions

Pitch	3.5 mm
Dimension a	7 mm

General

Range of articles	ZEC 1,0/..-LPV
Insulating material group	I
Rated surge voltage (III/3)	2.5 kV
Rated surge voltage (III/2)	2.5 kV
Rated surge voltage (II/2)	2.5 kV
Rated voltage (III/2)	200 V
Rated voltage (II/2)	320 V
Connection in acc. with standard	EN-VDE
Nominal current I _N	8 A
Nominal voltage U _N	160 V
Nominal cross section	1 mm ²
Maximum load current	8 A
Insulating material	PA
Inflammability class according to UL 94	V0
Number of positions	2

PCB connector - ZEC 1,0/ 2-LPV-3,5 C1 - 1915657

classifications

eCl@ss

eCl@ss 4.0	272607xx
eCl@ss 4.1	27260701
eCl@ss 5.0	27260701
eCl@ss 5.1	27260701
eCl@ss 6.0	27260704
eCl@ss 7.0	27440402
eCl@ss 8.0	27440402

ETIM

ETIM 3.0	EC001121
ETIM 4.0	EC002643
ETIM 5.0	EC002643


UNSPSC


UNSPSC 6.01	30211810
UNSPSC 7.0901	39121409
UNSPSC 11	39121409
UNSPSC 12.01	39121409
UNSPSC 13.2	39121409

approvals

UL Recognized / VDE Gutachten mit Fertigungsüberwachung / cUL Recognized / IECCEB Scheme / GOST / GOST / cULus Recognized /

Approval details

UL Recognized 	
Usegroups	B
Nominal voltage UN	150 V
Nominal current IN	8 A
mm ² /AWG/kcmil	

VDE Gutachten mit Fertigungsüberwachung 	
Nominal voltage UN	160 V
Nominal current IN	8 A
mm ² /AWG/kcmil	

PCB connector - ZEC 1,0/ 2-LPV-3,5 C1 - 1915657

approvals

cUL Recognized	
Usegroups	B
Nominal voltage UN	150 V
Nominal current IN	8 A
mm ² /AWG/kcmil	

IECEE CB Scheme

GOST

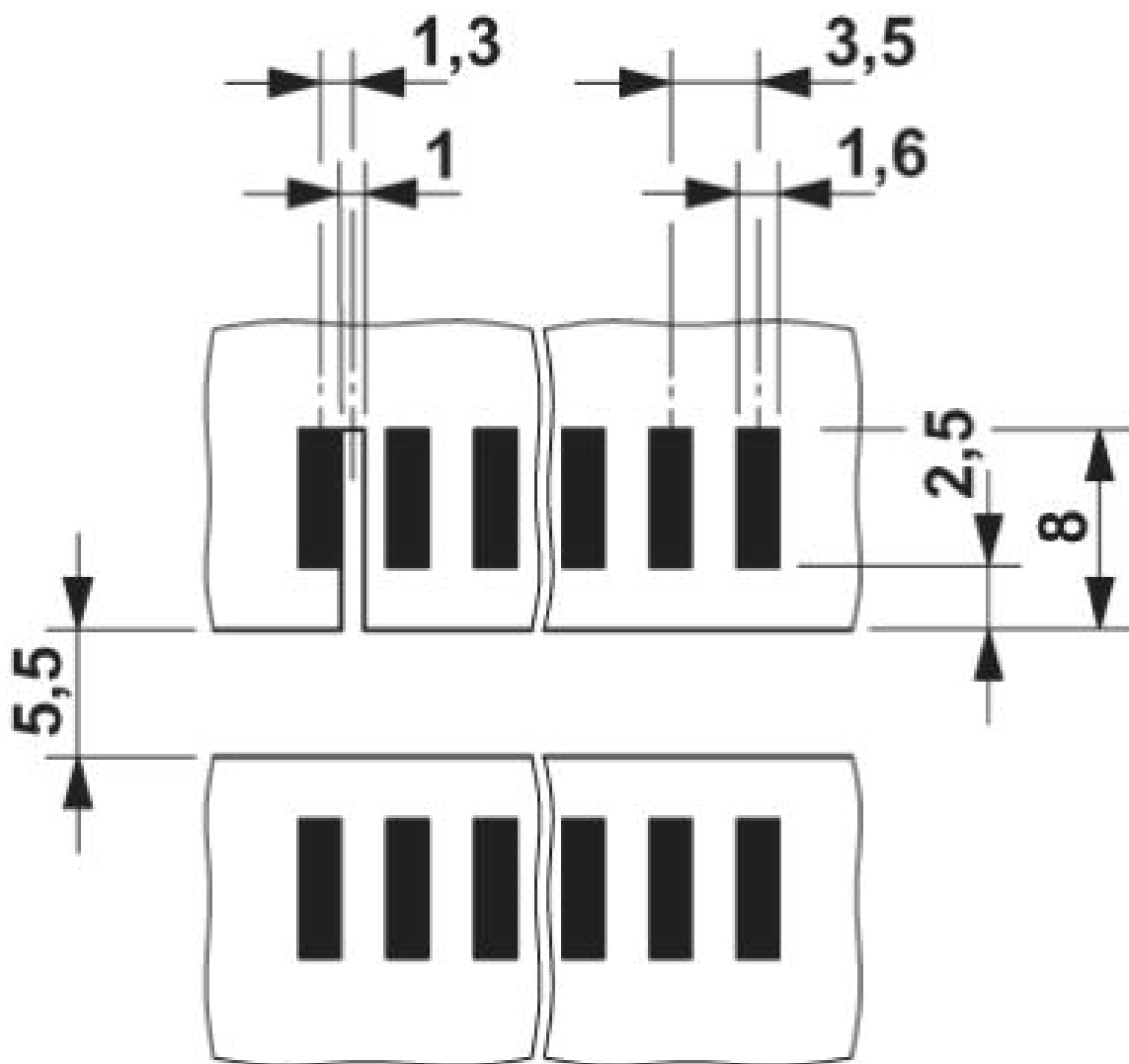
--

cULus Recognized

Drawings

PCB connector - ZEC 1,0/ 2-LPV-3,5 C1 - 1915657

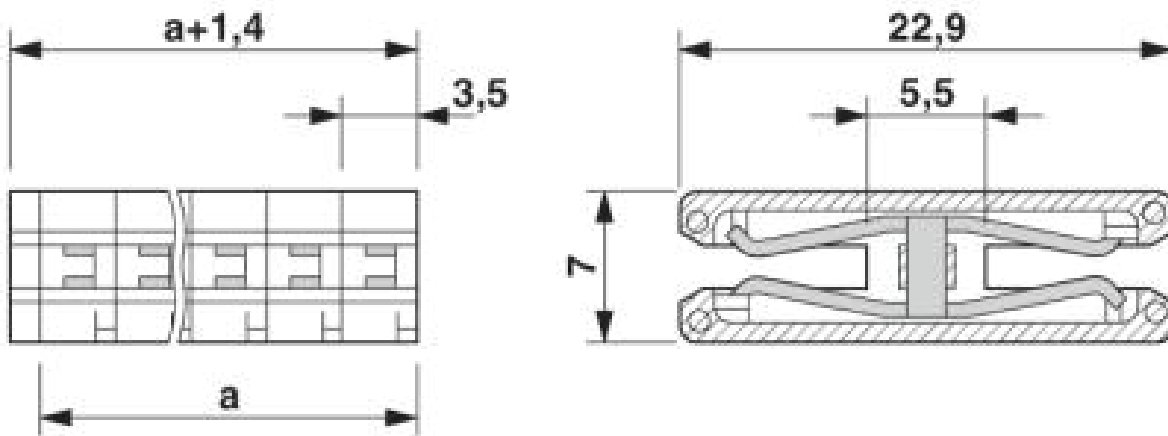
Drilling diagram



Size of the PCB: 1.6 ± 0.2 mm

PCB connector - ZEC 1,0/ 2-LPV-3,5 C1 - 1915657

Dimensioned drawing



© Phoenix Contact 2014 - all rights reserved
<http://www.phoenixcontact.com>