

## Accessories - IC-DFR 10 - 1852105

Please be informed that the data shown in this PDF Document is generated from our Online Catalog. Please find the complete data in the user's documentation. Our General Terms of Use for Downloads are valid (<http://download.phoenixcontact.com>)



Accessories, Number of positions: 10, Pitch: 5.08 mm, Color: green, This assembly frame can only be used in combination with IC 2,5/...-STGF-5,08

### Product Features

- Feed-through assembly frame for inverted COMBICON plug IC 2,5/-STGF-5,08
- Vibration-resistant screw connection for both plugs provided by screw flanges
- Fitting the MSTB 2,5/...-STF-5,08 plug from outside
- Up to a panel thickness of 1.5 mm, the frame can be screwed before the IC plug is mounted
- Frame in plate cutout can be used and screwed on.
- Snap-locking of the IC plug into the frame

### Key commercial data

<b>package_quantity</b>	50
<b>GTIN</b>	4017918108984

### Technical data

#### Dimensions

<b>Pitch</b>	5.08 mm
<b>Dimension a</b>	45.72 mm

#### General

<b>Range of articles</b>	IC-DFR
<b>Insulating material group</b>	I
<b>Nominal cross section</b>	2.5 mm <sup>2</sup>
<b>Insulating material</b>	PA
<b>Inflammability class according to UL 94</b>	V0
<b>Number of positions</b>	10

### classifications

#### eCl@ss

<b>eCl@ss 4.0</b>	272607xx
<b>eCl@ss 4.1</b>	27260701
<b>eCl@ss 5.0</b>	27260701
<b>eCl@ss 5.1</b>	27260701

# Accessories - IC-DFR 10 - 1852105

## classifications

### eCl@ss

eCl@ss 6.0	27260704
eCl@ss 7.0	27440402
eCl@ss 8.0	27440402

### ETIM

ETIM 3.0	EC000879
ETIM 4.0	EC000879
ETIM 5.0	EC002310

### UNSPSC

UNSPSC 6.01	30211810
UNSPSC 7.0901	39121409
UNSPSC 11	39121409
UNSPSC 12.01	39121409
UNSPSC 13.2	39121409

## accessories

### Mounting material

DFK-MSTB-SS - 0708263



---

### PCB plug

IC 2,5/10-STGF-5,08 - 1825585

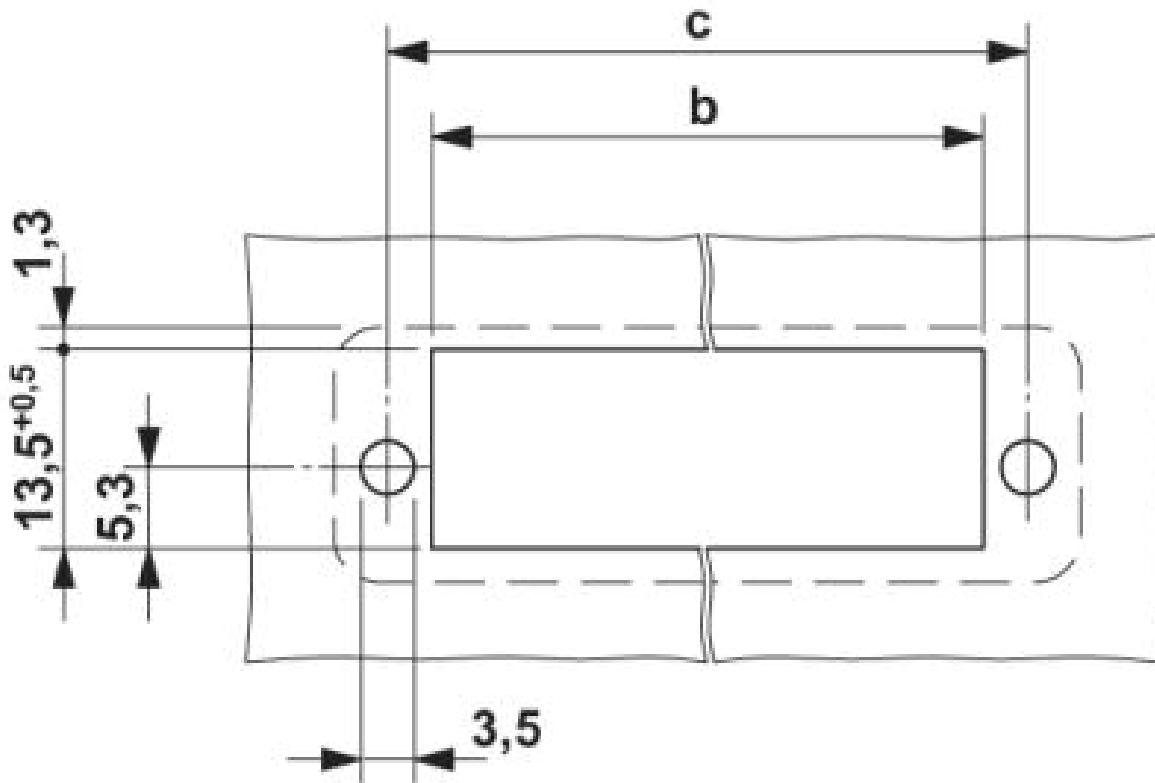


---

## Drawings

# Accessories - IC-DFR 10 - 1852105

Drilling diagram



Dimension b:  $10.84 \text{ mm} + (\text{no. of pos.} \times 5.08 \text{ mm})$  Dimension c:  $\text{Dim. b} + 5.83 \text{ mm}$

Dimensioned drawing

