

Accessories - IC-DFR 5 - 1852053

Please be informed that the data shown in this PDF Document is generated from our Online Catalog. Please find the complete data in the user's documentation. Our General Terms of Use for Downloads are valid (<http://download.phoenixcontact.com>)



Accessories, Number of positions: 5, Pitch: 5.08 mm, Color: green, This assembly frame can only be used in combination with IC 2,5/...-STGF-5,08

Product Features

- Feed-through assembly frame for inverted COMBICON plug IC 2,5/-STGF-5,08
- Vibration-resistant screw connection for both plugs provided by screw flanges
- Up to a panel thickness of 1.5 mm, the frame can be screwed before the IC plug is mounted
- Snap-locking of the IC plug into the frame
- Frame in plate cutout can be used and screwed on.
- Fitting the MSTB 2,5/...-STF-5,08 plug from outside

Key commercial data

package_quantity	50
GTIN	4017918108939

Technical data

Dimensions

Pitch	5.08 mm
Dimension a	20.32 mm

General

Range of articles	IC-DFR
Insulating material group	I
Nominal cross section	2.5 mm ²
Insulating material	PA
Inflammability class according to UL 94	V0
Number of positions	5

classifications

eCl@ss

eCl@ss 4.0	272607xx
eCl@ss 4.1	27260701
eCl@ss 5.0	27260701
eCl@ss 5.1	27260701

Accessories - IC-DFR 5 - 1852053

classifications

eCl@ss

eCl@ss 6.0	27260704
eCl@ss 7.0	27440402
eCl@ss 8.0	27440402

ETIM

ETIM 3.0	EC000879
ETIM 4.0	EC000879
ETIM 5.0	EC002310

UNSPSC

UNSPSC 6.01	30211810
UNSPSC 7.0901	39121409
UNSPSC 11	39121409
UNSPSC 12.01	39121409
UNSPSC 13.2	39121409

accessories

Mounting material

DFK-MSTB-SS - 0708263



PCB plug

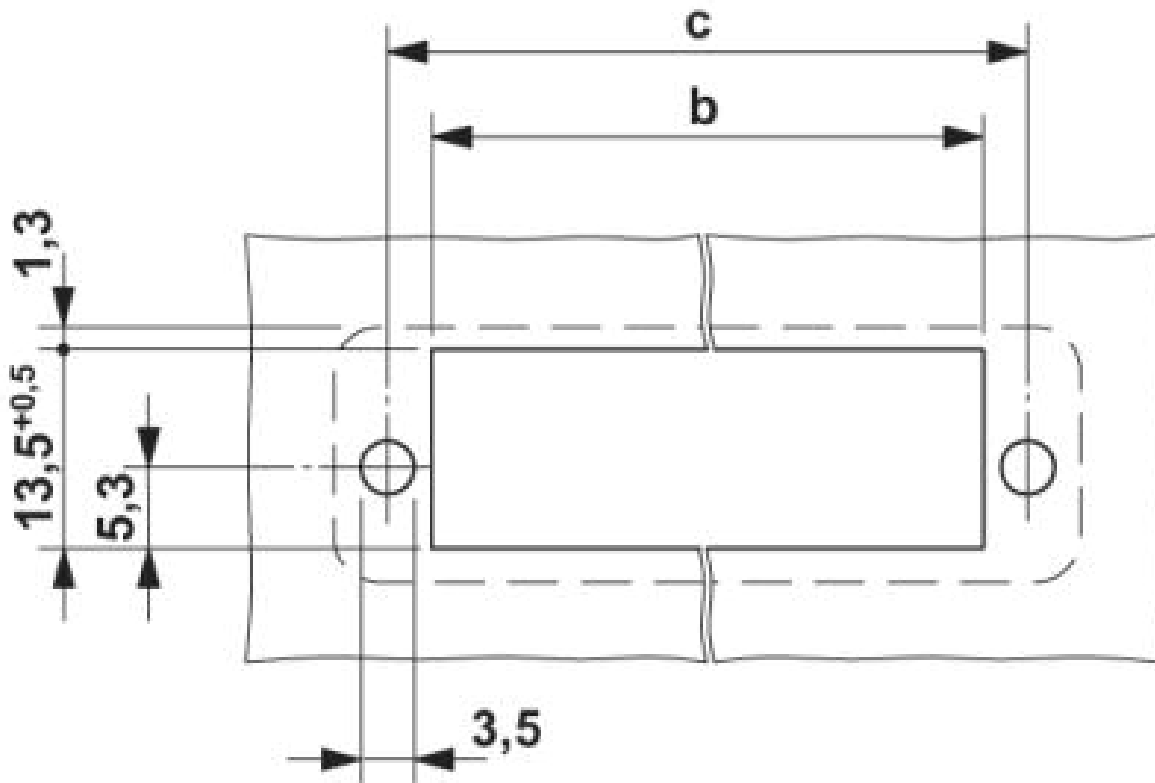
IC 2,5/ 5-STGF-5,08 - 1825530



Drawings

Accessories - IC-DFR 5 - 1852053

Drilling diagram



Dimension b: $10.84 \text{ mm} + (\text{no. of pos.} \times 5.08 \text{ mm})$ Dimension c: $\text{Dim. b} + 5.83 \text{ mm}$

Dimensioned drawing

