

Cable housing - KGG-MC 1,5/ 3 - 1834356

Please be informed that the data shown in this PDF Document is generated from our Online Catalog. Please find the complete data in the user's documentation. Our General Terms of Use for Downloads are valid (<http://download.phoenixcontact.com>)



Cable housing, Pitch: 3.81 mm, Number of positions: 3, Dimension a: 13.82 mm, Color: green

Product Features

- For MC or IMC plugs with and without flange, and 3.81 mm pitch
- Straight cable outlet for sequencing several cable housings
- Incl. transparent label carriers from 6- to 16-pos.
- Incl. cable binders and marker strips for any numbers of positions
- Easier plug-in and disconnection processes
- Strain relief for the cables provided by cable binder or a clamp
- Full latching of both half shells of the cable housing

Key commercial data

package_quantity	10
GTIN	4017918051877

Technical data

Dimensions

Pitch	3.81 mm
Dimension a	13.82 mm

General

Range of articles	KGG-MC 1,5
Insulating material group	I
Insulating material	ABS
Inflammability class according to UL 94	HB
Number of positions	3

classifications

eCl@ss

eCl@ss 4.0	272607xx
eCl@ss 4.1	27260701
eCl@ss 5.0	27260701
eCl@ss 5.1	27260701

Cable housing - KGG-MC 1,5/ 3 - 1834356

classifications

eCl@ss

eCl@ss 6.0	27260704
eCl@ss 7.0	27449202
eCl@ss 8.0	27449202

ETIM

ETIM 3.0	EC001121
ETIM 4.0	EC000879
ETIM 5.0	EC000451

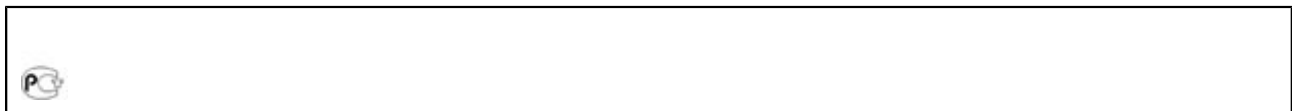
UNSPSC

UNSPSC 6.01	30211810
UNSPSC 7.0901	39121409
UNSPSC 11	39121409
UNSPSC 12.01	39121409
UNSPSC 13.2	39121409

approvals

GOST / GOST /

Approval details



accessories

Terminal marking

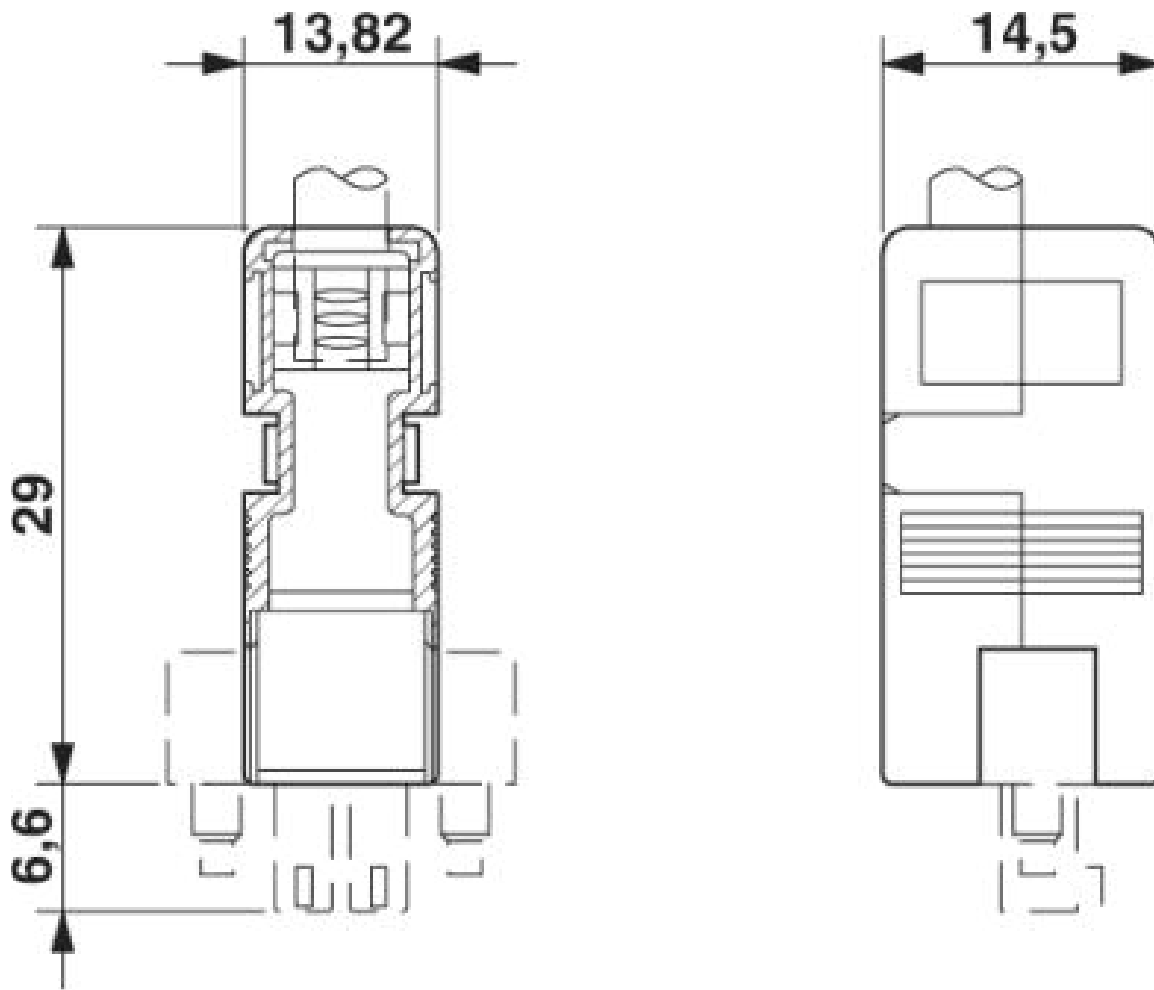
SBS10:UNBEDRUCKT - 1007248



Drawings

Cable housing - KGG-MC 1,5/ 3 - 1834356

Dimensioned drawing



Cable housing - KGG-MC 1,5/ 3 - 1834356

Dimensioned drawing

