

# Printed-circuit board connector - MC 1,5/ 6-ST-3,81 - 1803617

Please be informed that the data shown in this PDF Document is generated from our Online Catalog. Please find the complete data in the user's documentation. Our General Terms of Use for Downloads are valid (<http://download.phoenixcontact.com>)



Plug component, Nominal current: 8 A, Rated voltage (III/2): 160 V, Number of positions: 6, Pitch: 3.81 mm, Connection method: Screw connection, Color: green, Contact surface: Tin

The figure shows a 10-position version of the product

## Product Features

- Generously dimensioned wiring space
- Plug-in direction parallel to the conductor axis
- Low design height of the MC 1,5 plug range
- Individual position coding by removing the coding tab and connecting the coding profile to the header

## Key commercial data

|                         |               |
|-------------------------|---------------|
| <b>package_quantity</b> | 50            |
| <b>GTIN</b>             | 4017918045920 |

## Technical data

### Dimensions

|                    |          |
|--------------------|----------|
| <b>Length</b>      | 16.1 mm  |
| <b>Height</b>      | 11.1 mm  |
| <b>Width</b>       | 23.65 mm |
| <b>Pitch</b>       | 3.81 mm  |
| <b>Dimension a</b> | 19.05 mm |

### General

|                                         |                                                        |
|-----------------------------------------|--------------------------------------------------------|
| <b>Range of articles</b>                | MC 1,5/...-ST                                          |
| <b>Insulating material group</b>        | I                                                      |
| <b>Rated surge voltage (III/3)</b>      | 2.5 kV                                                 |
| <b>Rated surge voltage (III/2)</b>      | 2.5 kV                                                 |
| <b>Rated surge voltage (II/2)</b>       | 2.5 kV                                                 |
| <b>Rated voltage (III/3)</b>            | 160 V                                                  |
| <b>Rated voltage (III/2)</b>            | 160 V                                                  |
| <b>Rated voltage (II/2)</b>             | 320 V                                                  |
| <b>Connection in acc. with standard</b> | EN-VDE                                                 |
| <b>Nominal current I<sub>N</sub></b>    | 8 A                                                    |
| <b>Nominal cross section</b>            | 1.5 mm <sup>2</sup>                                    |
| <b>Maximum load current</b>             | 8 A (with 1.5 mm <sup>2</sup> conductor cross section) |

# Printed-circuit board connector - MC 1,5/ 6-ST-3,81 - 1803617

## Technical data

### General

|                                         |         |
|-----------------------------------------|---------|
| Insulating material                     | PA      |
| Inflammability class according to UL 94 | V0      |
| Internal cylindrical gage               | A1      |
| Stripping length                        | 7 mm    |
| Number of positions                     | 6       |
| Screw thread                            | M2      |
| Tightening torque, min                  | 0.22 Nm |
| Tightening torque max                   | 0.25 Nm |

### Connection data

|                                                                                         |                      |
|-----------------------------------------------------------------------------------------|----------------------|
| Conductor cross section solid min.                                                      | 0.14 mm <sup>2</sup> |
| Conductor cross section solid max.                                                      | 1.5 mm <sup>2</sup>  |
| Conductor cross section stranded min.                                                   | 0.14 mm <sup>2</sup> |
| Conductor cross section stranded max.                                                   | 1.5 mm <sup>2</sup>  |
| Conductor cross section stranded, with ferrule without plastic sleeve min.              | 0.25 mm <sup>2</sup> |
| Conductor cross section stranded, with ferrule without plastic sleeve max.              | 1.5 mm <sup>2</sup>  |
| Conductor cross section stranded, with ferrule with plastic sleeve min.                 | 0.25 mm <sup>2</sup> |
| Conductor cross section stranded, with ferrule with plastic sleeve max.                 | 0.5 mm <sup>2</sup>  |
| Conductor cross section AWG/kcmil min.                                                  | 28                   |
| Conductor cross section AWG/kcmil max                                                   | 16                   |
| 2 conductors with same cross section, solid min.                                        | 0.08 mm <sup>2</sup> |
| 2 conductors with same cross section, solid max.                                        | 0.5 mm <sup>2</sup>  |
| 2 conductors with same cross section, stranded min.                                     | 0.08 mm <sup>2</sup> |
| 2 conductors with same cross section, stranded max.                                     | 0.75 mm <sup>2</sup> |
| 2 conductors with same cross section, stranded, ferrules without plastic sleeve, min.   | 0.25 mm <sup>2</sup> |
| 2 conductors with same cross section, stranded, ferrules without plastic sleeve, max.   | 0.34 mm <sup>2</sup> |
| 2 conductors with same cross section, stranded, TWIN ferrules with plastic sleeve, min. | 0.5 mm <sup>2</sup>  |
| 2 conductors with same cross section, stranded, TWIN ferrules with plastic sleeve, max. | 0.5 mm <sup>2</sup>  |
| Minimum AWG according to UL/CUL                                                         | 30                   |
| Maximum AWG according to UL/CUL                                                         | 14                   |

## classifications

### eCl@ss

|            |          |
|------------|----------|
| eCl@ss 4.0 | 272607xx |
| eCl@ss 4.1 | 27260701 |
| eCl@ss 5.0 | 27260701 |

# Printed-circuit board connector - MC 1,5/ 6-ST-3,81 - 1803617

## classifications

### eCl@ss

|            |          |
|------------|----------|
| eCl@ss 5.1 | 27260701 |
| eCl@ss 6.0 | 27260704 |
| eCl@ss 7.0 | 27440402 |
| eCl@ss 8.0 | 27440402 |

### ETIM

|          |          |
|----------|----------|
| ETIM 3.0 | EC001121 |
| ETIM 4.0 | EC002638 |
| ETIM 5.0 | EC002638 |

### UNSPSC

|               |          |
|---------------|----------|
| UNSPSC 6.01   | 30211810 |
| UNSPSC 7.0901 | 39121409 |
| UNSPSC 11     | 39121409 |
| UNSPSC 12.01  | 39121409 |
| UNSPSC 13.2   | 39121409 |

## approvals

CSA / UL Recognized / VDE Gutachten mit Fertigungsüberwachung / cUL Recognized / GOST / IEC EE CB Scheme / GOST / CCA / cULus Recognized /

### Approval details

| Usegroups                  | B     | D     |
|----------------------------|-------|-------|
| Nominal voltage UN         | 300 V | 300 V |
| Nominal current IN         | 8 A   | 8 A   |
| mm <sup>2</sup> /AWG/kcmil | 28-16 | 28-16 |

| Usegroups                  | B     | D     |
|----------------------------|-------|-------|
| Nominal voltage UN         | 300 V | 300 V |
| Nominal current IN         | 8 A   | 8 A   |
| mm <sup>2</sup> /AWG/kcmil | 30-14 | 30-14 |

|  |  |  |
|--|--|--|
|  |  |  |
|--|--|--|

# Printed-circuit board connector - MC 1,5/ 6-ST-3,81 - 1803617

## approvals

|                            |         |
|----------------------------|---------|
| Nominal voltage UN         | 160 V   |
| Nominal current IN         | 8 A     |
| mm <sup>2</sup> /AWG/kcmil | 0.2-1.5 |

**cUL Recognized**

| Usegroups                  | B     | D     |
|----------------------------|-------|-------|
| Nominal voltage UN         | 300 V | 300 V |
| Nominal current IN         | 8 A   | 8 A   |
| mm <sup>2</sup> /AWG/kcmil | 30-14 | 30-14 |

**GOST**

**IECEE CB Scheme**

|                            |         |
|----------------------------|---------|
| Nominal voltage UN         | 160 V   |
| Nominal current IN         | 8 A     |
| mm <sup>2</sup> /AWG/kcmil | 0.2-1.5 |

**CCA**

|                            |         |
|----------------------------|---------|
| Nominal voltage UN         | 160 V   |
| Nominal current IN         | 8 A     |
| mm <sup>2</sup> /AWG/kcmil | 0.2-1.5 |

**cULus Recognized**

## accessories

**Labeled terminal marker**

## Printed-circuit board connector - MC 1,5/ 6-ST-3,81 - 1803617

accessories

SK 3,81/2,8:FORTL.ZAHLEN - 0804109



---

### Screwdriver tools

SZS 0,4X2,5 VDE - 1205037



---

### Cable housing

KGG-MC 1,5/ 6 - 1834385

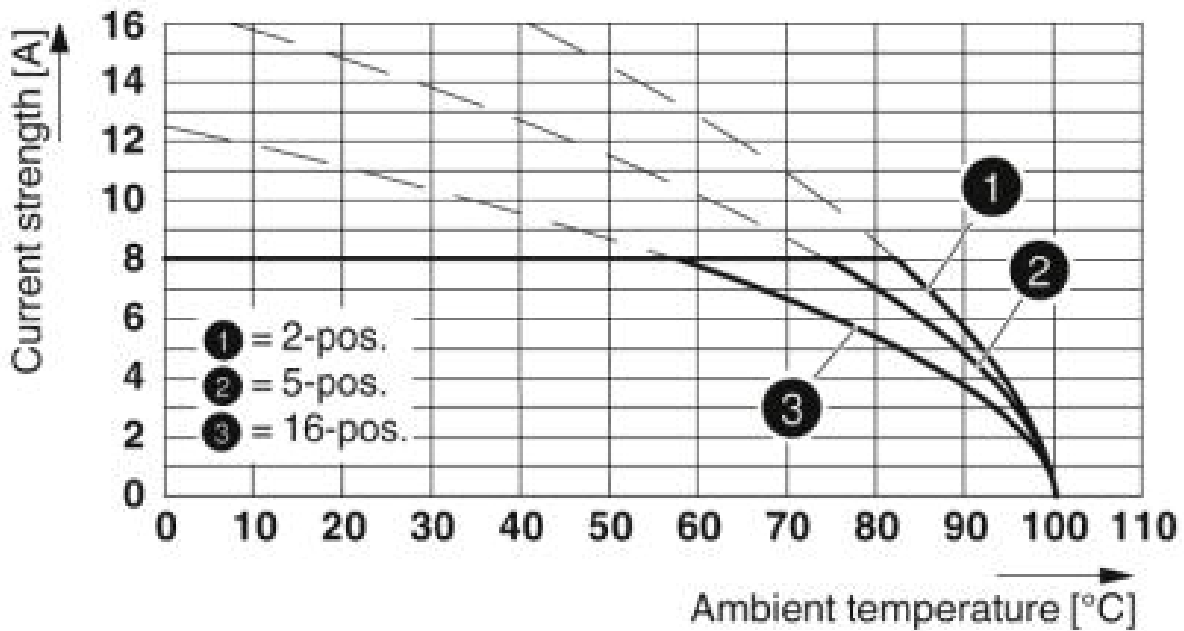


---

### Drawings

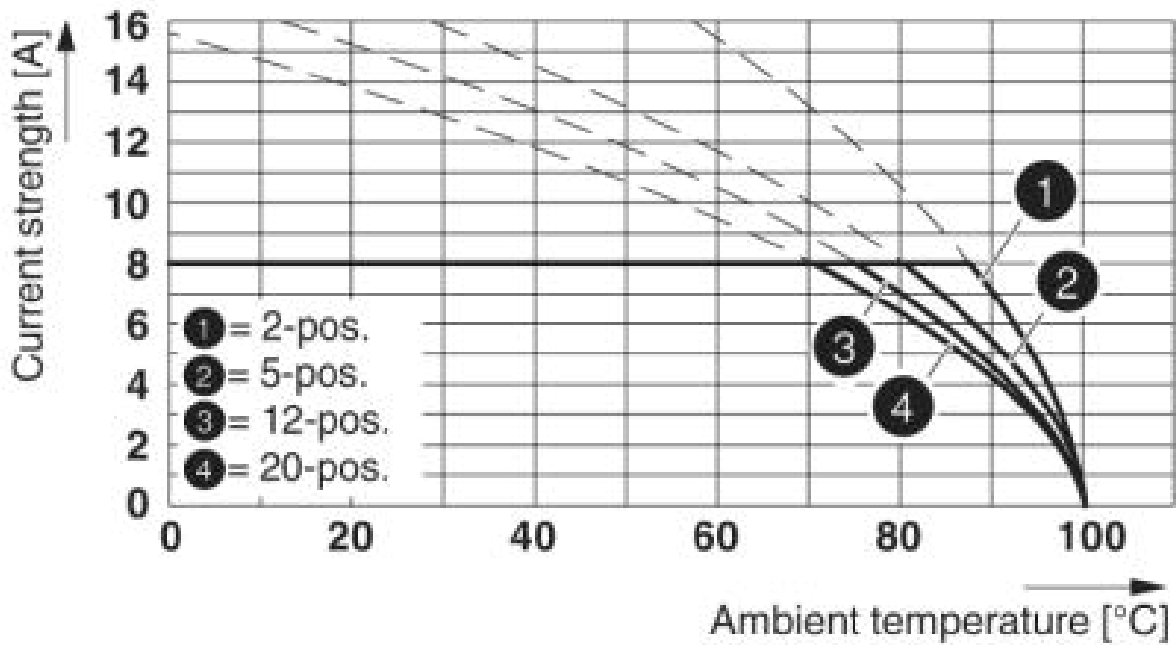
# Printed-circuit board connector - MC 1,5/ 6-ST-3,81 - 1803617

Diagram



Type: MC 1,5/...-ST-3,81 with MCD 1,5/...-G1-3,81

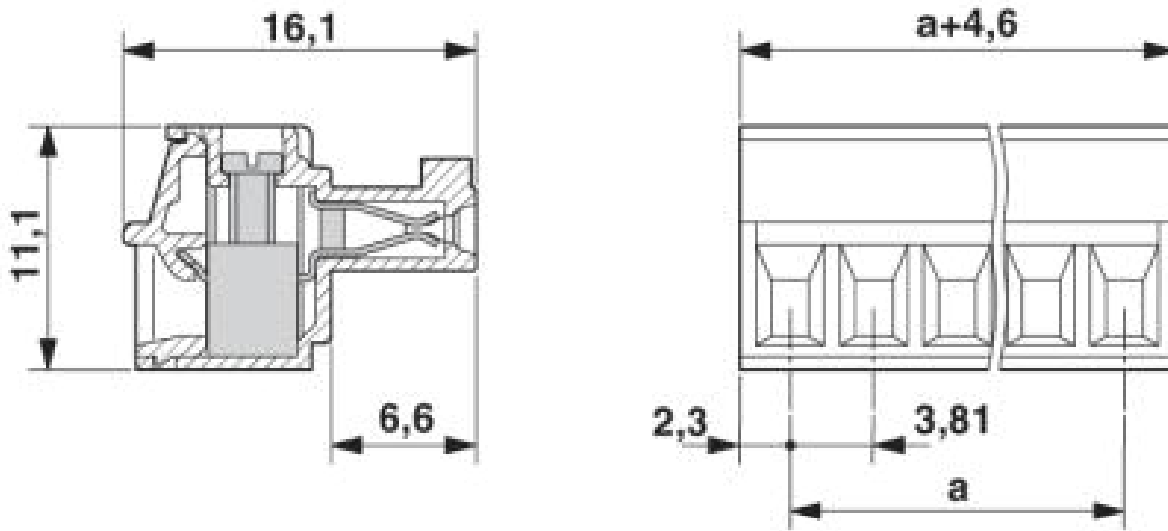
Diagram



Type: MC 1,5/...-ST-3,81 with MC 1,5/...-G-3,81

# Printed-circuit board connector - MC 1,5/ 6-ST-3,81 - 1803617

Dimensioned drawing



© Phoenix Contact 2014 - all rights reserved  
<http://www.phoenixcontact.com>