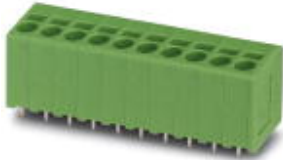


PCB terminal block - SPT 2,5/ 2-V-5,0-EX - 1732496

Please be informed that the data shown in this PDF Document is generated from our Online Catalog. Please find the complete data in the user's documentation. Our General Terms of Use for Downloads are valid (<http://download.phoenixcontact.com>)



PCB terminal block, Nominal current (Ex): 23 A, Nominal voltage (Ex): 176 V, Pitch: 5 mm, Number of positions: 2, Connection method: Spring-cage connection, Mounting: Soldering, Color: green

The figure shows a 10-position version of the product

Product Features

- Two solder pins for a high level of stability on the PCB
- Voltage can be increased by using pitch spacers
- Push-in direct plug-in technology for solid and stranded conductors with ferrules
- Front Push-in spring-cage connection

Key commercial data

package_quantity	50
GTIN	4046356281973

Technical data

Dimensions

Pitch	5 mm
Dimension a	5 mm
Pin dimensions	0,8 x 0,8
Pin spacing	5 mm
Hole diameter	1.1 mm

General

Range of articles	SPT 2,5/...-V-EX
Insulating material group	I
Nominal cross section	2.5 mm ²
Insulating material	PA
Solder pin surface	Sn
Inflammability class according to UL 94	V0
Number of positions	2

classifications

eCl@ss

eCl@ss 4.0	27141111
-------------------	----------

PCB terminal block - SPT 2,5/ 2-V-5,0-EX - 1732496

classifications

eCl@ss

eCl@ss 4.1	27141109
eCl@ss 5.0	27141190
eCl@ss 5.1	27141190
eCl@ss 6.0	27261101
eCl@ss 7.0	27440401
eCl@ss 8.0	27440401

ETIM

ETIM 3.0	EC001121
ETIM 4.0	EC002643
ETIM 5.0	EC002643

UNSPSC


UNSPSC 6.01	30211801
UNSPSC 7.0901	39121432
UNSPSC 11	39121432
UNSPSC 12.01	39121432
UNSPSC 13.2	39121432

approvals

IECEX / ATEX /

Approval details

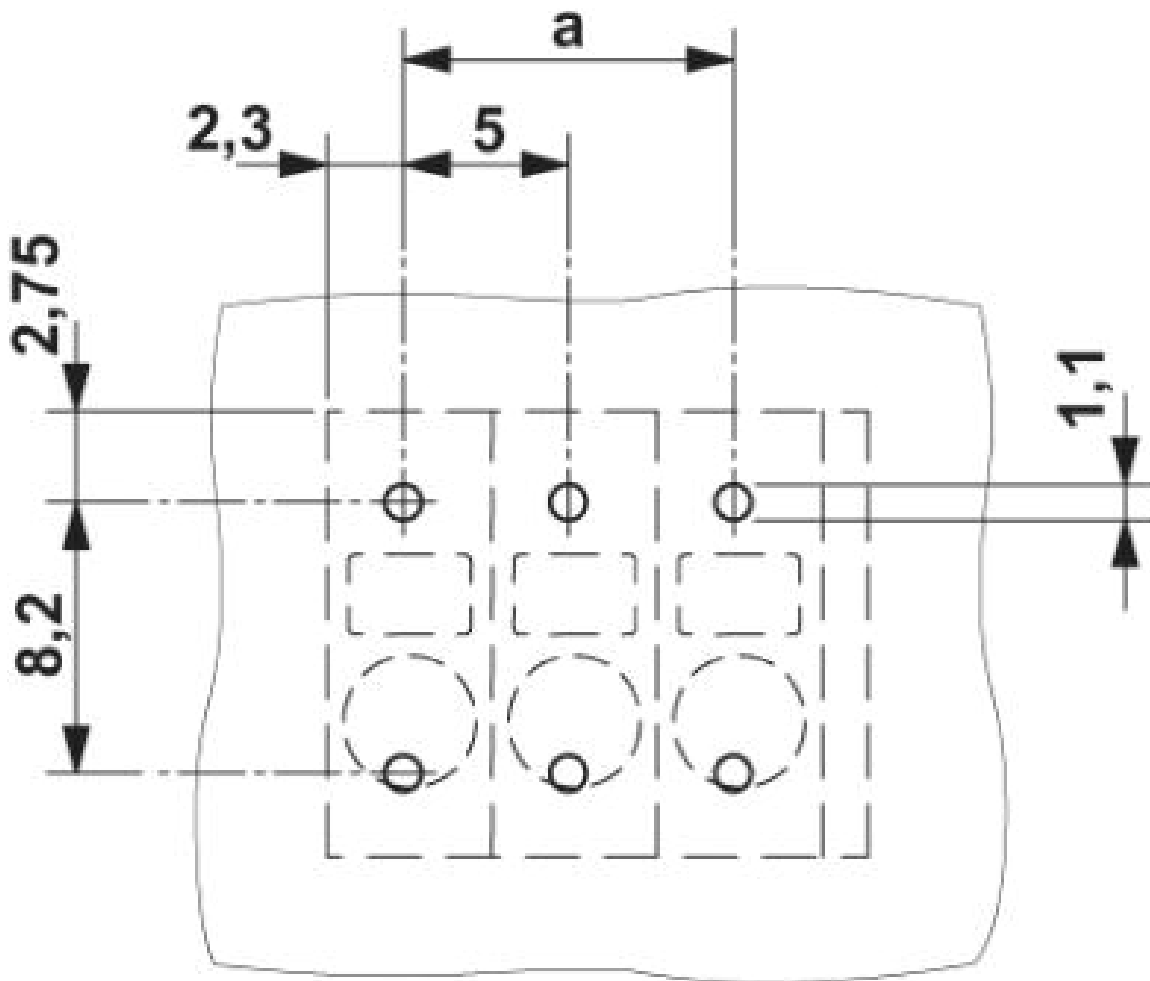
IECEX	
Nominal voltage UN	176 V
Nominal current IN	23 A
mm ² /AWG/kcmil	0.2-4

ATEX 	
Nominal voltage UN	176 V
Nominal current IN	23 A
mm ² /AWG/kcmil	0.2-4

Drawings

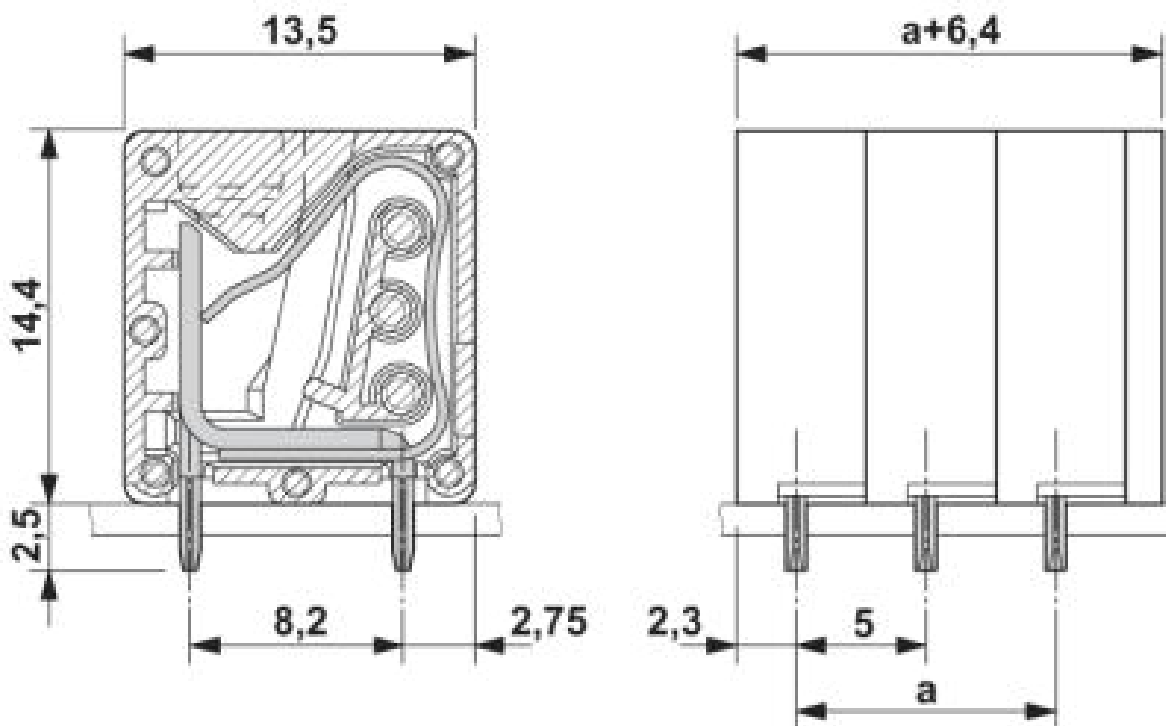
PCB terminal block - SPT 2,5/ 2-V-5,0-EX - 1732496

Drilling diagram



PCB terminal block - SPT 2,5/ 2-V-5,0-EX - 1732496

Dimensioned drawing



© Phoenix Contact 2014 - all rights reserved
<http://www.phoenixcontact.com>