

# PCB terminal block - MKDS 2,5/ 8-5,08 - 1730450

Please be informed that the data shown in this PDF Document is generated from our Online Catalog. Please find the complete data in the user's documentation. Our General Terms of Use for Downloads are valid (<http://download.phoenixcontact.com>)



PCB terminal block, Nominal current: 24 A, Nom. voltage: 400 V, Pitch: 5.08 mm, Number of positions: 8, Connection method: Screw connection, Mounting: Soldering, Conductor/PCB connection direction: 0 °, Color: green

The illustration shows a combination as a 12-position version

## Key commercial data

<b>package_quantity</b>	50
<b>GTIN</b>	4017918026349

## Technical data

### Dimensions

<b>Length</b>	11.62 mm
<b>Pitch</b>	5.08 mm
<b>Dimension a</b>	35.56 mm
<b>Pin dimensions</b>	1,1 x 0,8 mm
<b>Hole diameter</b>	1.4 mm

### General

<b>Range of articles</b>	MKDS 2,5
<b>Insulating material group</b>	I
<b>Rated surge voltage (III/3)</b>	4 kV
<b>Rated surge voltage (III/2)</b>	4 kV
<b>Rated surge voltage (II/2)</b>	4 kV
<b>Rated voltage (III/3)</b>	250 V
<b>Rated voltage (III/2)</b>	400 V
<b>Rated voltage (II/2)</b>	630 V
<b>Connection in acc. with standard</b>	EN-VDE
<b>Nominal current I<sub>N</sub></b>	24 A
<b>Nominal cross section</b>	2.5 mm <sup>2</sup>
<b>Maximum load current</b>	24 A
<b>Insulating material</b>	PA
<b>Solder pin surface</b>	Sn
<b>Inflammability class according to UL 94</b>	V0
<b>Internal cylindrical gage</b>	A3

# PCB terminal block - MKDS 2,5/ 8-5,08 - 1730450

## Technical data

### General

Stripping length	8 mm
Number of positions	8
Screw thread	M3
Tightening torque, min	0.5 Nm
Tightening torque max	0.6 Nm

### Connection data

Conductor cross section solid min.	0.14 mm <sup>2</sup>
Conductor cross section solid max.	2.5 mm <sup>2</sup>
Conductor cross section stranded min.	0.14 mm <sup>2</sup>
Conductor cross section stranded max.	2.5 mm <sup>2</sup>
Conductor cross section stranded, with ferrule without plastic sleeve min.	0.25 mm <sup>2</sup>
Conductor cross section stranded, with ferrule without plastic sleeve max.	2.5 mm <sup>2</sup>
Conductor cross section stranded, with ferrule with plastic sleeve min.	0.25 mm <sup>2</sup>
Conductor cross section stranded, with ferrule with plastic sleeve max.	1.5 mm <sup>2</sup>
Conductor cross section AWG/kcmil min.	26
Conductor cross section AWG/kcmil max	14
2 conductors with same cross section, solid min.	0.14 mm <sup>2</sup>
2 conductors with same cross section, solid max.	0.75 mm <sup>2</sup>
2 conductors with same cross section, stranded min.	0.14 mm <sup>2</sup>
2 conductors with same cross section, stranded max.	0.75 mm <sup>2</sup>
2 conductors with same cross section, stranded, ferrules without plastic sleeve, min.	0.25 mm <sup>2</sup>
2 conductors with same cross section, stranded, ferrules without plastic sleeve, max.	0.75 mm <sup>2</sup>
2 conductors with same cross section, stranded, TWIN ferrules with plastic sleeve, min.	0.5 mm <sup>2</sup>
2 conductors with same cross section, stranded, TWIN ferrules with plastic sleeve, max.	1.5 mm <sup>2</sup>
Minimum AWG according to UL/CUL	30
Maximum AWG according to UL/CUL	12

## classifications

### eCl@ss

eCl@ss 4.0	27141109
eCl@ss 4.1	27141109
eCl@ss 5.0	27141190
eCl@ss 5.1	27141190
eCl@ss 6.0	27261101
eCl@ss 7.0	27440401

# PCB terminal block - MKDS 2,5/ 8-5,08 - 1730450

## classifications

### eCl@ss

eCl@ss 8.0	27440401
------------	----------

### ETIM

ETIM 3.0	EC001121
ETIM 4.0	EC002643
ETIM 5.0	EC002643

### UNSPSC

UNSPSC 6.01	30211801
UNSPSC 7.0901	39121432
UNSPSC 11	39121432
UNSPSC 12.01	39121432
UNSPSC 13.2	39121432

## approvals

CSA / UL Recognized / SEV / cUL Recognized / CCA / GOST / cULus Recognized /

### Approval details

Nominal voltage UN	300 V
Nominal current IN	10 A
mm <sup>2</sup> /AWG/kcmil	28-12

Usegroups	B	D
Nominal voltage UN	300 V	300 V
Nominal current IN	10 A	10 A
mm <sup>2</sup> /AWG/kcmil	30-12	30-12

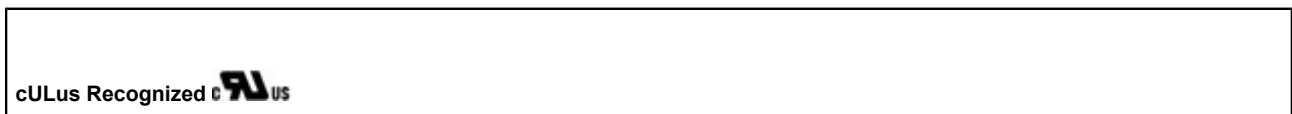
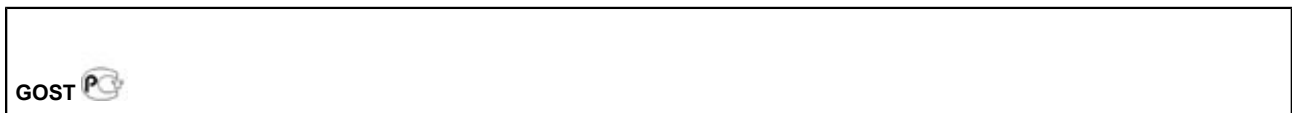
<b>SEV</b>	
Nominal voltage UN	400 V
Nominal current IN	
mm <sup>2</sup> /AWG/kcmil	2.5

# PCB terminal block - MKDS 2,5/ 8-5,08 - 1730450

approvals

<b>cUL Recognized</b>		
Usegroups	B	D
Nominal voltage UN	300 V	300 V
Nominal current IN	10 A	10 A
mm <sup>2</sup> /AWG/kcmil	30-12	30-12

<b>CCA</b>	
Nominal voltage UN	400 V
Nominal current IN	
mm <sup>2</sup> /AWG/kcmil	2.5



accessories

**Labeled terminal marker**

SK 5,08/3,8:FORTL.ZAHLEN - 0804293



**Screwdriver tools**

SZS 0,6X3,5 - 1205053



# PCB terminal block - MKDS 2,5/ 8-5,08 - 1730450

accessories

**Bridge**

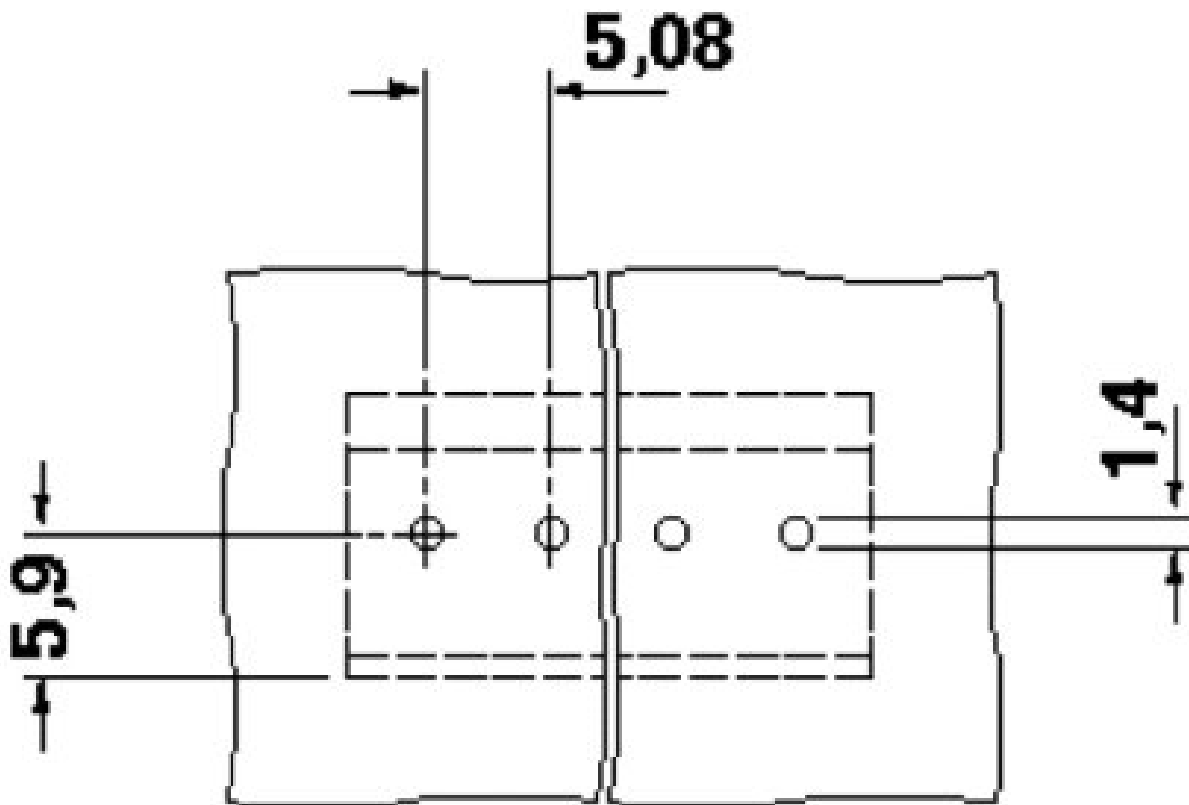
EBP 2- 5 - 1733169



---

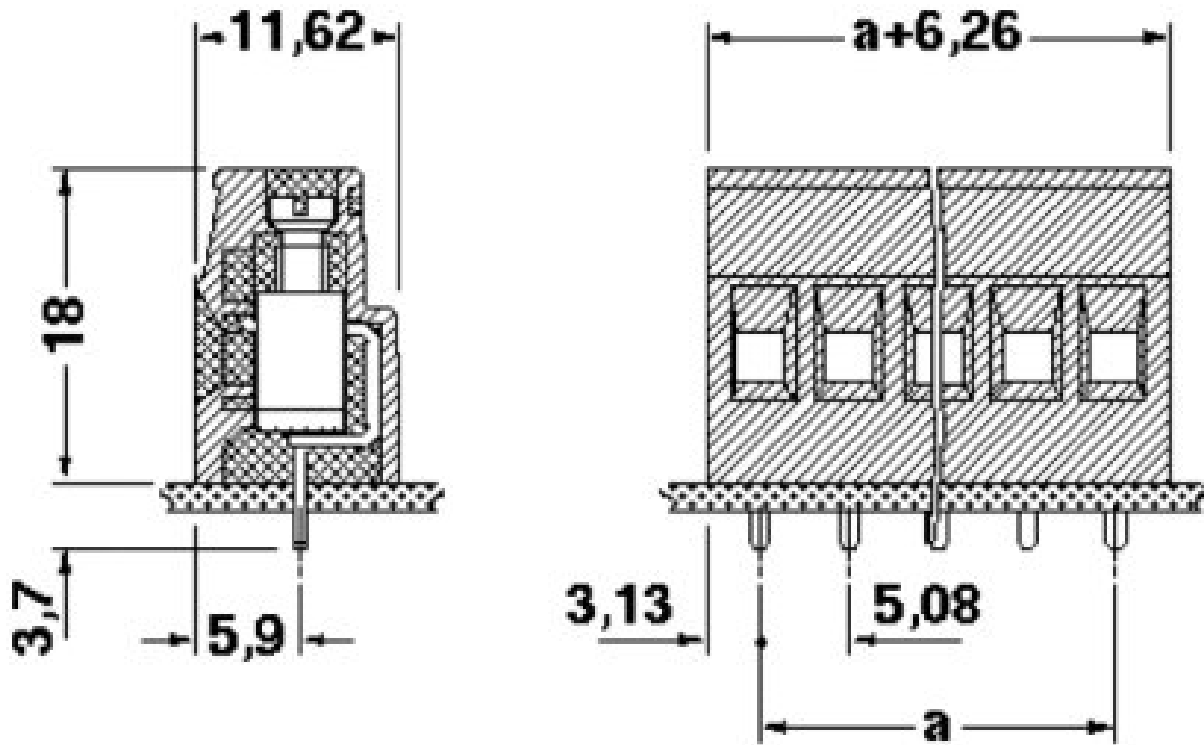
## Drawings

Drilling diagram



# PCB terminal block - MKDS 2,5/ 8-5,08 - 1730450

Dimensioned drawing



© Phoenix Contact 2014 - all rights reserved  
<http://www.phoenixcontact.com>