

# PCB terminal block - MKDS 3/ 4-5,08 - 1712805

Please be informed that the data shown in this PDF Document is generated from our Online Catalog. Please find the complete data in the user's documentation. Our General Terms of Use for Downloads are valid (<http://download.phoenixcontact.com>)



PCB terminal block, Nominal current: 24 A, Nom. voltage: 400 V, Pitch: 5.08 mm, Number of positions: 4, Connection method: Screw connection, Mounting: Soldering, Conductor/PCB connection direction: 0 °, Color: green, The article can be aligned to create different nos. of positions!

## Product Features

- Standard PCB terminal blocks with 5.0 or 5.08 mm pitch

## Key commercial data

|                  |               |
|------------------|---------------|
| package_quantity | 50            |
| GTIN             | 4017918023867 |

## Technical data

### Dimensions

|                |              |
|----------------|--------------|
| Length         | 11.2 mm      |
| Height         | 18 mm        |
| Pitch          | 5.08 mm      |
| Dimension a    | 15.24 mm     |
| Pin dimensions | 0,9 x 0,9 mm |
| Pin spacing    | 15.24 mm     |
| Hole diameter  | 1.3 mm       |

### General

|                                  |   |
|----------------------------------|---|
| Range of articles                | MKDS 3  |
| Insulating material group        | I   |
| Rated surge voltage (III/3)      | 4 kV  |
| Rated surge voltage (III/2)      | 4 kV  |
| Rated surge voltage (II/2)       | 4 kV  |
| Rated voltage (III/3)            | 250 V   |
| Rated voltage (III/2)            | 400 V   |
| Rated voltage (II/2)             | 630 V   |
| Connection in acc. with standard | EN-VDE  |
| Nominal current I <sub>N</sub>   | 24 A  |
| Nominal cross section            | 2.5 mm <sup>2</sup>                                   |
| Maximum load current             | 28 A (with 4 mm <sup>2</sup> conductor cross section) |
| Insulating material              | PA  |
| Solder pin surface               | Sn  |

# PCB terminal block - MKDS 3/ 4-5,08 - 1712805

## Technical data

### General

|   |        |
|---|--------|
| Inflammability class according to UL 94 | V0     |
| Internal cylindrical gage               | A3     |
| Stripping length                        | 8 mm   |
| Number of positions                     | 4      |
| Screw thread                            | M3     |
| Tightening torque, min                  | 0.5 Nm |
| Tightening torque max                   | 0.6 Nm |

### Connection data

|   |                      |
|---|----------------------|
| Conductor cross section solid min.  | 0.2 mm <sup>2</sup>  |
| Conductor cross section solid max.  | 4 mm <sup>2</sup>    |
| Conductor cross section stranded min.   | 0.2 mm <sup>2</sup>  |
| Conductor cross section stranded max.   | 2.5 mm <sup>2</sup>  |
| Conductor cross section stranded, with ferrule without plastic sleeve min.              | 0.25 mm <sup>2</sup> |
| Conductor cross section stranded, with ferrule without plastic sleeve max.              | 2.5 mm <sup>2</sup>  |
| Conductor cross section stranded, with ferrule with plastic sleeve min.                 | 0.25 mm <sup>2</sup> |
| Conductor cross section stranded, with ferrule with plastic sleeve max.                 | 2.5 mm <sup>2</sup>  |
| Conductor cross section AWG/kcmil min.  | 24                   |
| Conductor cross section AWG/kcmil max   | 12                   |
| 2 conductors with same cross section, solid min.  | 0.2 mm <sup>2</sup>  |
| 2 conductors with same cross section, solid max.  | 1.5 mm <sup>2</sup>  |
| 2 conductors with same cross section, stranded min.                                     | 0.2 mm <sup>2</sup>  |
| 2 conductors with same cross section, stranded max.                                     | 1.5 mm <sup>2</sup>  |
| 2 conductors with same cross section, stranded, ferrules without plastic sleeve, min.   | 0.25 mm <sup>2</sup> |
| 2 conductors with same cross section, stranded, ferrules without plastic sleeve, max.   | 0.75 mm <sup>2</sup> |
| 2 conductors with same cross section, stranded, TWIN ferrules with plastic sleeve, min. | 0.5 mm <sup>2</sup>  |
| 2 conductors with same cross section, stranded, TWIN ferrules with plastic sleeve, max. | 1.5 mm <sup>2</sup>  |
| Minimum AWG according to UL/CUL   | 30                   |
| Maximum AWG according to UL/CUL   | 12                   |

## classifications

### eCl@ss

|            |          |
|------------|----------|
| eCl@ss 4.0 | 27141109 |
| eCl@ss 4.1 | 27141109 |
| eCl@ss 5.0 | 27141190 |
| eCl@ss 5.1 | 27141190 |

# PCB terminal block - MKDS 3/ 4-5,08 - 1712805

## classifications

### eCl@ss

|            |          |
|------------|----------|
| eCl@ss 6.0 | 27261101 |
| eCl@ss 7.0 | 27440401 |
| eCl@ss 8.0 | 27440401 |

### ETIM

|          |          |
|----------|----------|
| ETIM 3.0 | EC001121 |
| ETIM 4.0 | EC002643 |
| ETIM 5.0 | EC002643 |


### UNSPSC

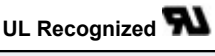
|               |          |
|---------------|----------|
| UNSPSC 6.01   | 30211801 |
| UNSPSC 7.0901 | 39121432 |
| UNSPSC 11     | 39121432 |
| UNSPSC 12.01  | 39121432 |
| UNSPSC 13.2   | 39121432 |

## approvals

CSA / UL Recognized / SEV / cUL Recognized / GOST / GL / CCA / GOST / cULus Recognized /

### Approval details

|  |       |       |
|---|-------|-------|
| Usegroups   | B     | D     |
| Nominal voltage UN  | 300 V | 300 V |
| Nominal current IN  | 10 A  | 10 A  |
| mm <sup>2</sup> /AWG/kcmil  | 28-12 | 28-12 |

|  |       |       |
|---|-------|-------|
| Usegroups   | B     | D     |
| Nominal voltage UN  | 300 V | 300 V |
| Nominal current IN  | 15 A  | 10 A  |
| mm <sup>2</sup> /AWG/kcmil  | 30-12 | 30-12 |

|                    |       |
|--------------------|-------|
| <b>SEV</b>         |       |
| Nominal voltage UN | 250 V |
| Nominal current IN |       |

# PCB terminal block - MKDS 3/ 4-5,08 - 1712805

## approvals

|               |   |
|---------------|---|
| mm²/AWG/kcmil | 4 |
|---------------|---|

cUL Recognized

| Usegroups          | B     | D     |
|--------------------|-------|-------|
| Nominal voltage UN | 300 V | 300 V |
| Nominal current IN | 15 A  | 10 A  |
| mm²/AWG/kcmil      | 30-12 | 30-12 |

GOST

GL

CCA

|                    |       |
|--------------------|-------|
| Nominal voltage UN | 250 V |
| Nominal current IN |       |
| mm²/AWG/kcmil      | 4     |

cULus Recognized

## accessories

### Screwdriver tools

SZS 0,6X3,5 - 1205053



### Pitch spacer

## PCB terminal block - MKDS 3/ 4-5,08 - 1712805

accessories

RZ 1,25-MKDS 3 - 1703047



---

### Terminal marking

SK 5,08/3,8:UNBEDRUCKT - 0805412



---

### Labeled terminal marker

SK 5,08/3,8:FORTL.ZAHLEN - 0804293



SK 5,08/3,8: 0-9 - 0804303



---

### Marker pen

B-STIFT - 1051993



## PCB terminal block - MKDS 3/ 4-5,08 - 1712805

accessories

### Bridge

EBP 2- 5 - 1733169



EBP 3- 5 - 1733172



EBP 4- 5 - 1733185



accessories

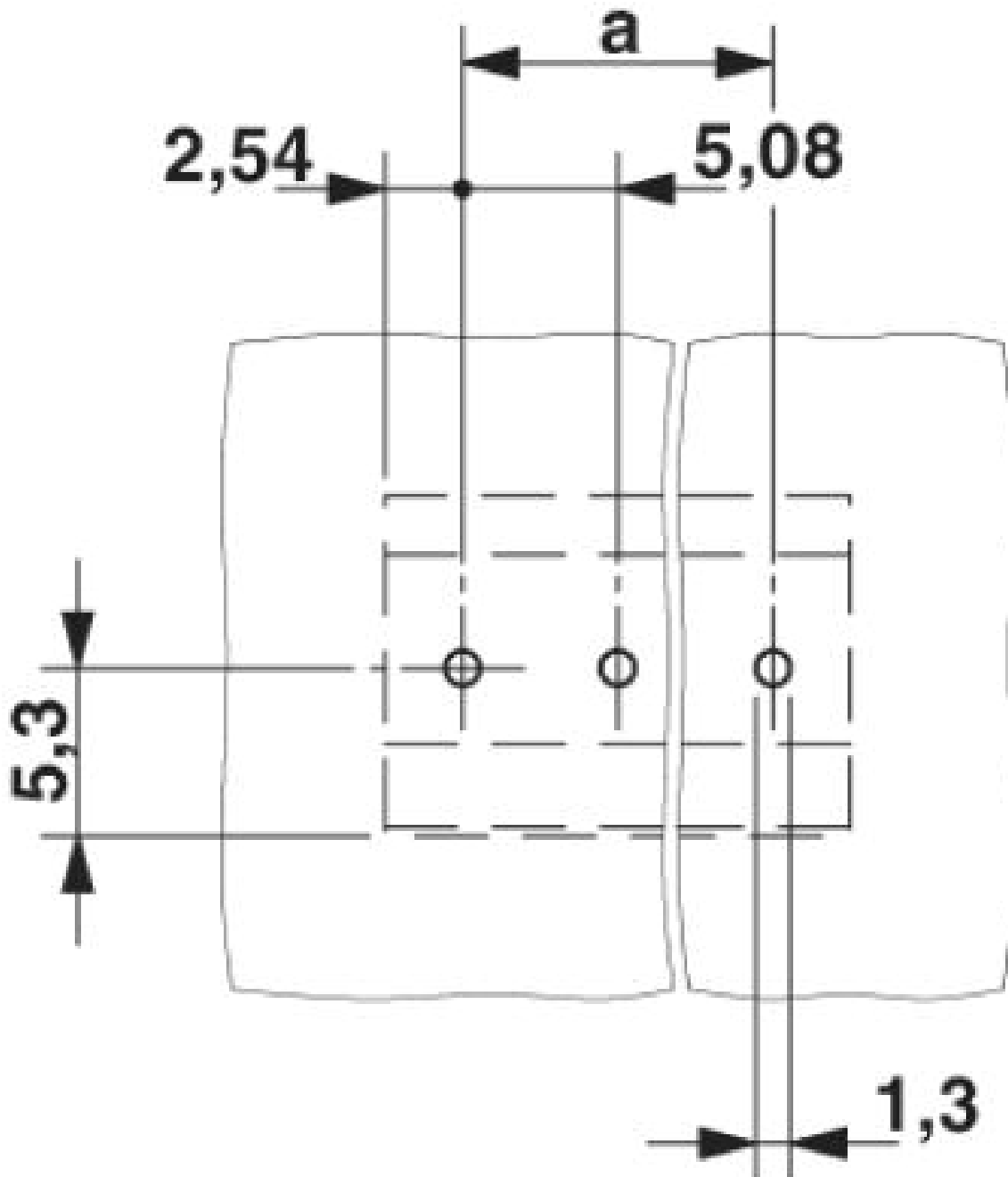
SK 5,08/3,8:SO - 0805085



Drawings

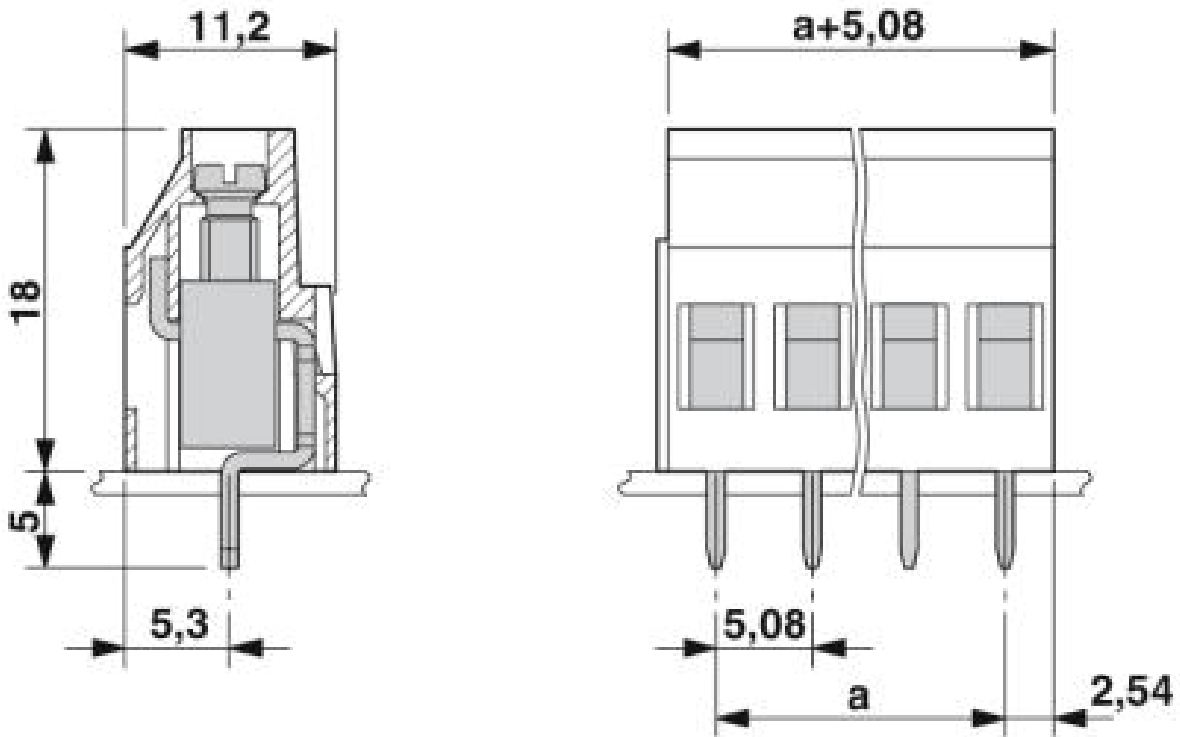
# PCB terminal block - MKDS 3/ 4-5,08 - 1712805

Drilling diagram



# PCB terminal block - MKDS 3/ 4-5,08 - 1712805

Dimensioned drawing



© Phoenix Contact 2014 - all rights reserved  
<http://www.phoenixcontact.com>