

# Base strip - EMSTBA 2,5/ 2-G-5,08 - 1880300

Please be informed that the data shown in this PDF Document is generated from our Online Catalog. Please find the complete data in the user's documentation. Our General Terms of Use for Downloads are valid (<http://download.phoenixcontact.com>)



Header, Nominal current: 12 A, Rated voltage (III/2): 320 V, Number of positions: 2, Pitch: 5.08 mm, Color: green, Contact surface: Tin, Assembly: Press-in

The figure shows a 10-position version of the product

## Product Features

- Press-in tools available on request
- Pin strips with ERNI-PRESS flexible press-in zone
- Processing according to EN 60352-5

## Key commercial data

package_quantity	50
GTIN	4017918185169

## Technical data

### Dimensions

Length	12 mm
Pitch	5.08 mm
Dimension a	5.08 mm
Pin dimensions	1,7 mm
Hole diameter	1.75 mm

### General

Range of articles	EMSTBA 2,5/..-G
Insulating material group	IIIa
Rated surge voltage (III/3)	4 kV
Rated surge voltage (III/2)	4 kV
Rated surge voltage (II/2)	4 kV
Rated voltage (III/3)	250 V
Rated voltage (III/2)	320 V
Rated voltage (II/2)	400 V
Connection in acc. with standard	EN-VDE
Nominal current I <sub>N</sub>	12 A
Maximum load current	12 A
Insulating material	PBT
Inflammability class according to UL 94	V0

# Base strip - EMSTBA 2,5/ 2-G-5,08 - 1880300

## Technical data

### General

<b>Color</b>	green
<b>Number of positions</b>	2

### classifications

#### eCl@ss

<b>eCl@ss 4.0</b>	272607xx
<b>eCl@ss 4.1</b>	27260701
<b>eCl@ss 5.0</b>	27260701
<b>eCl@ss 5.1</b>	27260701
<b>eCl@ss 6.0</b>	27260704
<b>eCl@ss 7.0</b>	27440402
<b>eCl@ss 8.0</b>	27440402

#### ETIM

<b>ETIM 3.0</b>	EC001121
<b>ETIM 4.0</b>	EC002637
<b>ETIM 5.0</b>	EC002637


#### UNSPSC

<b>UNSPSC 6.01</b>	30211810
<b>UNSPSC 7.0901</b>	39121409
<b>UNSPSC 11</b>	39121409
<b>UNSPSC 12.01</b>	39121409
<b>UNSPSC 13.2</b>	39121409

### approvals

UL Recognized / VDE Gutachten mit Fertigungsüberwachung / cUL Recognized / GOST / IECEE CB Scheme / GOST / CCA / cULus Recognized /

#### Approval details

<b>UL Recognized</b> 		
<b>Usegroups</b>	<b>B</b>	<b>D</b>
Nominal voltage UN	300 V	300 V
Nominal current IN	15 A	10 A
mm <sup>2</sup> /AWG/kcmil		

# Base strip - EMSTBA 2,5/ 2-G-5,08 - 1880300

approvals

**VDE Gutachten mit Fertigungsüberwachung**

Nominal voltage UN	250 V
Nominal current IN	12 A
mm <sup>2</sup> /AWG/kcmil	

**cUL Recognized**

Usegroups	B	D
Nominal voltage UN	300 V	300 V
Nominal current IN	15 A	10 A
mm <sup>2</sup> /AWG/kcmil		

**GOST**

**IECEE CB Scheme**

Nominal voltage UN	250 V
Nominal current IN	12 A
mm <sup>2</sup> /AWG/kcmil	

**CCA**

Nominal voltage UN	250 V
Nominal current IN	12 A
mm <sup>2</sup> /AWG/kcmil	

**cULus Recognized**

## Base strip - EMSTBA 2,5/ 2-G-5,08 - 1880300

accessories

### Coding element

CR-MSTB - 1734401



---

### Mounting material

EMSTBVA 2,5-SS-1-5,08 - 1877216



---

EMSTBVA 2,5-SS-2-5,08 - 1877229

---

### Labeled terminal marker

SK 5,08/3,8:FORTL.ZAHLEN - 0804293



---

### Filler plug

MSTB-BL - 1755477



# Base strip - EMSTBA 2,5/ 2-G-5,08 - 1880300

accessories

---

accessories

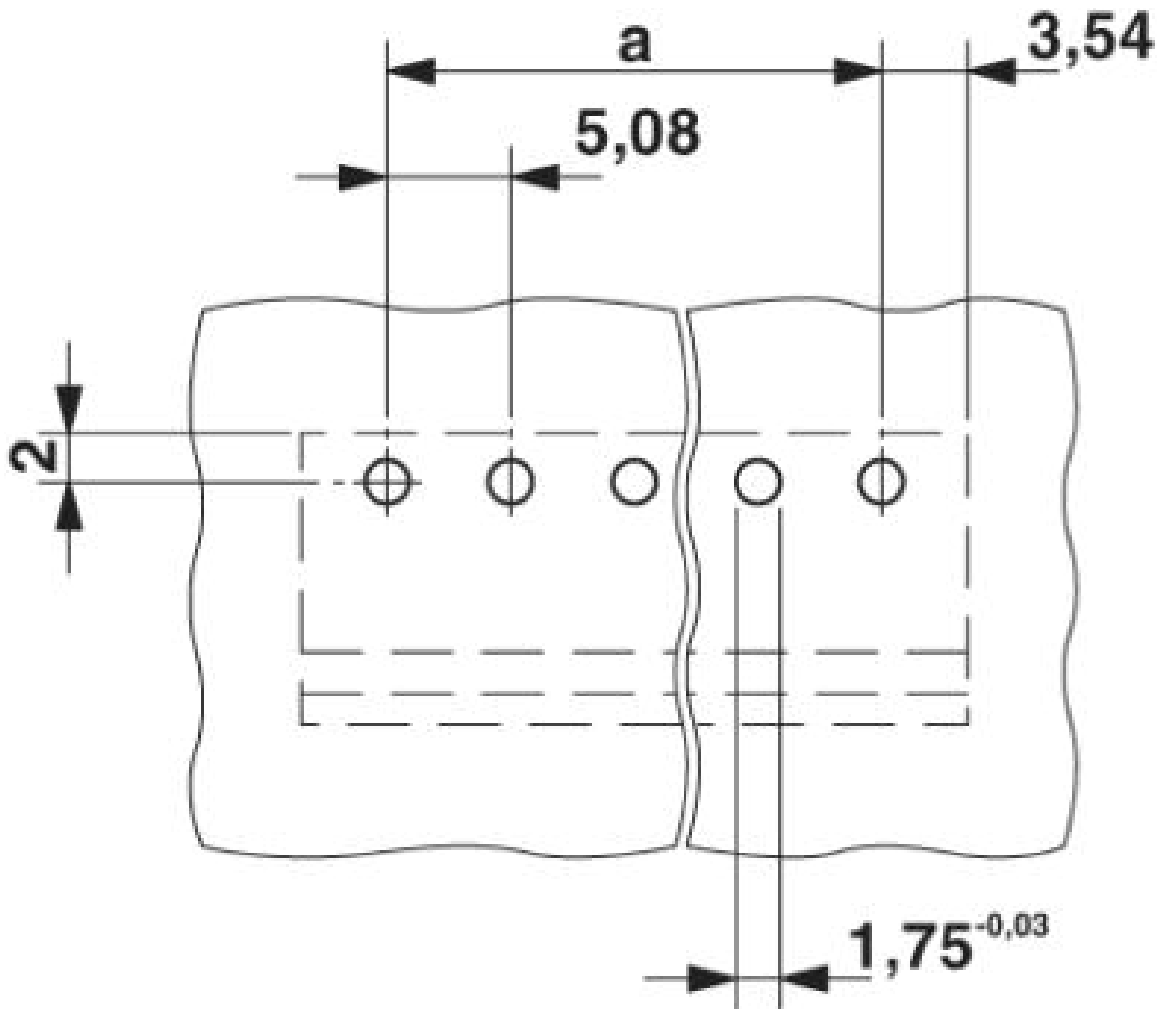
EMSTB 2,5-SH - 1877203



---

## Drawings

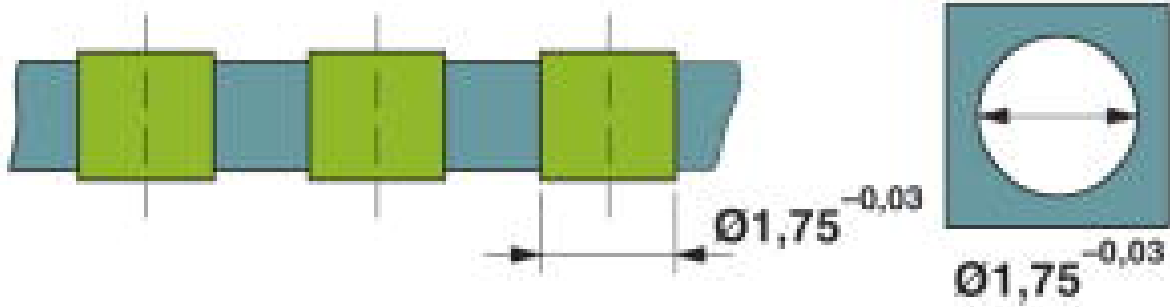
Drilling diagram



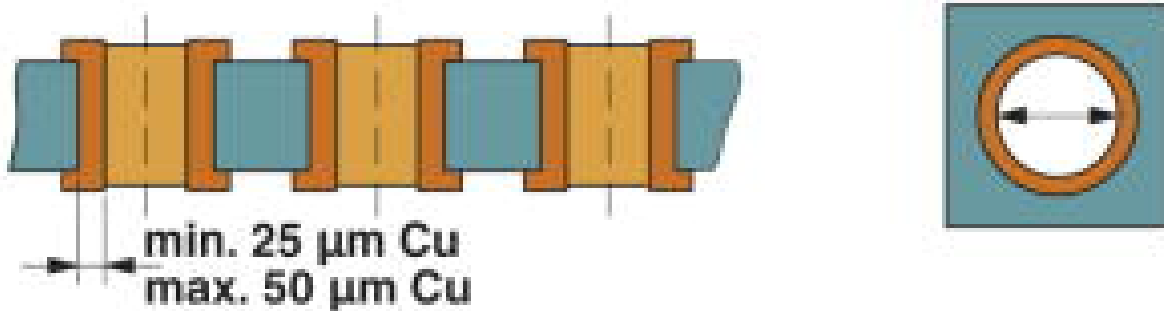
# Base strip - EMSTBA 2,5/ 2-G-5,08 - 1880300

Drilling diagram

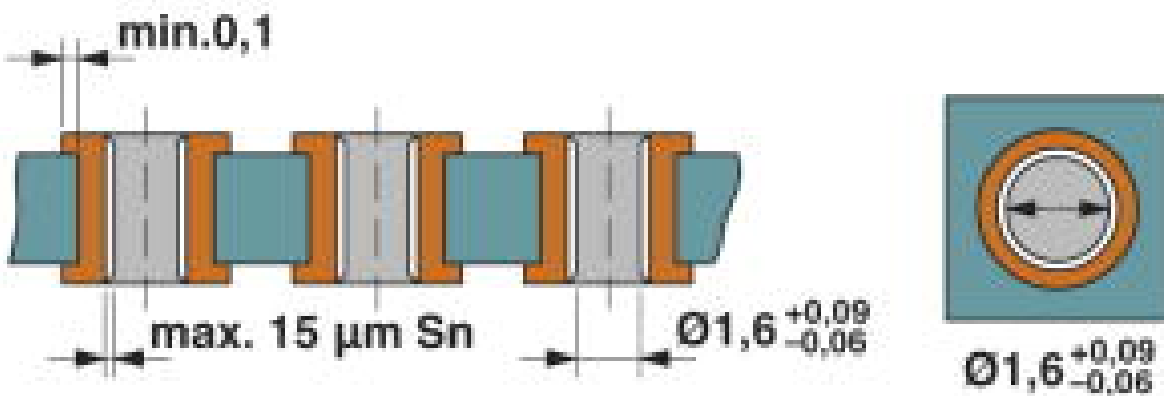
1)



2)

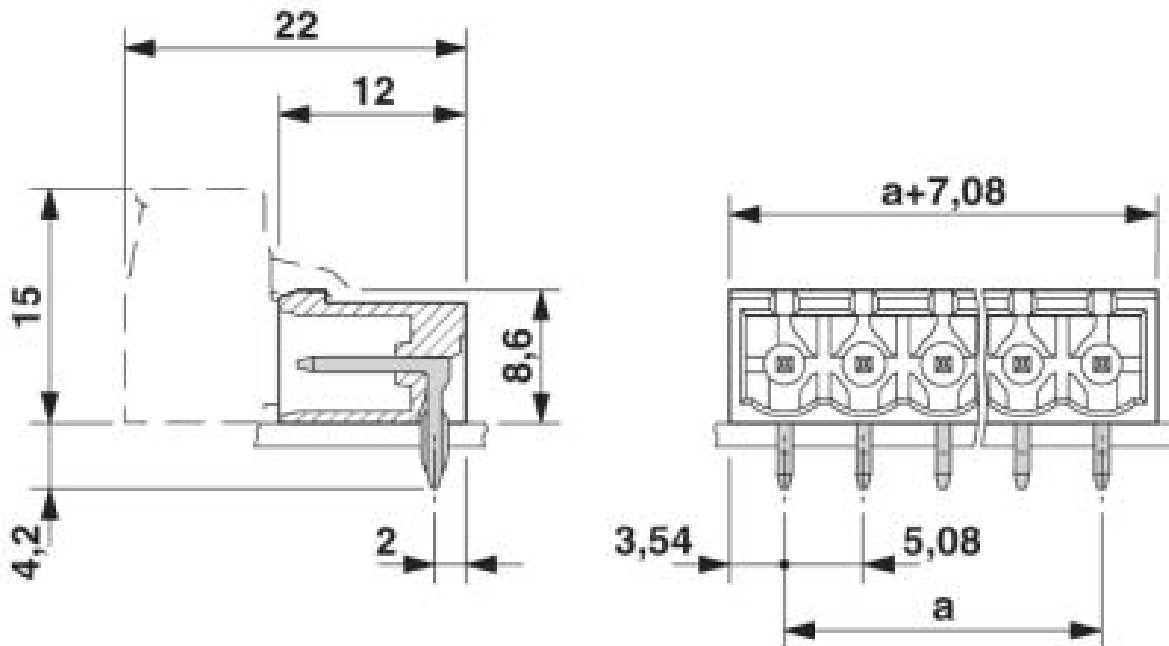


3)



# Base strip - EMSTBA 2,5/ 2-G-5,08 - 1880300

Dimensioned drawing



© Phoenix Contact 2014 - all rights reserved  
<http://www.phoenixcontact.com>