

# Base strip - MSTB 2,5/10-GF-5,08 - 1776582

Please be informed that the data shown in this PDF Document is generated from our Online Catalog. Please find the complete data in the user's documentation. Our General Terms of Use for Downloads are valid (<http://download.phoenixcontact.com>)



Header, Nominal current: 12 A, Rated voltage (III/2): 320 V, Number of positions: 10, Pitch: 5.08 mm, Color: green, Contact surface: Tin, Assembly: Soldering

The figure shows a 10-position version of the product

## Product Features

- Other pin lengths available on request
- Plug-in direction parallel to the conductor axis
- W type with stand-off
- Standard pin strip for 320 V (III/2)

## Key commercial data

package_quantity	100
GTIN	4017918038755

## Technical data

### Dimensions

Length	12 mm
Pitch	5.08 mm
Dimension a	45.72 mm
Pin dimensions	1 x 1 mm
Hole diameter	1.4 mm

### General

Range of articles	MSTB 2,5/..-GF
Insulating material group	IIIa
Rated surge voltage (III/3)	4 kV
Rated surge voltage (III/2)	4 kV
Rated surge voltage (II/2)	4 kV
Rated voltage (III/3)	250 V
Rated voltage (III/2)	320 V
Rated voltage (II/2)	400 V
Connection in acc. with standard	EN-VDE
Nominal current I <sub>N</sub>	12 A
Maximum load current	12 A
Insulating material	PBT

# Base strip - MSTB 2,5/10-GF-5,08 - 1776582

## Technical data

### General

<b>Inflammability class according to UL 94</b>	V0
<b>Color</b>	green
<b>Number of positions</b>	10

## classifications

### eCl@ss

<b>eCl@ss 4.0</b>	272607xx
<b>eCl@ss 4.1</b>	27260701
<b>eCl@ss 5.0</b>	27260701
<b>eCl@ss 5.1</b>	27260701
<b>eCl@ss 6.0</b>	27260704
<b>eCl@ss 7.0</b>	27440402
<b>eCl@ss 8.0</b>	27440402

### ETIM

<b>ETIM 3.0</b>	EC001121
<b>ETIM 4.0</b>	EC002637
<b>ETIM 5.0</b>	EC002637


### UNSPSC

<b>UNSPSC 6.01</b>	30211810
<b>UNSPSC 7.0901</b>	39121409
<b>UNSPSC 11</b>	39121409
<b>UNSPSC 12.01</b>	39121409
<b>UNSPSC 13.2</b>	39121409

## approvals

CSA / UL Recognized / VDE Gutachten mit Fertigungsüberwachung / cUL Recognized / GOST / GL / RS / IECCEB Scheme / GOST / CSA / CCA / cULus Recognized /

### Approval details

		
<b>Usegroups</b>	<b>B</b>	<b>D</b>
Nominal voltage UN	300 V	300 V
Nominal current IN	15 A	10 A
mm <sup>2</sup> /AWG/kcmil		

# Base strip - MSTB 2,5/10-GF-5,08 - 1776582

approvals

**UL Recognized**

Usegroups	B	D
Nominal voltage UN	300 V	150 V
Nominal current IN	15 A	15 A
mm <sup>2</sup> /AWG/kcmil		

**VDE Gutachten mit Fertigungsüberwachung**

Nominal voltage UN	250 V
Nominal current IN	12 A
mm <sup>2</sup> /AWG/kcmil	

**cUL Recognized**

Usegroups	B	D
Nominal voltage UN	300 V	150 V
Nominal current IN	15 A	15 A
mm <sup>2</sup> /AWG/kcmil		

**GOST**

**GL**

Nominal voltage UN	250 V
Nominal current IN	8 A
mm <sup>2</sup> /AWG/kcmil	

**RS**

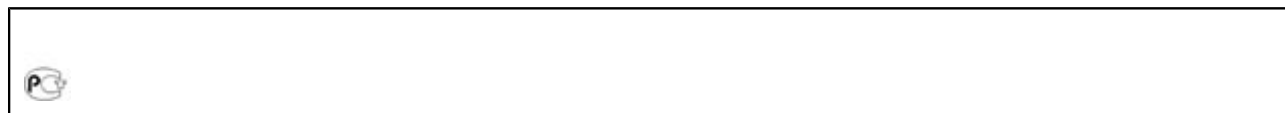
**IECEE CB Scheme**

Nominal voltage UN	250 V
Nominal current IN	12 A

# Base strip - MSTB 2,5/10-GF-5,08 - 1776582

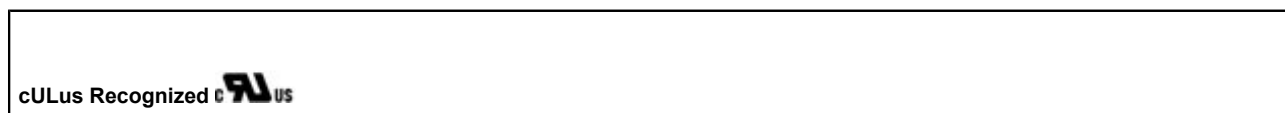
## approvals

mm²/AWG/kcmil	
---------------	--



Usegroups	B	D
Nominal voltage UN	300 V	300 V
Nominal current IN	15 A	10 A
mm²/AWG/kcmil		

<b>CCA</b>	
Nominal voltage UN	250 V
Nominal current IN	12 A
mm²/AWG/kcmil	



## accessories

### Filler plug

MSTB-BL - 1755477



### Coding element

CP-MSTB - 1734634



# Base strip - MSTB 2,5/10-GF-5,08 - 1776582

accessories

---

## Labeled terminal marker

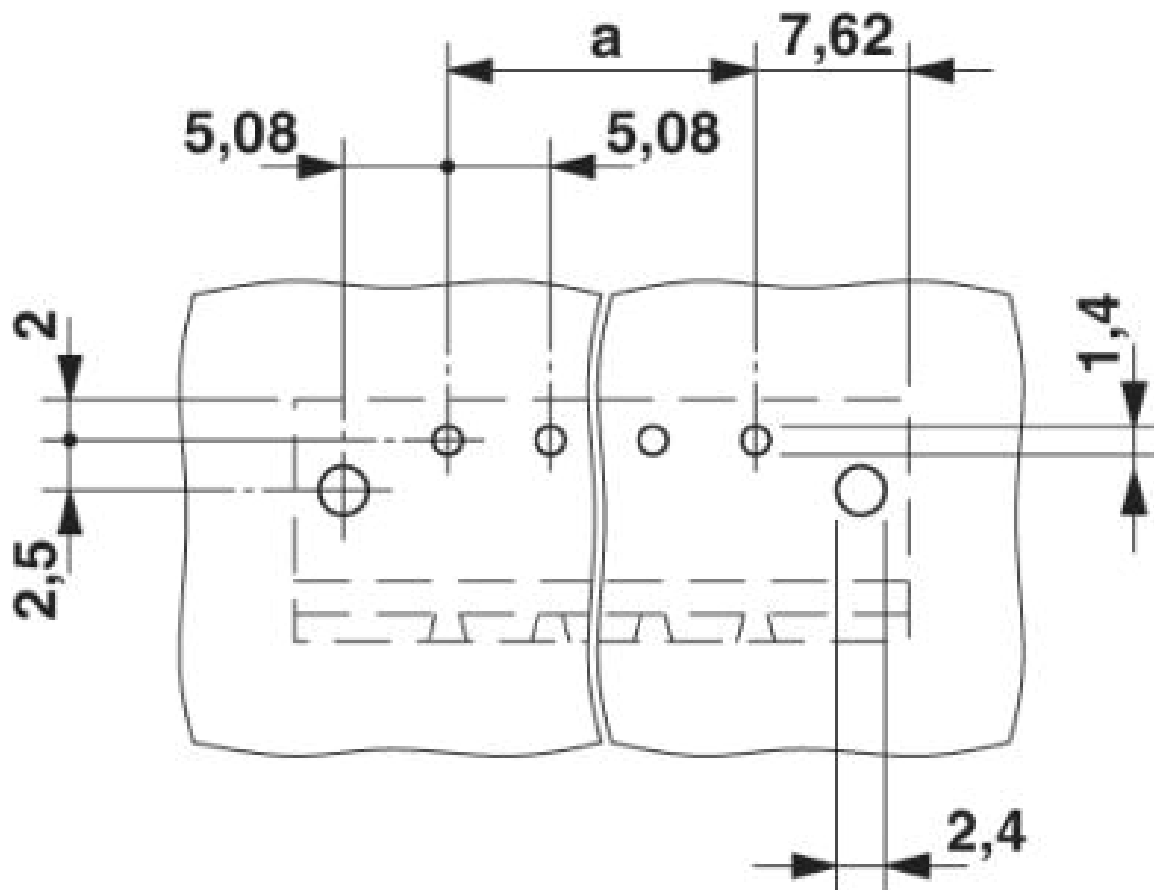
SK 5/3,8:FORTL.ZAHLEN - 0804183



---

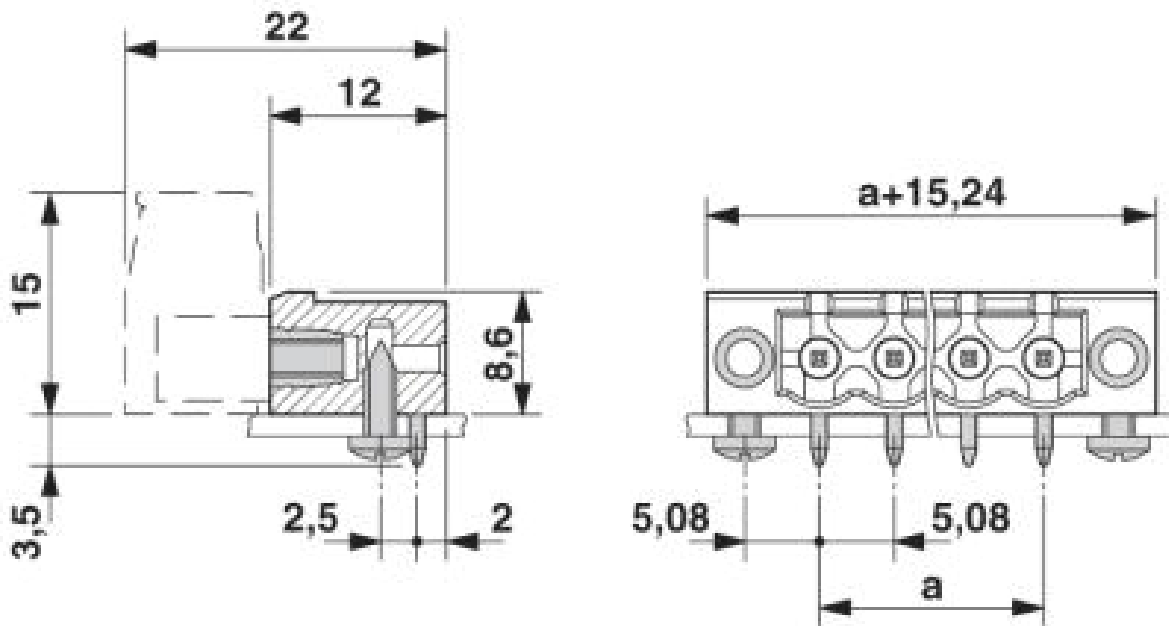
## Drawings

Drilling diagram



# Base strip - MSTB 2,5/10-GF-5,08 - 1776582

Dimensioned drawing



© Phoenix Contact 2014 - all rights reserved  
<http://www.phoenixcontact.com>