

# Base strip - MSTB 2,5/ 8-GF-5,08 - 1776566

Please be informed that the data shown in this PDF Document is generated from our Online Catalog. Please find the complete data in the user's documentation. Our General Terms of Use for Downloads are valid (<http://download.phoenixcontact.com>)



Header, Nominal current: 12 A, Rated voltage (III/2): 320 V, Number of positions: 8, Pitch: 5.08 mm, Color: green, Contact surface: Tin, Assembly: Soldering

The figure shows a 10-position version of the product

## Product Features

- Other pin lengths available on request
- Plug-in direction parallel to the conductor axis
- W type with stand-off
- Standard pin strip for 320 V (III/2)

## Key commercial data

|                  |               |
|------------------|---------------|
| package_quantity | 100           |
| GTIN             | 4017918038731 |

## Technical data

### Dimensions

|                |          |
|----------------|----------|
| Length         | 12 mm    |
| Pitch          | 5.08 mm  |
| Dimension a    | 35.56 mm |
| Pin dimensions | 1 x 1 mm |
| Hole diameter  | 1.4 mm   |

### General

|                                  |                 |
|----------------------------------|-----------------|
| Range of articles                | MSTB 2,5/...-GF |
| Insulating material group        | IIIa            |
| Rated surge voltage (III/3)      | 4 kV            |
| Rated surge voltage (III/2)      | 4 kV            |
| Rated surge voltage (II/2)       | 4 kV            |
| Rated voltage (III/3)            | 250 V           |
| Rated voltage (III/2)            | 320 V           |
| Rated voltage (II/2)             | 400 V           |
| Connection in acc. with standard | EN-VDE          |
| Nominal current I <sub>N</sub>   | 12 A            |
| Maximum load current             | 12 A            |
| Insulating material              | PBT             |

# Base strip - MSTB 2,5/ 8-GF-5,08 - 1776566

## Technical data

### General

|  |       |
|--|-------|
| <b>Inflammability class according to UL 94</b> | V0    |
| <b>Color</b>                                   | green |
| <b>Number of positions</b>                     | 8     |

## classifications

### eCl@ss

|                   |          |
|-------------------|----------|
| <b>eCl@ss 4.0</b> | 272607xx |
| <b>eCl@ss 4.1</b> | 27260701 |
| <b>eCl@ss 5.0</b> | 27260701 |
| <b>eCl@ss 5.1</b> | 27260701 |
| <b>eCl@ss 6.0</b> | 27260704 |
| <b>eCl@ss 7.0</b> | 27440402 |
| <b>eCl@ss 8.0</b> | 27440402 |

### ETIM

|                 |          |
|-----------------|----------|
| <b>ETIM 3.0</b> | EC001121 |
| <b>ETIM 4.0</b> | EC002637 |
| <b>ETIM 5.0</b> | EC002637 |


### UNSPSC

|                      |          |
|----------------------|----------|
| <b>UNSPSC 6.01</b>   | 30211810 |
| <b>UNSPSC 7.0901</b> | 39121409 |
| <b>UNSPSC 11</b>     | 39121409 |
| <b>UNSPSC 12.01</b>  | 39121409 |
| <b>UNSPSC 13.2</b>   | 39121409 |

## approvals

CSA / UL Recognized / VDE Gutachten mit Fertigungsüberwachung / cUL Recognized / GOST / GL / RS / IECCEB Scheme / GOST / CSA / CCA / cULus Recognized /

### Approval details

|   |          |          |
|---|----------|----------|
|  |          |          |
| <b>Usegroups</b>  | <b>B</b> | <b>D</b> |
| Nominal voltage UN  | 300 V    | 300 V    |
| Nominal current IN  | 15 A     | 10 A     |
| mm <sup>2</sup> /AWG/kcmil  |          |          |

# Base strip - MSTB 2,5/ 8-GF-5,08 - 1776566

approvals

**UL Recognized**

| Usegroups                  | B     | D     |
|----------------------------|-------|-------|
| Nominal voltage UN         | 300 V | 150 V |
| Nominal current IN         | 15 A  | 15 A  |
| mm <sup>2</sup> /AWG/kcmil |       |       |

**VDE Gutachten mit Fertigungsüberwachung**

|                            |       |
|----------------------------|-------|
| Nominal voltage UN         | 250 V |
| Nominal current IN         | 12 A  |
| mm <sup>2</sup> /AWG/kcmil |       |

**cUL Recognized**

| Usegroups                  | B     | D     |
|----------------------------|-------|-------|
| Nominal voltage UN         | 300 V | 150 V |
| Nominal current IN         | 15 A  | 15 A  |
| mm <sup>2</sup> /AWG/kcmil |       |       |

**GOST**

**GL**

|                            |       |
|----------------------------|-------|
| Nominal voltage UN         | 250 V |
| Nominal current IN         | 8 A   |
| mm <sup>2</sup> /AWG/kcmil |       |

**RS**

**IECEE CB Scheme**

|                    |       |
|--------------------|-------|
| Nominal voltage UN | 250 V |
| Nominal current IN | 12 A  |

# Base strip - MSTB 2,5/ 8-GF-5,08 - 1776566

## approvals

|               |  |
|---------------|--|
| mm²/AWG/kcmil |  |
|---------------|--|



|                    |          |          |
|--------------------|----------|----------|
|                    |          |          |
| <b>Usegroups</b>   | <b>B</b> | <b>D</b> |
| Nominal voltage UN | 300 V    | 300 V    |
| Nominal current IN | 15 A     | 10 A     |
| mm²/AWG/kcmil      |          |          |

|                    |       |
|--------------------|-------|
| <b>CCA</b>         |       |
| Nominal voltage UN | 250 V |
| Nominal current IN | 12 A  |
| mm²/AWG/kcmil      |       |



## accessories

### Filler plug

MSTB-BL - 1755477



### Labeled terminal marker

SK 5,08/3,8:FORTL.ZAHLEN - 0804293



# Base strip - MSTB 2,5/ 8-GF-5,08 - 1776566

accessories

---

## Coding element

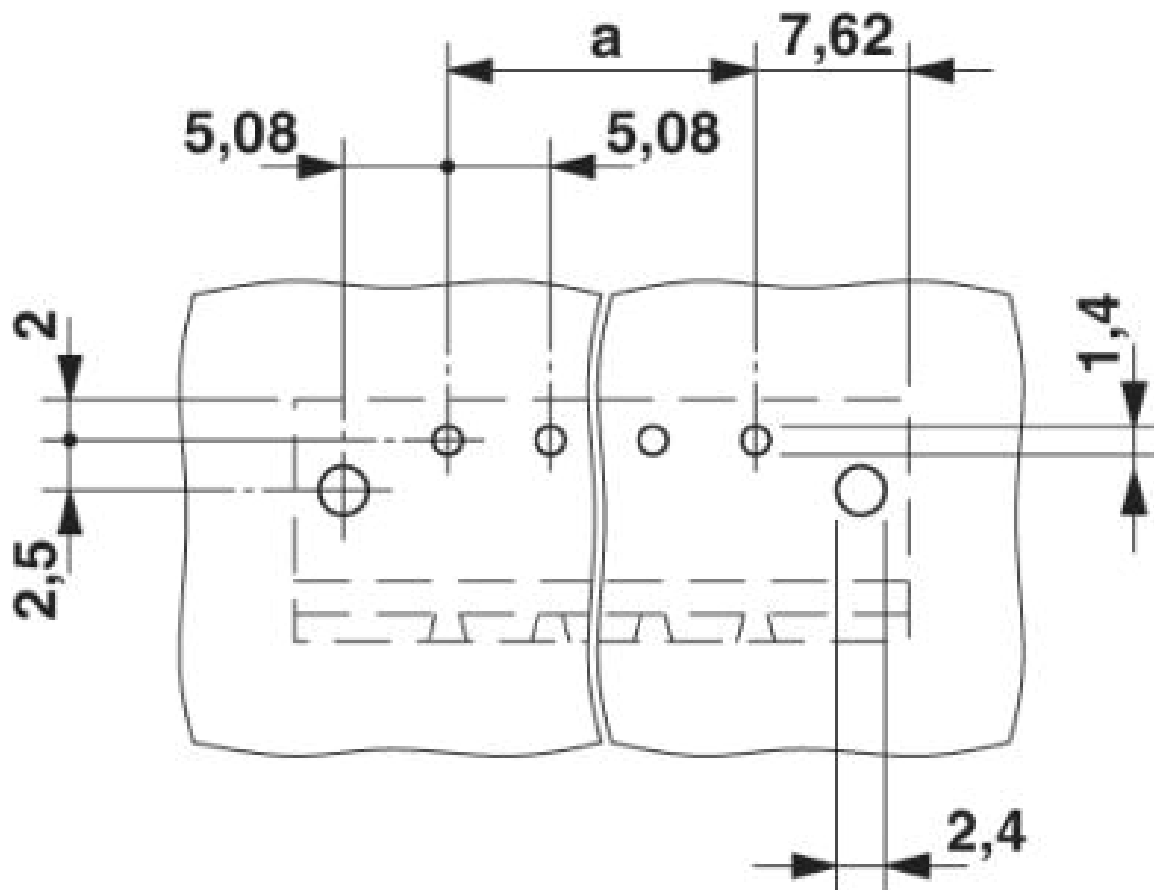
CR-MSTB - 1734401



---

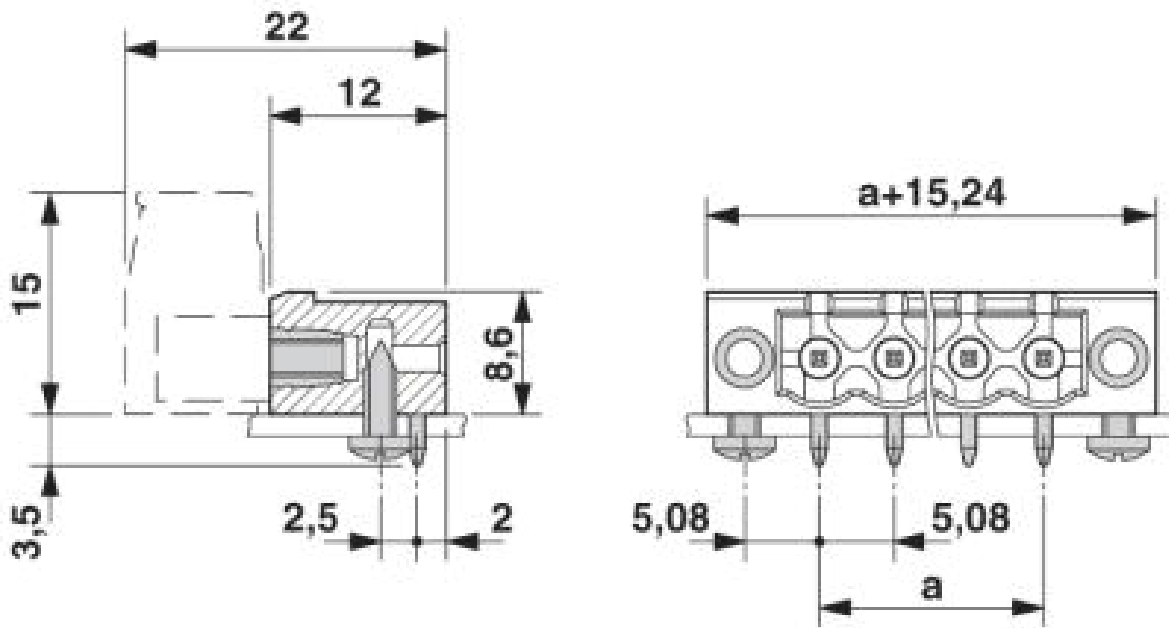
## Drawings

Drilling diagram



# Base strip - MSTB 2,5/ 8-GF-5,08 - 1776566

Dimensioned drawing



© Phoenix Contact 2014 - all rights reserved  
<http://www.phoenixcontact.com>