

## Panel feed-through terminal block - HDFK 10 - 0707073

Please be informed that the data shown in this PDF Document is generated from our Online Catalog. Please find the complete data in the user's documentation. Our General Terms of Use for Downloads are valid (<http://download.phoenixcontact.com>)



Panel feed-through terminal block, Connection method: Screw connection, Load current : 76 A, Cross section: 0.5 mm<sup>2</sup> - 16 mm<sup>2</sup>, AWG 20 - 8, Connection direction of the conductor to plug-in direction: 0 °, Width: 10.1 mm, Color: gray

### Key commercial data

package_quantity	50
GTIN	4017918003852

### Technical data

#### General

Number of levels	1
Number of connections	2
Color	gray
Insulating material	PA
Inflammability class according to UL 94	V0

#### General

Rated surge voltage	6 kV
Pollution degree	3
Surge voltage category	III
Insulating material group	I
Connection in acc. with standard	IEC 60947-7-1
Nominal current I <sub>N</sub>	57 A
Nominal voltage U <sub>N</sub>	400 V (With metal panels of 1 mm ... 2.5 mm)
Nominal voltage U <sub>N</sub>	250 V (With metal panels over 2.5 mm ... 4 mm)
Nominal voltage U <sub>N</sub>	400 V (With plastic panels of 1 mm ... 4 mm)
Open side panel	nein
Number of positions	1

#### Dimensions

Width	10.1 mm
-------	---------

#### Connection data

Connection side	Level 1 ext. 1
Connection method	Screw connection
Conductor cross section solid min.	0.5 mm <sup>2</sup>

# Panel feed-through terminal block - HDFK 10 - 0707073

## Technical data

### Connection data

Conductor cross section solid max.	16 mm <sup>2</sup>
Conductor cross section stranded min.	0.5 mm <sup>2</sup>
Conductor cross section stranded max.	10 mm <sup>2</sup>
Conductor cross section AWG/kcmil min.	20
Conductor cross section AWG/kcmil max	6
Conductor cross section stranded, with ferrule without plastic sleeve min.	0.5 mm <sup>2</sup>
Conductor cross section stranded, with ferrule without plastic sleeve max.	10 mm <sup>2</sup>
Conductor cross section stranded, with ferrule with plastic sleeve min.	0.5 mm <sup>2</sup>
Conductor cross section stranded, with ferrule with plastic sleeve max.	10 mm <sup>2</sup>
2 conductors with same cross section, solid min.	0.5 mm <sup>2</sup>
2 conductors with same cross section, solid max.	4 mm <sup>2</sup>
2 conductors with same cross section, stranded min.	0.5 mm <sup>2</sup>
2 conductors with same cross section, stranded max.	4 mm <sup>2</sup>
2 conductors with same cross section, stranded, ferrules without plastic sleeve, min.	0.5 mm <sup>2</sup>
2 conductors with same cross section, stranded, ferrules without plastic sleeve, max.	2.5 mm <sup>2</sup>
2 conductors with same cross section, stranded, TWIN ferrules with plastic sleeve, min.	0.5 mm <sup>2</sup>
2 conductors with same cross section, stranded, TWIN ferrules with plastic sleeve, max.	6 mm <sup>2</sup>
Cross section with insertion bridge, solid max.	10 mm <sup>2</sup>
Cross section with insertion bridge, stranded max.	10 mm <sup>2</sup>
Stripping length	10 mm
Internal cylindrical gage	B 6
Screw thread	M4
Tightening torque, min	1.5 Nm
Tightening torque max	1.8 Nm

## classifications

### eCl@ss

eCl@ss 4.0	27141131
eCl@ss 4.1	27141131
eCl@ss 5.0	27141134
eCl@ss 5.1	27141134
eCl@ss 6.0	27141134
eCl@ss 7.0	27141134
eCl@ss 8.0	27141134

### ETIM

# Panel feed-through terminal block - HDFK 10 - 0707073

## classifications

### ETIM

<b>ETIM 2.0</b>	EC001283
<b>ETIM 3.0</b>	EC001283
<b>ETIM 4.0</b>	EC001283
<b>ETIM 5.0</b>	EC001283


### UNSPSC


<b>UNSPSC 6.01</b>	30211811
<b>UNSPSC 7.0901</b>	39121410
<b>UNSPSC 11</b>	39121410
<b>UNSPSC 12.01</b>	39121410
<b>UNSPSC 13.2</b>	39121410


## approvals

CSA / UL Recognized / KEMA-KEUR / cUL Recognized / GOST / PRS / IECCE CB Scheme / GOST / cULus Recognized /

### Approval details

<b>CSA</b> 	
Nominal voltage UN	300 V
Nominal current IN	65 A
mm <sup>2</sup> /AWG/kcmil	22-6

<b>UL Recognized</b> 			
Usegroups	B	C	D
Nominal voltage UN	300 V	150 V	300 V
Nominal current IN	65 A	65 A	10 A
mm <sup>2</sup> /AWG/kcmil	24-6	24-6	24-6

<b>KEMA-KEUR</b> 	
Nominal voltage UN	250 V
Nominal current IN	57 A
mm <sup>2</sup> /AWG/kcmil	10

# Panel feed-through terminal block - HDFK 10 - 0707073

## approvals

cUL Recognized

Usegroups	B	C	D
Nominal voltage UN	300 V	150 V	300 V
Nominal current IN	65 A	65 A	10 A
mm <sup>2</sup> /AWG/kcmil	24-6	24-6	24-6

GOST

PRS

IECEE CB Scheme

Nominal voltage UN	250 V
Nominal current IN	57 A
mm <sup>2</sup> /AWG/kcmil	10

cULus Recognized

## accessories

### Terminal marking

ZB 8:UNBEDRUCKT - 1052002



### Screwdriver tools

# Panel feed-through terminal block - HDFK 10 - 0707073

## accessories

SZS 1,0X4,0 VDE - 1205066



---

## Bridge

EB 2-10 - 0203153



---

EB 3-10 - 0203328



---

EB 10-10 - 0203137

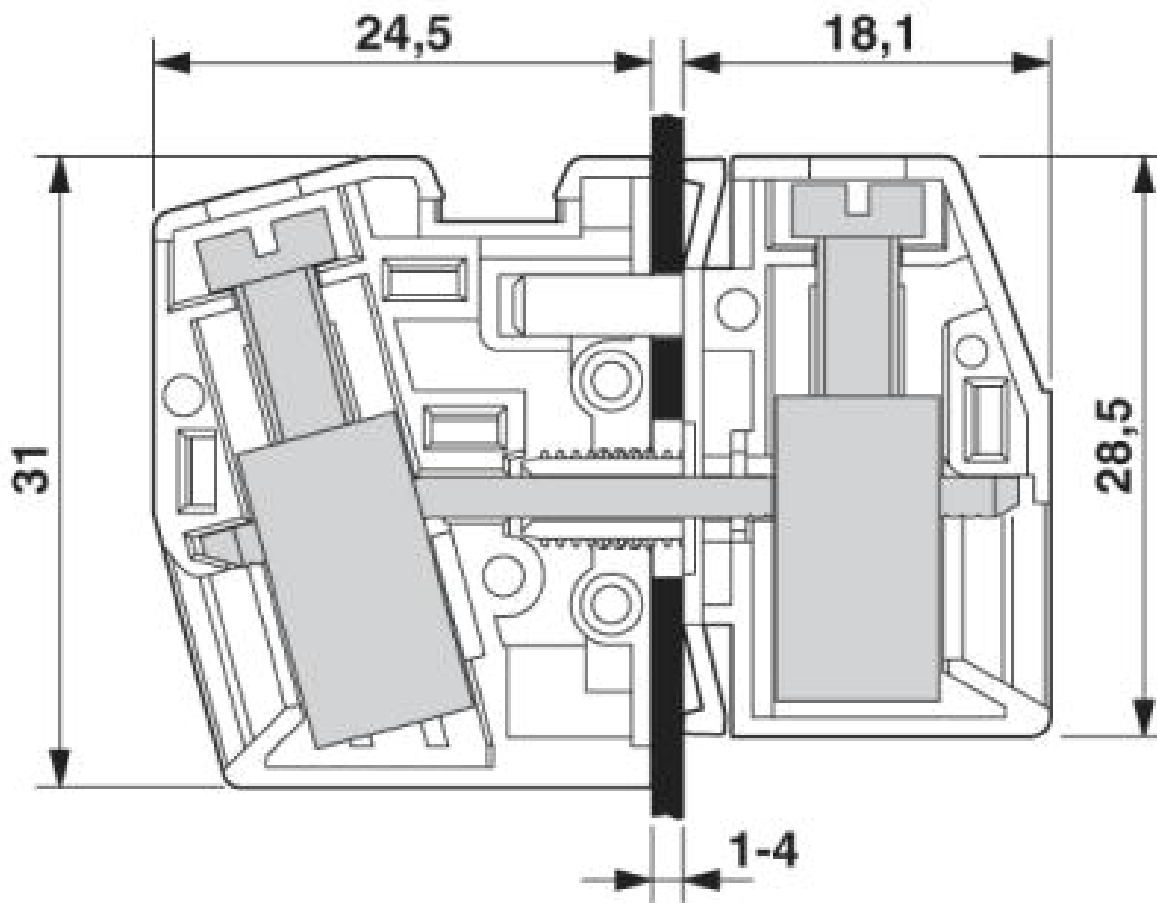


---

## Drawings

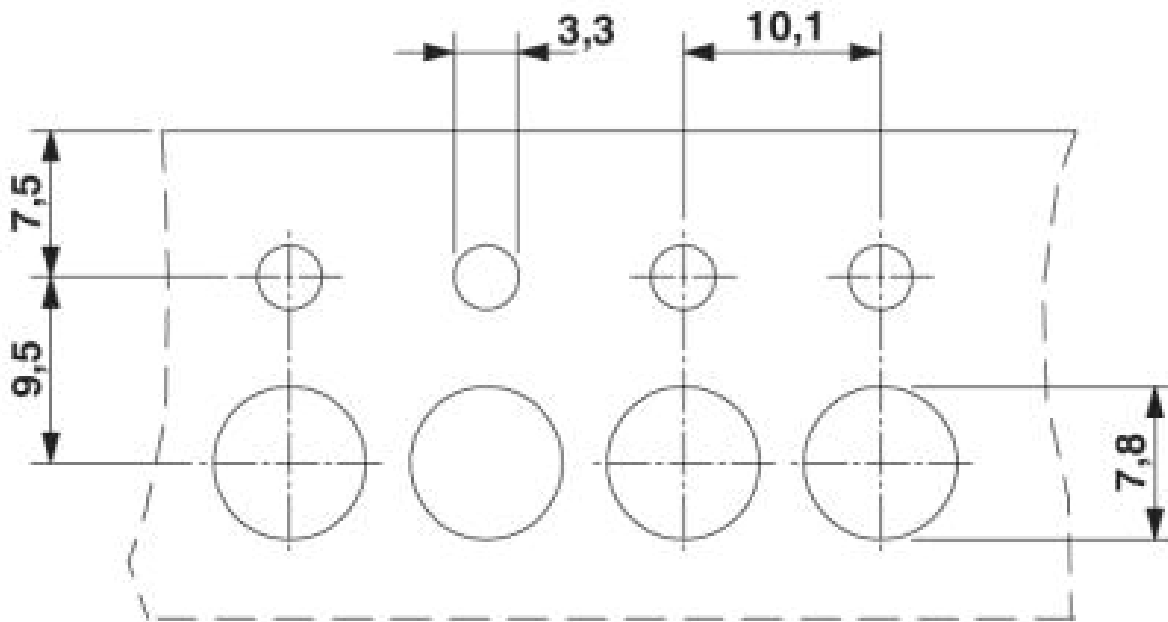
# Panel feed-through terminal block - HDFK 10 - 0707073

Dimensioned drawing



# Panel feed-through terminal block - HDFK 10 - 0707073

Dimensioned drawing



© Phoenix Contact 2014 - all rights reserved  
<http://www.phoenixcontact.com>