

Bolt connection terminal block - RBO 10 - 3244614

Please be informed that the data shown in this PDF Document is generated from our Online Catalog. Please find the complete data in the user's documentation. Our General Terms of Use for Downloads are valid (<http://download.phoenixcontact.com>)



Bolt connection terminal block, Connection method: Bolt connection, Number of positions: 1, Cross section: 6 mm² - 150 mm², AWG: 10 - 300, Width: 41 mm, Color: gray, Mounting type: NS 35/7,5, NS 35/15

Product Features

- Tested for railway applications

Key commercial data

package_quantity	10
GTIN	4046356583947

Technical data

General

Number of levels	1
Number of connections	2
Color	gray
Insulating material	PA
Inflammability class according to UL 94	V0
Area of application	Railway industry
Area of application	Mechanical engineering
Area of application	Plant engineering

General

Maximum load current	309 A (with 150 mm ² conductor cross section)
Rated surge voltage	8 kV
Pollution degree	3
Surge voltage category	III
Insulating material group	I
Connection in acc. with standard	IEC 60947-7-1
Nominal current I _N	309 A
Nominal voltage U _N	1000 V
Open side panel	nein
Number of positions	1
Surge voltage test setpoint	9.8 kV
Result of surge voltage test	Test passed
Power frequency withstand voltage setpoint	2.2 kV

Bolt connection terminal block - RBO 10 - 3244614

Technical data

General

Result of power-frequency withstand voltage test	Test passed
Checking the mechanical stability of terminal points (5 x conductor connection)	Test passed
Tight fit on carrier	NS 35
Setpoint	15 N
Result of tight fit test	Test passed
Requirements, voltage drop	≤ 3.2 mV
Result of voltage drop test	Test passed
Temperature-rise test	Test passed
Conductor cross section short circuit testing	150 mm ²
Short-time current	18 kA
Short circuit stability result	Test passed
Proof of thermal characteristics (needle flame) effective duration	30 s
Result of thermal test	Test passed
Test specification, oscillation, broadband noise	DIN EN 50155 (VDE 0115-200):2008-03
Test spectrum	Service life test category 1, class B, body mounted
Test frequency	f ₁ = 5 Hz to f ₂ = 150 Hz
ASD level	1.857 (m/s ²) ² /Hz
Acceleration	0.8 g
Test duration per axis	5 h
Test directions	X-, Y- and Z-axis
Oscillation, broadband noise test result	Test passed
Test specification, shock test	DIN EN 50155 (VDE 0115-200):2008-03
Shock form	Half-sine
Acceleration	5 g
Shock duration	30 ms
Number of shocks per direction	3
Test directions	X-, Y- and Z-axis (pos. and neg.)
Shock test result	Test passed
Temperature index, insulating material (DIN EN 60216-1 (VDE 0304-21))	130 °C
Static insulating material application in cold	-60 °C

Dimensions

Width	41 mm
Length	144 mm
Height NS 35/7,5	77 mm
Height NS 35/15	84.5 mm

Connection data

Note	Connection bolts
Connection in acc. with standard	IEC 60947-7-1

Bolt connection terminal block - RBO 10 - 3244614

Technical data

Connection data

Connection method	Bolt connection
Conductor cross section solid min.	6 mm ²
Conductor cross section solid max.	150 mm ²
Conductor cross section AWG/kcmil min.	10
Conductor cross section AWG/kcmil max	300
Conductor cross section stranded min.	6 mm ²
Conductor cross section stranded max.	150 mm ²
Min. AWG conductor cross section, stranded	10
Max. AWG conductor cross section, stranded	300
Min. cross section for cable lug connection	6 mm ²
Max. cross section for cable lug connection	150 mm ²
Screw thread	M10
Tightening torque, min	10 Nm
Tightening torque max	20 Nm

classifications

eCl@ss

eCl@ss 4.0	27141120
eCl@ss 4.1	27141120
eCl@ss 5.0	27141120
eCl@ss 5.1	27141120
eCl@ss 6.0	27141120
eCl@ss 7.0	27141120
eCl@ss 8.0	27141120

ETIM

ETIM 4.0	EC000897
ETIM 5.0	EC000897

UNSPSC

UNSPSC 6.01	30211811
UNSPSC 7.0901	39121410
UNSPSC 11	39121410
UNSPSC 12.01	39121410
UNSPSC 13.2	39121410

approvals


IECEX / ATEX / UL Recognized / GOST / CSA /


Approval details

Bolt connection terminal block - RBO 10 - 3244614


approvals

IECEX	
Nominal voltage UN	1100 V
Nominal current IN	309 A
mm ² /AWG/kcmil	6-150

ATEX 	
Nominal voltage UN	1100 V
Nominal current IN	309 A
mm ² /AWG/kcmil	6-150

UL Recognized 			
Usegroups	B	C	
Nominal voltage UN	600 V	600 V	1000 V
Nominal current IN	310 A	310 A	310 A
mm ² /AWG/kcmil	10-350	10-350	10-350

GOST 	
--	--

CSA 		
Usegroups	B	C
Nominal voltage UN	600 V	1000 V
Nominal current IN	310 A	310 A
mm ² /AWG/kcmil	10-350	10-350

accessories

Labeled device marker

Bolt connection terminal block - RBO 10 - 3244614

accessories

EML (51X25)R YE /RBO8 - 0801353



Cover

HC-RBO 10 - 3247970



HC-RBO 10 BU - 3247972



HC-RBO 10-FE - 3247971



Marker carriers

KLM 3-L - 0814788



Bridge

Bolt connection terminal block - RBO 10 - 3244614

accessories

RBO 10-VS 2 - 3244643



RBO 10-VS 3 - 3244656



Mounting rail

NS 35/ 7,5 PERF 2000MM - 0801733



NS 35/ 7,5 UNPERF 2000MM - 0801681



NS 35/ 7,5 WH PERF 2000MM - 1204119



Bolt connection terminal block - RBO 10 - 3244614

accessories

NS 35/ 7,5 WH UNPERF 2000MM - 1204122



NS 35/ 7,5 AL UNPERF 2000MM - 0801704



NS 35/ 7,5 ZN PERF 2000MM - 1206421



NS 35/ 7,5 ZN UNPERF 2000MM - 1206434



NS 35/ 7,5 CU UNPERF 2000MM - 0801762



NS 35/ 7,5 CAP - 1206560



Bolt connection terminal block - RBO 10 - 3244614

accessories

NS 35/15 PERF 2000MM - 1201730



NS 35/15 UNPERF 2000MM - 1201714



NS 35/15 WH PERF 2000MM - 0806602



NS 35/15 WH UNPERF 2000MM - 1204135



NS 35/15 AL UNPERF 2000MM - 1201756



Bolt connection terminal block - RBO 10 - 3244614

accessories

NS 35/15 ZN PERF 2000MM - 1206599



NS 35/15 ZN UNPERF 2000MM - 1206586



NS 35/15 CU UNPERF 2000MM - 1201895



NS 35/15 CAP - 1206573



NS 35/15-2,3 UNPERF 2000MM - 1201798



Terminal marking

Bolt connection terminal block - RBO 10 - 3244614

accessories

ZB 10:UNBEDRUCKT - 1053001



UC-TM 10 - 0818069



UCT-TM 10 - 0829142



ZBF10:UNBEDRUCKT - 0809997



UC-TMF 10 - 0818124



UCT-TMF 10 - 0829204



Bolt connection terminal block - RBO 10 - 3244614

accessories

Labeled terminal marker

ZB 10 CUS - 0824941



ZB10,LGS:FORTL.ZAHLEN - 1053014



ZB10,QR:FORTL.ZAHLEN - 1053027



ZB10,LGS:GLEICHE ZAHLEN - 1053030



ZB10,LGS:L1-N,PE - 1053412



Bolt connection terminal block - RBO 10 - 3244614

accessories

ZB10,LGS:U-N - 1053438



UC-TM 10 CUS - 0824605



UCT-TM 10 CUS - 0829623



ZBF10 CUS - 0825031



ZBF10,LGS:FORTL.ZAHLEN - 0810009



ZBF10,QR:FORTL.ZAHLEN - 0810025



Bolt connection terminal block - RBO 10 - 3244614

accessories

UC-TMF 10 CUS - 0824662



UCT-TMF 10 CUS - 0829679



Planning and marking software

CLIP-PROJECT ADVANCED - 5146040



CLIP-PROJECT PROFESSIONAL - 5146053



End block

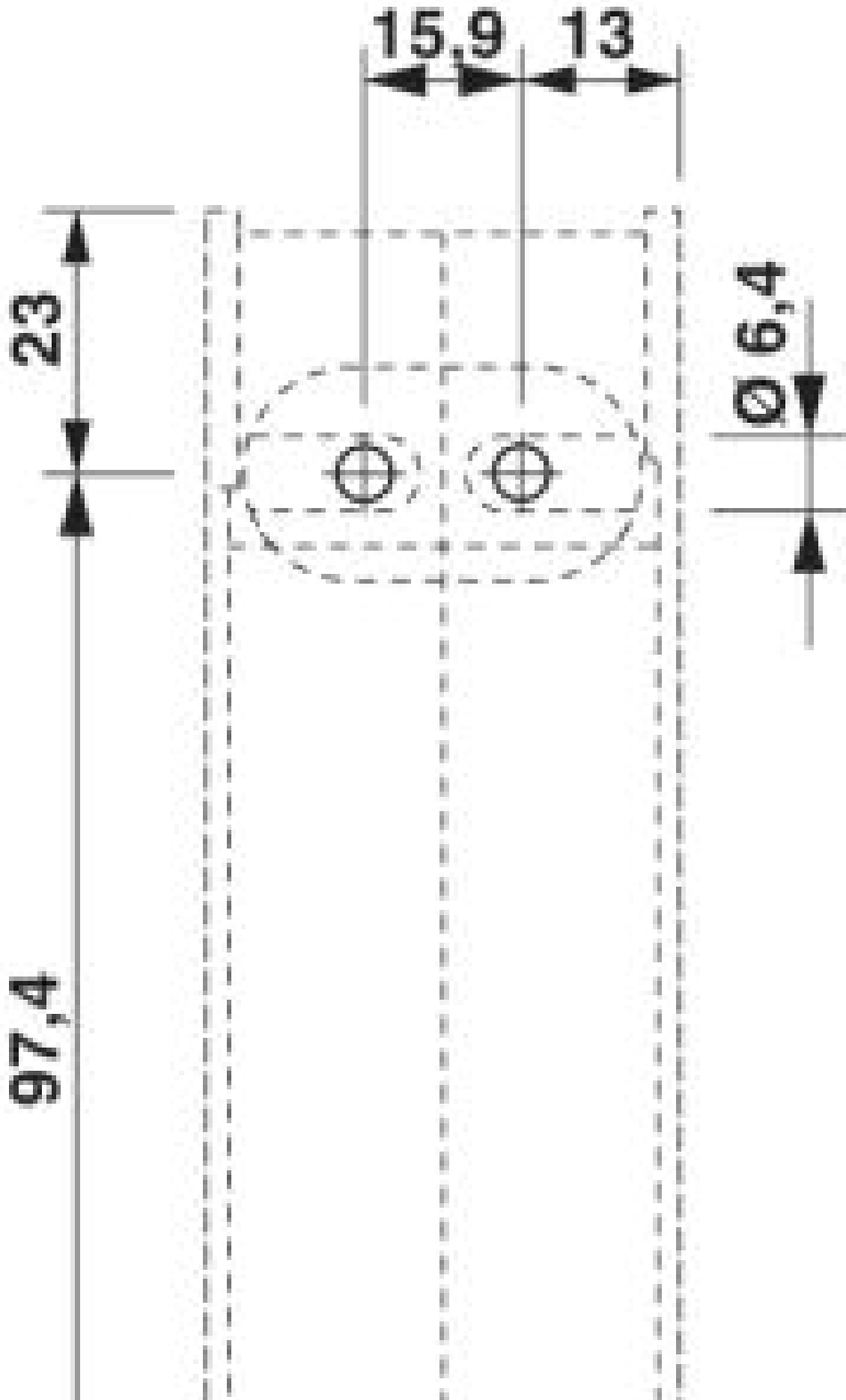
E/AL-NS 35 - 1201662



Drawings

Bolt connection terminal block - RBO 10 - 3244614

Dimensioned drawing



Bolt connection terminal block - RBO 10 - 3244614

Circuit diagram



© Phoenix Contact 2014 - all rights reserved
<http://www.phoenixcontact.com>